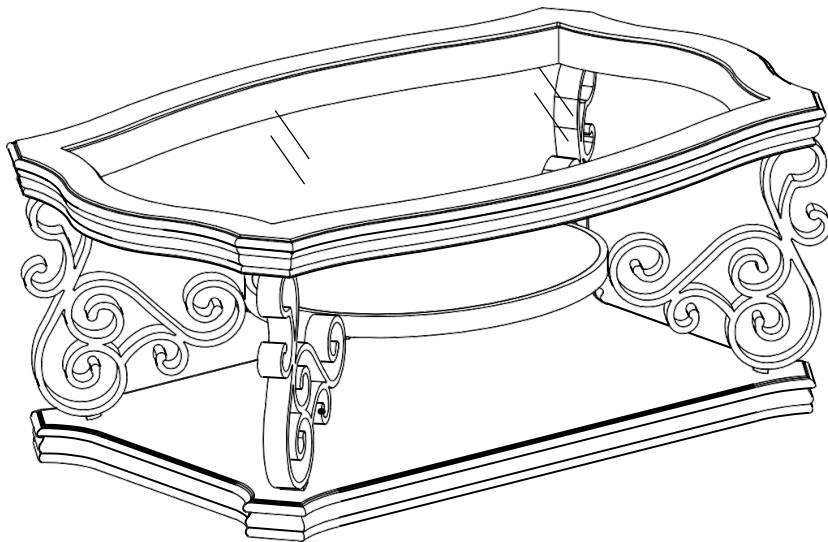


ASSEMBLY INSTRUCTIONS



Fine Furniture for every stage of life

Coffee Table

REVISION 0 : 06/26/2013
REVISION 1 : 03/01/2017
REVISION 2 : 07/11/2019

PAGE 1 OF 5

ASSEMBLY INSTRUCTIONS

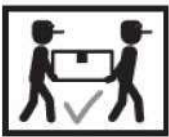
ASSEMBLY TIPS:

1. Remove hardware from box and sort by size
2. Please check to see that all hardware and parts are present prior to start of assembly
3. Please follow attached instructions in the same sequence as numbered to assure fast & easy assembly.

WARNING!







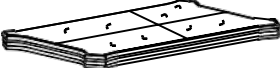
1. Don't attempt to repair or modify parts that are broken or defective. Please contact the store immediately.
2. This product is for home use only and not intended for commercial establishments.



ASSEMBLY TIME

5 MINUTES

PARTS IDENTIFICATION

AV	TOP		1PC
BV	GLASS		1PC
CV	METAL LEG		4PCS
DV	SHELF		1PC
EV	BASE		1PC

ASSEMBLY INSTRUCTIONS

ASSEMBLY TIPS:

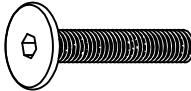


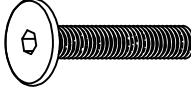




1. Remove hardware from box and sort by size
2. Please check to see that all hardware and parts are present prior to start of assembly
3. Please follow attached instructions in the same sequence as numbered to assure fast & easy assembly.

WARNING!



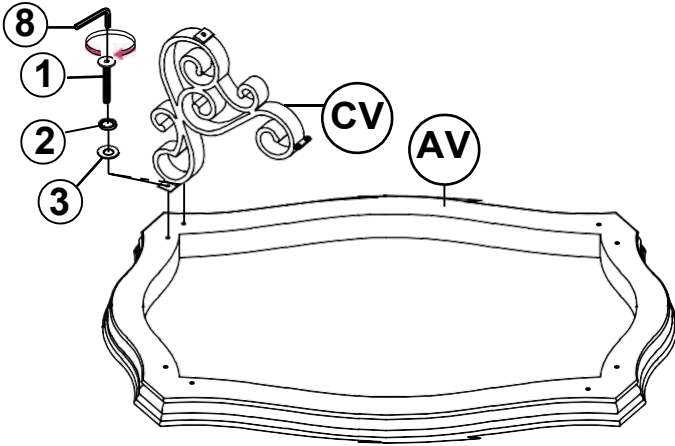
1. Don't attempt to repair or modify parts that are broken or defective. Please contact the store immediately.
2. This product is for home use only and not intended for commercial establishments.

HARDWARE IDENTIFICATION

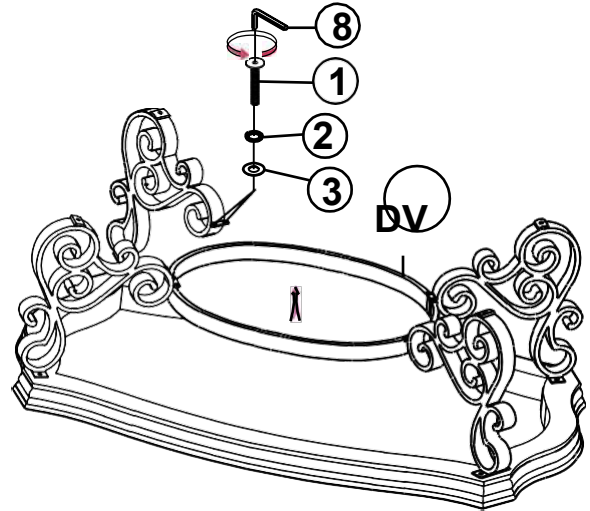
1	SHORT BOLT (M6 x 20mm - RBW)		16PCS
2	SMALL LOCK WASHER (M6 - RBW)		16PCS
3	SMALL FLAT WASHER (M6 - RBW)		16PCS
4	LONG BOLT (M8 x 25mm - RBW)		4PCS
5	BIG LOCK WASHER (M8 - RBW)		4PCS
6	BIG FLAT WASHER (M8 - RBW)		4PCS
7	LEVELER		4PCS
8	ALLEN WRENCH (M4 - BLK)		1PC

ASSEMBLY INSTRUCTIONS

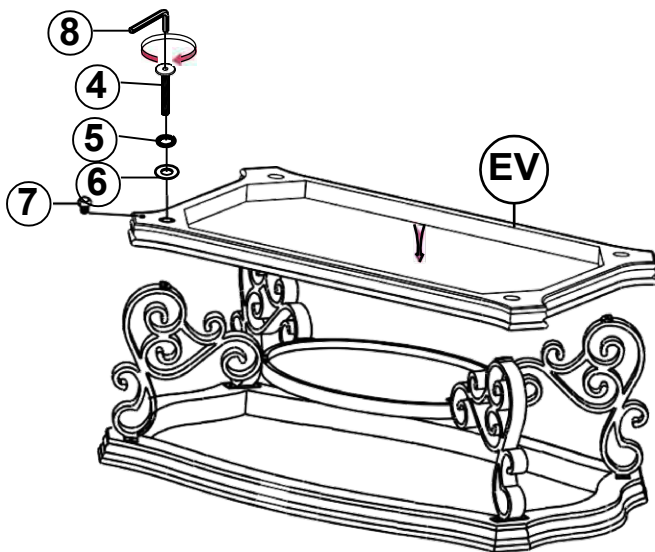
STEP 1



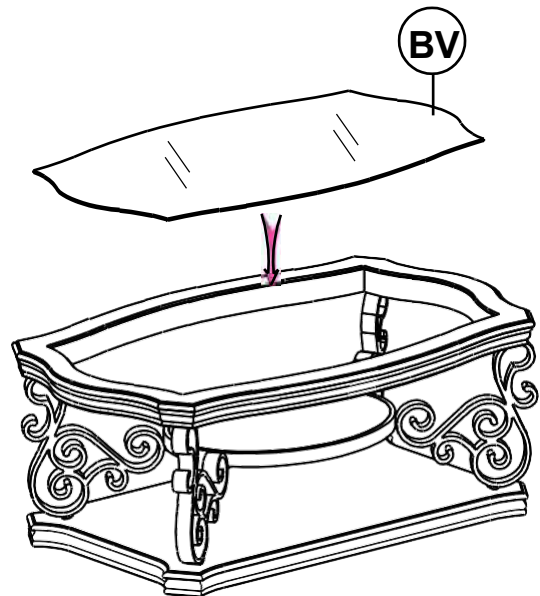
STEP 2



STEP 3

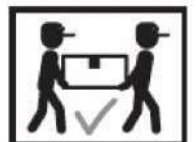
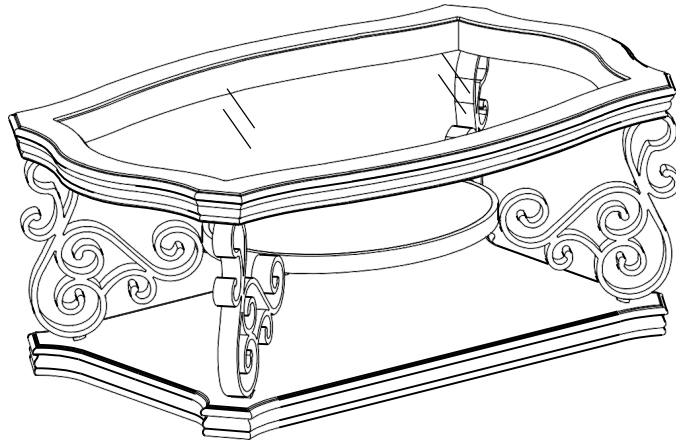


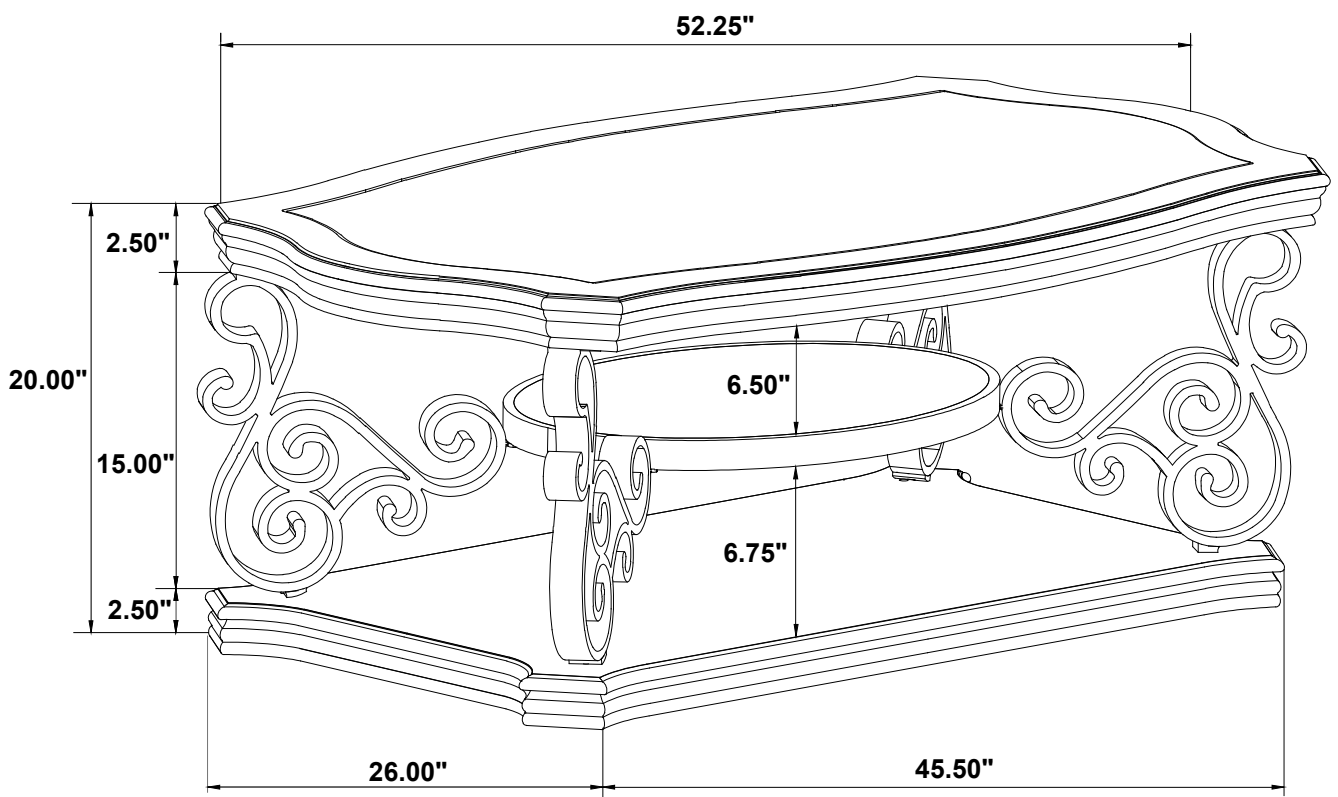
STEP 4



ASSEMBLY INSTRUCTIONS

STEP 5 COMPLETE





Note: Dimension tolerance $\pm 5\%$