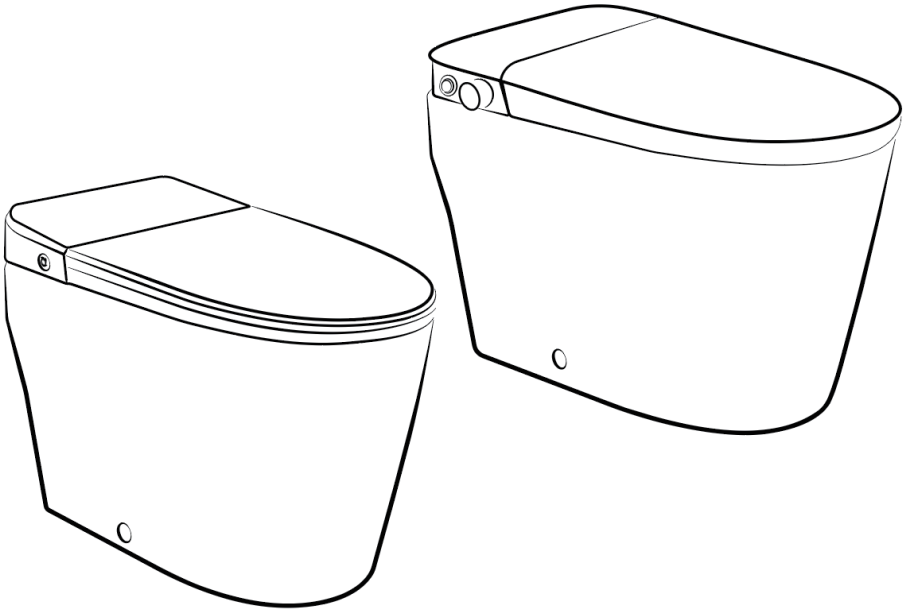




LOS FLEXI
CRAFTING YOUR HOME STORY



Non-Electric Toilet

INSTALLATION & USER GUIDE

cs@losflexi.com

www.losflexi.com

(+1) 662-502-5099

SAFETY

Before using the product, please read the following safety instructions carefully. Pay attention to the following safety warnings.

We will not be responsible for any loss due to violation of either requirement below.

- Qualification of installation person: The product should be installed by a specially trained qualified plumber.
- Before installing the product, please read the safety instructions right below and those in other parts of this manual. Please install the product as instructed in this manual. We will not be responsible for any adverse consequence due to a change of the installation method.

SYMBOLS DESCRIPTION

Symbol Description



Inspect tightness



Caution! A low risk possibly causing a light injury.



Kind reminder



CAUTION!

Please avoid faults or damage of the product due to misoperation.

- Do not use industrial water, circulating water, sea water or waste water as the water source of the product. Please use a water source meeting the hygiene requirements for domestic drinking water.
- When installing the product, please abide by all the local regulations on water supply and drainage, and buildings to avoid safety hazards.
- When using the product, make sure the water supply pressure and the water supply flow are 0.1MPa to 0.86MPa (15PSI to 125PSI) and equal to or more than 9L/min(2.4gal/min), respectively, to ensure thorough flushing.
- Make sure that the water temperature is 39.2°F to 95°F and that the bathroom temperature is above 39.2°F.
- Do not bend, squeeze or wind the water supply pipe excessively.
- Do not use benzene, paint thinner, cleaning powder or nylon brush but a thinned neutral detergent to clean the product.
- Do not use an old hose repeatedly. Please use the new hose provided with the product.
- Do not strike the ceramic violently.
- Do not put the product upside down.
- Before installation, water-proof treatment should be done for the bathroom's floor and walls.
- To avoid product surface scratches, please remove the electrostatic film on the product after its installation.

PRIOR TO INSTALLATION:

CAUTION!

Please avoid faults or damage of the product due to misoperation.

- The product is made of ceramic. Handle it gently in installation. Do not fix the ceramic with cement, otherwise the product will tend to get damaged; do not lock the nuts too tightly, otherwise the product may get damaged or crack.
- After installation, do a water supply test first.
- Leaning on the top cover when using the product may damage it.
- When moving or installing the product, hold its body with hands. If only its top cover and seat are held, they may separate from the body and cause injuries.
- Keep the product from direct sunlight to avoid its discoloration.
- Do not put any article tending to make the product clogged, such as newspaper, paper diaper or sanitary pad, into the product.

KIND REMINDER!

- All dimensions are nominal! Be sure to measure you toilet prior to installation.
- Observe all plumbing and building codes in accordance with your state and local requirements.
- Before installation, please ensure all protective foam pieces are removed from the rear interior of the toilet.
- The product has taken a water supply test before delivery. Therefore, it is normal that a few water drops flow out of it when it is being taken out of the packing box.

TOOLS & MATERIALS REQUIRED (Not Supplied)



Tape Measure



Pencil



Screwdriver



Wrench

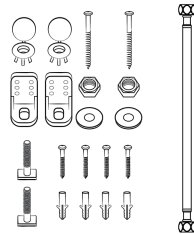
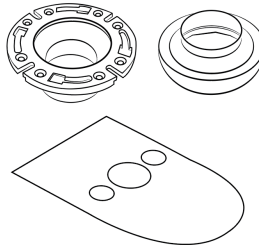
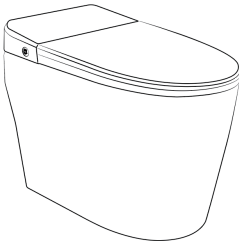


Drill

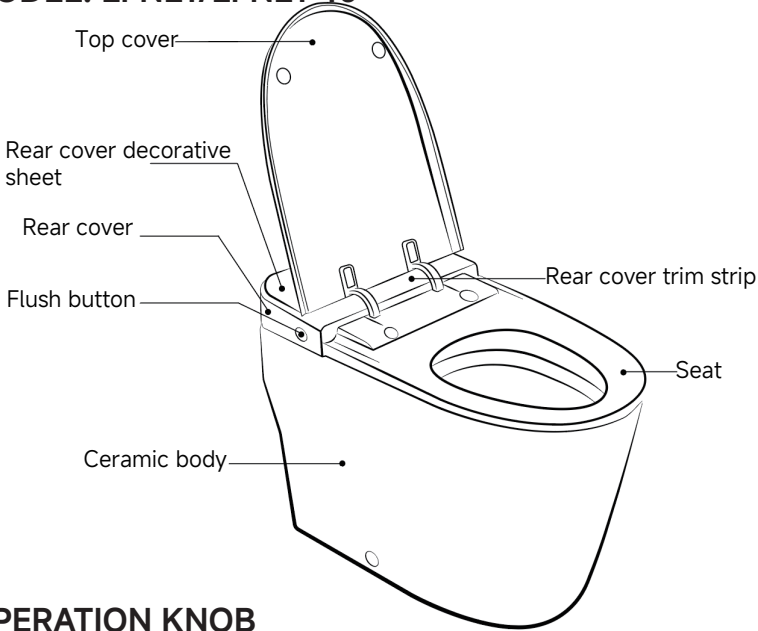


Caulk





PACKAGE INCLUDED



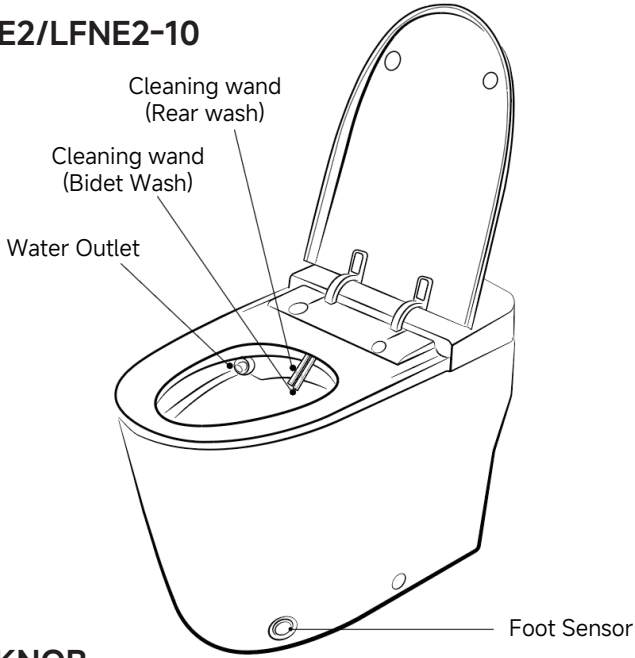
MODEL: LFNE1/LFNE1-10



OPERATION KNOB

| Function | Symbol | Operation | Remarks |
|----------|---|---|---|
| Flushing |  | Press the flush button.  | / |
| |  | Kick the flush button on the toilet body.  | A short kick doesn't generate enough flushing power; a longer kick is needed for continuous flushing. |

MODEL: LFNE2/LFNE2-10

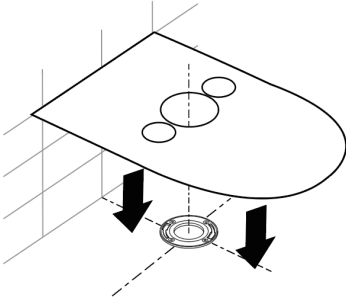


OPERATION KNOB

| Function | Symbol | Operation | Remarks |
|----------------|--------|---|---|
| Bidet Function | | Turn the knob forward to activate the bidet function. | Both Bidet and Rear washes use non-heated, ambient water. The water flow intensity is preset and cannot be modified. |
| Rear Wash | | Turn the knob backward for rear washing. | To suspend or stop the water flow, simply turn the control knob to the neutral (middle) position. |
| Flushing | | Press the flush button. | / |
| | | Kick the flush button on the toilet body. | A short kick doesn't generate enough flushing power; a longer kick is needed for continuous flushing. |

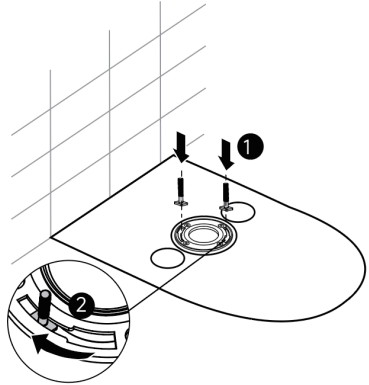
INSTALLATION

1



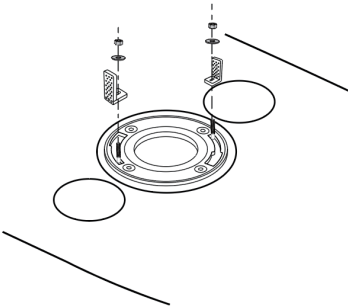
Align the mounting template with the floor to mark the location.

2



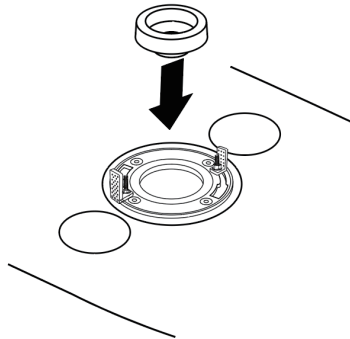
Insert the bolts into the designated slots on the mounting bracket so they are ready to receive the toilet base.

3



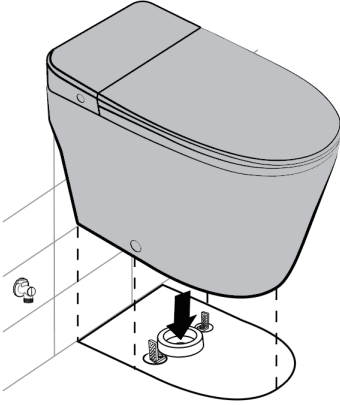
Assemble the fixing bolts and washers according to the illustration.

4



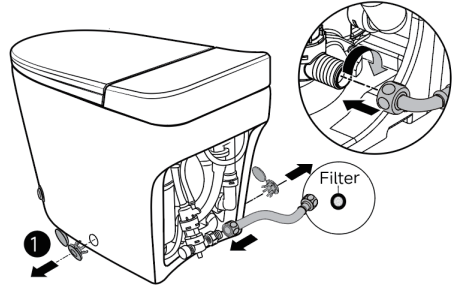
Place the wax ring onto the bracket, aligning it with the drain. Press gently to ensure a secure seal.

5



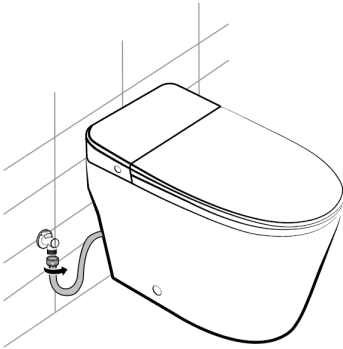
Install the toilet to the flange, and ensure that the bolts are aligned with the holes in the toilet. (from the top)

6



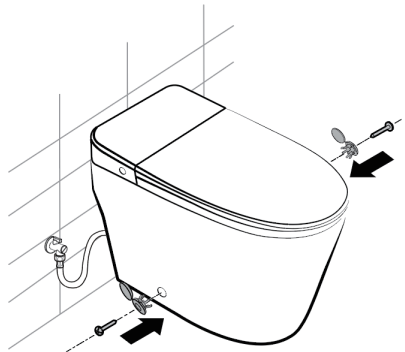
Install the side bolts and the toilet back connection hose in the order of the pictures.

7



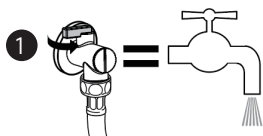
Connect the hose to the shutoff valve.


8

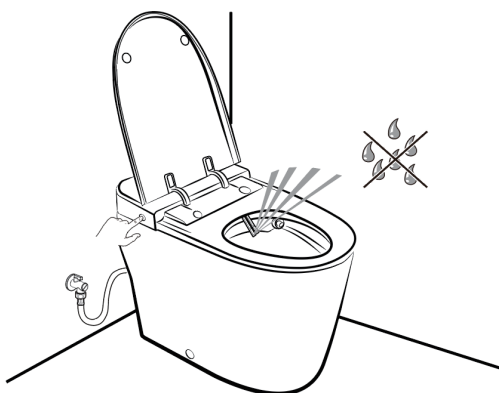



Install the decorative side covers.

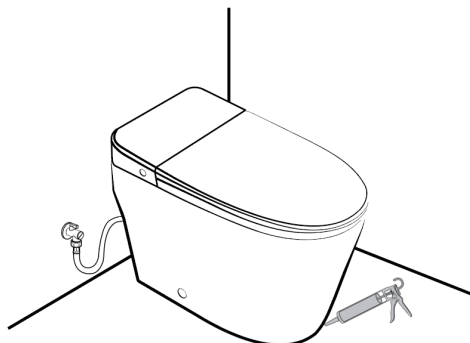
TEST BEFORE USING



- 2
-  Open the tee and press the flush button to test for any leakage.

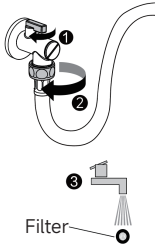


-  Make the product stand for 24hours before use.



CLEAN & MAINTENANCE

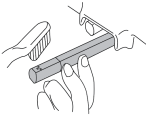
FILTER CLEANING



The filter needs to be cleaned at regular intervals. If the product fails in water supply, has a water supply pressure smaller than ordinary time or cannot work normally, please clean the filter first.

! In cleaning, make sure the water supply switch is off; after cleaning, mount the filter back and inspect and make sure there's no water leakage.

NOZZLE CLEANING



Pull out the jet pipe gently and pull it for at least 5 times. Hold the jet pipe gently and wipe it and the nozzle with soft cloth, sponge or small brush with some neutral detergent.

SURFACE CLEANING

Use a smooth sponge or a piece of soft cloth dipped with a proper amount of room temperature water or neutral detergent and then wrung out to wipe the product surface. When cleaning any other part of the product, lift the top cover and the seat. Do not lay down the to cover or the seat until the detergent in the product has been completely flushed away, otherwise the evaporated detergent may corrode the product surface.

WINTERIZATION

When in use, make sure the indoor temperature is not below 39.2°F. When the indoor temperature is below 39.2°F, stop using the product and operate as below.

- Turn off the angle valve to stop water supply. After that, drain the water in the tank to flush the product once.

! If the product is maintained before drainage, the product may damage and leak. If the product is moved from a cold place to a warm place, the water in it will condensate. In this case, make the product stand for a couple of hours before use.

TROUBLESHOOTING GUIDE

| Fault phenomenon | Cause analysis | Solution |
|-----------------------------|--------------------------------|---|
| Water leakage | Loose hose connector | Turn off the water supply switch and check whether the connector between it (or the product) and the hose is tightened. |
| Flushing failure | Abnormal water supply | Check whether the water supply switch is on and whether the filter is blocked. |
| Insufficient flushing force | Too low water supply pressure | Please make sure the water supply pressure is above 15PSI. |
| | Insufficient water in the tank | Please make sure the interval between each twice flushing is longer than 60s. |

WARNINGS

- When moving the product from a cold or humid environment to room temperature, please wait two hours until the condensed water is completely volatilized to prevent electrical short-circuiting.
- Do not place or store product where it can fall or be pulled into a tub or sink.
- Do not reach for an item that has fallen into the water.
- Heavy impact on ceramic leads to damage and water leakage.
- Never embed toilet base into cement, mortar or similar substances, this can lead to expansion cracking.
- Do not stand on seat, bowl or toilet lid.
- Do not use varnish thinners, gasoline, liquid chemicals, detergents, insecticides, toilet cleaners or scrubbing brushes, it may damage the product.
- Only use tap water or potable water to prevent chafing.
- Exposure to direct sunlight is not recommended.
- This product is equipped with a soft-close seat. Heavy pressing may damage the soft-close hinges.
- Do not lean against the toilet seat lid to avoid damage.
- Do not try flushing diapers, sanitary napkins or other unintended items to prevent clogging.
- If this product is malfunctioning, stop using immediately, turn off water supply, and contact Los Flexi customer service.
- Before installation, disassembly, repair or maintenance, unplug the power and turn off water supply.
- Do not use in an environment below 32°F.
- This product is not intended for children without adult supervision.
- This product is not intended for individuals with reduced physical, sensory, or mental capabilities.
- To prevent damage cause by freezing, please take measures to increase the temperature of the toilet.

LIMITED WARRANTY COVERAGE

ONE YEAR LIMITED WARRANTY

Los Flexi products are crafted with superior materials and impeccable workmanship, offering our customers reliable and long-lasting products. If defects in materials or craftsmanship are detected under standard use within the first one year of installation, Los Flexi will either supply replacement parts at no charge or, if deemed necessary, replace the product or its parts. This warranty is exclusive to the original purchaser, and proof of purchase is mandatory for any claim.

This Warranty Will Be Voided If:

- The product's installation did not follow our recommendations.
- The product was relocated from its initial installation site.
- The product underwent any modifications from its original condition.
- The product suffered from neglect, misuse, chemical overuse, accidents, or any other damages.

Los Flexi does not imply that our products adhere to local building or plumbing codes. Consumers must ascertain local code compliance before and during installation. This warranty is strictly for the original purchaser and first consumer.

Los Flexi won't be held responsible for any consequential damages linked to the product's installation, replacement, return, or usage. This includes, but is not limited to, freight charges, labor, downtime, home damages, and other associated costs (e.g., professional services, investigations, audits, legal fees).

This Los Flexi warranty clearly delineates our liability. Items not specified in this warranty fall outside Los Flexi's responsibility. In states with variations concerning implied warranties, our compliance is ensured.

For any queries or concerns, feel free to reach out to us at

Email: cs@losflexi.com
Site: www.losflexi.com
Voicemail : +1(662) 502-5099



SCAN FOR HIGH-RESOLUTION DIGITAL MANUAL