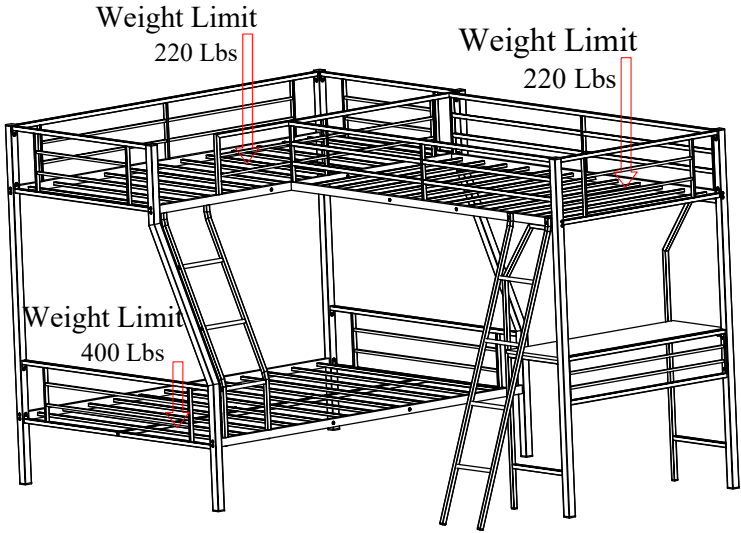


TWIN OVER FULL L-SHAPED BUNK & LOFT BED ASSEMBLY INSTRUCTIONS ITEM MF199801/199802



PLEASE DO NOT RETURN PRODUCT TO THE STORE

If you have any problem or concerns, please feel free to contact our customer service department. Please send your request to the following contact details according to the platform you purchased.



Walmart Platform:

E-mail : wmcscr@comptree.net

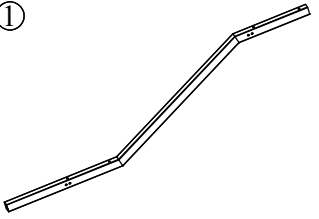
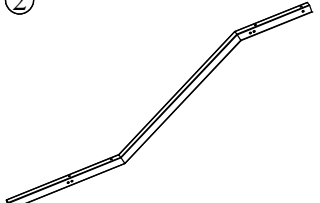
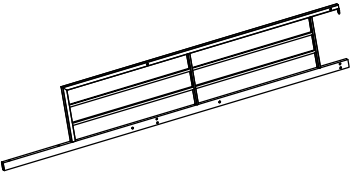
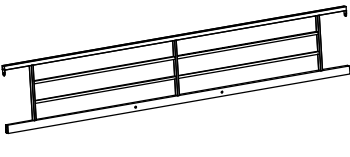

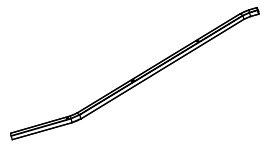
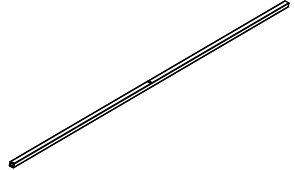
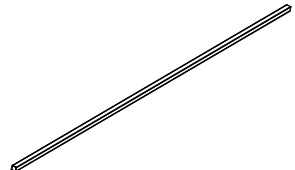
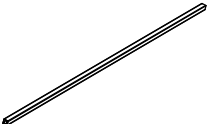
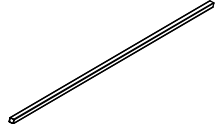
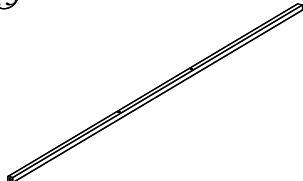
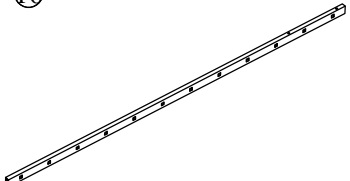
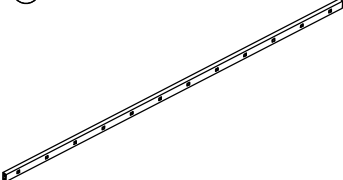
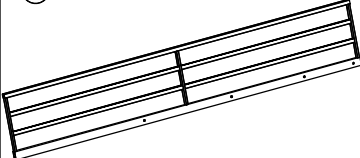
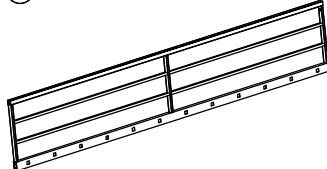
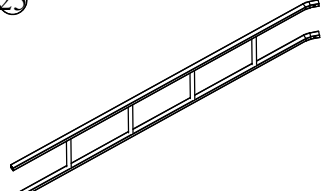
Tell: 626-912-8886 Ext. 100

Other (Amazon, Wayfair, Homedepot, Overstock etc.) Platform:

E-mail : csr@merax.com

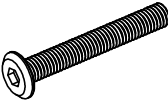
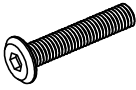
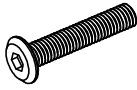
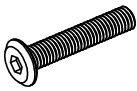
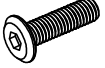
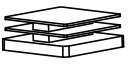

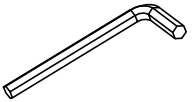
Tell: 626-912-8886 Ext. 100

PART LIST MF199801

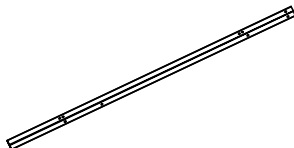
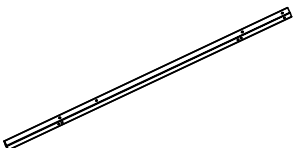
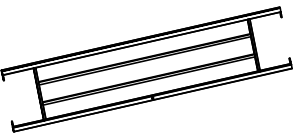
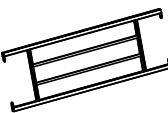
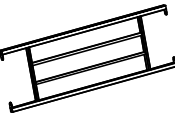
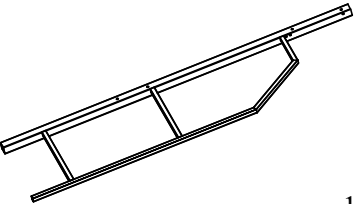
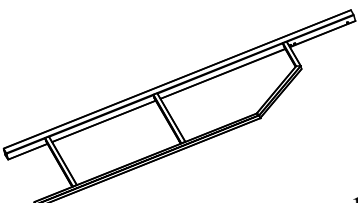

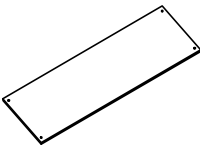
①  1PC	②  1PC	⑦  1PC	⑧  1PC
⑨  3PCS	⑩  2PCS	⑪  2PCS	⑫  10PCS
⑬  4PCS	⑭  20PCS	⑮  1PC	⑯  1PC
⑰  1PC	⑱  1PC	⑲  1PC	⑳  1PC

**TWIN OVER FULL L-SHAPED BUNK & LOFT BED
ASSEMBLY INSTRUCTIONS
ITEM MF199801/199802**

HARDWARE LIST MF199801

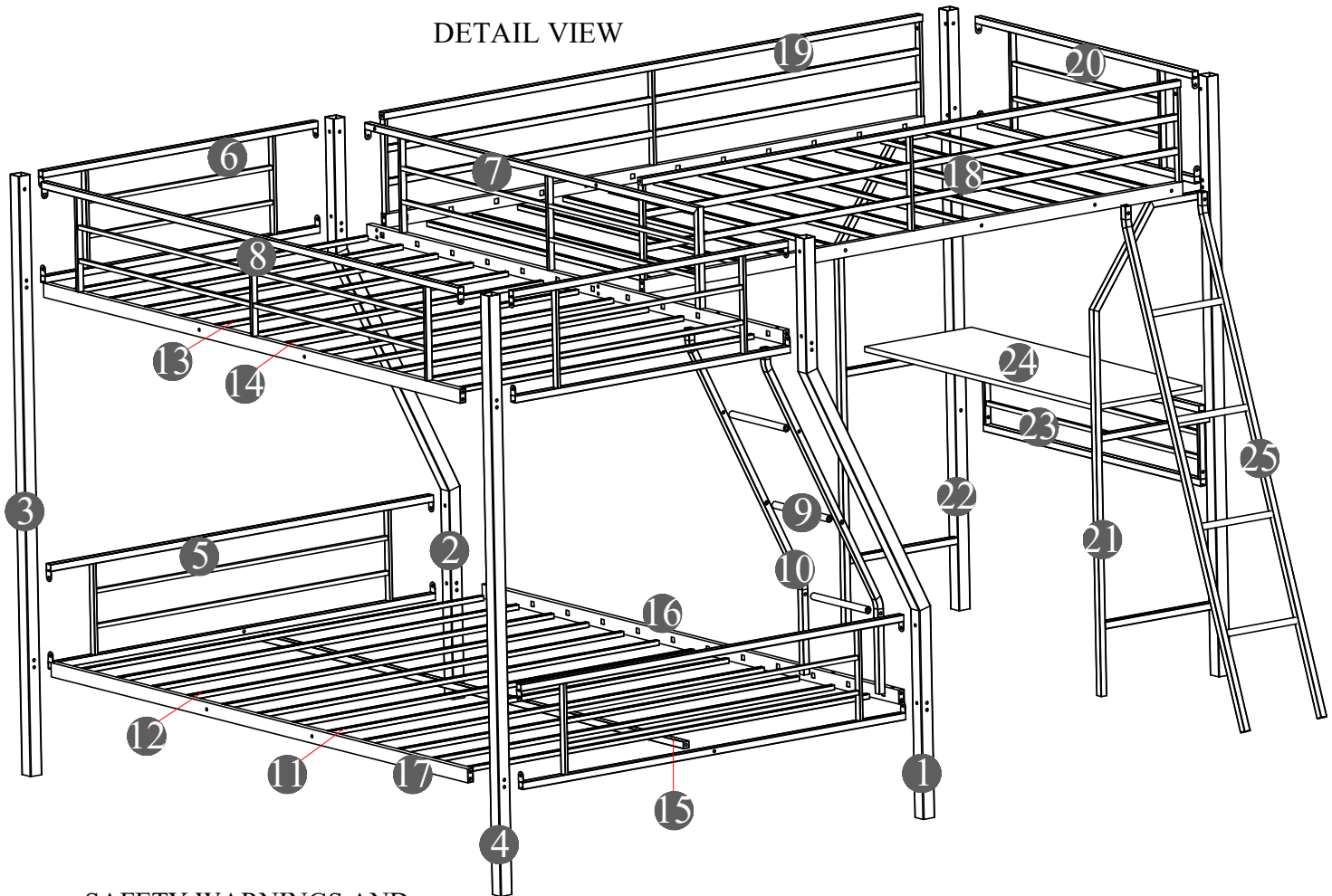
<p>Ⓐ</p>  <p style="text-align: right;">1/4"*60 24PCS</p>	<p>Ⓑ</p>  <p style="text-align: right;">1/4"*35 18PCS</p>	<p>Ⓒ</p>  <p style="text-align: right;">1/4"*30 4PCS</p>	<p>Ⓓ</p>  <p style="text-align: right;">1/4"*25 6PCS</p>
<p>Ⓔ</p>  <p style="text-align: right;">1/4"*15 35PCS</p>	<p>Ⓕ</p>  <p style="text-align: right;">40*40 12PCS</p>	<p>Ⓖ</p>  <p style="text-align: right;">20*20 6PCS</p>	<p>Ⓗ</p>  <p style="text-align: right;">4*59 1PC</p>

PART LIST MF199802

<p>③</p>  <p style="text-align: right;">1PC</p>	<p>④</p>  <p style="text-align: right;">1PC</p>	<p>⑤</p>  <p style="text-align: right;">2PCS</p>
<p>⑥</p>  <p style="text-align: right;">2PCS</p>	<p>⑩</p>  <p style="text-align: right;">1PC</p>	<p>⑪</p>  <p style="text-align: right;">1PC</p>
<p>⑫</p>  <p style="text-align: right;">1PC</p>	<p>⑬</p>  <p style="text-align: right;">1PC</p>	<p>⑭</p>  <p style="text-align: right;">1PC</p>

TWIN OVER FULL L-SHAPED BUNK & LOFT BED
ASSEMBLY INSTRUCTIONS
ITEM MF199801/199802

DETAIL VIEW

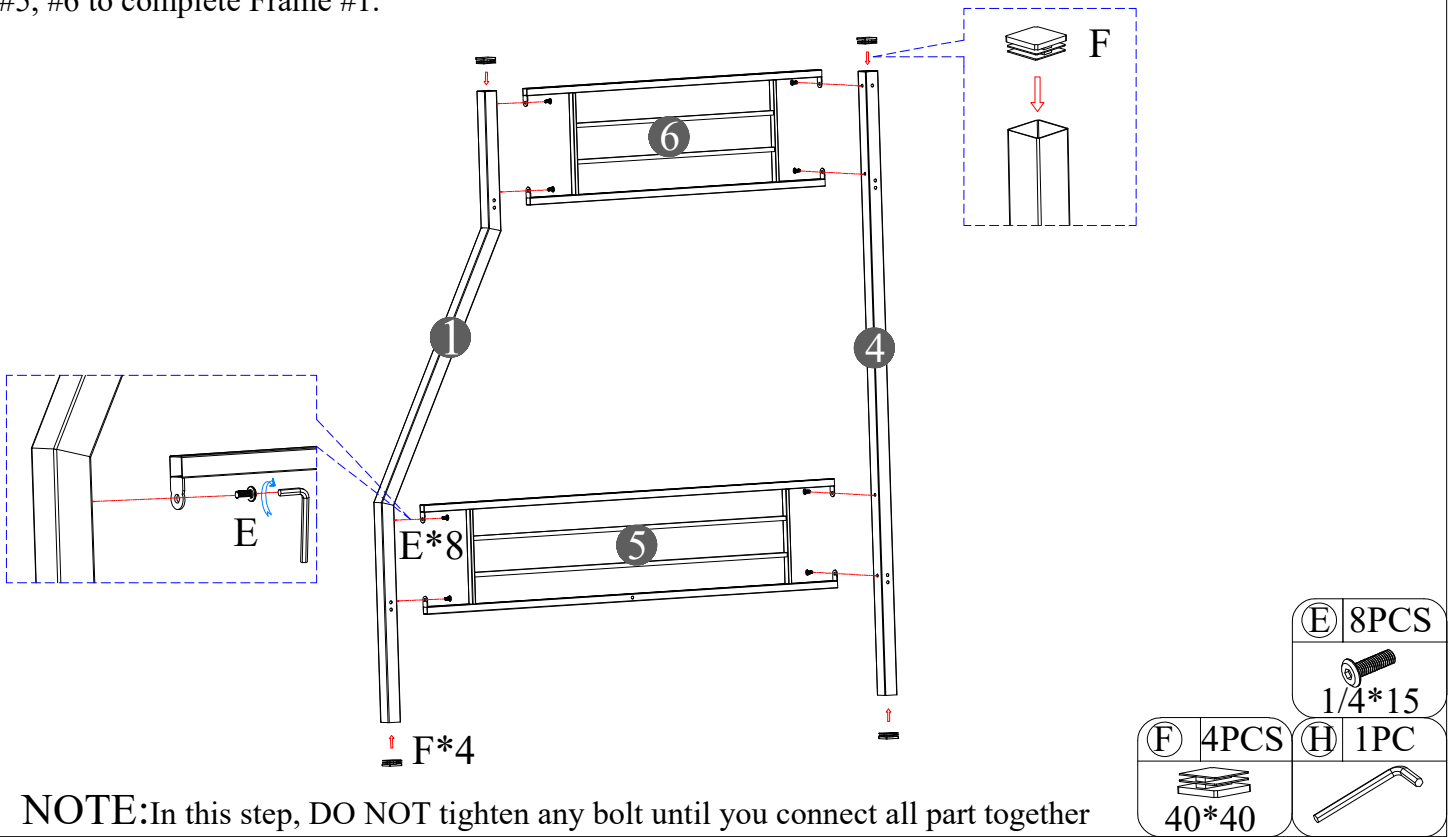


SAFETY WARNINGS AND
GENERAL NOTES:

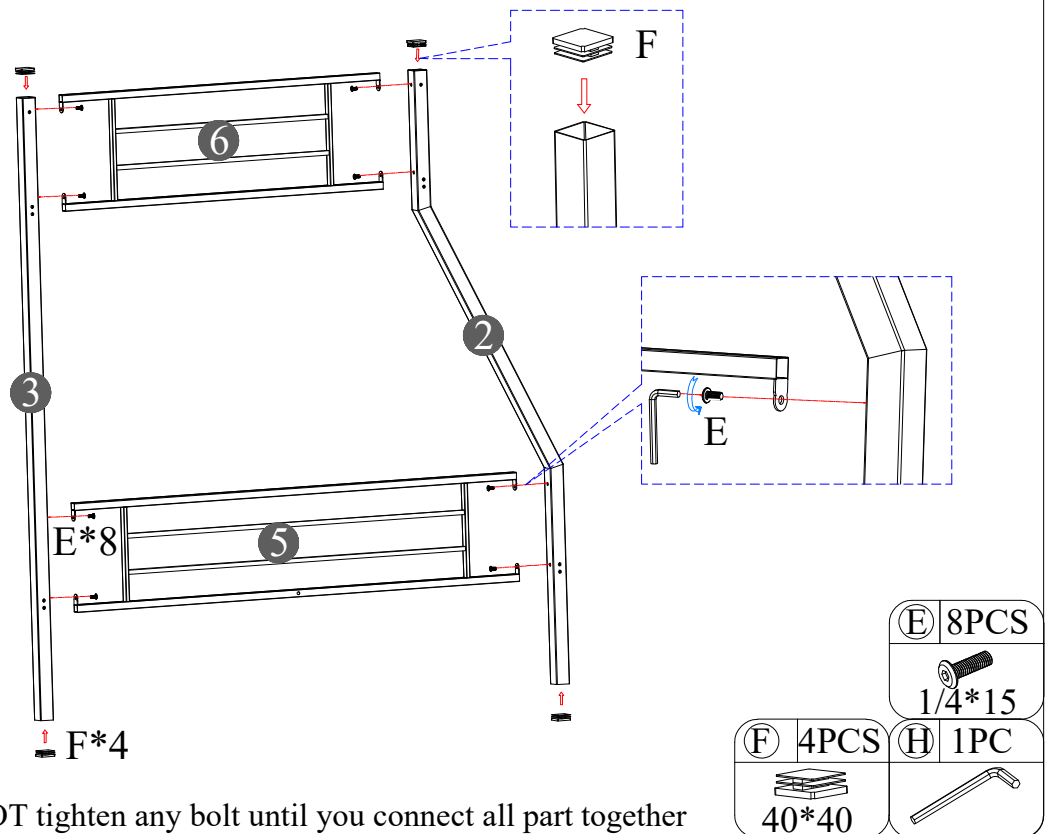
- *Follow the information on the warnings on the bunk bed end structure and on the carton. Do not remove the warning label from the bed.
 - *Always use the recommended size mattress on mattress support, or both, to help prevent the likelihood of entrapment or falls.
 - *The top surface of the mattress must be at least 5* (127mm) below the upper edge of the guardrail.
 - *Do not allow children under 6 years of age to use the upper bunk.
 - *Periodically check and ensure the guardrail, ladder and other components are in their proper position, free from damage, and all connectors are tight.
 - *Prohibit horseplay on or under beds. Always prohibit jumping on the bed.
 - *Prohibit more than one person on upper bunk.
 - *Always use the ladder for entering and leaving the upper bunk.
 - *Do not use substitute parts. Contact the manufacturer or dealer for replacement parts.
 - *Use of a night-tight may provide added safety precaution for a child using the upper bunk.
 - *Always use guardrails on both long sides of the upper bunk.
 - *If the bunk bed will be placed next to a wall, the guardrail that runs the full length of the bed should be placed against the wall to prevent entrapment between the bed and the wall.
 - *The use of water or sleep flotation mattresses is prohibited.
 - *Keep these instructions for future reference.
 - *We recommend assembling your bunk bed on the shipping carton to protect your floor or carpet. Be certain all staples are out of the box before beginning assembly on the shipping carton.
- STRANGULATION HAZARD** - Never attach or hang items to any part of the bunk bed that are not designed for use with the bed; for example, but not limited to, hooks, belts, and jumping ropes.

**TWIN OVER FULL L-SHAPED BUNK & LOFT BED
ASSEMBLY INSTRUCTIONS
ITEM MF199801/199802**

STEP 1 : Following below illustration Assembly Frame # 1. Using hardware #E , #F connect #1 & #4 with #5, #6 to complete Frame #1.

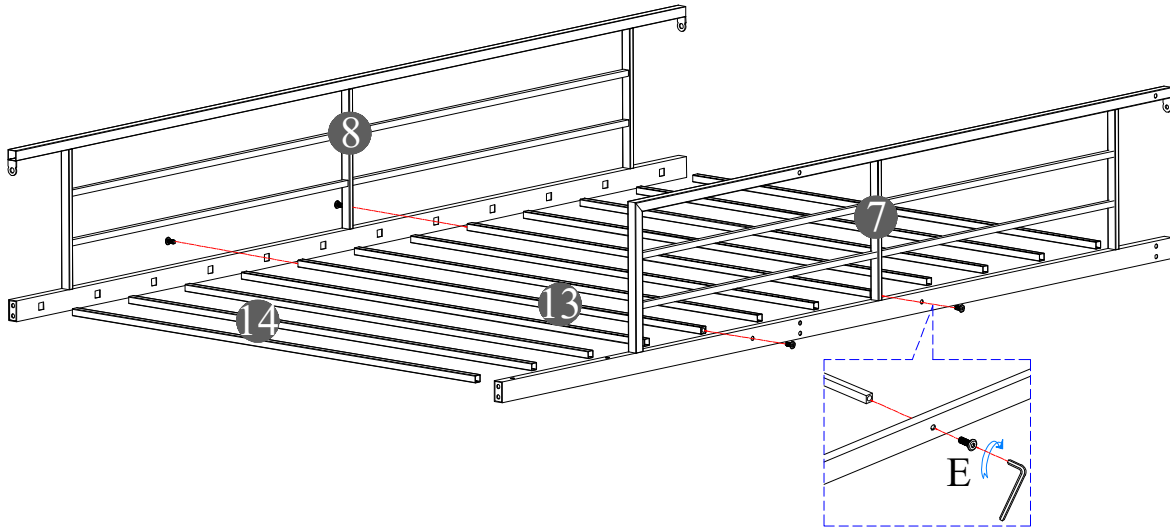




STEP 2 : Following below illustration Assembly Frame # 2. Using hardware #E , #F connect #2 & #3 with #5, #6 to complete Frame #2.



**TWIN OVER FULL L-SHAPED BUNK & LOFT BED
ASSEMBLY INSTRUCTIONS
ITEM MF199801/199802**

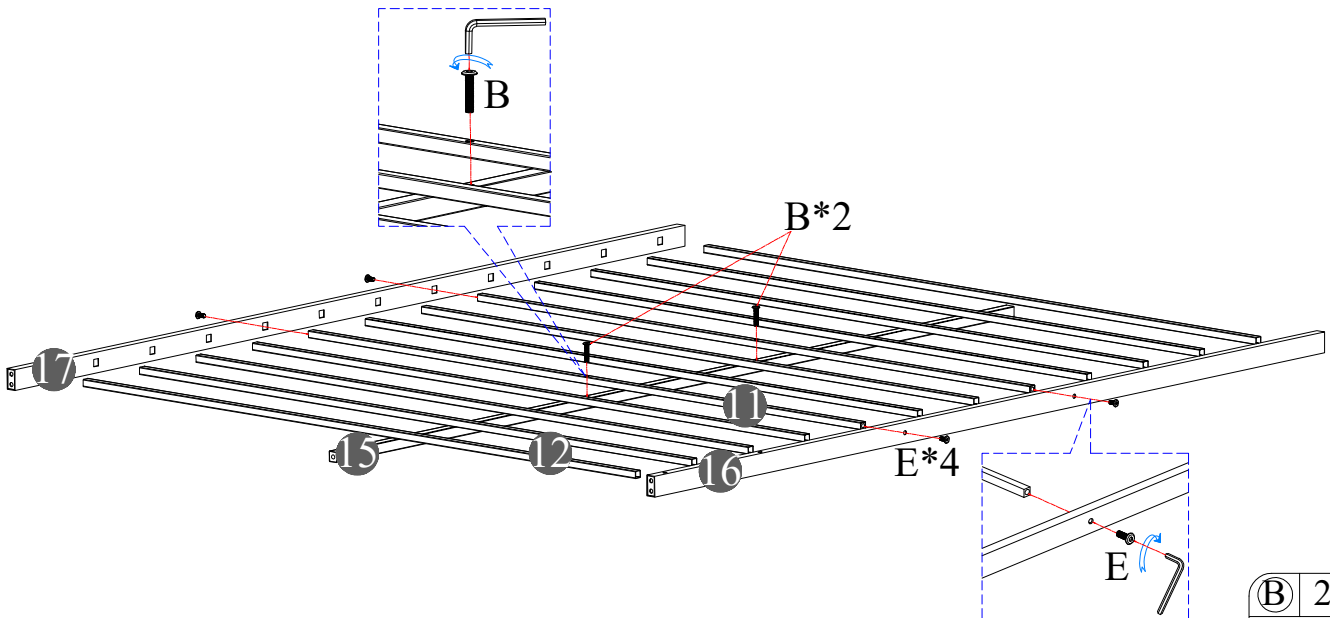
STEP 3 : Following below illustration Assembly Frame # 3. Using hardware #E connect #7 & #8 with #13, #14 to complete Frame #3.

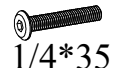




E	4PCS	H	1PC
 1/4*15			

NOTE: In this step, DO NOT tighten any bolt until you connect all part together

STEP 4 : Following below illustration Assembly Frame # 4. Using hardware #E, #B connect #16 & #17 with #11, #12, #15 to complete Frame #4.

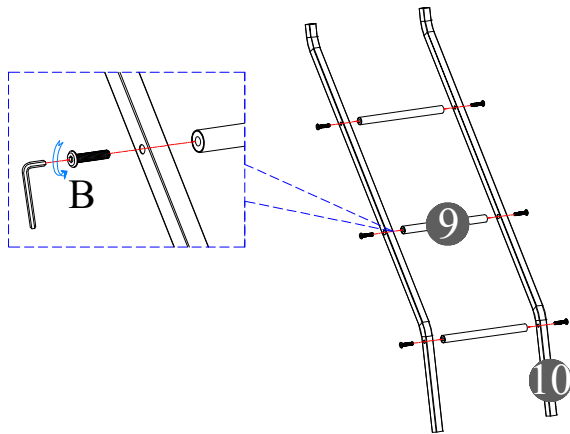


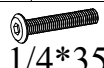
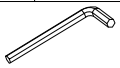
B	2PCS	E	4PCS	H	1PC
 1/4*35		 1/4*15			

NOTE: In this step, DO NOT tighten any bolt until you connect all part together

**TWIN OVER FULL L-SHAPED BUNK & LOFT BED
ASSEMBLY INSTRUCTIONS
ITEM MF199801/199802**

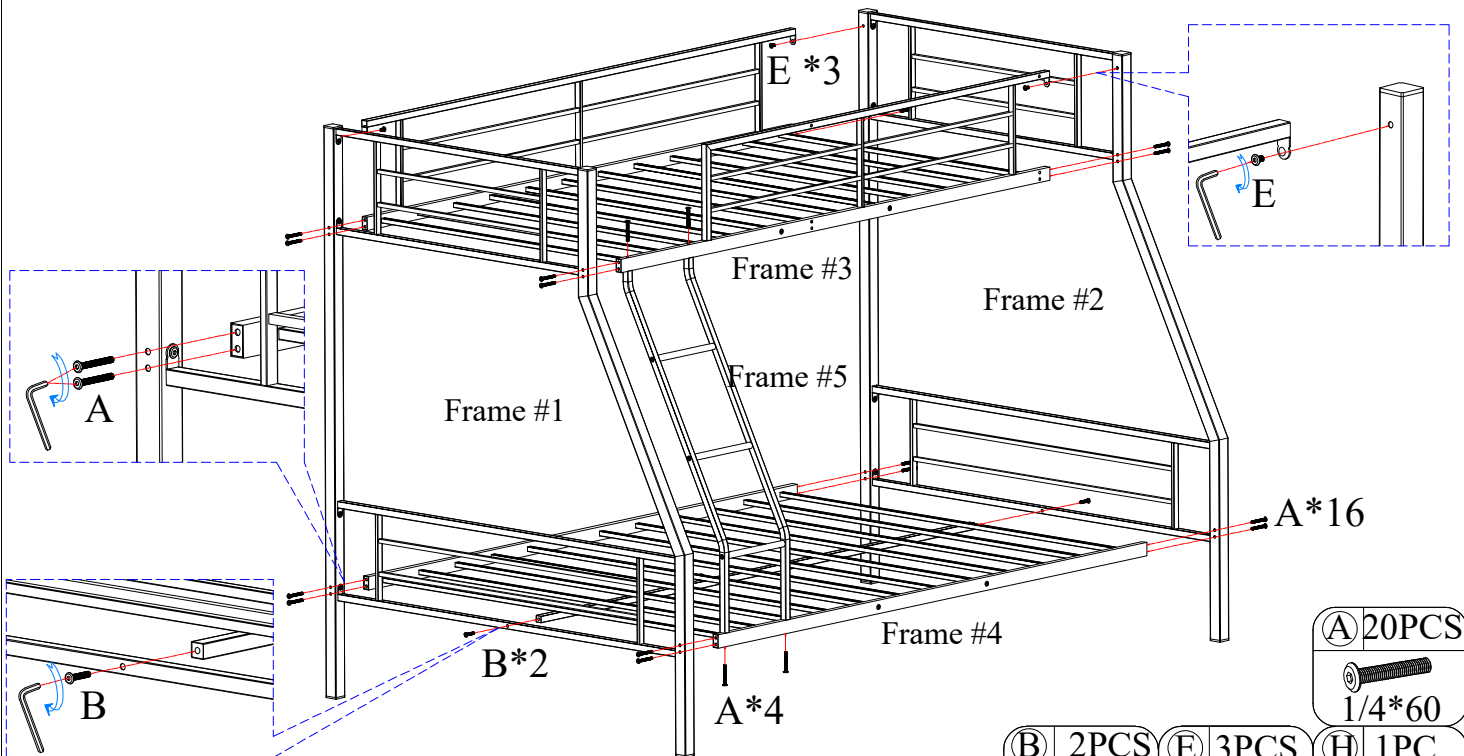
STEP 5 : Following below illustration Assembly Frame # 5. Using hardware #B connect #9 with #10 to complete Frame #5.



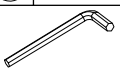
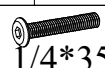

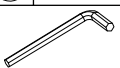


(B) 6PCS	(H) 1PC
 1/4*35	

NOTE: In this step, DO NOT tighten any bolt until you connect all part together

STEP 6 : Following below illustration Assembly Frame # 6. Using hardware #A, #B, #E connect #Frame #1, Frame #2 with Frame#3, Frame #4, Frame #5 to complete Frame #6.

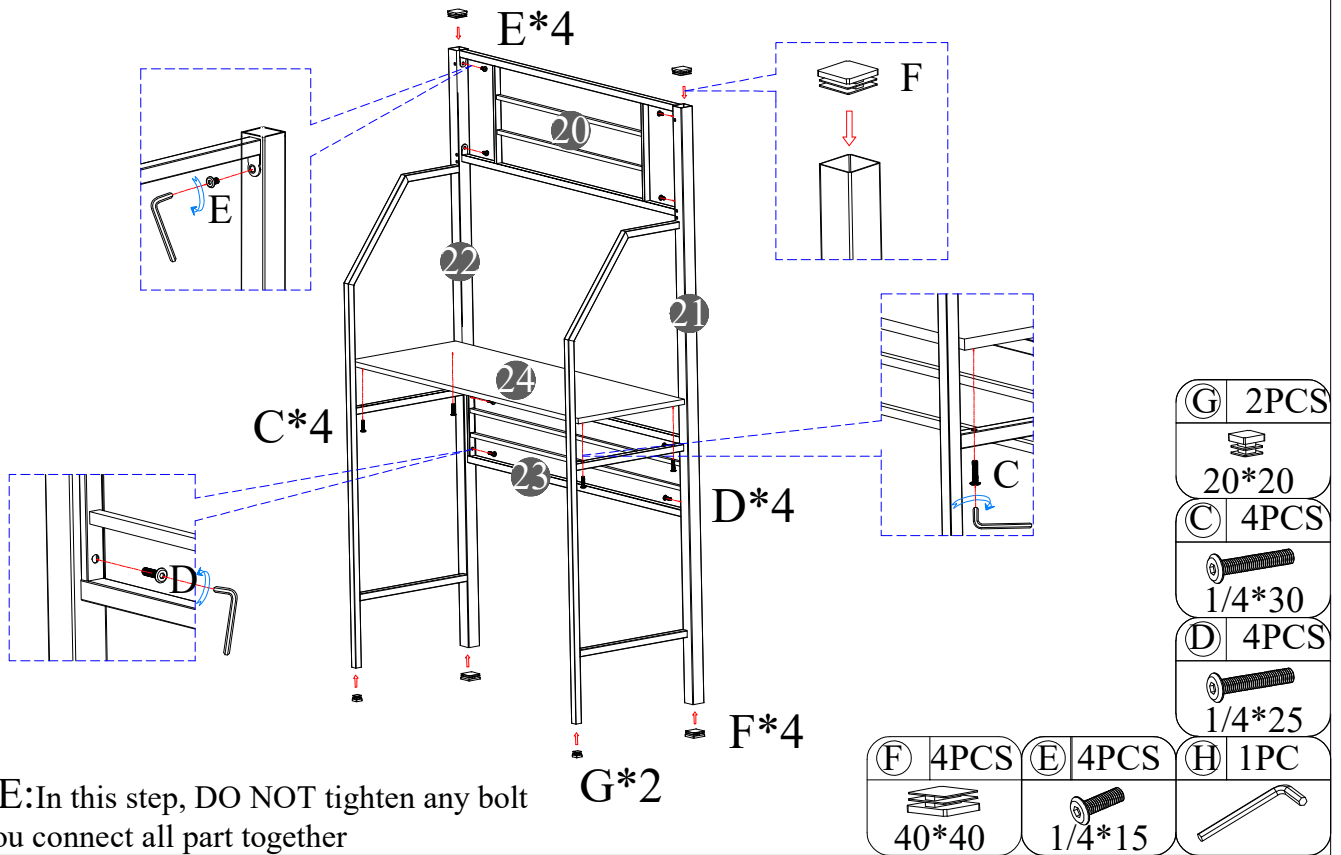


(A) 20PCS	(E) 3PCS	(H) 1PC
 1/4*60	 1/4*15	
(B) 2PCS	(E) 3PCS	(H) 1PC
 1/4*35	 1/4*15	

NOTE: In this step, DO NOT tighten any bolt until you connect all part together

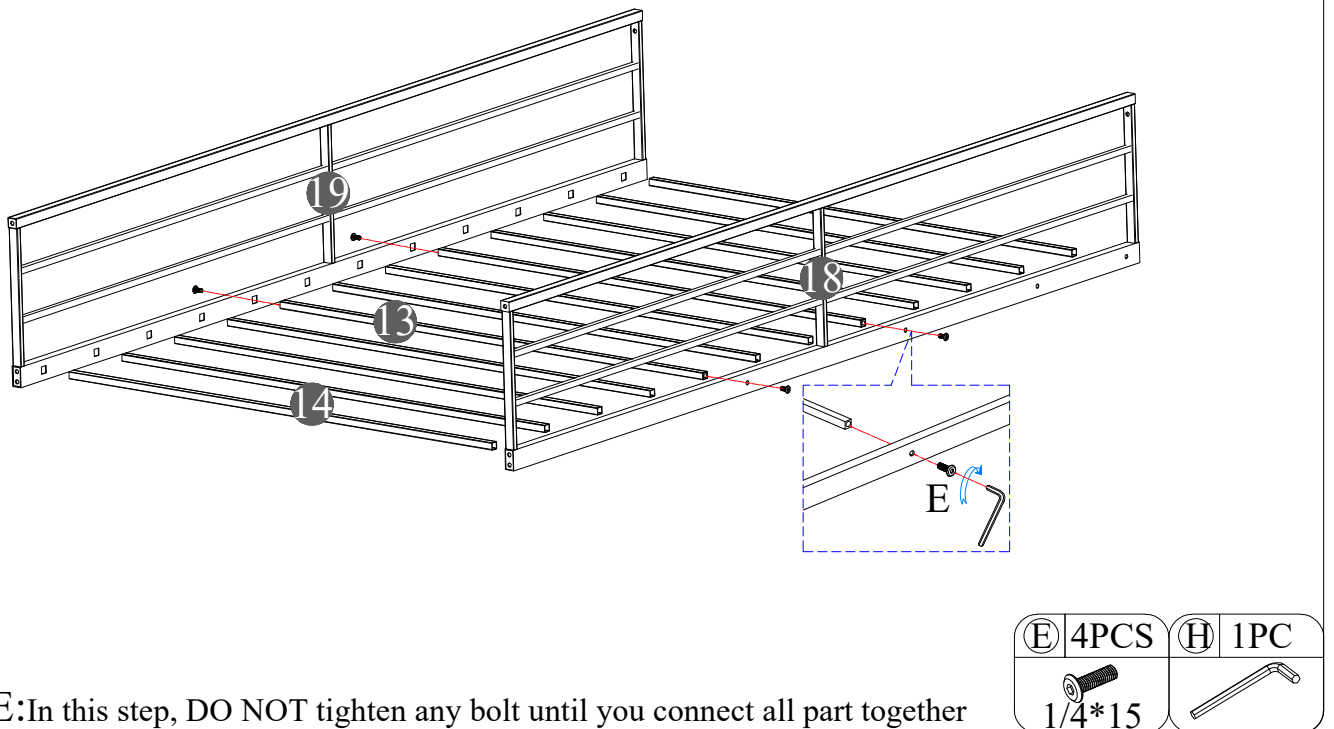
**TWIN OVER FULL L-SHAPED BUNK & LOFT BED
ASSEMBLY INSTRUCTIONS
ITEM MF199801/199802**

STEP 7 : Following below illustration Assembly Frame # 7. Using hardware #C, #D, #E, #F, #G connect #21 & #22 with #20, #23, #24 to complete Frame #7.



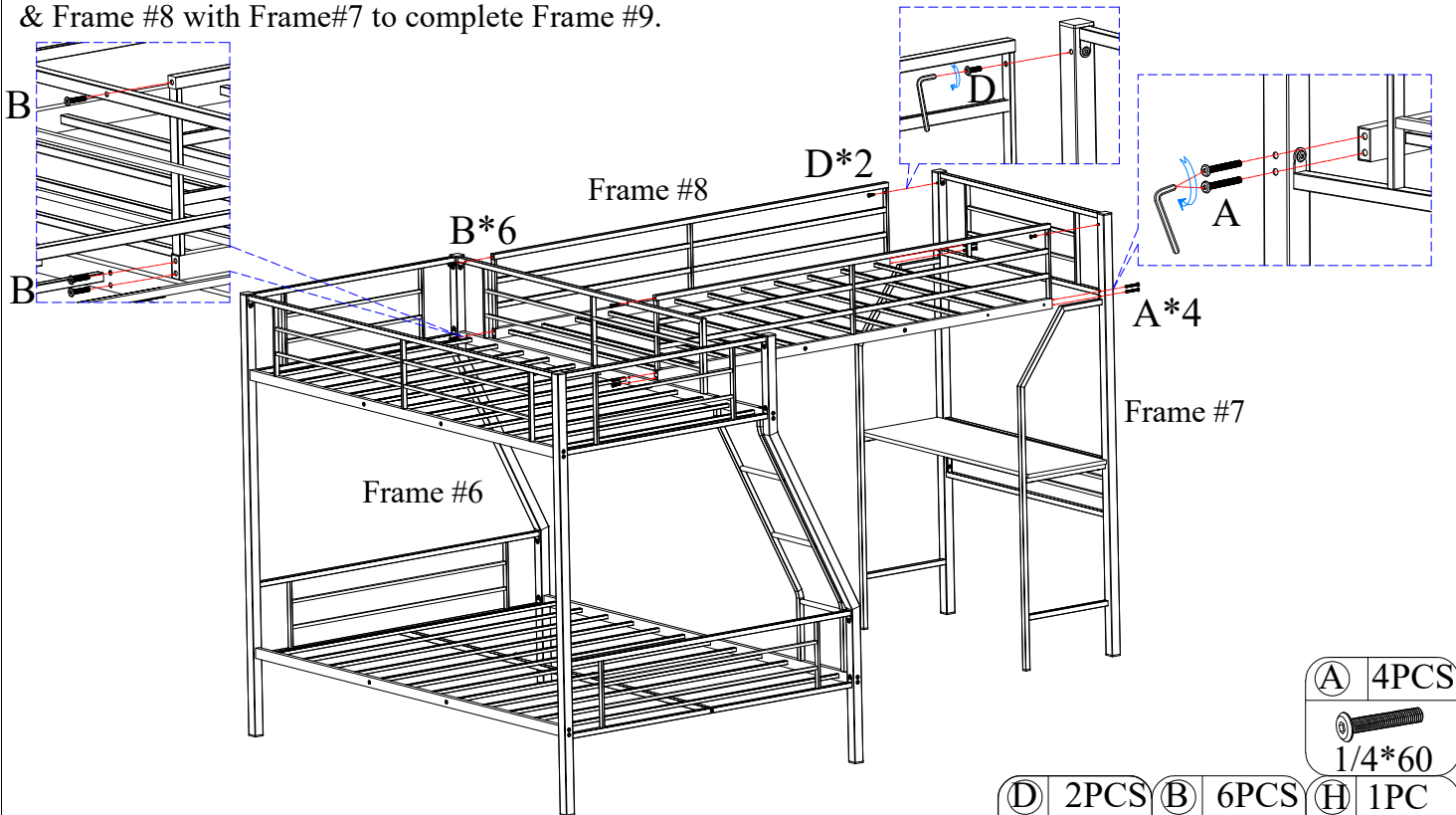
NOTE: In this step, DO NOT tighten any bolt until you connect all part together

STEP 8 : Following below illustration Assembly Frame # 8. Using hardware #E connect #18 & #19 with #13, #14 to complete Frame #8.



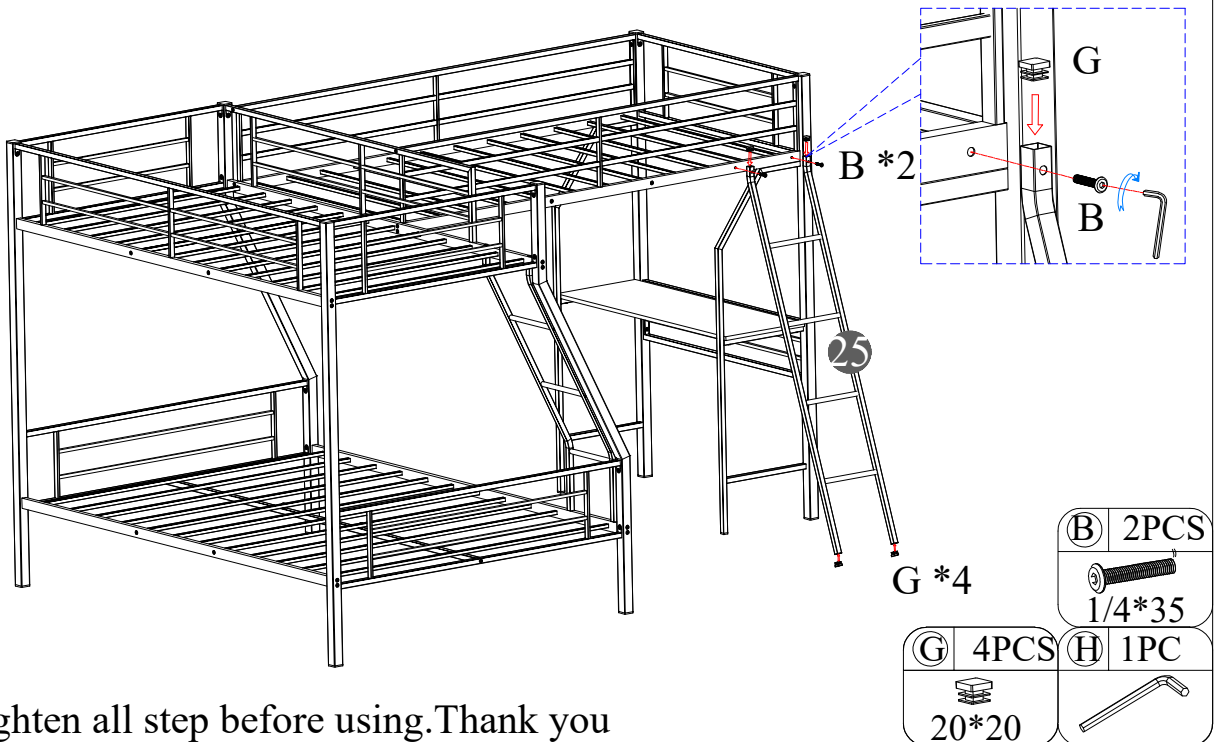
NOTE: In this step, DO NOT tighten any bolt until you connect all part together

STEP 9 : Following below illustration Assembly Frame # 9. Using hardware #A, #B, #D, connect Frame#6 & Frame #8 with Frame#7 to complete Frame #9.



NOTE: In this step, DO NOT tighten any bolt until you connect all part together

STEP 9 : Following below illustration Assembly Frame # 10. Using hardware #B, #G connect Frame #9 with Frame#25 to complete Frame #10.



NOTE: Tighten all step before using. Thank you