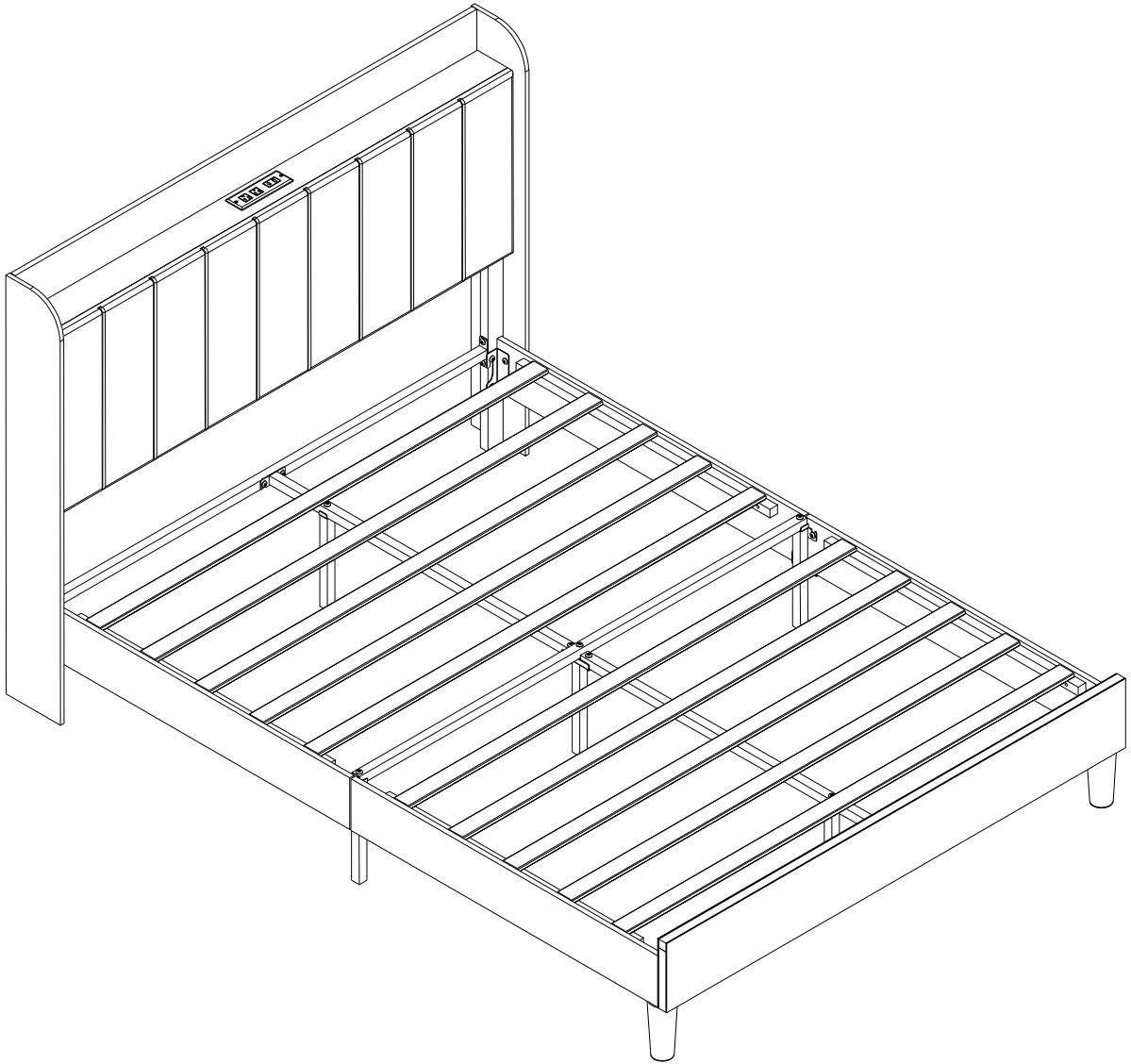
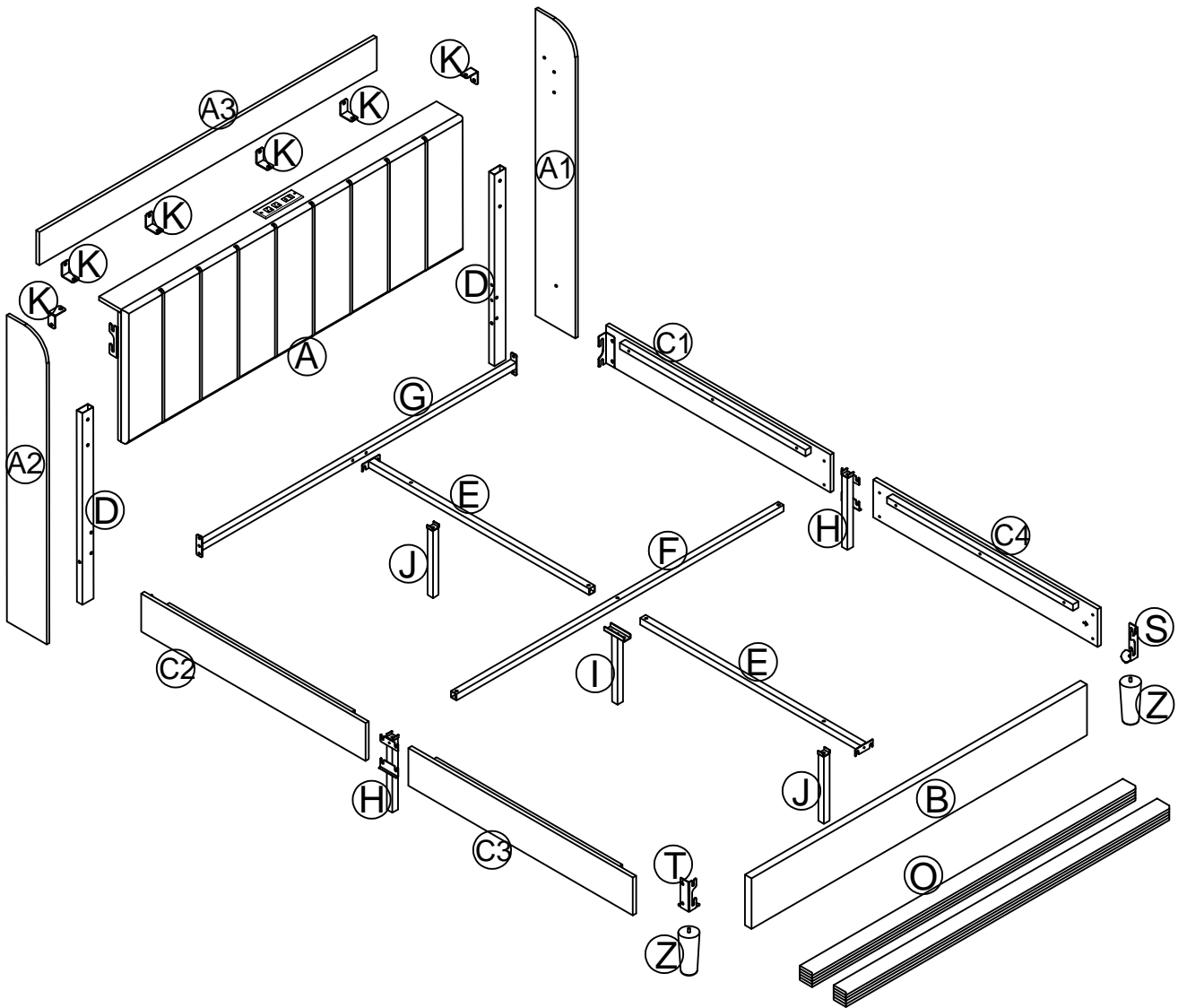
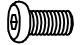
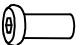
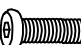

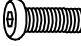

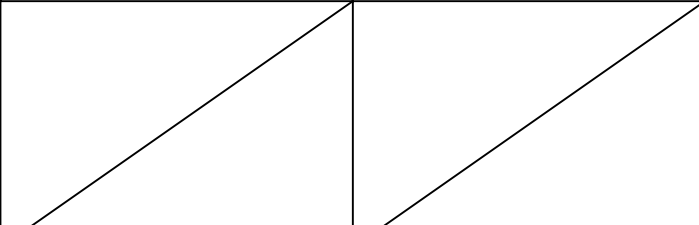


INSTALLATION INSTRUCTIONS

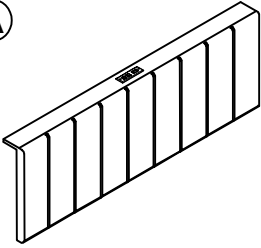
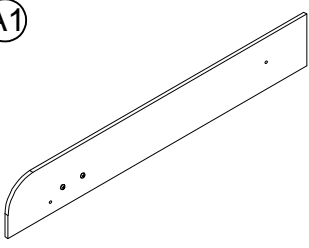
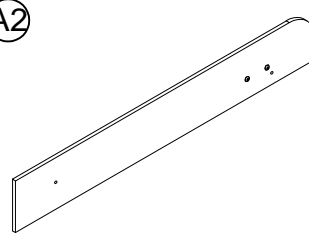
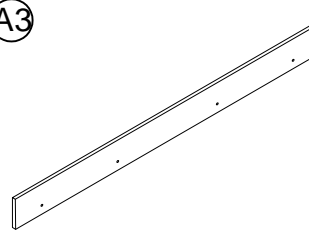
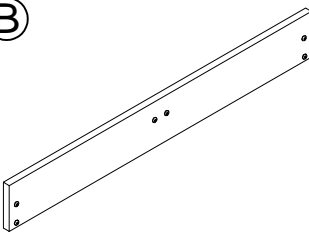
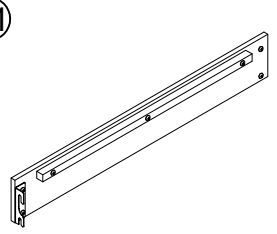
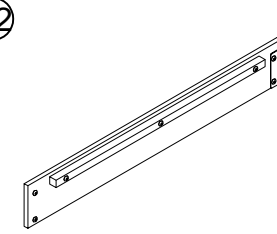
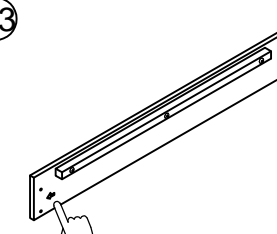
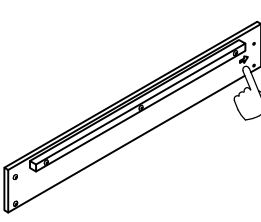
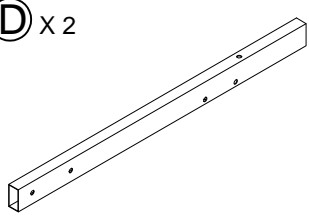
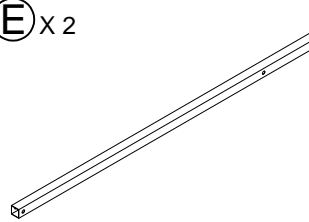
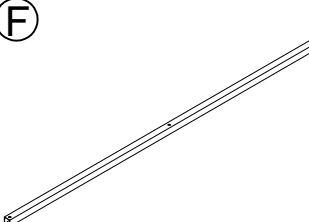
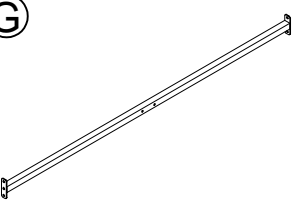
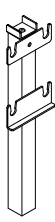


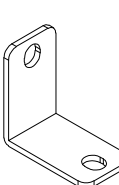
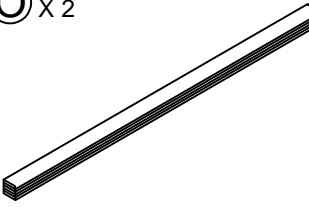

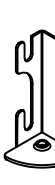

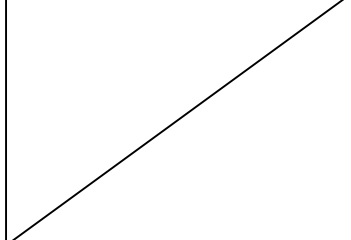
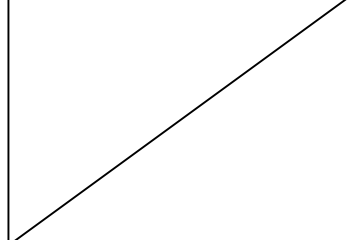
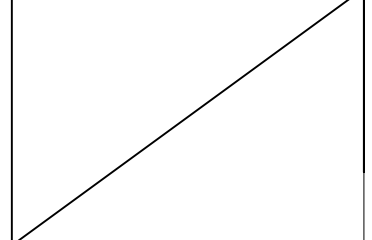




Suggestion: To make the installation process easier and faster, we recommend that two people work together to install the bed frame.

<p>①</p>  <p>M8x18mm 24pcs+3</p>	<p>②</p>  <p>M8 nut 4pcs+1pc</p>	<p>③</p>  <p>M8x40mm 10pcs+1</p>	<p>④</p>  <p>M8x50mm 1pc</p>
<p>⑤</p>  <p>M8x65mm 2pcs+1</p>	<p>⑥</p>  <p>5mm 2pcs</p>		

Parts List



1: Please take a moment to read through the entire instruction booklet before assembly this product.

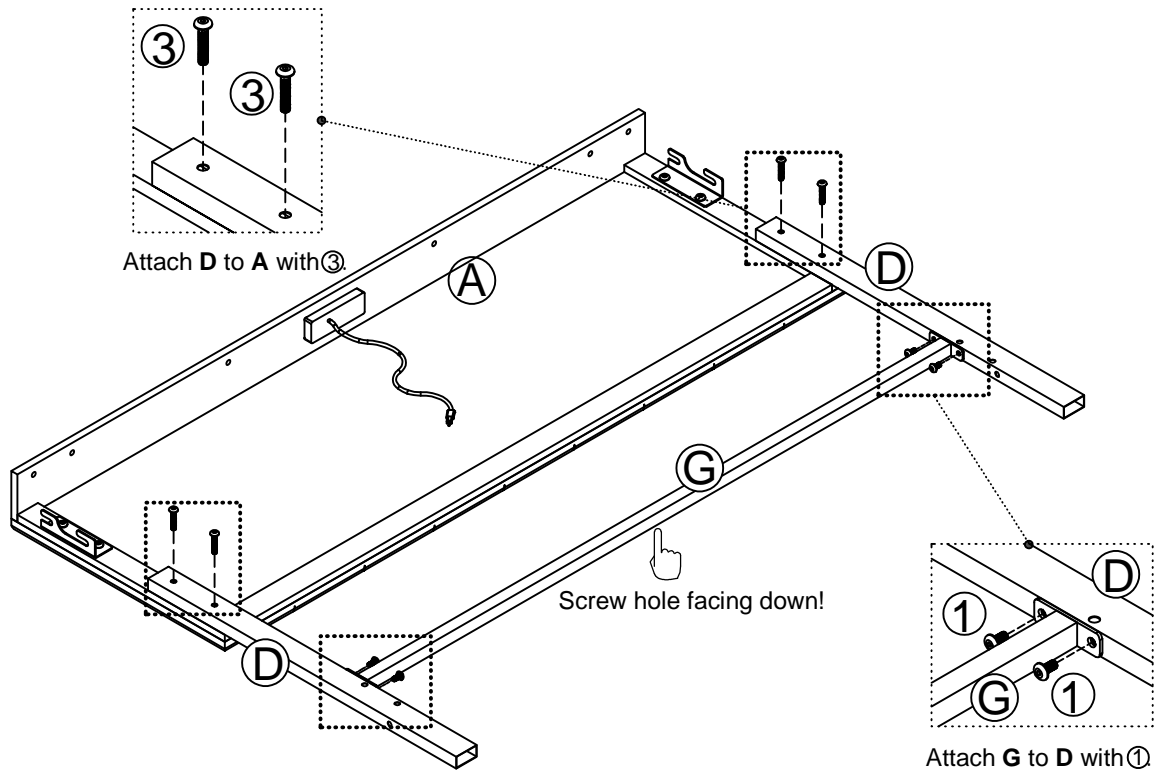
2: Once you feel ready to start, follow the instructions step by step, please not to skip any step.

3: Please not to fully tight screws before finish assembly

Thank you and enjoy your time !

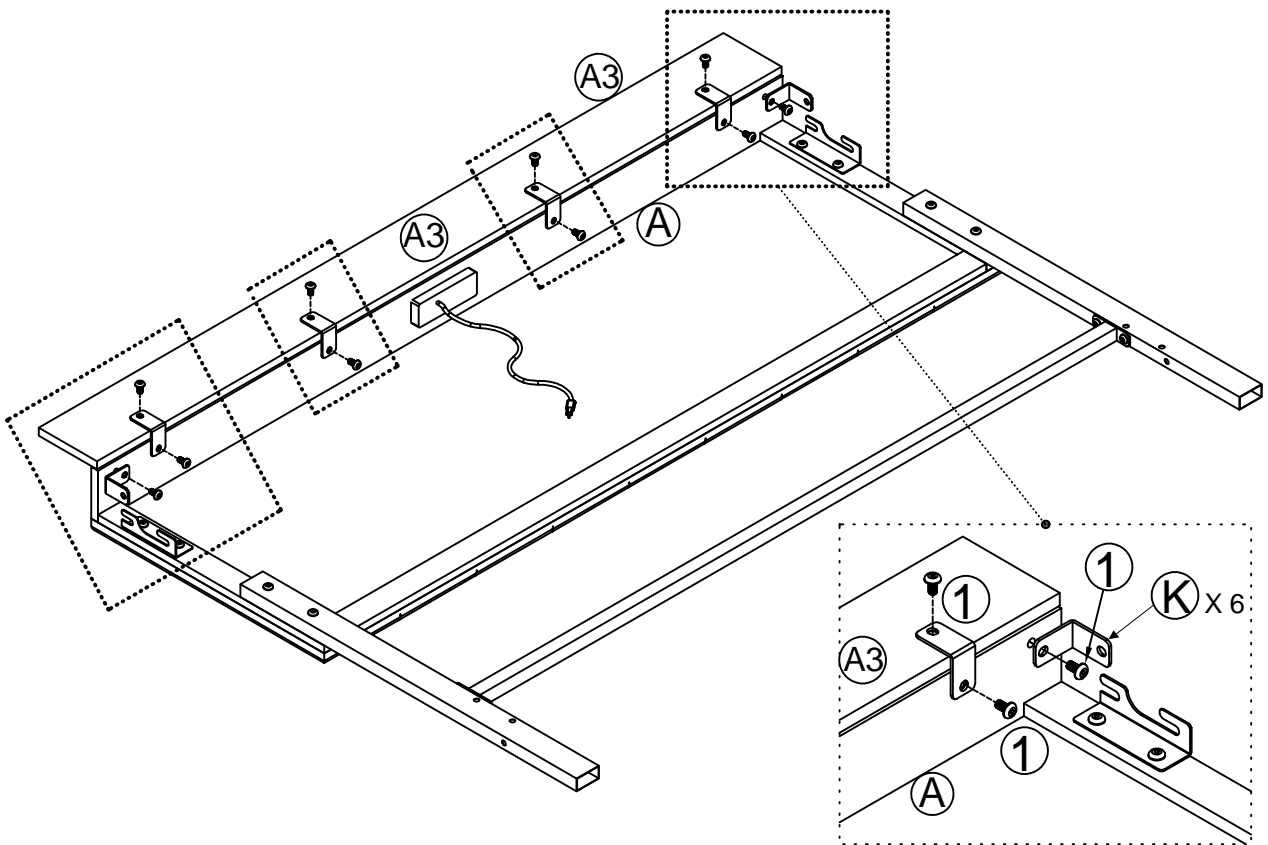
STEP 1

①		M8x18	4
③		M8x40	4



STEP 2

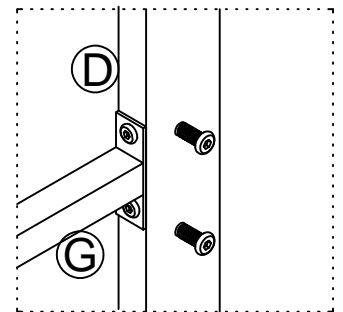
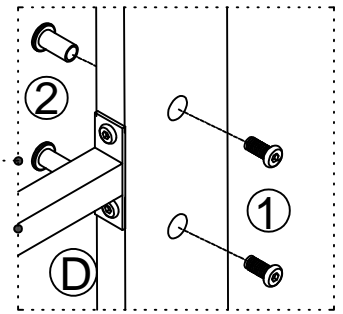
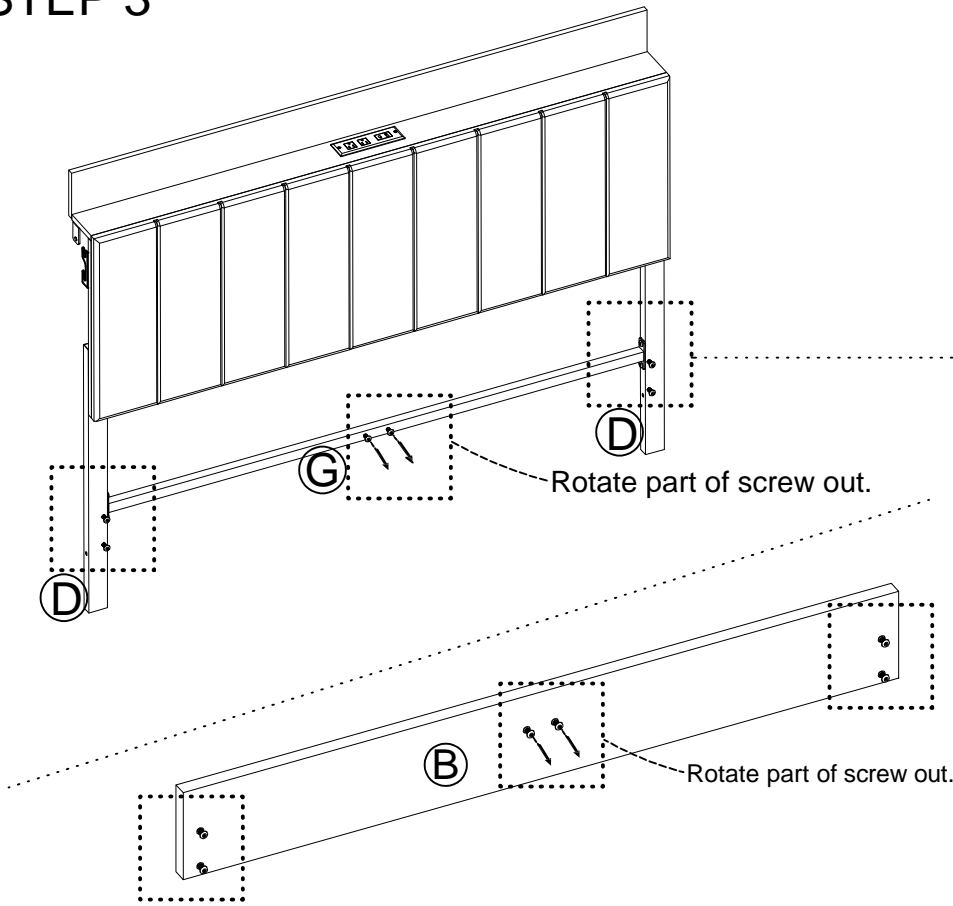
①		M8x18	10
---	---	-------	----



STEP 3

①		M8x18	4
---	---	-------	---

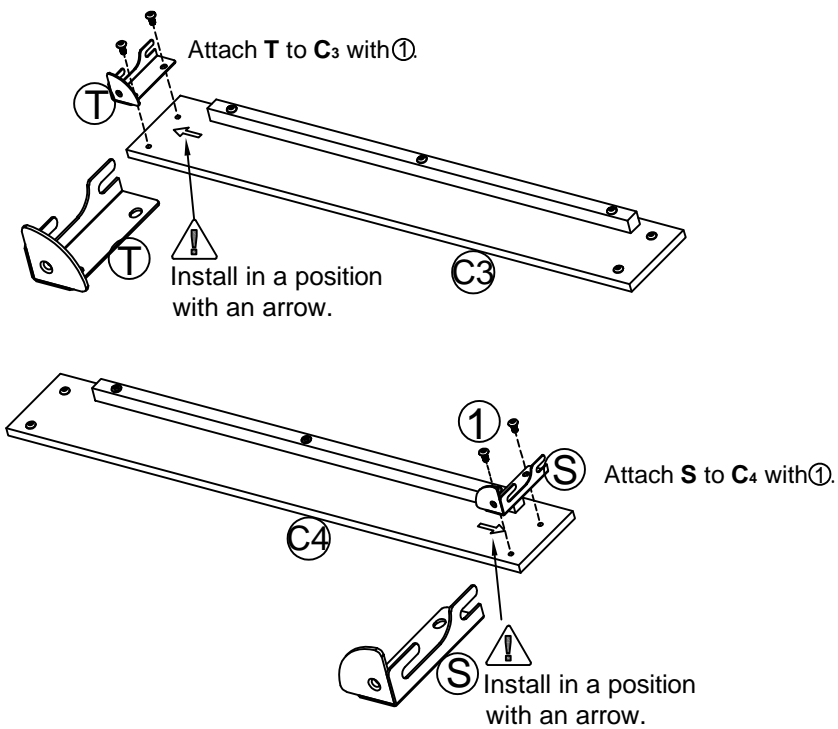
②		M8 nut	4
---	---	--------	---



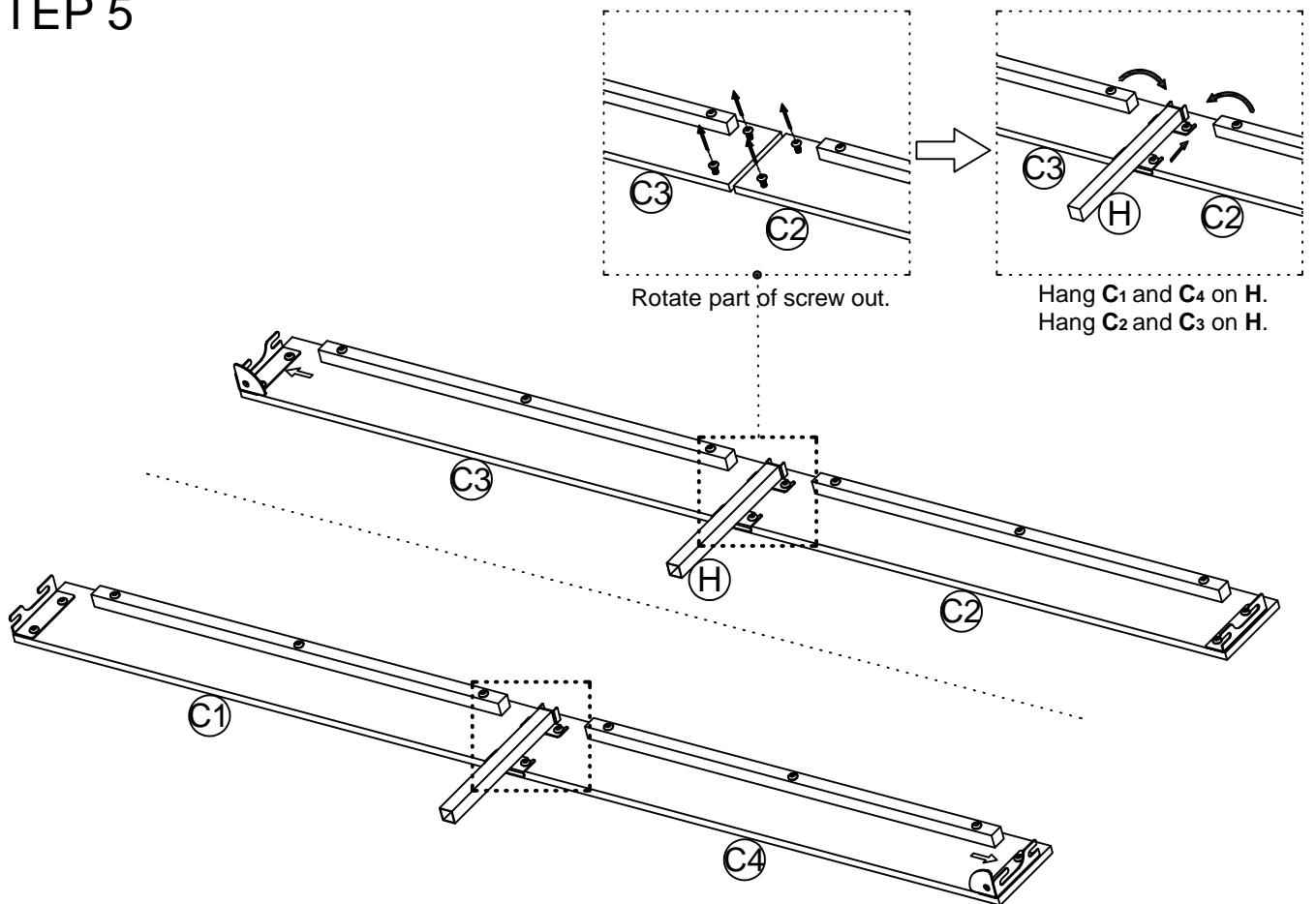
Leave half the bolts outside.

STEP 4

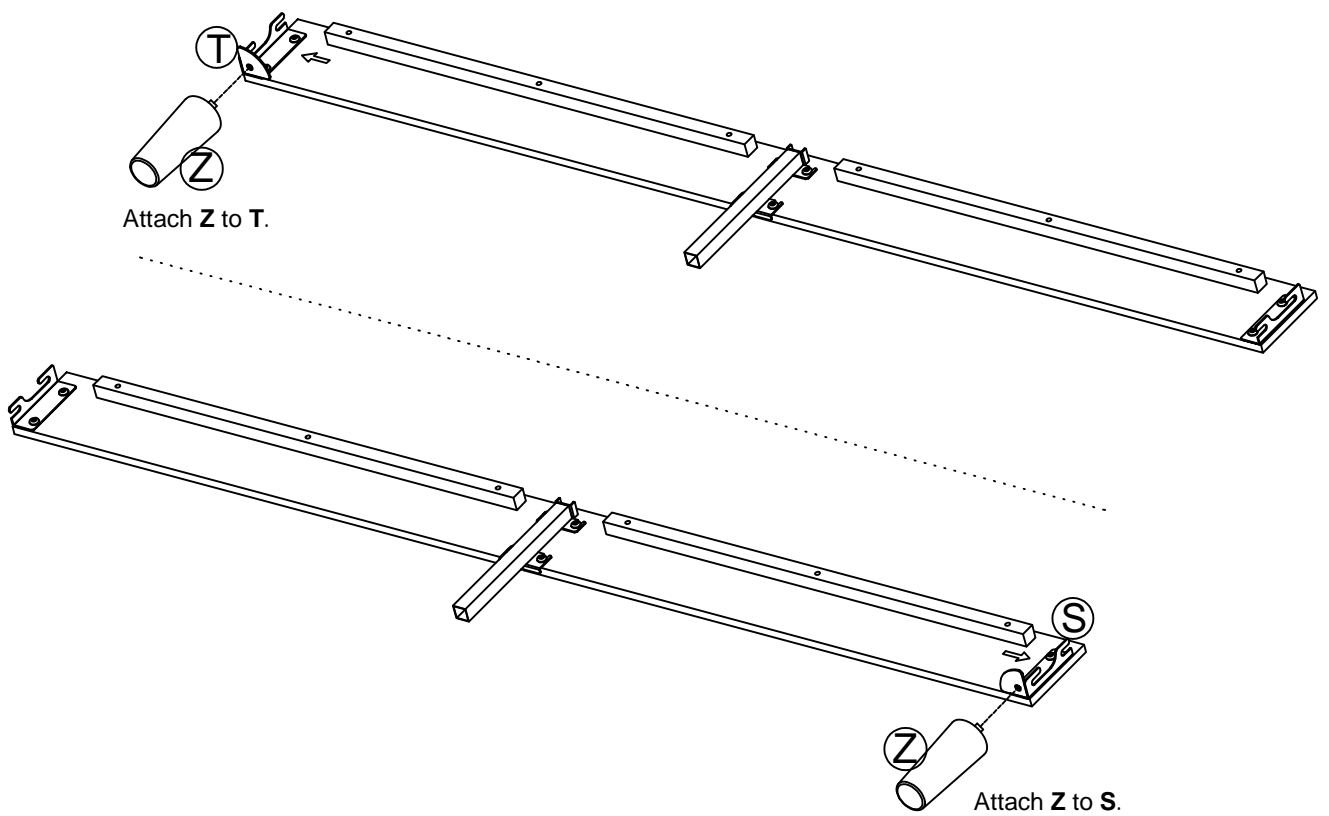
①		M8x18	4
---	---	-------	---




STEP 5

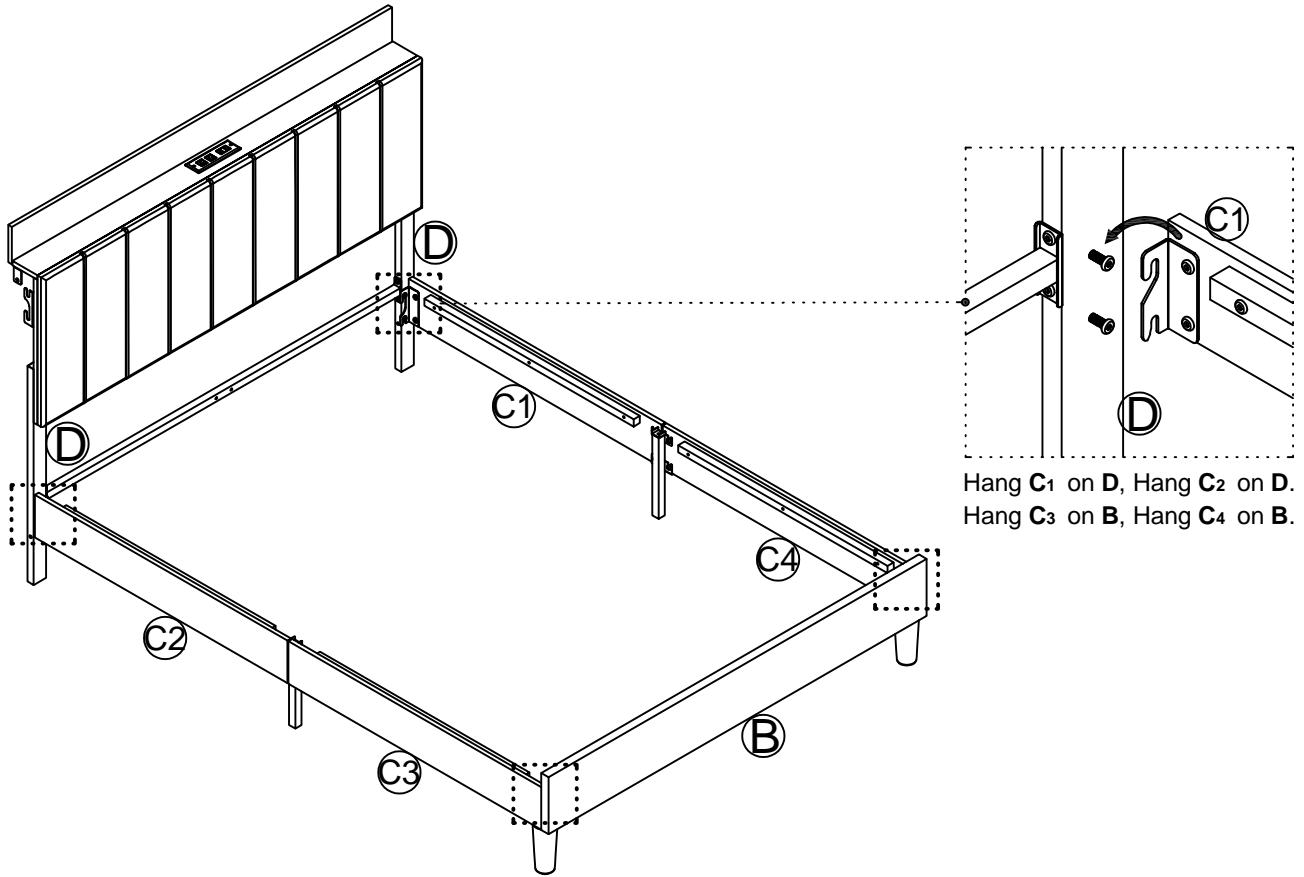


STEP 6




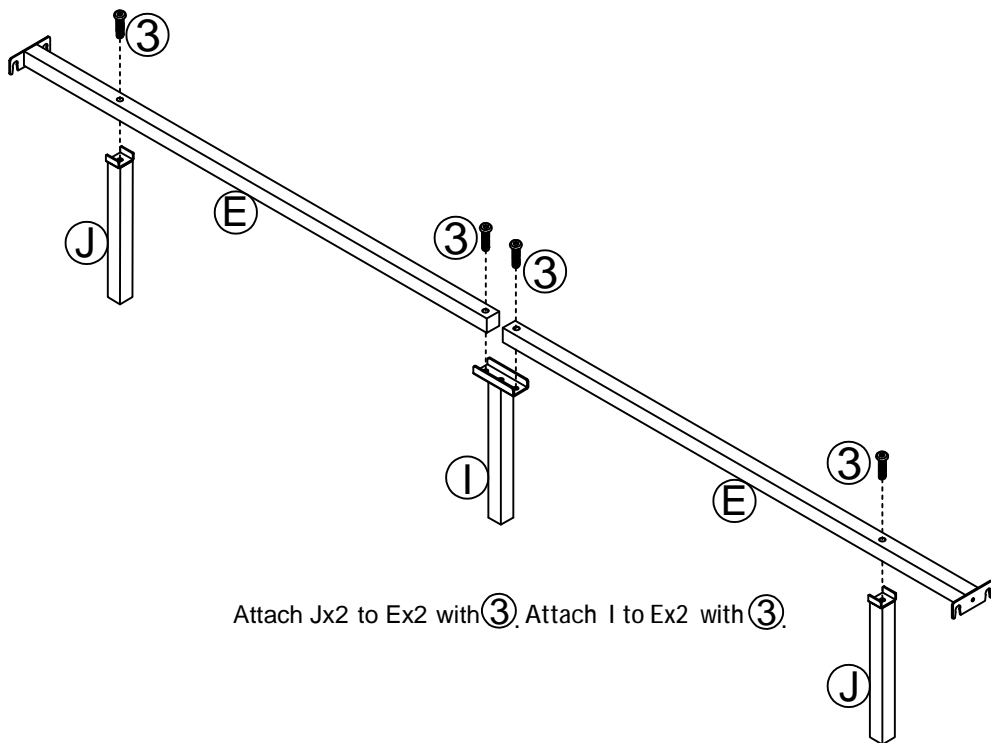
STEP 7

 Do not fully tighten the screws yet.




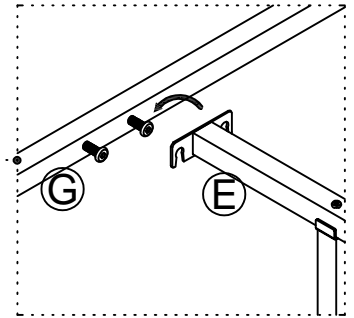
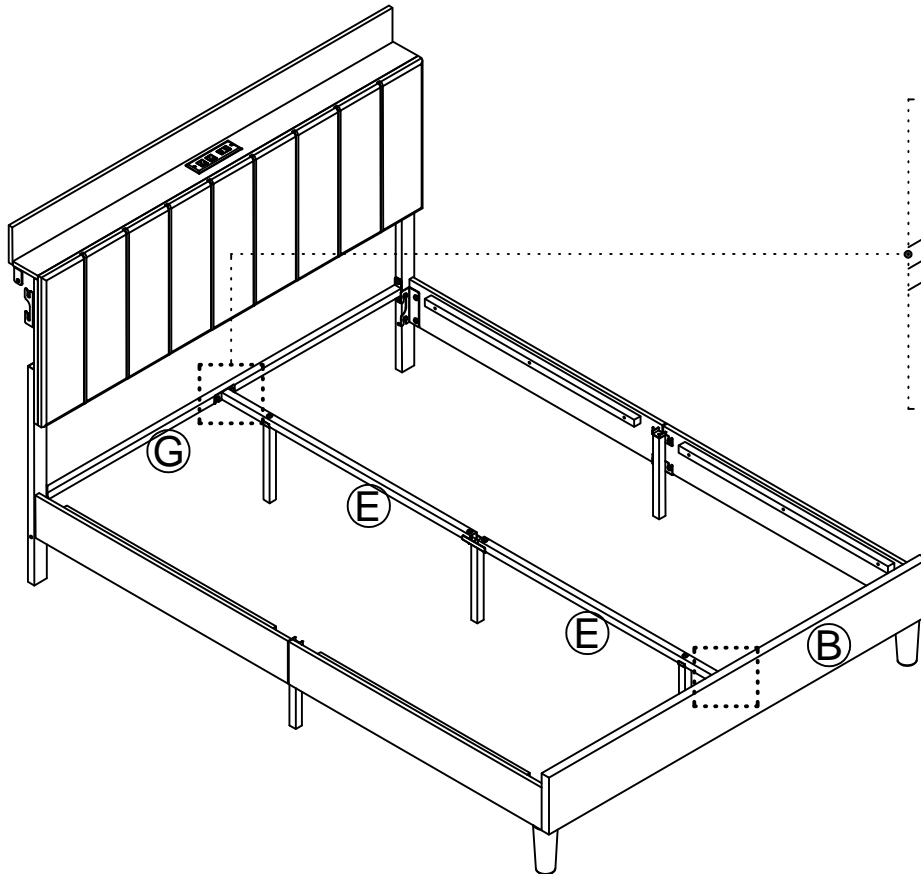
STEP 8

  M8x40 4



STEP 9


 Do not fully tighten the screws yet.

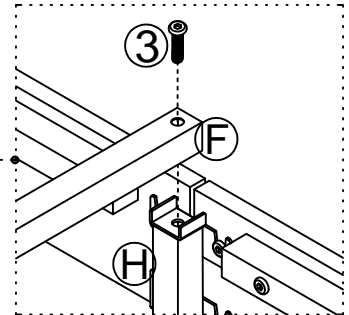
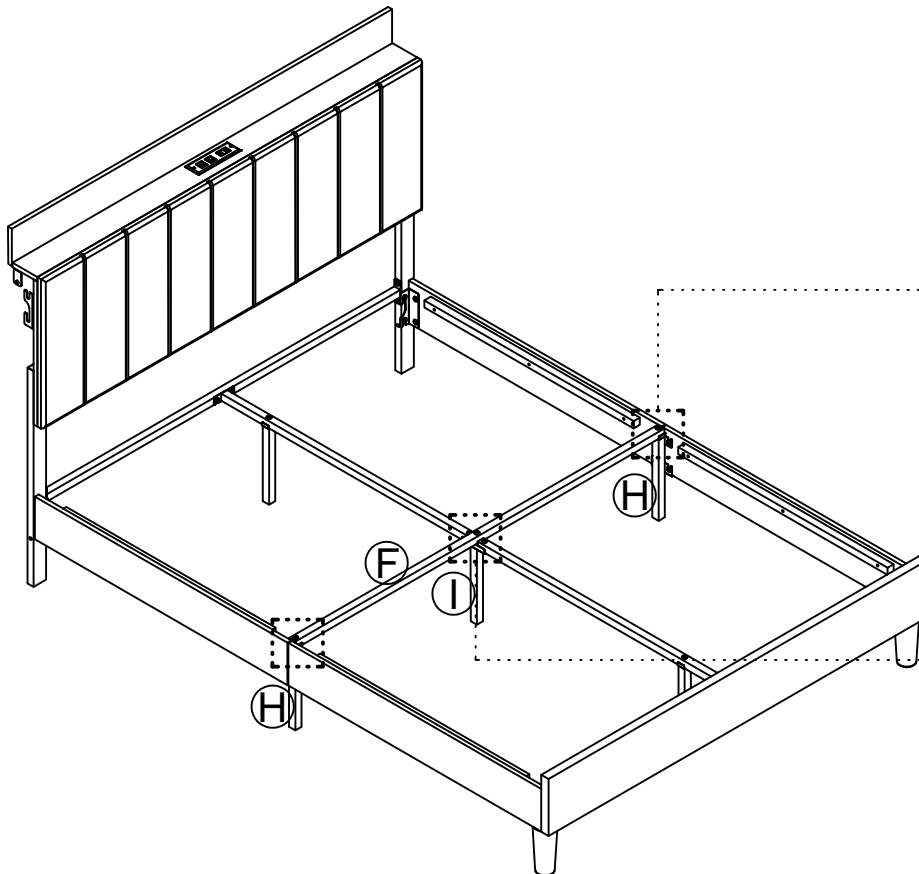


Hang E on G and B.

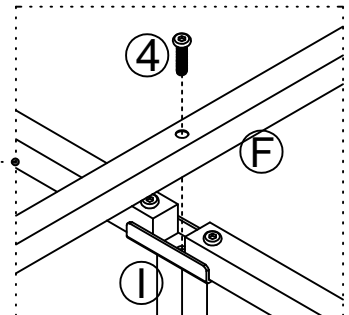
STEP 10

③		M8x40	2
---	---	-------	---

④		M8x50	1
---	---	-------	---




Attach F to H with ③.




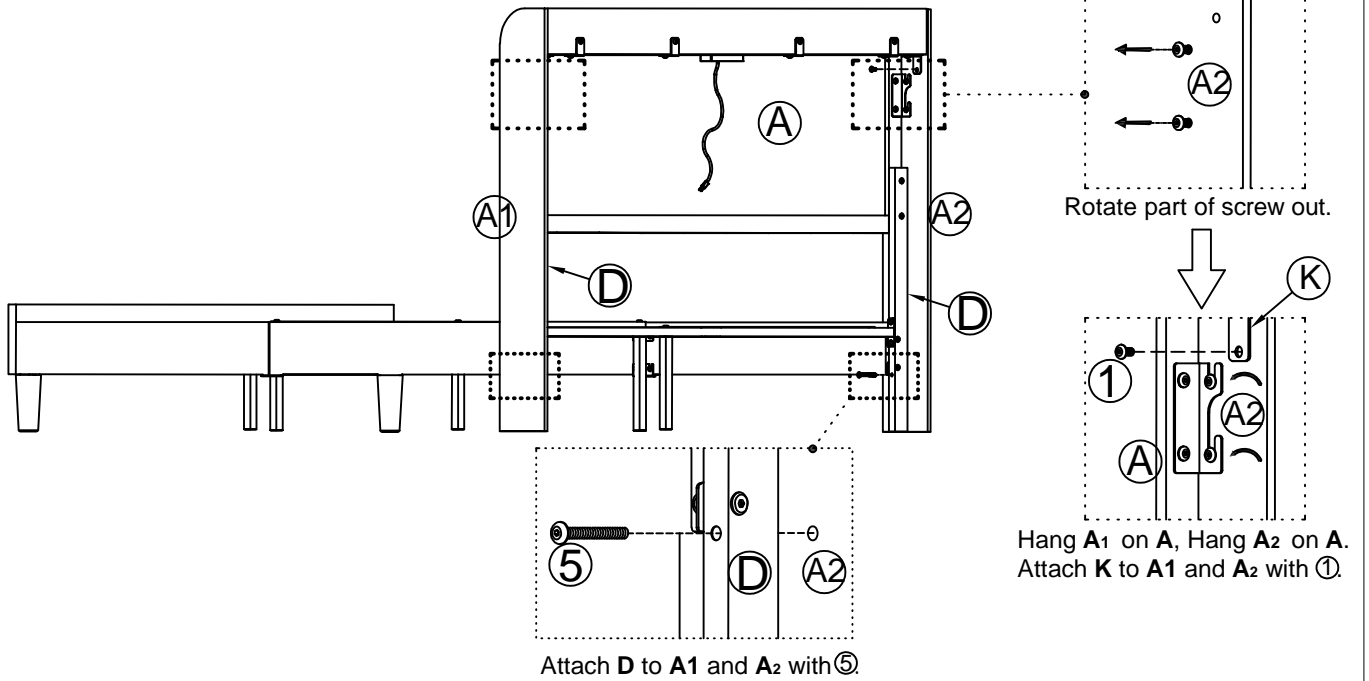
Attach F to I with ④.

STEP 11

①		M8x18	2
---	---	-------	---

⑤		M8x65	2
---	---	-------	---

 Fully tighten all the screws



STEP 12

