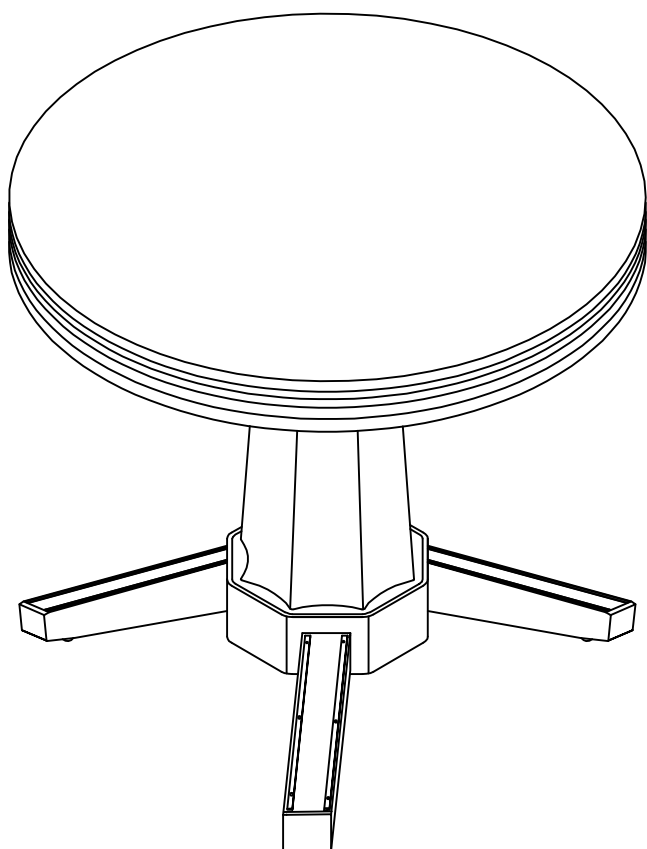
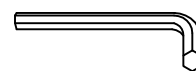


# ASSEMBLY INSTRUCTIONS

---

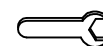


## TOOLS REQUIRED



Allen Wrench

(Included)



Wrench

(Included)



2 - Persons

Recommended

## ASSEMBLY RATING



EASY —————> DIFFICULT

The Assembly Rating is a 5-point system showing the level of effort needed to assemble a specific product.

**Thank you for your purchase!**

We hope you enjoy this new addition to your home for many years to come.

Our commitment to providing quality products does not simply end when you purchase our product. We fully stand behind our products from start to finish. Our customer service department is available Monday – Friday 8:30 AM – 5:30 PM Pacific and can help with assembly questions as well as, if necessary, replacing damaged or missing parts. To help expedite our service, please have these assembly instructions readily available, along with your order receipt.



## **CHECK BEFORE STARTING**

### **Are you missing anything?**

Double-check all parts, hardware and accessories listed on Page 6 are accounted for.

### **Check out our Quick Tips!**

We recommend reviewing the pre-assembly handouts. Even experts need a refresher now and then!

### **Should we send any replacements?**

Are there any irregularities or flaws in the parts? We can send replacements!

### **Prep Time!**

Please review the assembly instructions and all diagrams prior to assembling. Arrange parts as recommended on Page 7 and group identical hardware together to make assembling easier.

# PRE ASSEMBLY INTRODUCTION

We understand building ready-to-assemble furniture can be a challenging experience for some. To help avoid confusion, we have provided some helpful tips that may speed up the process.



## Teamwork

ALWAYS have at least two people to help with transporting and assembling the product to avoid potential injury and/or damage.



## Suitable Location

Assembling near the area of the intended location is highly recommended.



## Sufficient Space

Make sure you have enough space to move around during the assembly.



## Avoid Scratches

Use cardboard, blankets or a carpeted area while assembling furniture to prevent scratches.



## Flat Surface

Make sure the furniture rests on a flat and level surface with each leg evenly touching the floor.

# ASSEMBLY AND CARE ADVICE



**FAILURE TO FOLLOW THE GUIDELINES BELOW MAY RESULT IN INJURY AND/OR PROPERTY DAMAGE.**



Position each part correctly and insert screws or bolts into their respective holes.



Turn clockwise to tighten and only tighten when step is completed or when instructed to do so.



Use the appropriate hand tools or power tools for assembly. Select steps, such as tightening screws and/or bolts, may require hand tools to avoid causing damage during assembly.



Save the instructions and store any supplied tools for later maintenance.



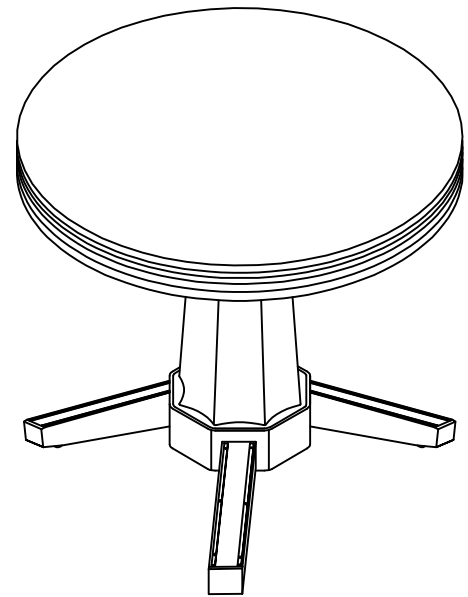
After two weeks, check and tighten any loose hardware and repeat again every six months thereafter.

**IT IS THE USER'S RESPONSIBILITY TO MAINTAIN THE FURNITURE. THE HARDWARE MAY LOOSEN OVER TIME AND MAY CAUSE THE FURNITURE TO BE WOBBLY AND UNABLE TO SUPPORT ITS INTENDED WEIGHT CAPACITY. THIS MAY LEAD TO COLLAPSE AND MAY CAUSE SERIOUS INJURY.**

# GAME TABLE

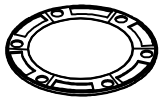


- Please keep instructions for future reference.
- Check the quantity and irregularity of parts and hardware before you start.



## PARTS

#1 1pc



Top Panel

#2 1pc



Table Top

#3 1pc

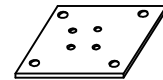
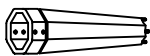


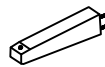
Table Top Support panel

#4 4pcs



Base

#5 4pcs



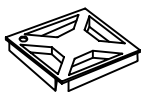
Leg

#6 4pcs



Checkerboard

#7 4pcs

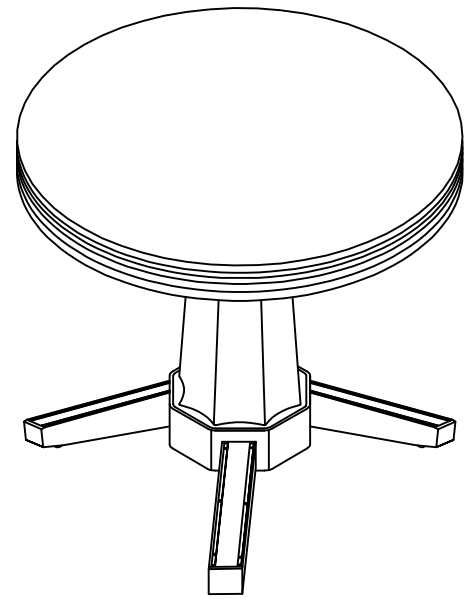


Checkerboard Support

# GAME TABLE

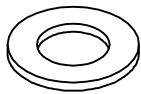


- Please keep instructions for future reference.
- Check the quantity and irregularity of parts and hardware before you start.



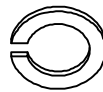
## HARDWARE

#A 16pcs



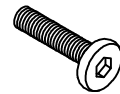
Flat Washer  $\text{\O}5/16''$

#B 16pcs



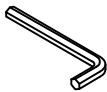
Lock Washer  $\text{\O}5/16''$

#C 4pcs



Bolt  $5/16'' \times 2-3/4''$

#D 1pc



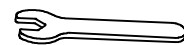
Allen Wrench M5

#E 12pcs



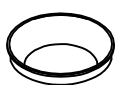
Nut  $\text{\O}5/16''$

#F 1pc



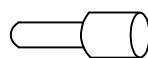
Wrench

#G 6pcs



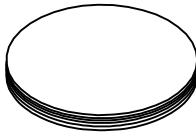







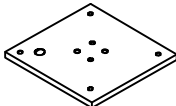

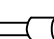
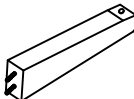

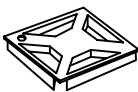
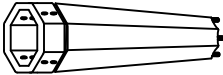
Cork Coaster

#H 1pc



Wood Push Rod

# Points 2 cartons

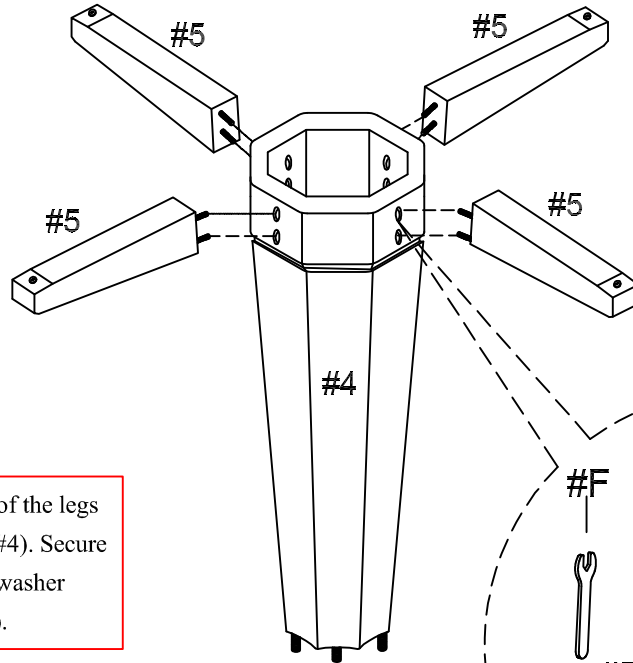
Carton	Designation	Part		Hardware
<b>CM-GM357T-1</b>	Table Top	#1		#A  16pcs #B  16pcs #C  4pcs
	Table Top	#2		#D  1pc #E  12pcs #F  1pc
	Table Top Support Panel	#3		#G  6pcs #H  1pc
	Leg	#5		
	Checkerboard	#6		
	Checkerboard Support	#7		
<b>CM-GM357T-2</b>	Base	#4		

# ASSEMBLY INSTRUCTIONS

## 1

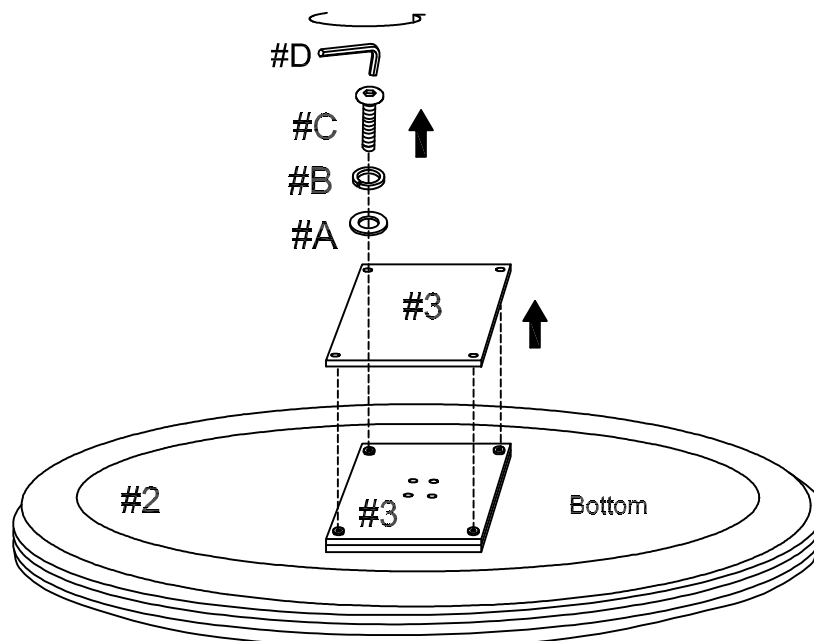
- Part #4 x 1pc
- Part #5 x 4pcs
- Hardware #A x 8pcs
- Hardware #B x 8pcs
- Hardware #E x 8pcs
- Hardware #F x 1pc

Align and insert the threaded bolts of the legs (#5) through the holes of the base (#4). Secure by inserting flat washer (#A), lock washer (#B), then tighten with hex nut (#E).



## 2

Detach table top support panel (#3) by unscrewing the bolts (#C) from the table top (#2).



# ASSEMBLY INSTRUCTIONS

## 3

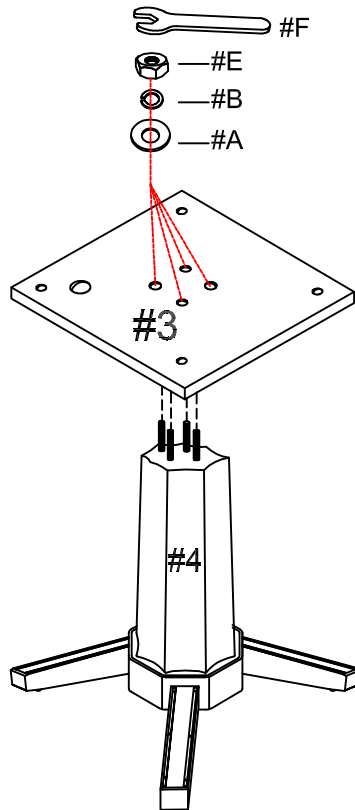
Part #3 x 1pc

Hardware #A x 4pcs

Hardware #B x 4pcs

Hardware #E x 4pcs

Hardware #F x 1pc



Align the table top support panel (#3) to the threaded bolts of the base (#4). Secure by inserting flat washer (#A), lock washer (#B), then tighten with hex nut (#E).

## 4

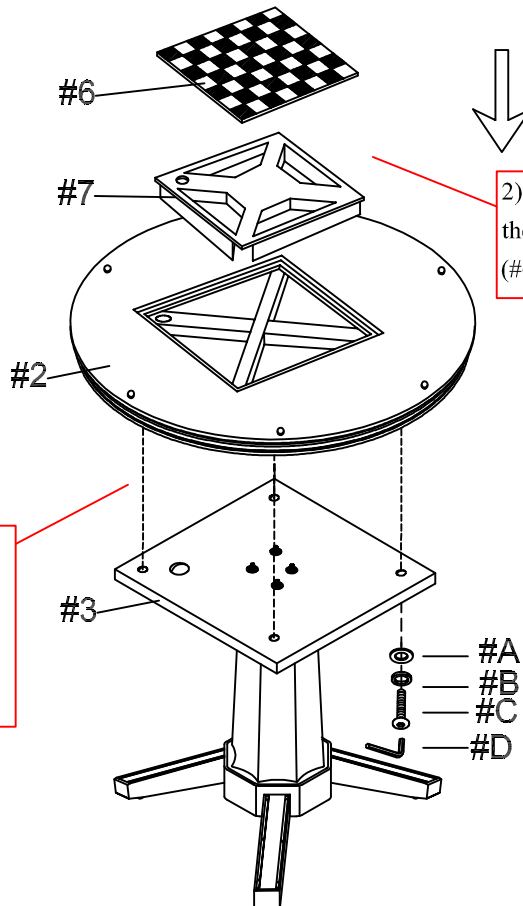
Part #2 x 1pc

Hardware #A x 4pcs

Hardware #B x 4pcs

Hardware #C x 4pcs

Hardware #D x 1pc



2) Place checkerboard support (#7) to the top of the table top (#2), then place the checkerboard (#6) on top of the checkerboard support (#7).

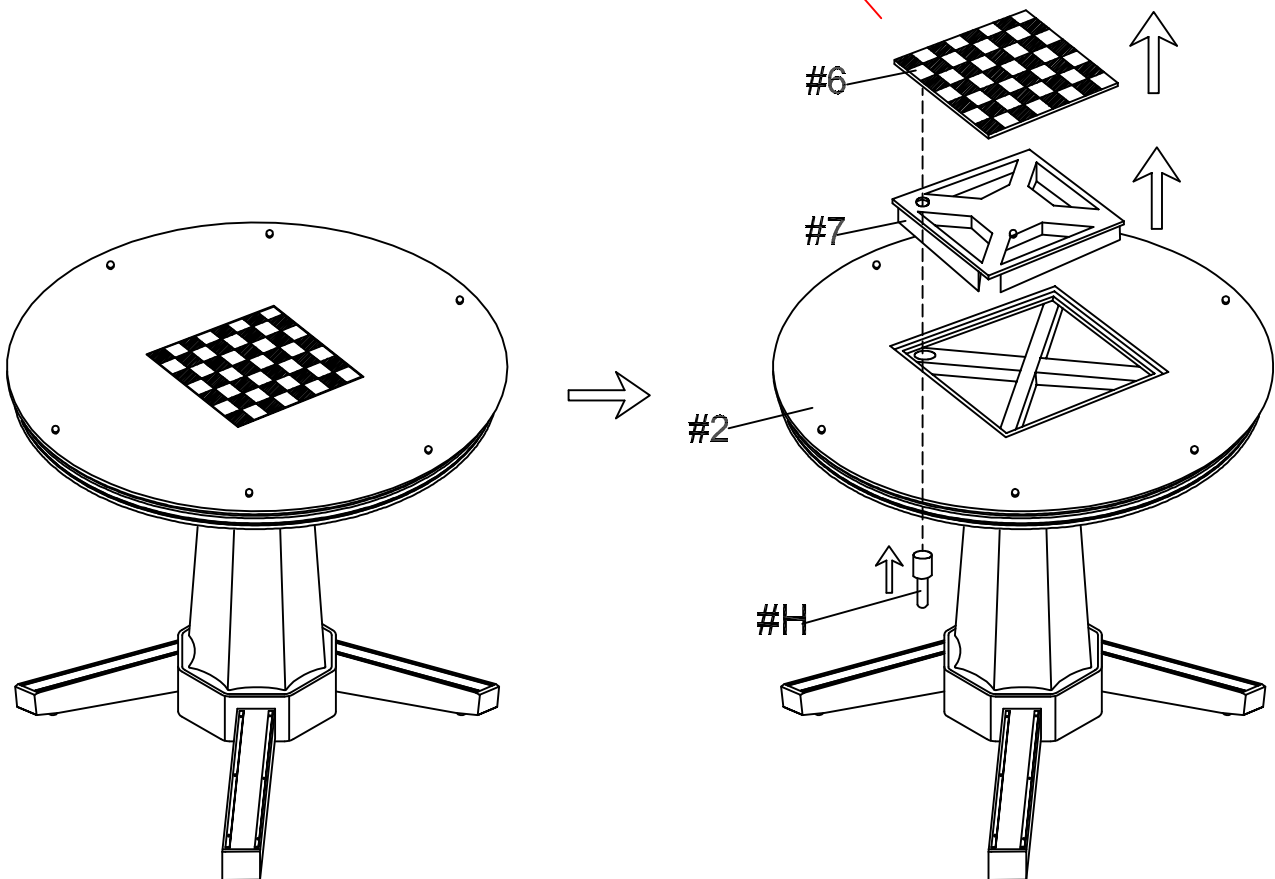
1) Prepare 4 bolts assembly by inserting lock washer (#B), then flat washer (#A) onto bolts (#C). Align table top (#2) to the holes of the table top support panel (#3), then secure with bolts (#C).

# ASSEMBLY INSTRUCTIONS

## 5

Hardware (#H) x1pc

Use the wood push rod (#H) to detach checkerboard support (#7) and checkerboard (#6).

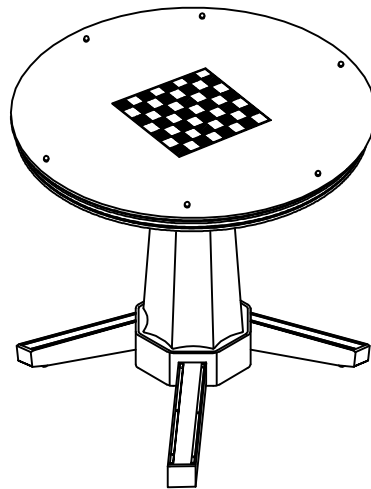
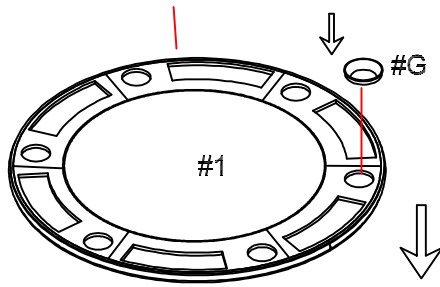


# ASSEMBLY INSTRUCTIONS

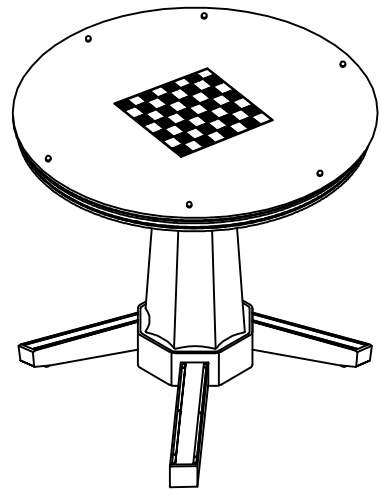
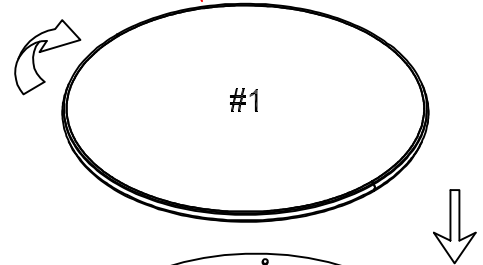
## 6

Part #1 x 1pc  
Hardware #G x 6pcs

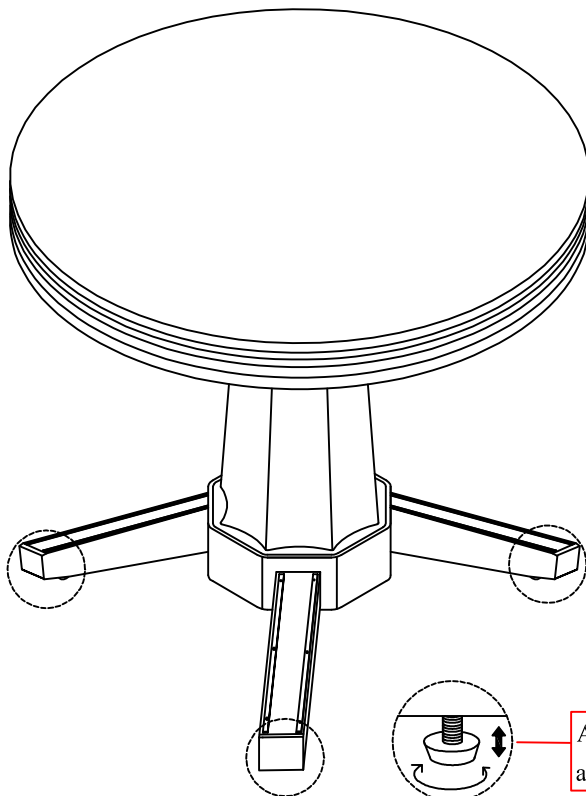
1) Place cork coasters (#G) onto the top panel (#1).



2) You can flip the top panel (#1) to use the flat surface of the top panel (#1).



## 7



Adjust Level

Adjust the adjustable floor protectors according to ground level.

## ASSEMBLY COMPLETED



Please ensure the furniture rests on an even and flat surface. If the product wobbles or feels loose, double-check all bolts and/or screws are properly tightened and secured.



### Keep this handy!

Please retain this instruction manual and any order-related information for future reference.



### Lift, don't drag!

To avoid damage to product please always LIFT the product when transporting or adjusting the placement.