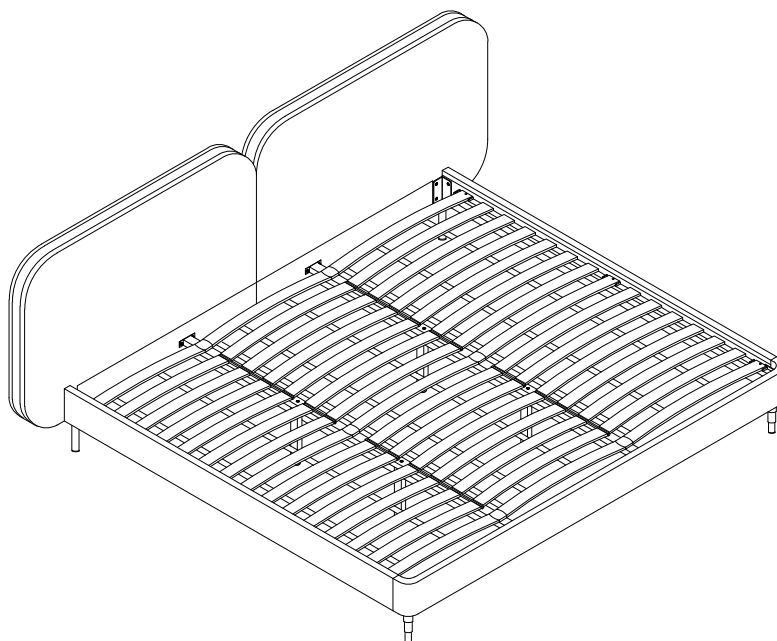


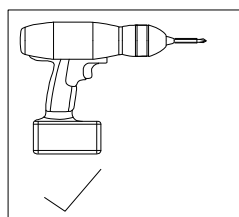
# STANDARD BED



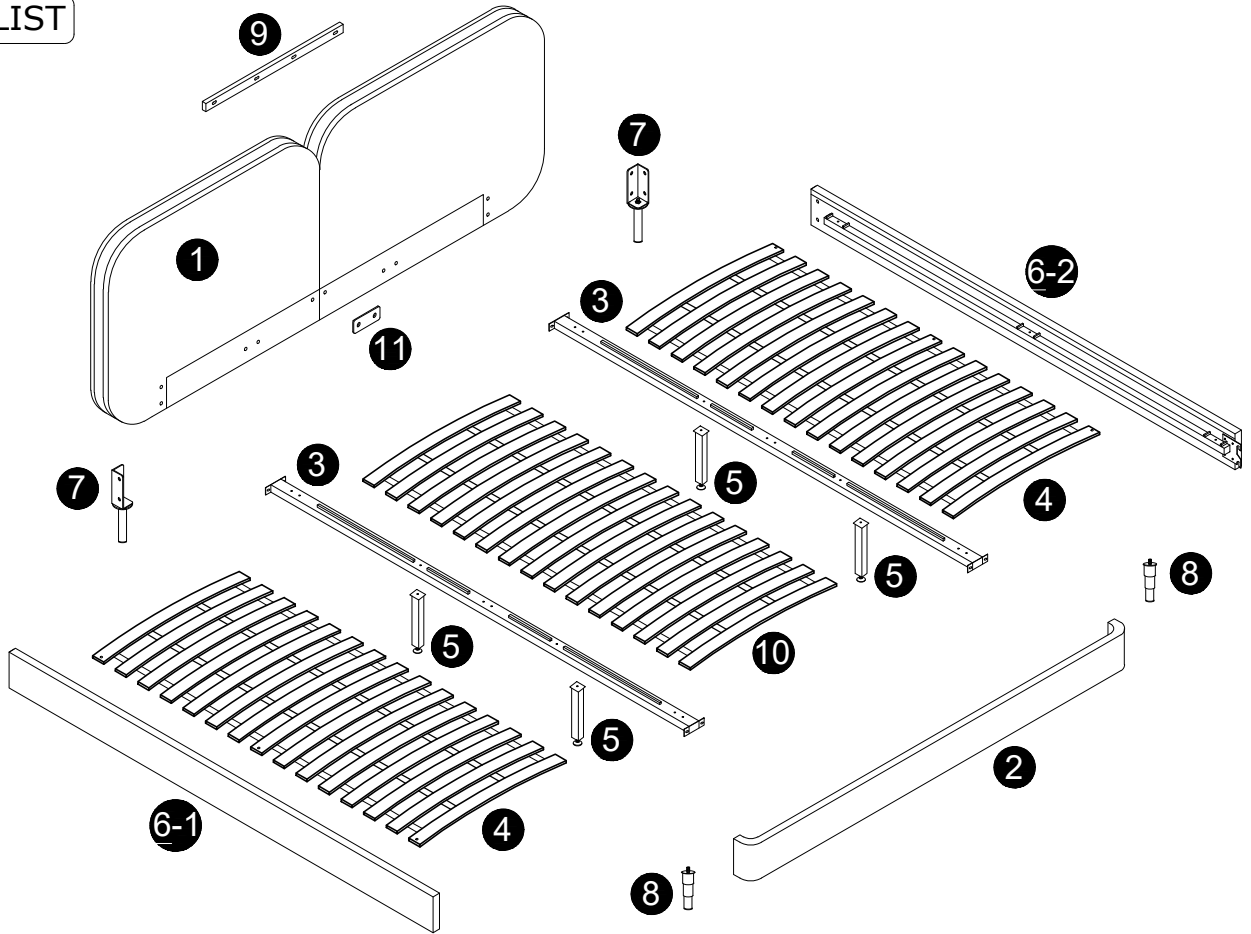
ITEM NUMBER.

## **IMPORTANT NOTE**

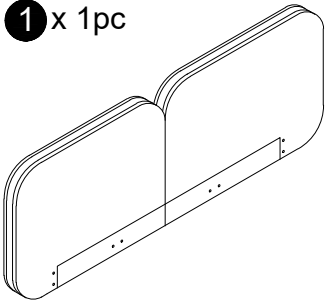
1. FOR THE PROTECTION OF YOUR FURNITURE, PLACE ALL PARTS ON A CLEAN AND SMOOTH SURFACE TO PREVENT ANY DAMAGE.
2. DO NOT USE POWER TOOLS TO ASSEMBLE THE BED.
3. PLEASE PERIODICALLY CHECK ALL FITTINGS AND RE-TIGHTEN AS NECESSARY.
4. DO NOT USE THE BED UNLESS ALL BOLTS AND SCREWS ARE FIRMLY SECURED.
5. NEED PARTS OR ASSISTANCE? EMAIL US AT
6. YOU CAN ASSEMBLE IT WITH OUR PACKAGING TOOLS OR WITH A.



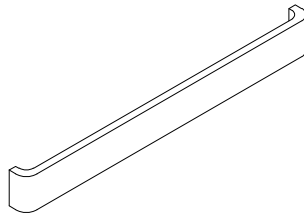
**PART LIST**



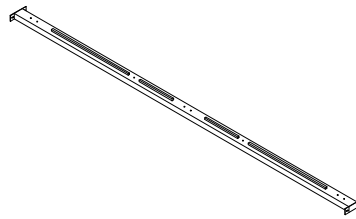
**1** x 1pc



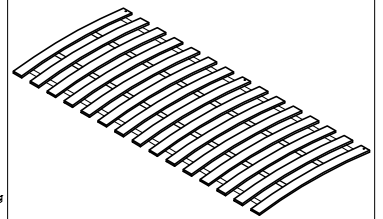
**2** x 1pc



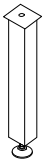
**3** x 2pcs



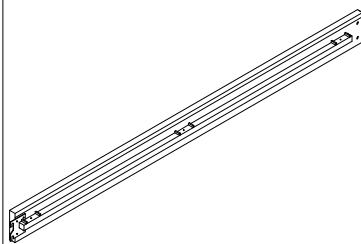
**4** x 2pcs



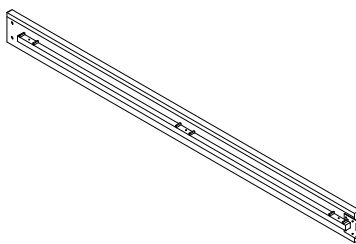
**5** x 4pcs



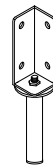
**6-1** x 1pc



**6-2** x 1pc



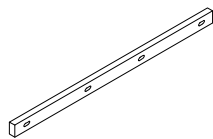
**7** x 2pcs



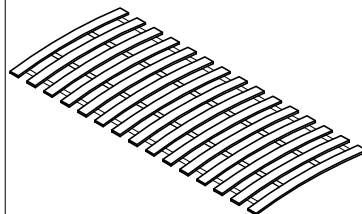
**8** x 2pcs



**9** x 1pc



**10** x 1pc



**11** x 1pc



# HARDWARE LIST



**H1** M5 x 1pc



**H2** M8x25mm x 22pcs



**H3** x 6pcs



**H4** M8x40mm x 8pcs



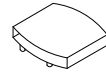
**H5** M8 x 18pcs



**H6** M8x17mm x 26pcs

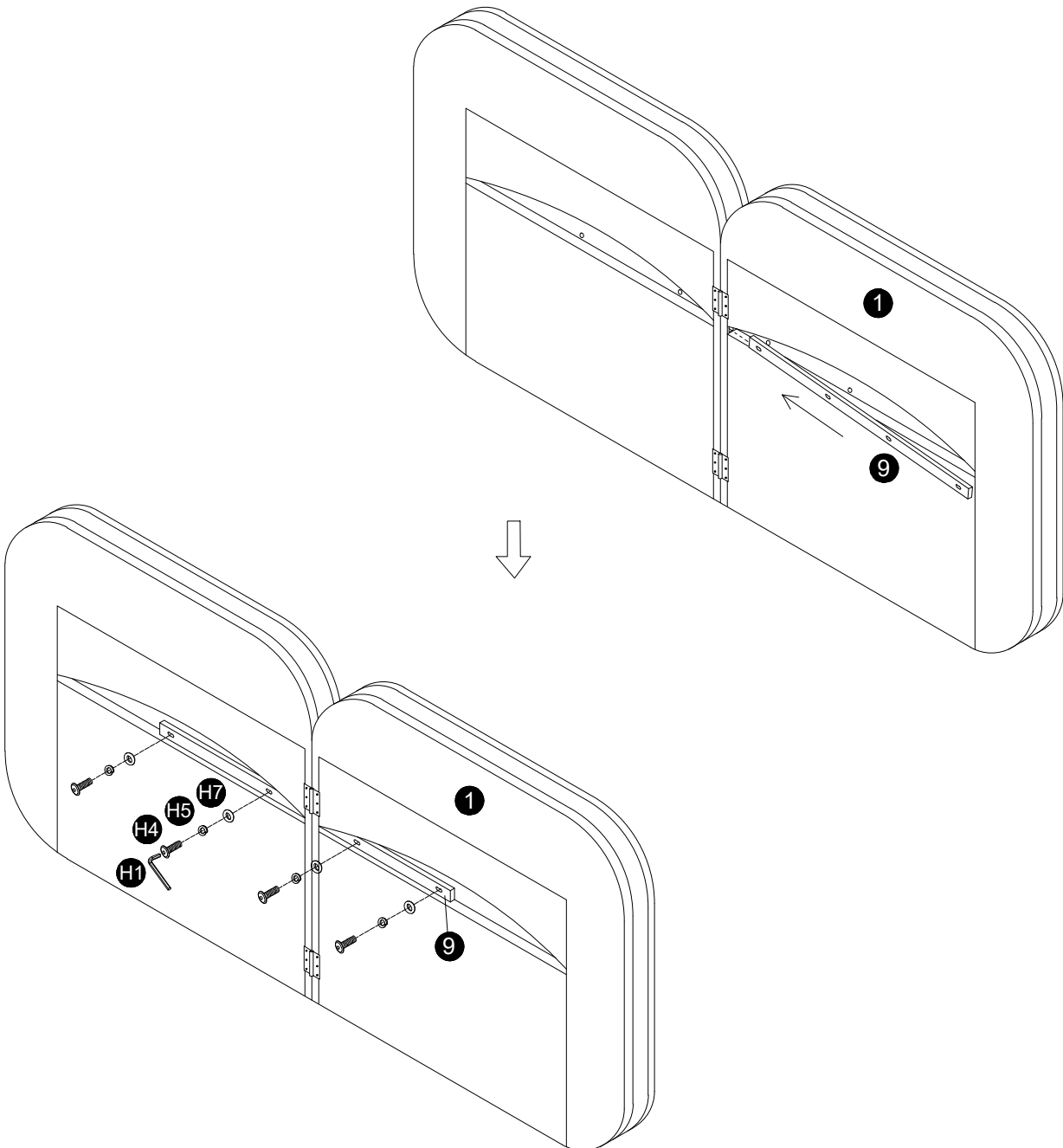


**H7** M8x22mm x 4pcs

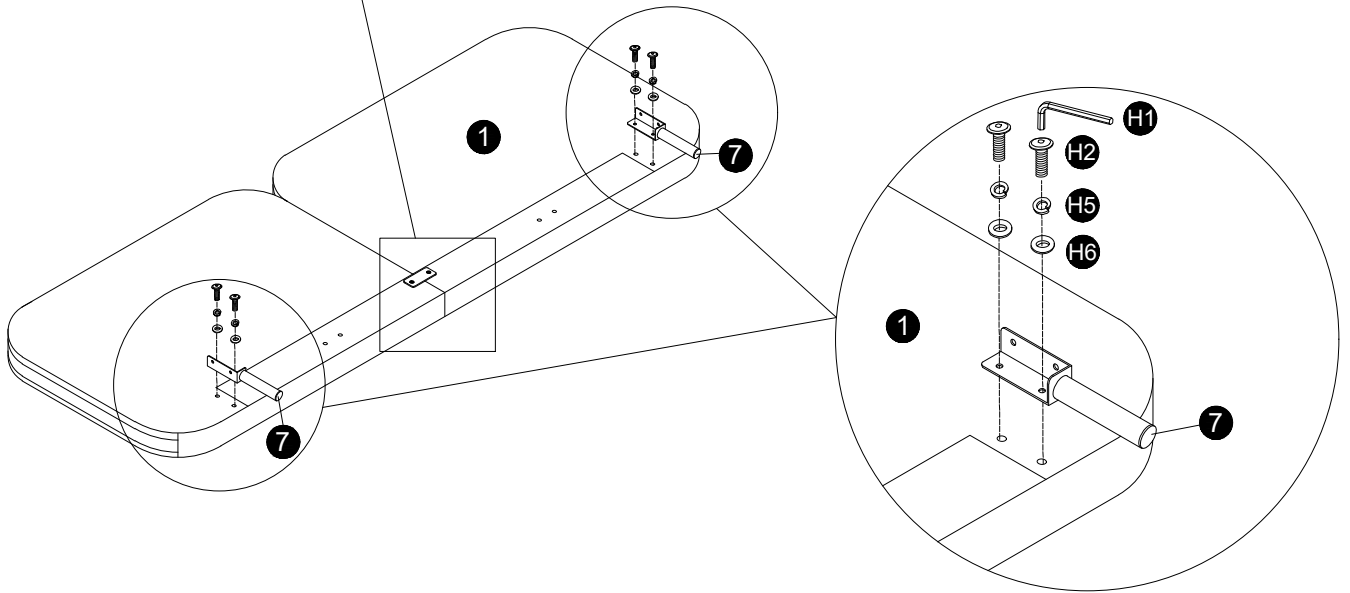
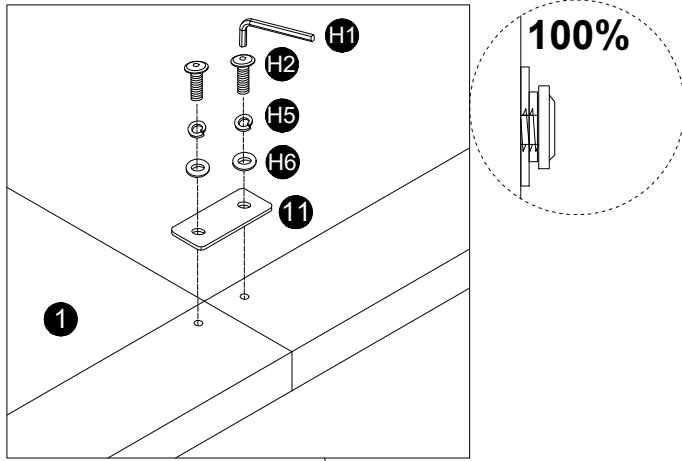


**H8** x 6pcs

1

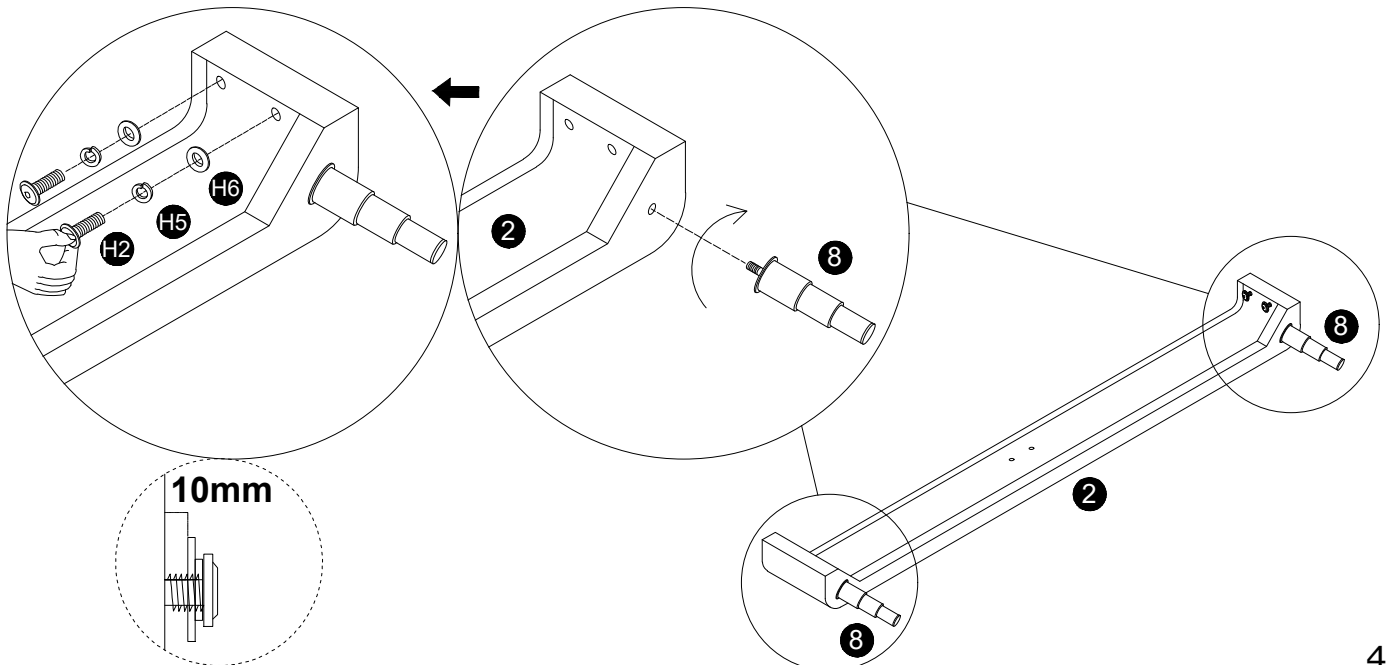


2



**Do not fully tighten fixings!**

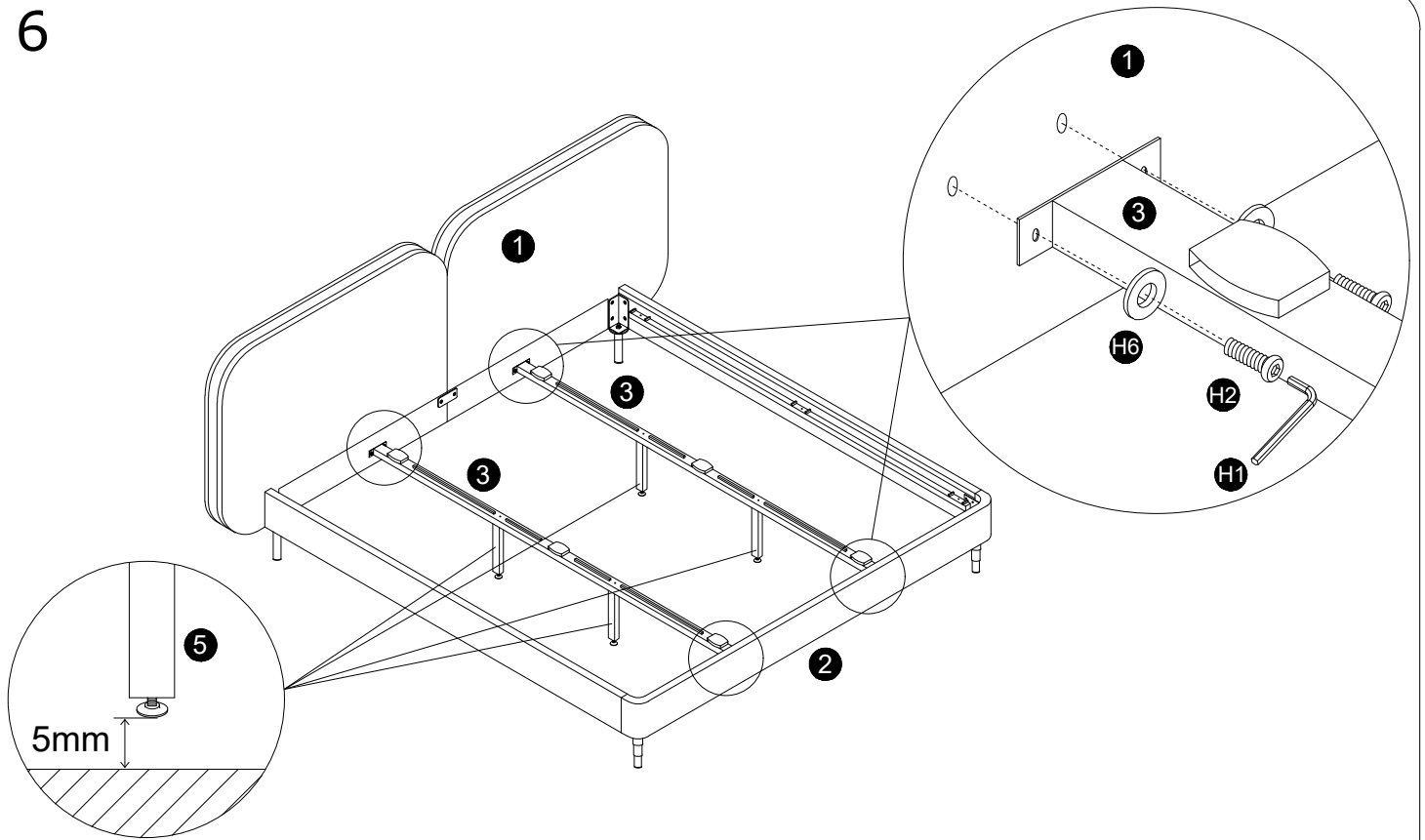
3



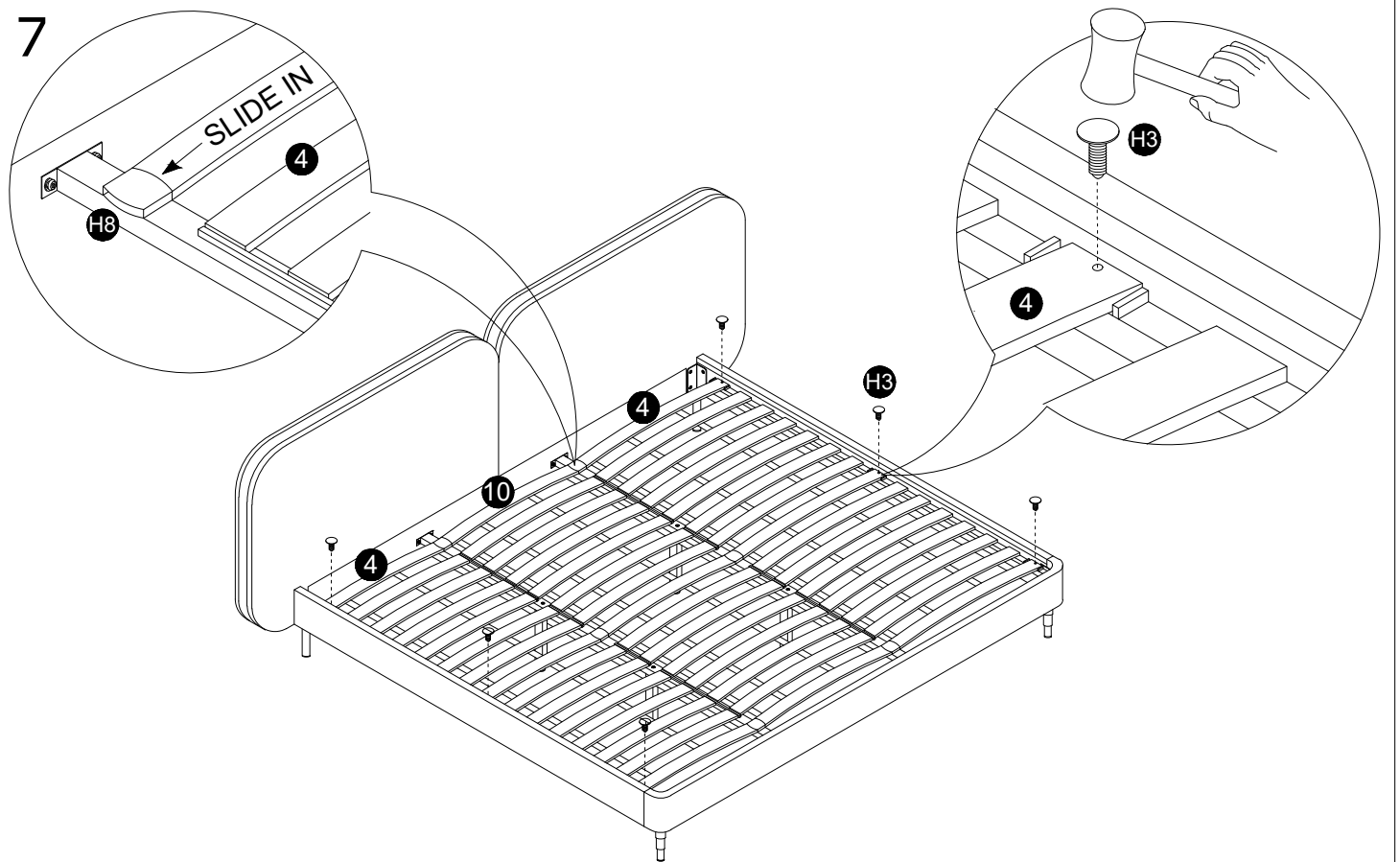
4



6



7



**Job Complete !**

*In the interest of our environment please dispose of all packaging thoughtfully.*