

User Manual

Z6-20251010

Before Assembly

Please read the USER MANUAL thoroughly for quick assembly, and check according to Accessories.



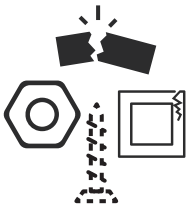
Laying Protection:

To protect the product and your flooring during installation, please lay protection before installation



No Electric Drill:

For longer use, please use the installation tools supplied with the product.



Missing Parts or Broken:

Please feel free to contact us via Amazon Orders or Customer Support Email. We promise to ship the missing or replacement parts to you free of charge.

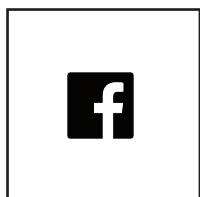


Any questions?

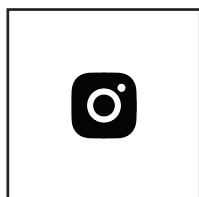
Please do not hesitate to contact us!



jeelgool2025@outlook.com



Facebook



Instagram

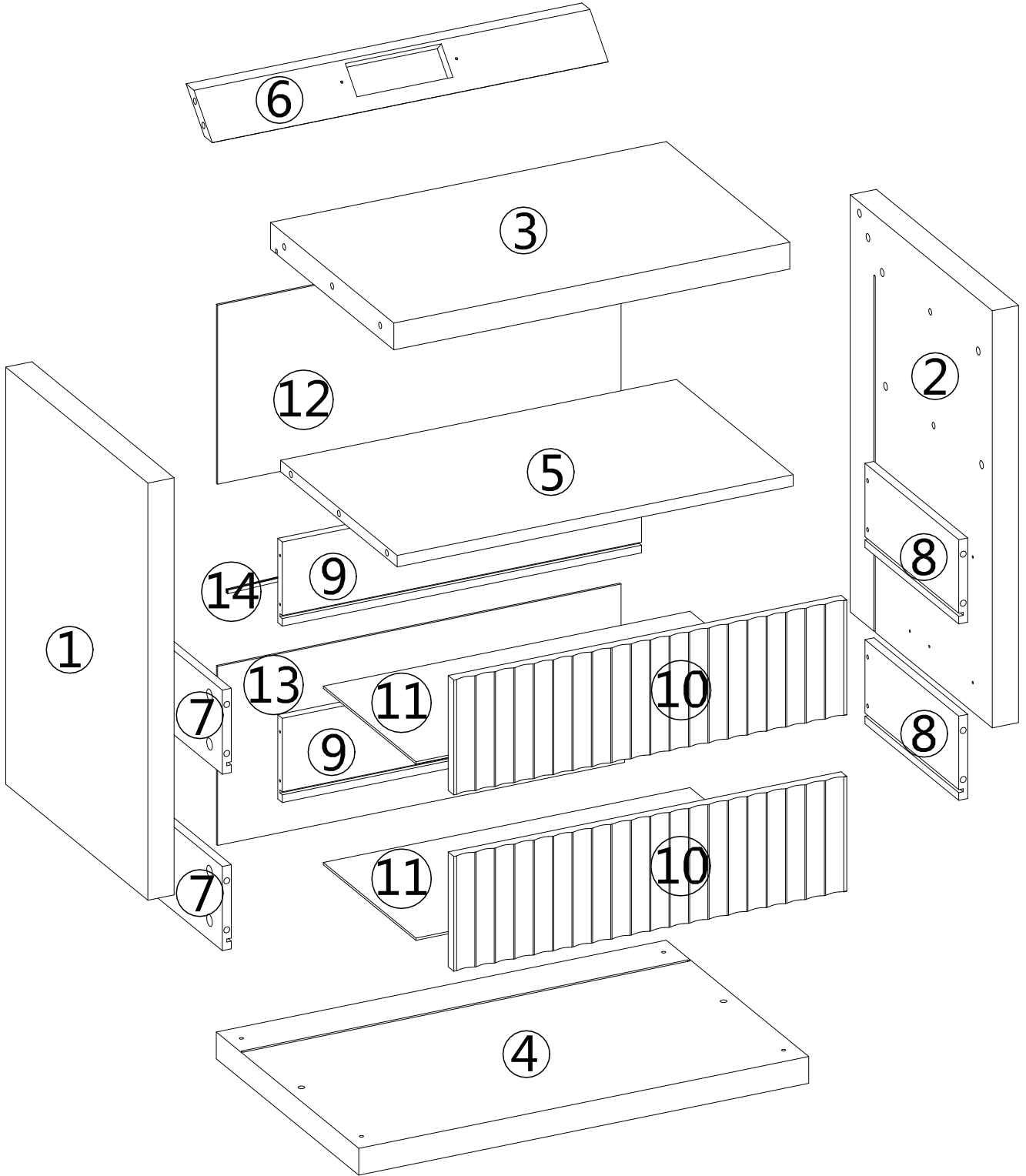


YouTube

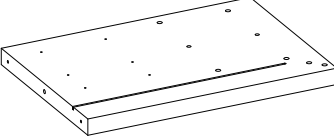
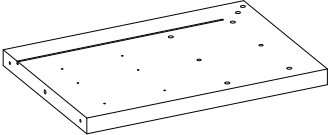
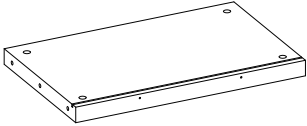
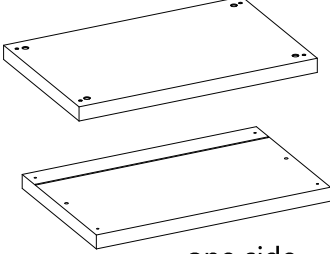
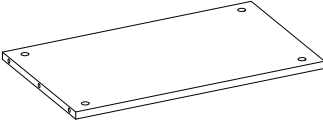
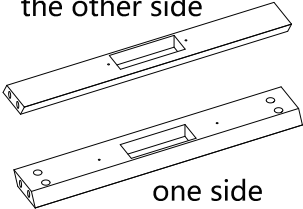
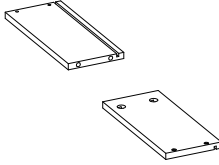
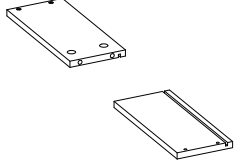
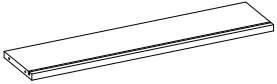
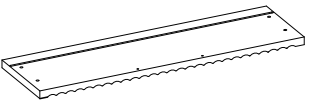
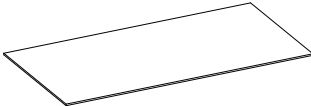
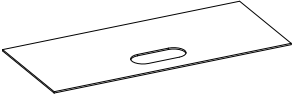
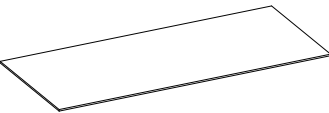



TikTok

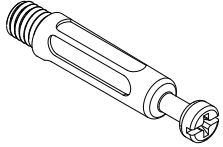
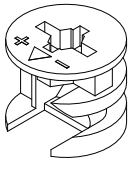
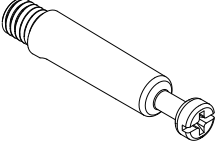
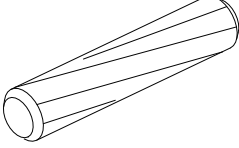
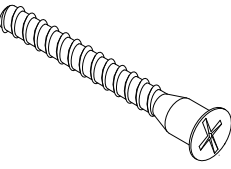
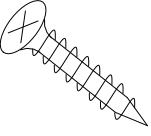
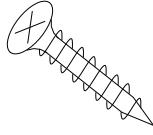
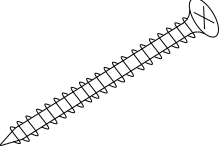
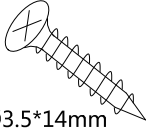
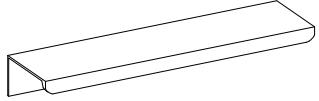
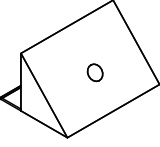
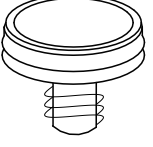
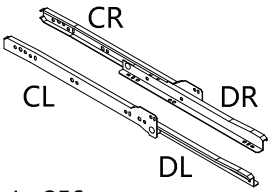
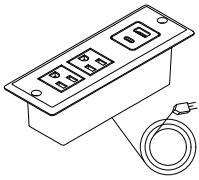
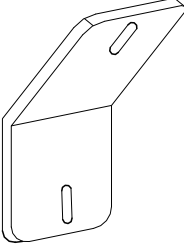
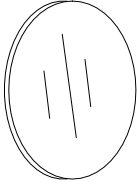

Disassembly Diagram



Accessories

<p>① x1</p> 	<p>② x1</p> 	<p>③ x1</p> 	<p>④ x1</p> <p>the other side</p>  <p>one side</p>
<p>⑤ x1</p> 	<p>⑥ x1</p> <p>the other side</p>  <p>one side</p>	<p>⑦ x2</p> <p>the other side</p>  <p>one side</p>	<p>⑧ x2</p> <p>the other side</p>  <p>one side</p>
<p>⑨ x2</p> 	<p>⑩ x2</p> 	<p>⑪ x2</p> 	<p>⑫ x1</p> 
<p>⑬ x1</p> 	<p>⑭ x1</p>  <p>L=526mm</p>		

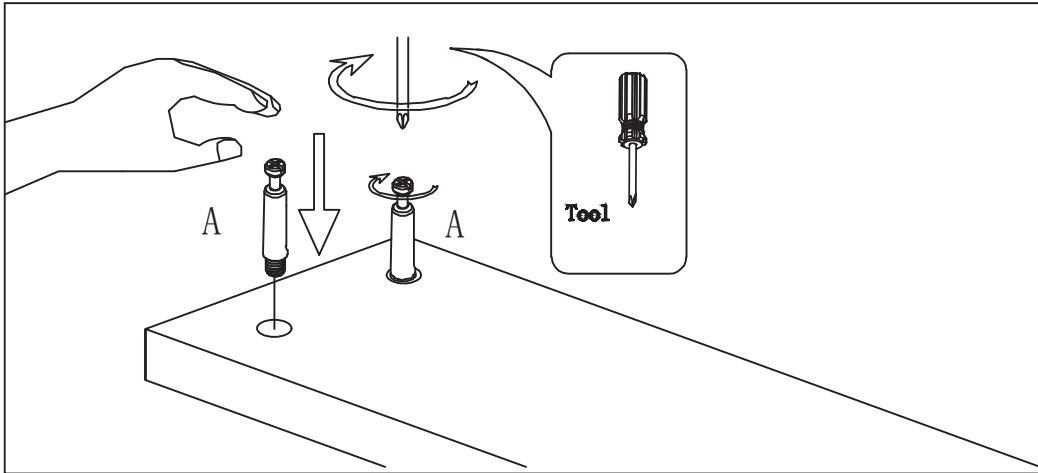
Accessories

<p>A x12</p> 	<p>B x20</p> 	<p>C x8</p> 	<p>E x6</p>  <p>Ø8*30mm</p>
<p>F x4</p>  <p>Ø5*50mm</p>	<p>G x18</p>  <p>Ø3*14mm</p>	<p>H x12</p>  <p>Ø3.5*12mm</p>	<p>I x8</p>  <p>Ø3.5*30mm</p>
<p>J x6</p>  <p>Ø3.5*14mm</p>	<p>K x2</p> 	<p>L x6</p> 	<p>M x4</p> 
<p>N x2</p>  <p>L=250mm</p>	<p>O x1</p> 	<p>P x2</p> 	<p>Q x24</p> 
<p>R x1</p> 			

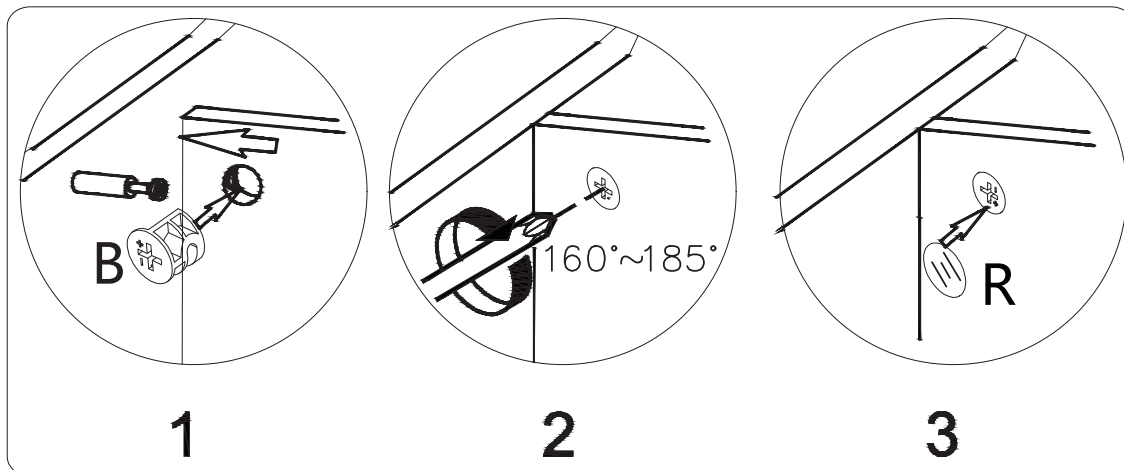
Hard ware installation demonstration.

NOTE: Please make sure when inserting part A, it is fully swisted into the board that it can't be pulled out. (as shown)

Please use a tool to complete the process.

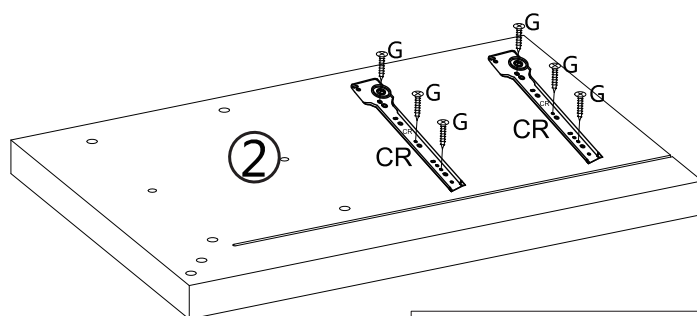
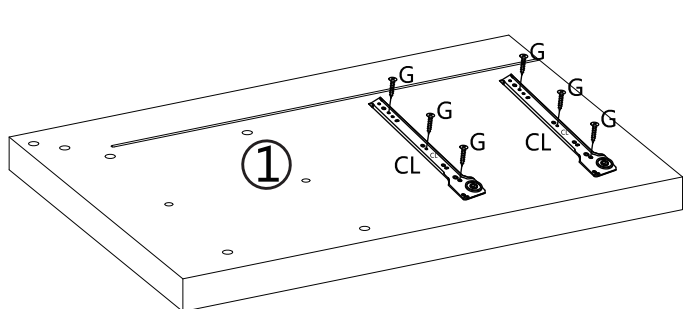
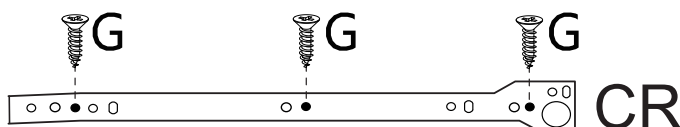
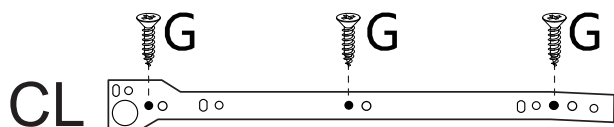




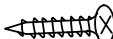
NOTE: Please make sure part B is locked correctly as shown.



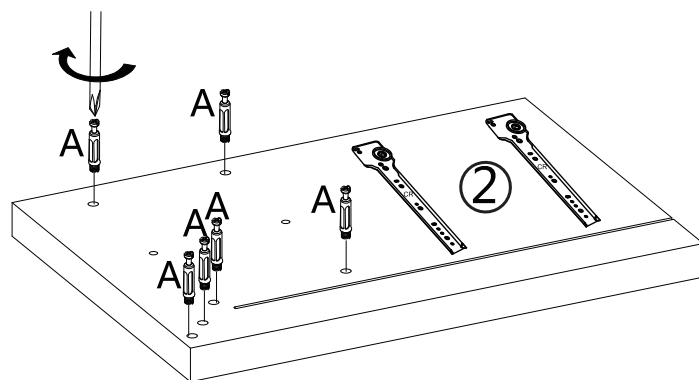
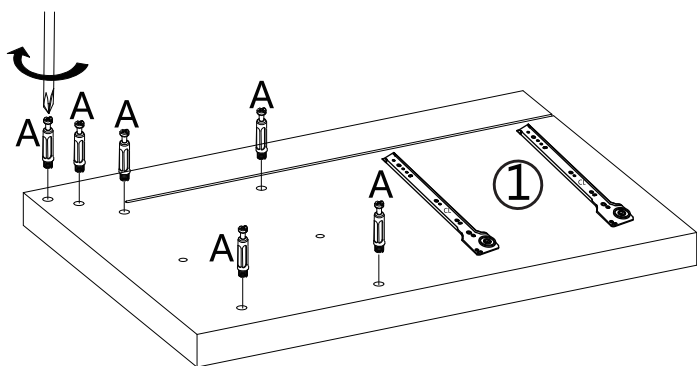
Assembly Instructions


Step 1: Secure part CL onto plate 1 with screw G.
 Secure part CR onto plate 2 with screw G.
 ! Please do not mess up CL with CR !



	CL 2PCS
	CR 2PCS
	G 12PCS

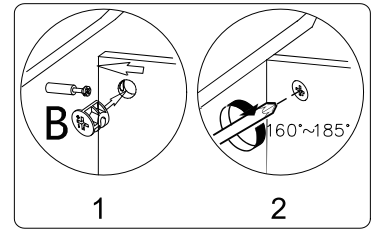
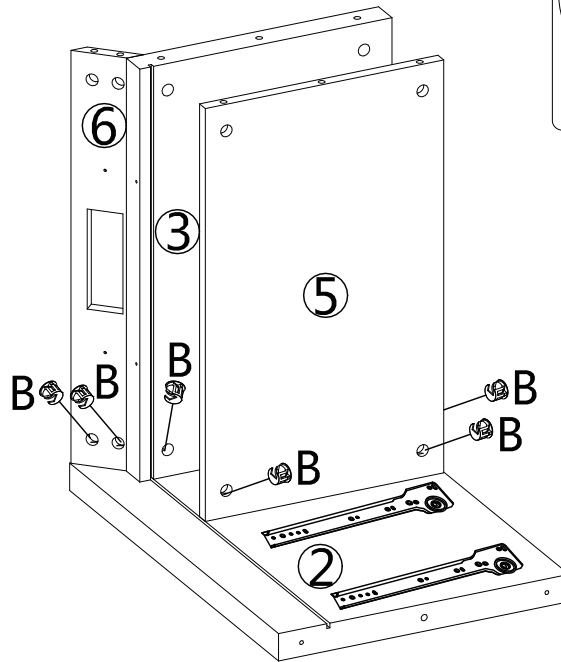
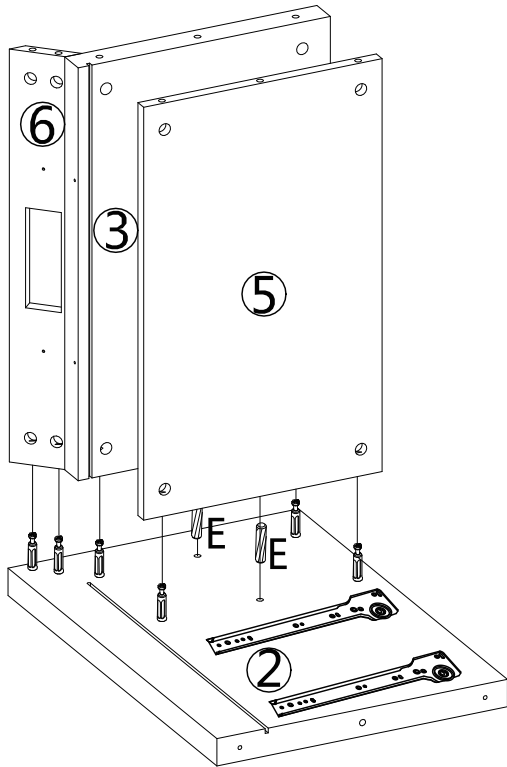
Step 2: Install A into the white plastic holes of plates 1/2.


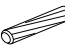


	A 12PCS
---	---------

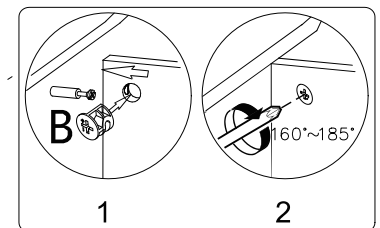
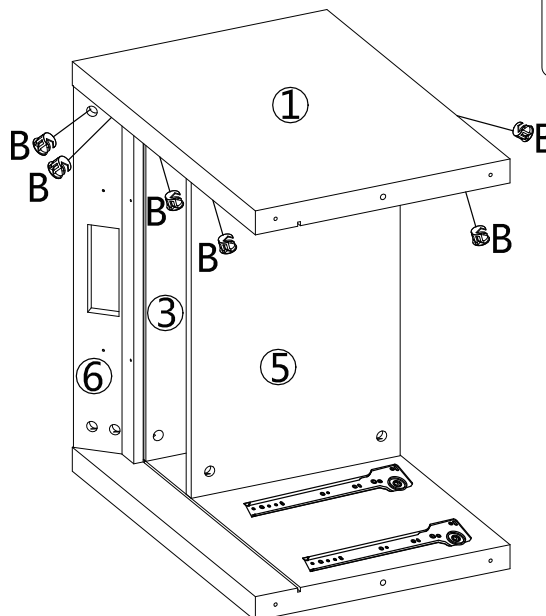
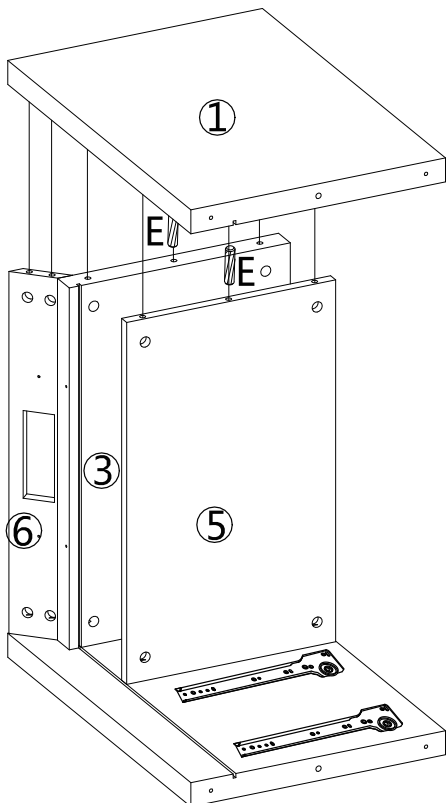
Assembly Instructions



Step 3: Fix the part 6&3&5 on the plate 2 with part E and screw part B into the structure.



	B	6PCS
	E	2PCS

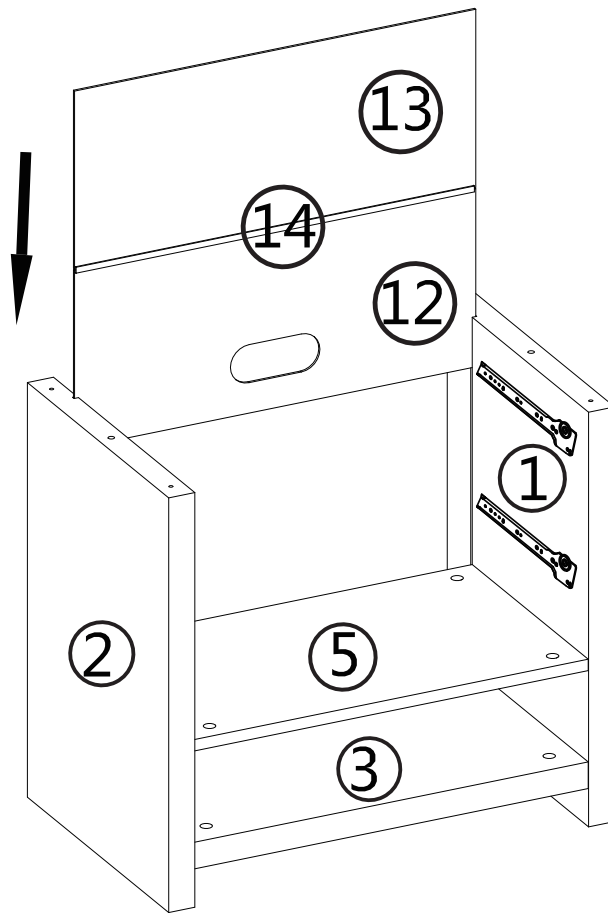
Step 4: Fix the plate 1 on the frame with part E and screw part B in to the structure



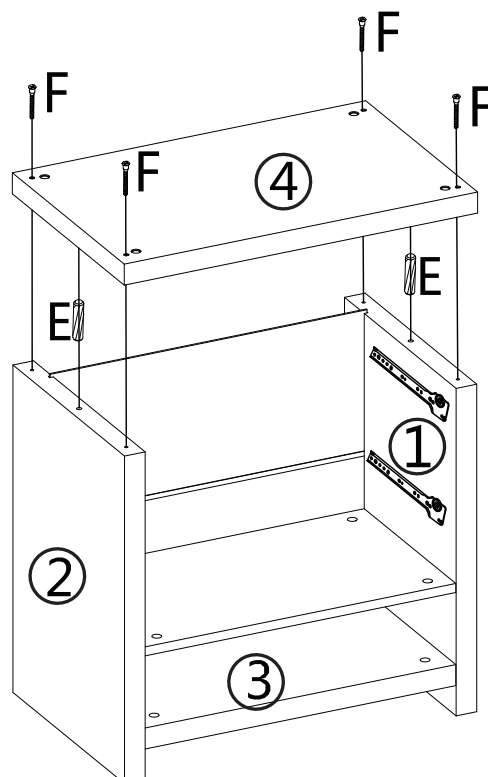
	B	6PCS
	E	2PCS



Assembly Instructions

Step 5: Turn around the structure, make sure part 3 is facing downwards. Insert part 12, 14 & 13 into plate 2 & 1.



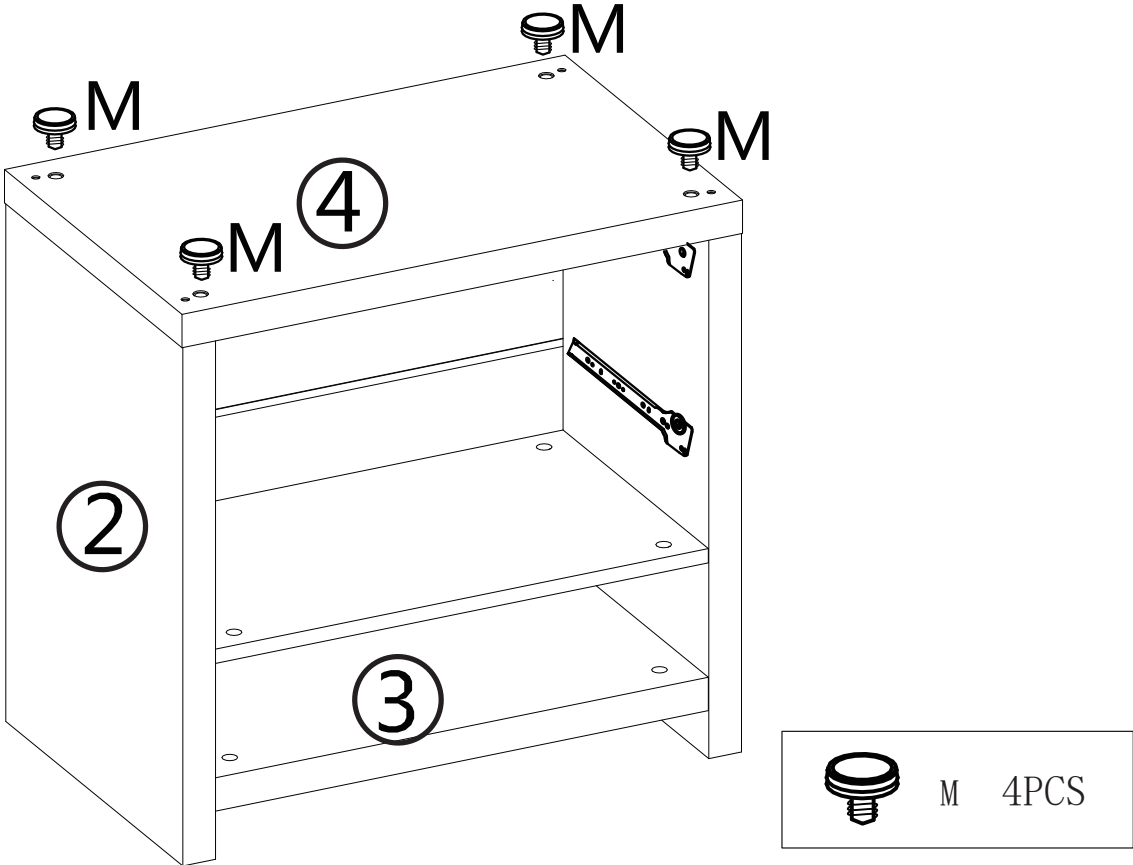
Step 6: Attach plate 4 onto plate 2 & 1 using part E and screw F. Make sure to attach part E first, before screw in screw F.



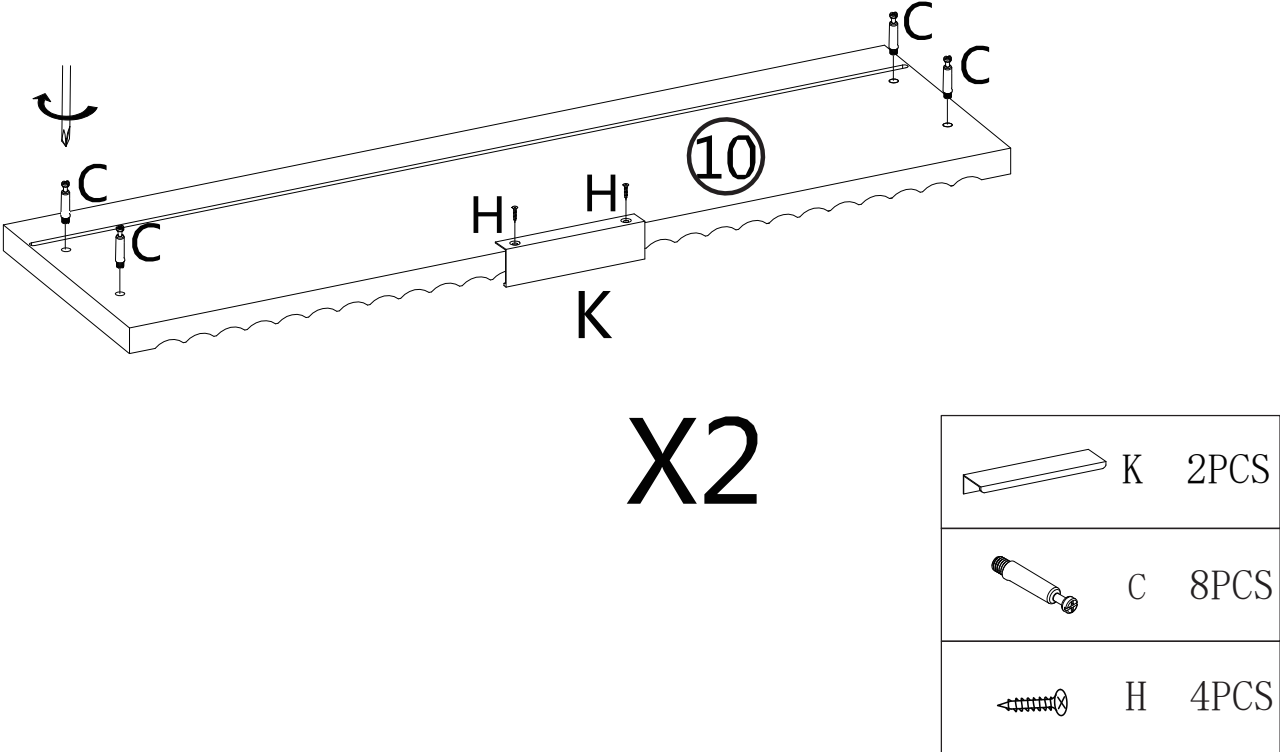
	E	2PCS
	F	4PCS

Assembly Instructions

Step 7: Install foot M onto the bottom surface of Plate 4

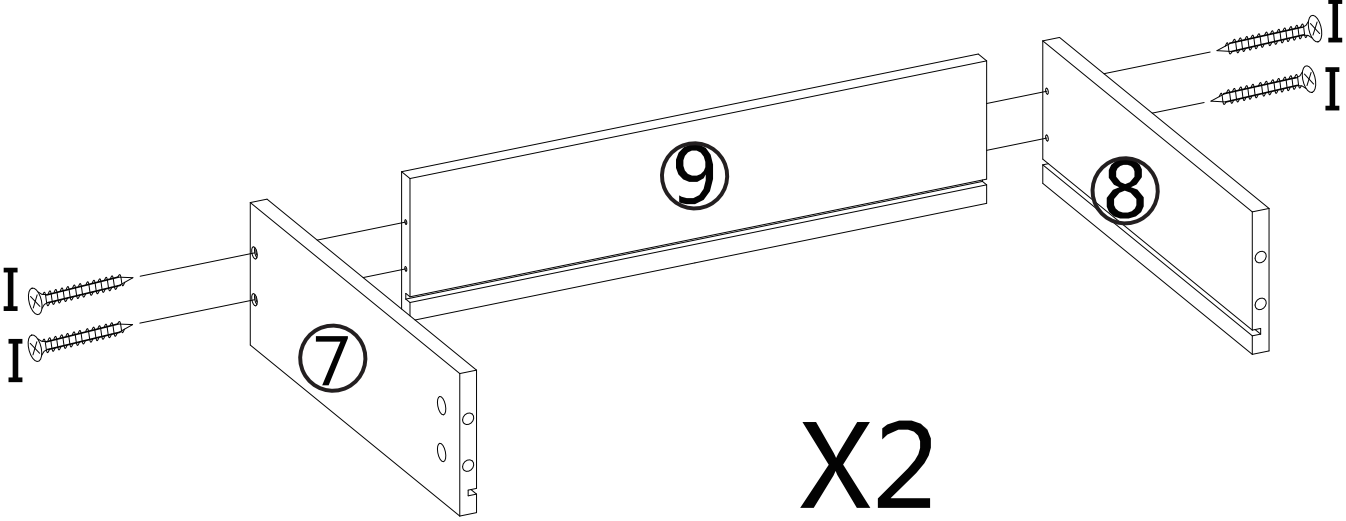


Step 8: Insert part C onto plate 10.
Attach part K onto plate 10 using screw H.

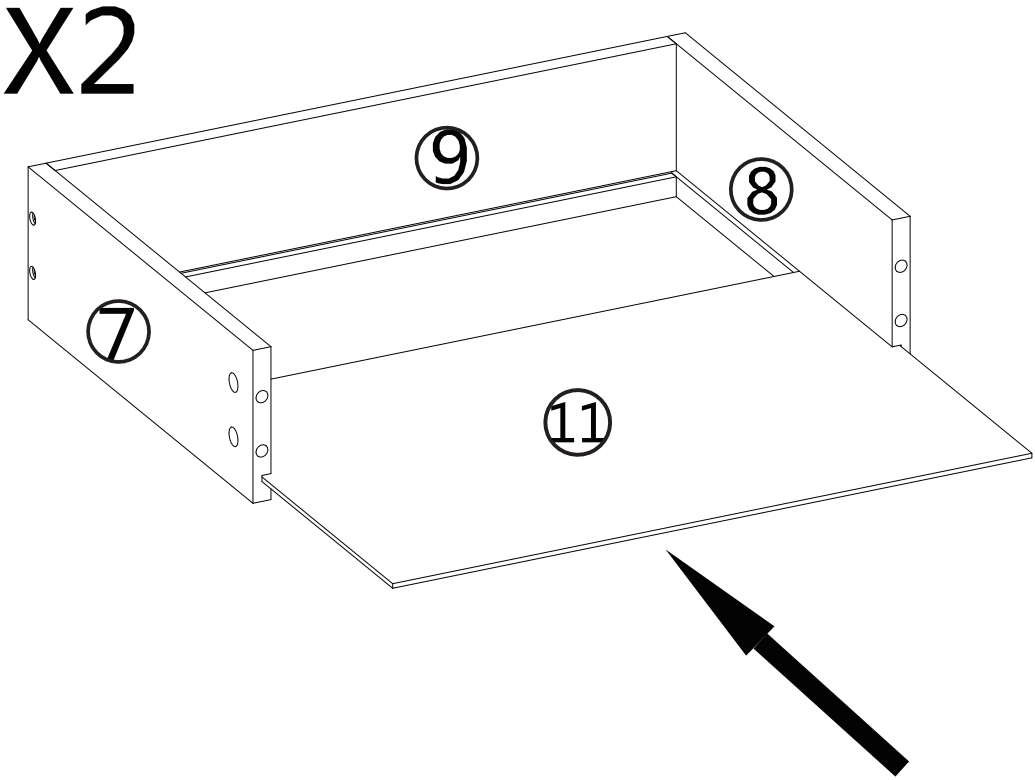


Assembly Instructions

Step 9: Secure Plate 7/8 to Plate 9 with I

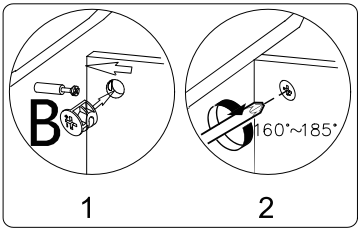
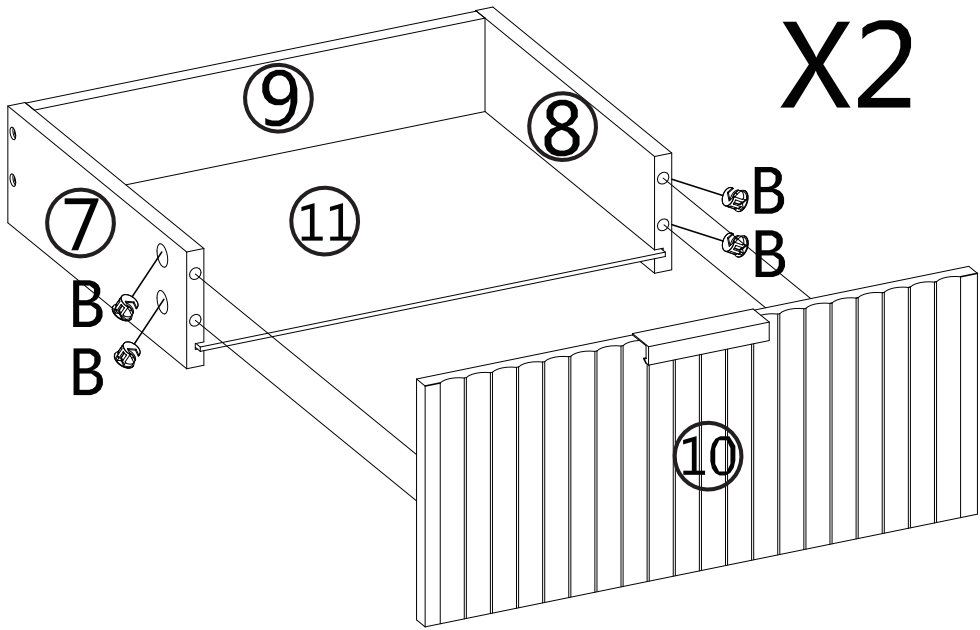


Step10: Insert Panel 11 into the grooves of Plates 7/9/8.



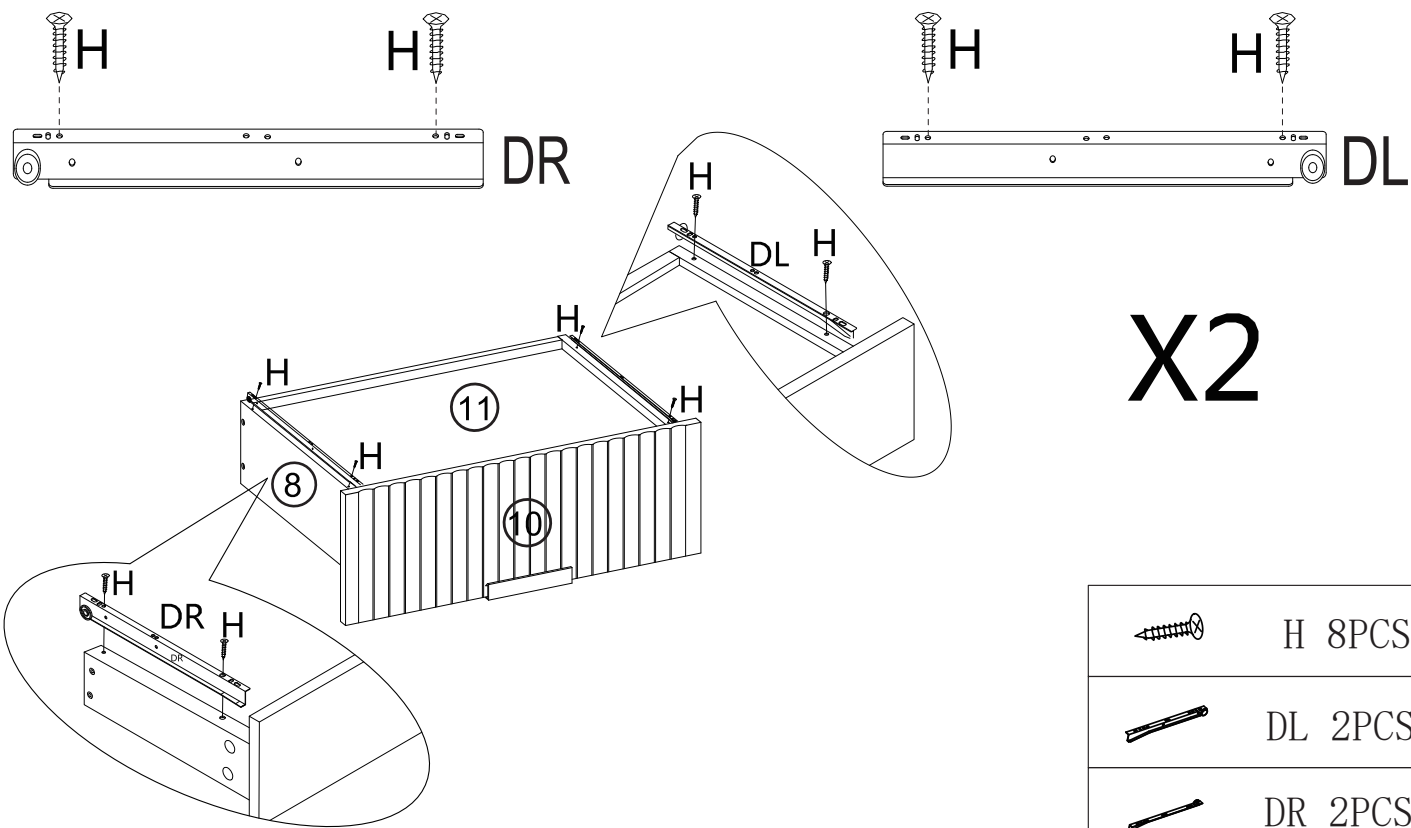
Assembly Instructions




Step11: Attach plate 10 onto plate 7 & 8 and secure it with part B.



	B	8PCS
---	---	------

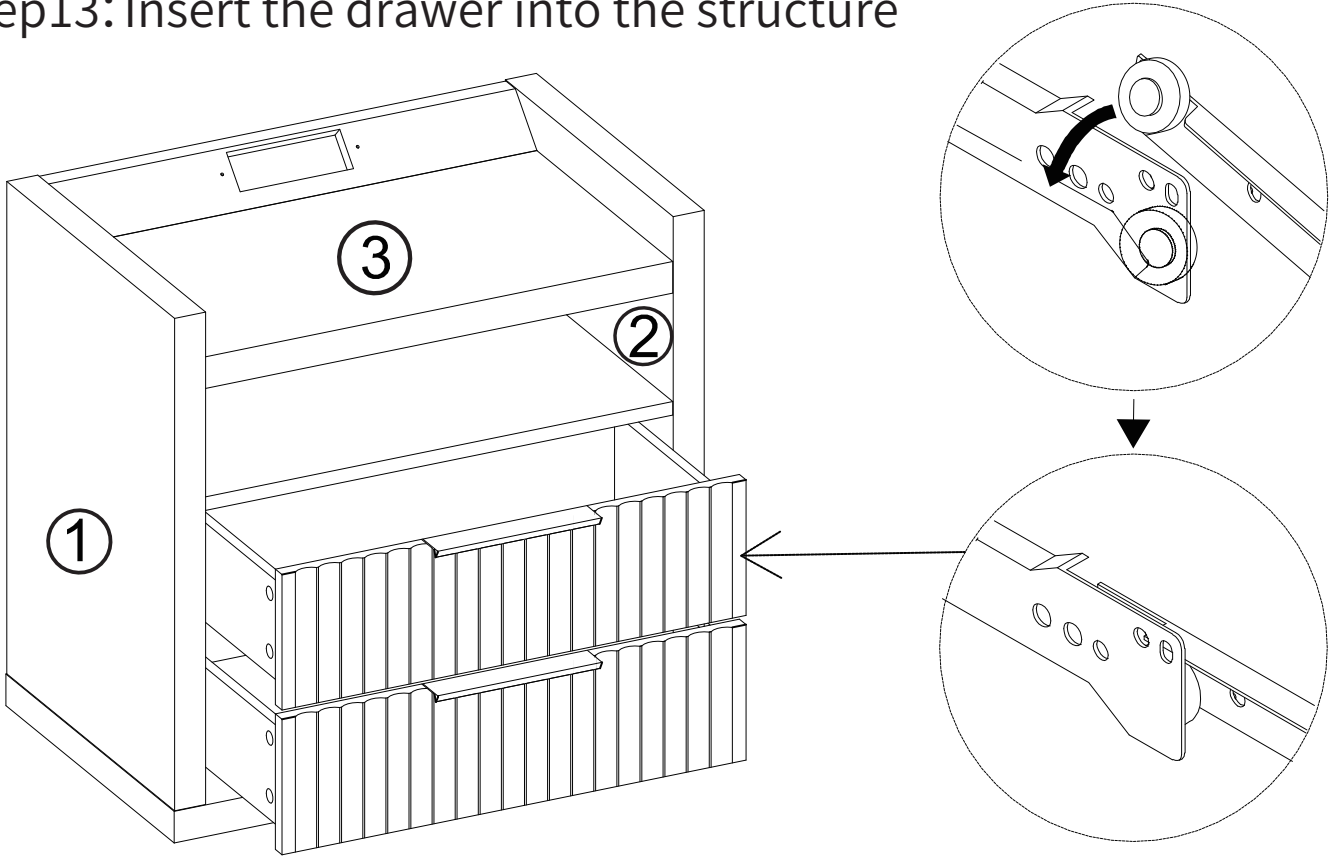
Step12: Install part DL & DR onto the drawer using screw part H.



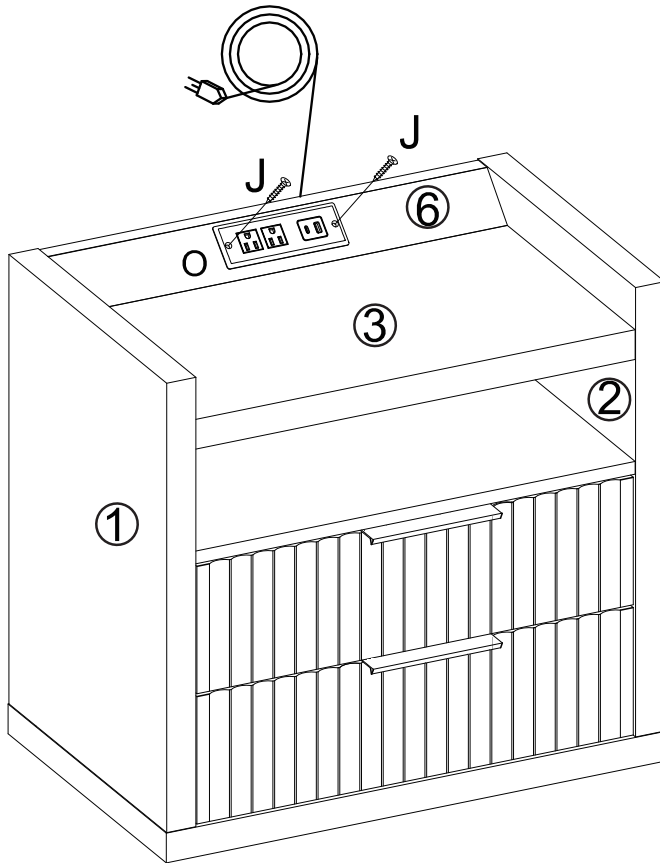
	H	8PCS
	DL	2PCS
	DR	2PCS



Assembly Instructions

Step13: Insert the drawer into the structure



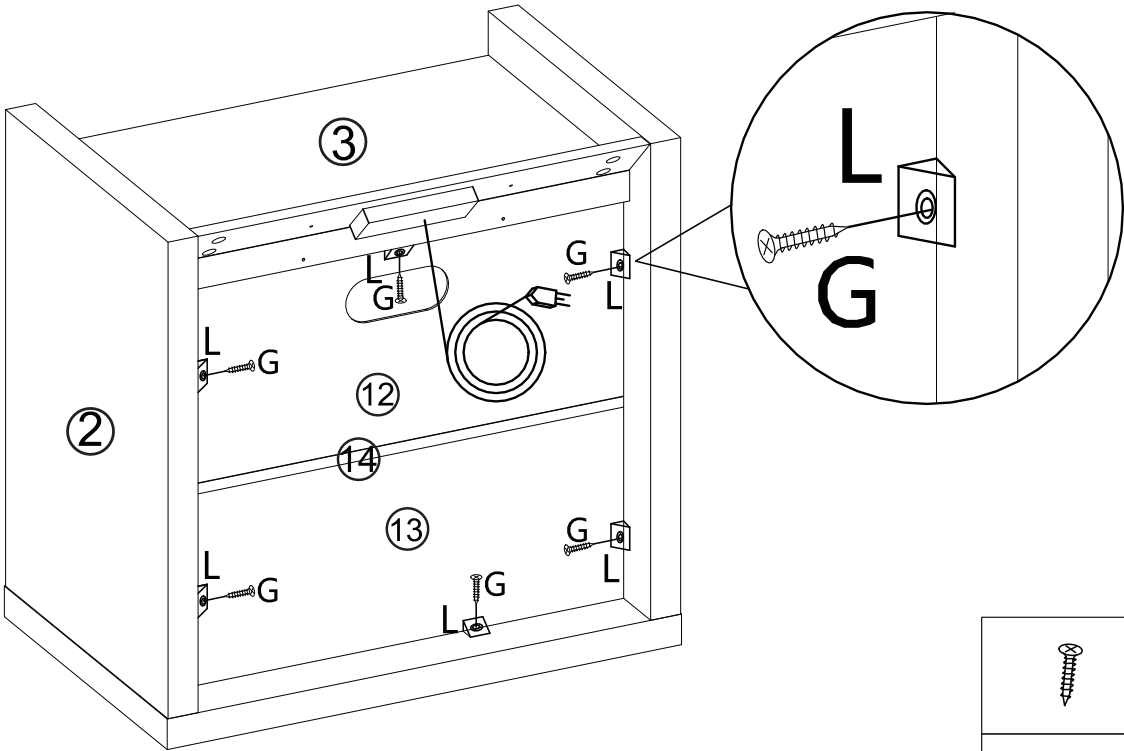
Step14: Install O onto Plate 6 with J





	J	2PCS
	O	1PC

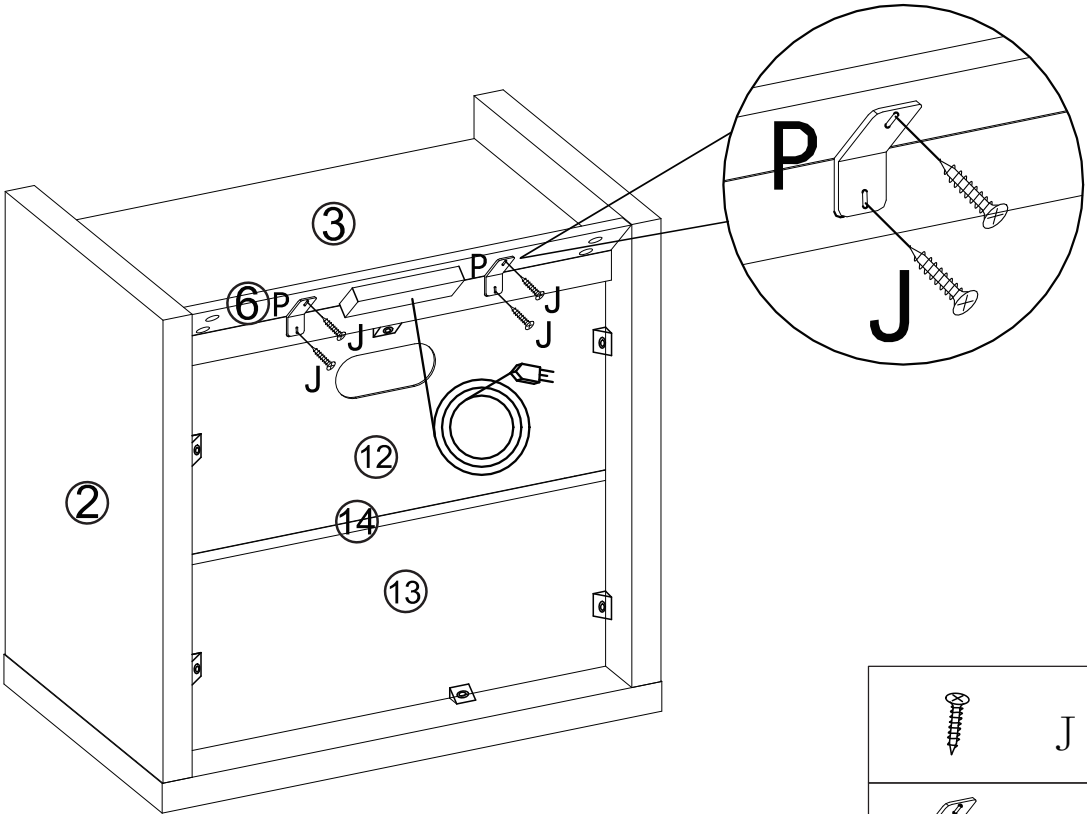
Assembly Instructions



Step15: Secure L to Plates 12/13 with G.

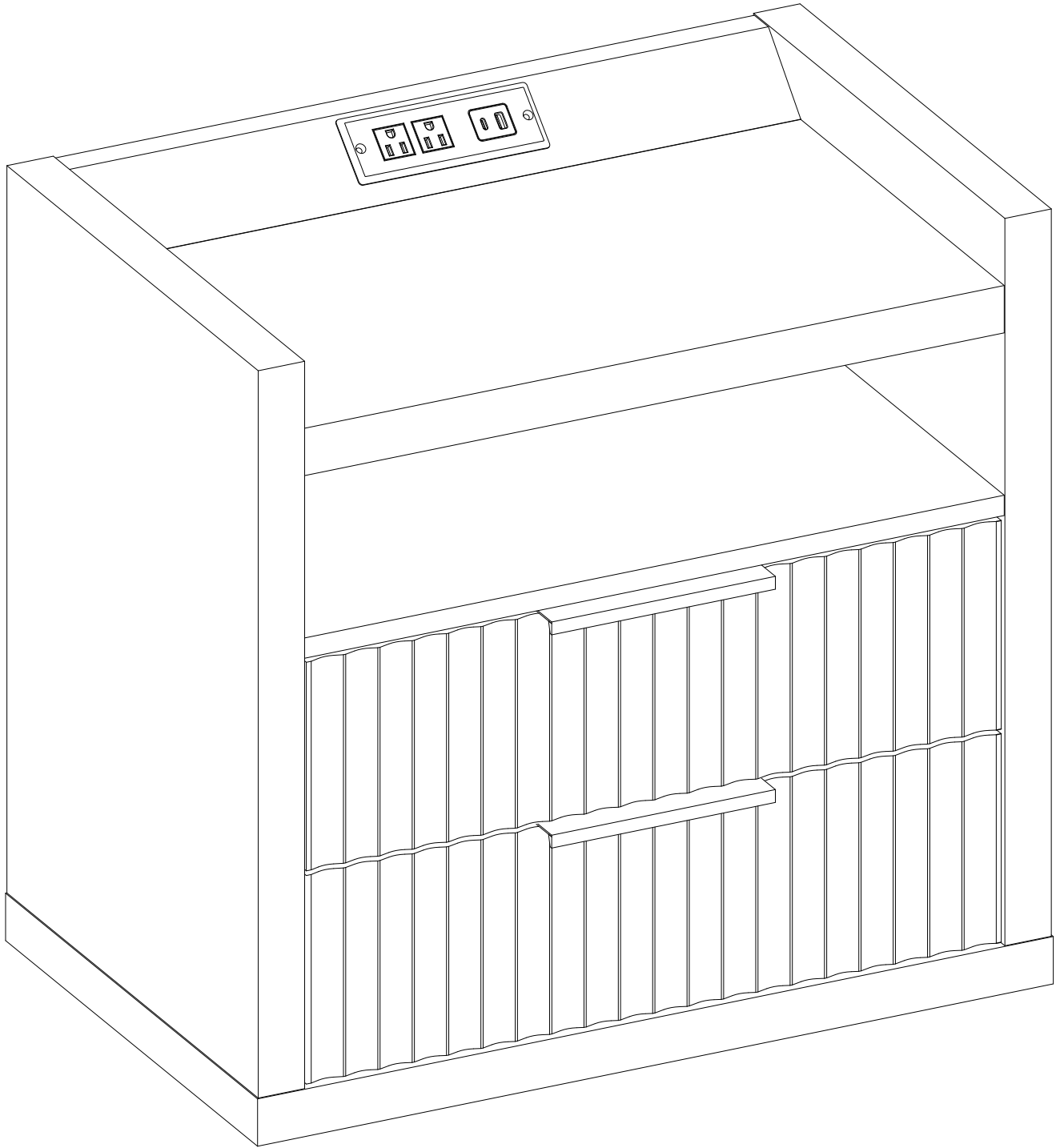


	G	6PCS
	L	6PCS







Step16: Connect and secure Plates 3 and 6 with Component P and J



	J	4PCS
	P	2PCS



Problems You May Encounter

PROBLEMS	SOLUTIONS
Non-human caused damage during usage.	Please Keep the product and send us photos of it. We will ascertain the cause of the product damage within 48 hours and provide a satisfactory solution.
Mismatch of screw hole positions between components.	<ol style="list-style-type: none"> 1. Please tighten the screws on the board by 70%, do not tighten completely. 2. Adjust the direction of the component to check that the wrong hole position has not been selected.
Product is unstable after being assembled.	<ol style="list-style-type: none"> 1. Check if the screws are tightened. 2. Read through out the manual, check are there any parts installed incorrectly or missing assembled.
Any missing or damaged components.	To solve the problem. We are committed to providing you with Free component shipping and replacement
<p>More problems or the above problems could not be solved.</p>	<p>  Contact us, We will support you! </p> <p>  jeelgool2025@outlook.com </p> <div style="display: flex; flex-wrap: wrap; justify-content: space-around;"> <div style="border: 1px solid black; width: 40px; height: 40px; margin: 5px; display: flex; align-items: center; justify-content: center;"></div> <div style="border: 1px solid black; width: 40px; height: 40px; margin: 5px; display: flex; align-items: center; justify-content: center;"></div> <div style="border: 1px solid black; width: 40px; height: 40px; margin: 5px; display: flex; align-items: center; justify-content: center;"></div> <div style="border: 1px solid black; width: 40px; height: 40px; margin: 5px; display: flex; align-items: center; justify-content: center;"></div> </div>