



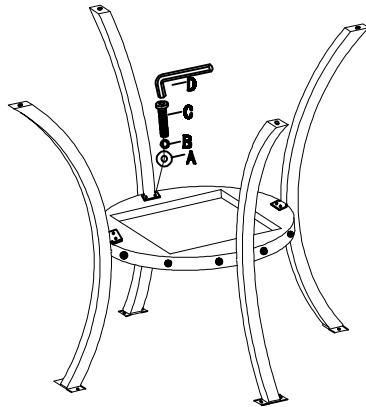


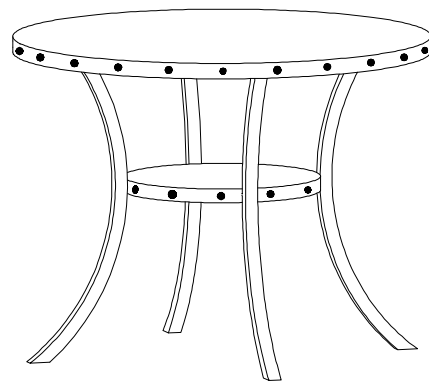
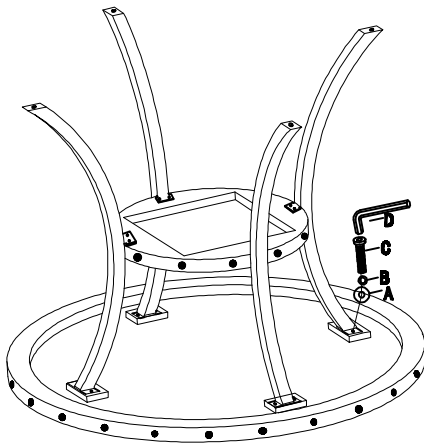
# ASSEMBLY INSTRUCTIONS

HARDWARE LIST				
A		WASHER	Ø 5/16" *22	16PCS
B		LOCK WASHER	Ø 5/16"	16PCS
C		BOLT	Ø 5/16" *3/4"	16PCS
D		WRENCH	5mm	1PC

## STEP 1



## STEP 2



**Do not tighten screws until completely assembled**