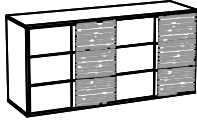


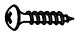
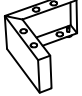
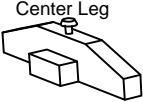


ASSEMBLY INSTRUCTIONS

**MODEL : 0377A
B750 DRESSER**

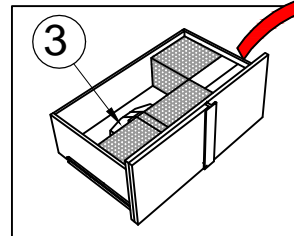
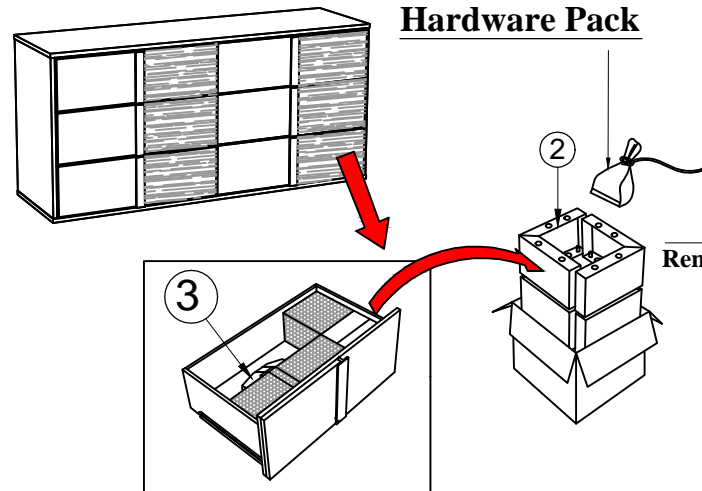
**(BOX 1)
BOX OF DRESSER**

NO	ITEM	QTY
	DRESSER	
A		1 pc

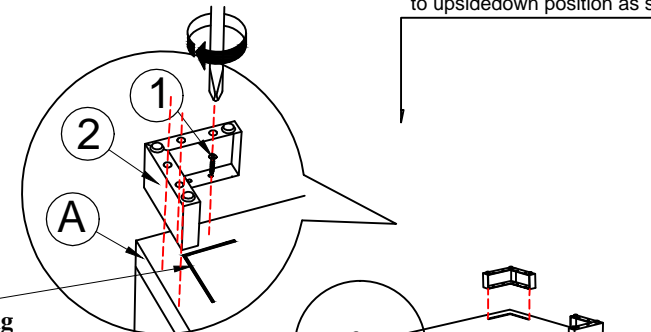
**(Box 1)
HARDWARE LIST**

No	ITEM	Qty
1	Pan Head Chipboard screw m3.5 x 16mm 	16 pcs
2	Bun Foot Leg(Metal) 	4 pcs
3	Center Leg 	1 pc
4	Flat Head Chipboard Screw m4x32mm Rbw 	4 pcs
5	Wood Dowel 6mmx30mm 	2 pcs

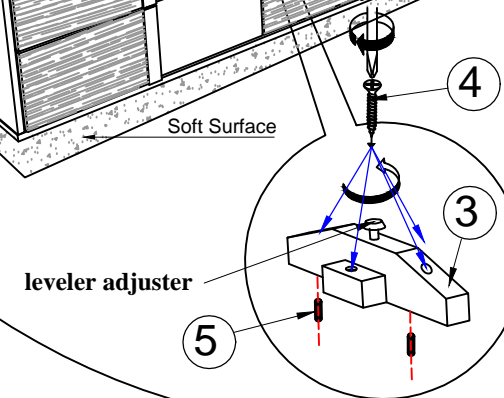
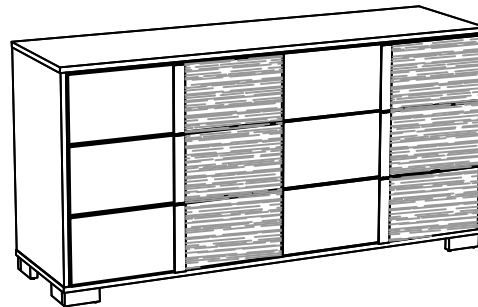
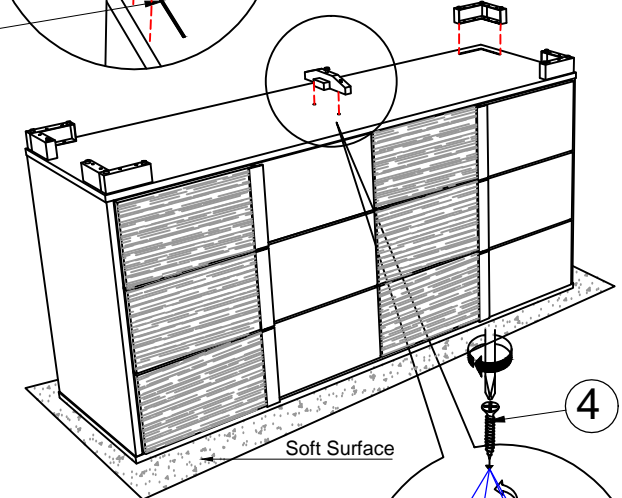
STEP 1 : Pull the bottom drawer and take out the Bunfoot carton . Assemble the Bun Foot Metal (2) with Pan Head Chipboard Screw (1) and securing with screw driver (NOT PROVIDED) as shown.



Remark : Line Marking



Remark : Turn the Dresser to upsidedown position as shown.



COMPLETED ASSEMBLY

NOTE : MUST TIGHTEN SCREWS **PERIODICALLY** WITH USE SCREW WILL BECOME LOOSE CHECK TIGHTNESS OF ALL SCREW EVERY 6-8 WEEKS.