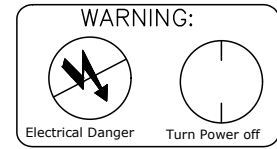
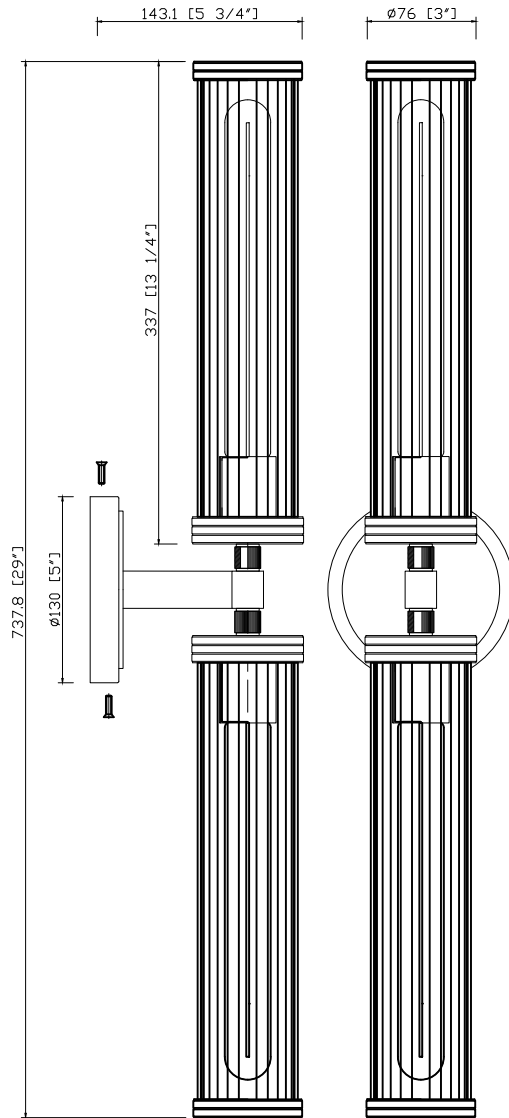


CRYSTORAMA

LIGHTING THE WAY FOR SIXTY YEARS



ASSEMBLY INSTRUCTION MODEL #JAR-2302-PN



All electrical components must be installed by a licensed electrician in accordance with the National Electric Code and the appropriate local electrical codes.



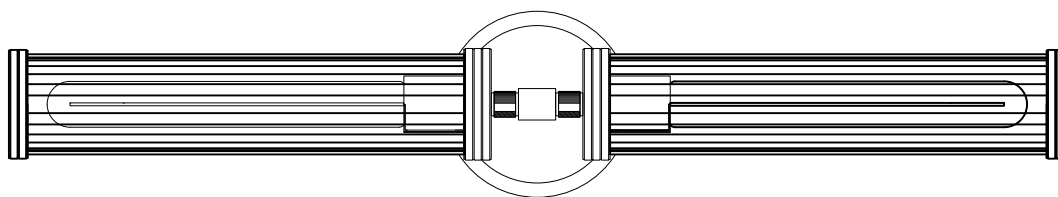
Including 2- Med. T10 Bulb
4 Watts Recommended 7 Watts Max
USE LED BULBS FOR EXTENDED USE

THIS FIXTURE IS Damp RATED

How to Install

1. Remove the mounting plate from the backplate and install the mounting plate onto the outlet box using the two outlet box screws.
2. Place the backplate over the mounting plate and secure with the screws.
3. Install the T10 bulb onto the socket.
4. Slide the glass shade over the bulb and screw it onto the frame.

This fixture can be installed both vertically and horizontally.



WARNING: This product can expose you to Lead, which is known to the State of California to cause cancer and/or birth defects or reproductive harm. For more information go to www.P65Warnings.ca.gov

CRYSTORAMA

LIGHTING THE WAY FOR SIXTY YEARS



ASSEMBLY INSTRUCTION MODEL #JAR-2302-PN

Part Number

Part Numbers

- A. (1)-Mounting hardware
- B. (2)-Screws
- C. (1)-Back plate
(XAR2302PNBKP5.25IN)
- D. (2)-Glass
(XAR2302PNGLA13.25IN)
- E. (2)-T10-LED bulb included
- F. (1)- Frame

