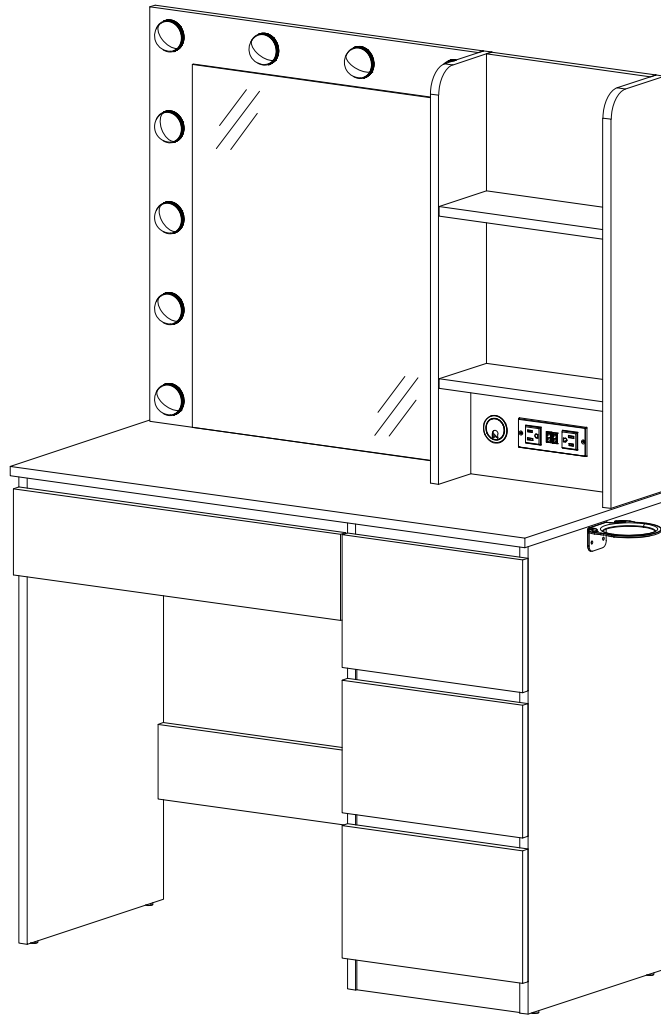

D8L408BS03

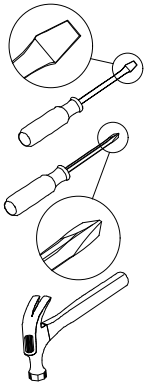


As this item contains many parts, please read the installation instruction carefully before installation and complete the installation with the cooperation of your partner. Please use tools properly and carefully. If you have any questions about the product and installation, please contact us.

hosoteservice@gmail.com

Our professional after-sales team will serve you online all day.

Before You Start

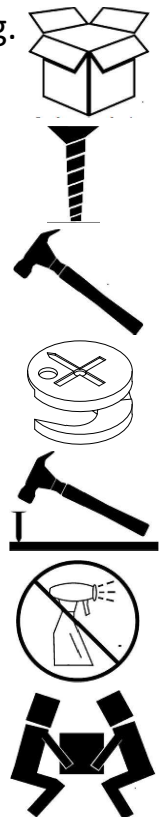


- ✓ Read through each step carefully and follow the proper order
- ✓ Separate and count all your parts and hardware
- ✓ Give yourself enough room for the assembly process
- ✓ Have the following tools: Flat Head Screwdriver, #2 Phillips Head Screwdriver and Hammer
- ✓ Caution: If using a power drill or power screwdriver for screwing, please be aware of to slow down and stop when screw is tight. Failure to do so may result in stripping the screw.

Helpful Hints

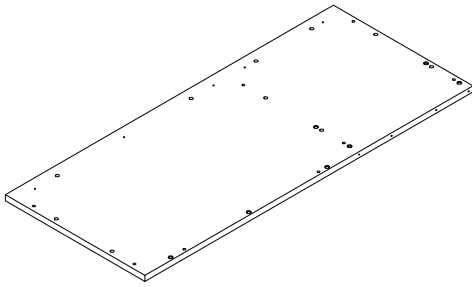
PEOPLE NEEDED FOR ASSEMBLY: 1-2

- Open your item in the area you plan to keep it to avoid excessive heavy lifting.
- Identify, sort and count the parts before attempting assembly.
- Compression dowels are lightly tapped in with a hammer.
- Slides are labeled with an **R** (right) and **L** (left) for proper placement.
- Make sure to always face the point on the top of the Cam Lock towards the outer edge.
- Use all the nails provided for the back panel and spread them out equally.
- Back panel must be used to make sure your unit is sturdy.
- Do NOT use harsh chemicals or abrasive cleaners on this item.
- Never push, pull, or drag your furniture.

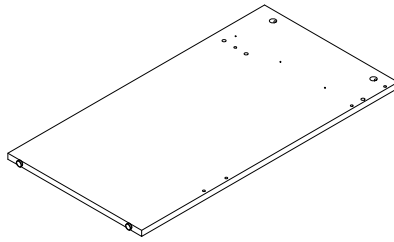


Board Identification

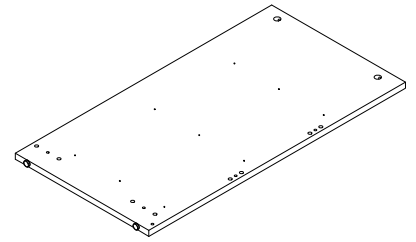
Not actual size



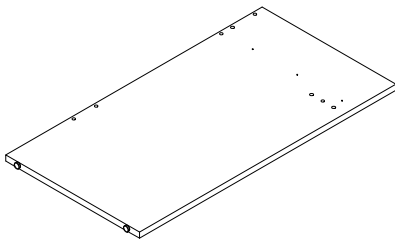
(A)
TOP
Qty:1



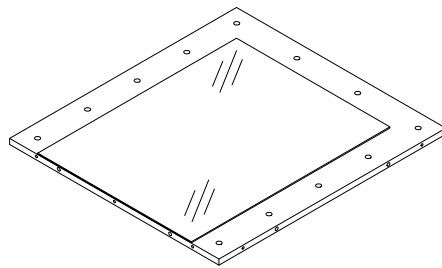
(B)
LEFT SIDE PANEL
Qty:1



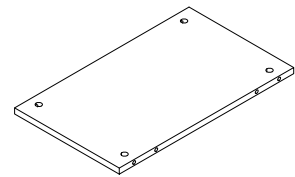
(C)
RIGHT SIDE PANEL
Qty:1



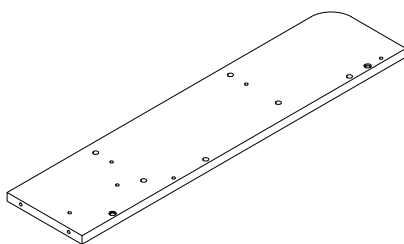
(D)
MIDDLE PANEL
Qty:1



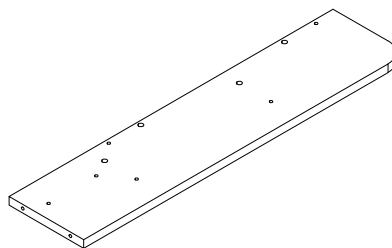
(E)
DRESSING MIRROR
Qty:1



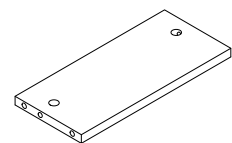
(F)
UPPER BACKPANEL
Qty:1



(G)
UPPER LEFT SIDE PANEL
Qty:1



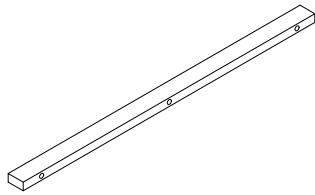
(H)
UPPER RIGHT SIDE PANEL
Qty:1



(I)
FIXED SHELF
Qty:2

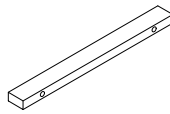
Board Identification

Not actual size



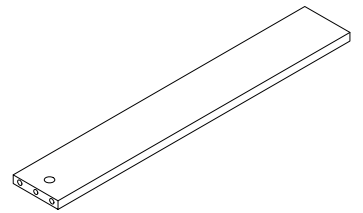
(J)

RAIL
Qty:1



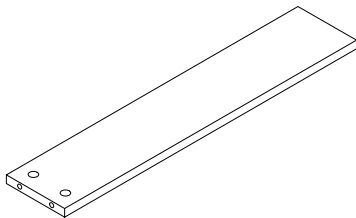
(K)

RAIL
Qty:1



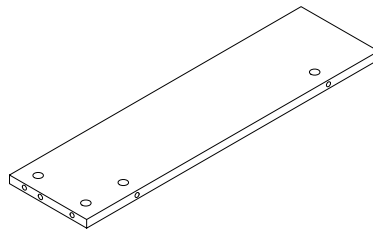
(L)

LEFT FRONT CROSS MEMBER
Qty:1



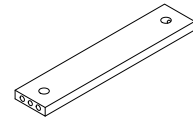
(M)

LOWER LEFT REAR RAIL
Qty:1



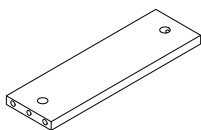
(N)

LEFT REAR PANEL
Qty:1



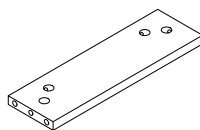
(O)

RIGHT FRONT SIDE MEMBER
Qty:2



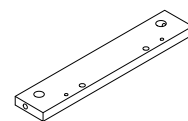
(P)

RIGHT BACK RAIL
Qty:1



(Q)

RIGHT FRONT RAIL
Qty:1

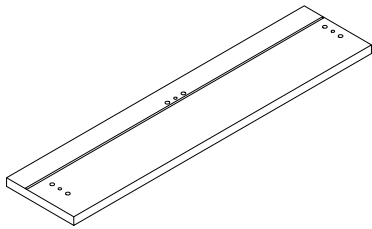


(R)

BOTTOM FRONT RAIL
Qty:1

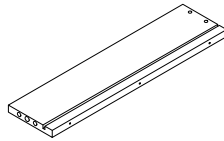
Board Identification

Not actual size



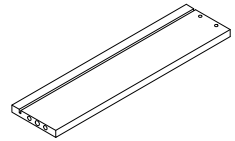
(S)

LARGE DRAWER FRONT
Qty:1



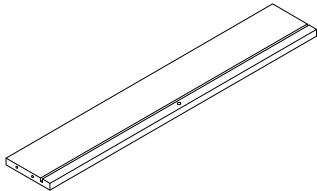
(T)

DRAWER LEFT PANEL
Qty:1



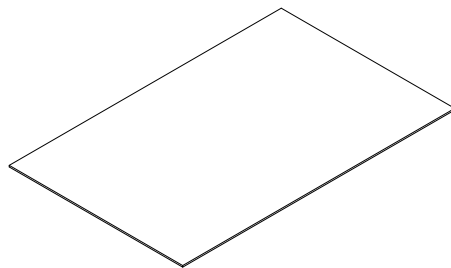
(U)

DRAWER RIGHT PANEL
Qty:1



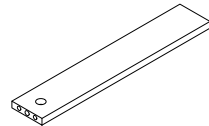
(V)

DRAWER BACK PANEL
Qty:1



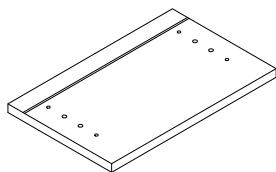
(W)

BOTTOM OF DRAWER
Qty:1



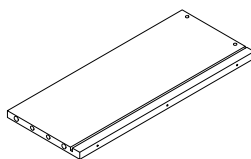
(X)

DRAWER SUPPORT RAIL
Qty:1



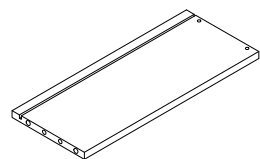
(Y)

SMALL DRAWER FRONT
Qty:3



(Z)

DRAWER LEFT PANEL
Qty:3

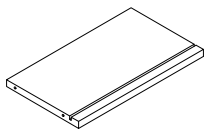


(AA)

DRAWER RIGHT PANEL
Qty:3

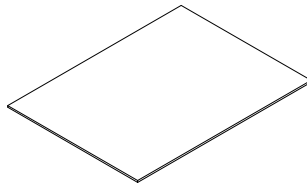
Board Identification

Not actual size



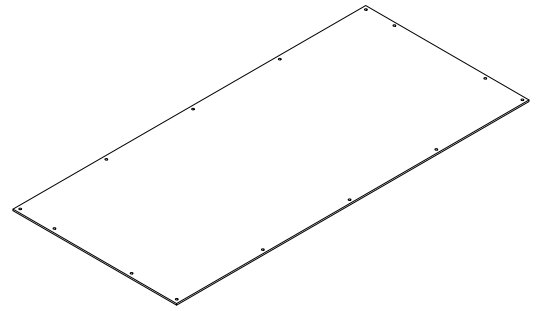
ⓑ

DRAWER BACK PANEL
Qty:3



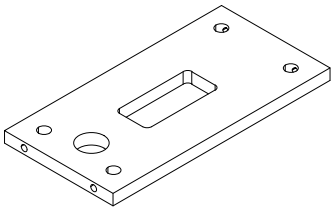
ⓒ

BOTTOM OF DRAWER
Qty:3



ⓓ

LOWER RIGHT REAR PANEL
Qty:1

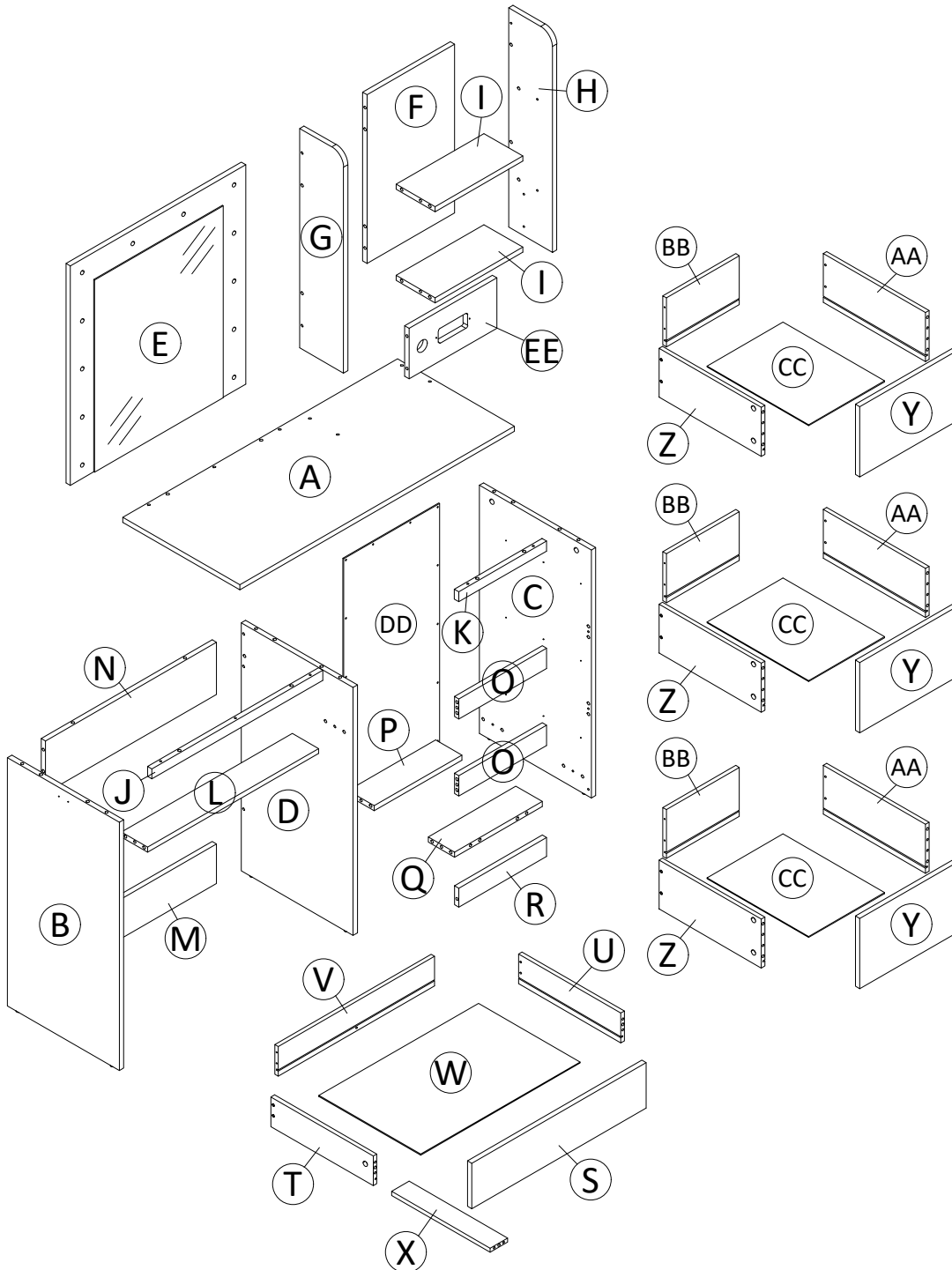


ⓔ

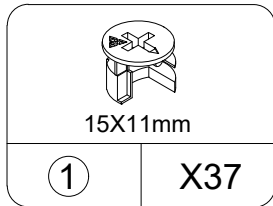
LOWER BACK
Qty:1

Board Identification

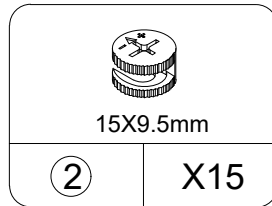
Not actual size



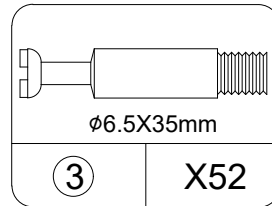
Part List



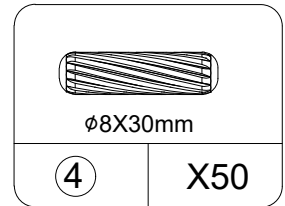
CAM LOCK
spare:3



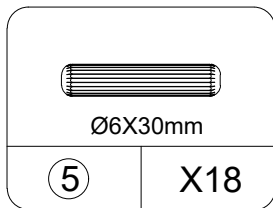
CAM LOCK
spare:2



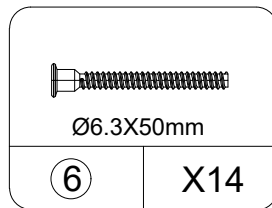
CAM BOLT
spare:3



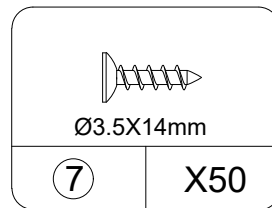
WOOD DOWEL
spare:3



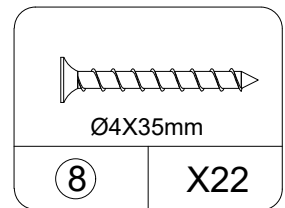
WOOD DOWEL
spare:2



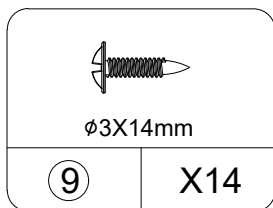
SCREW
spare:2



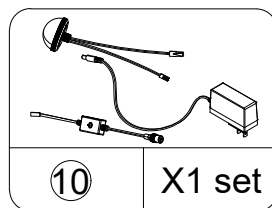
SCREW
spare:3



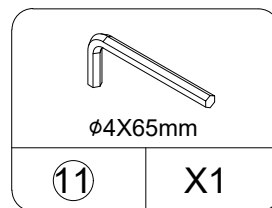
SCREW
spare:3



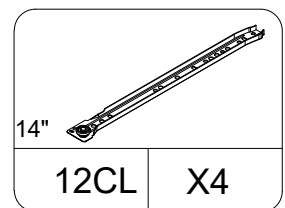
SCREW
spare:2



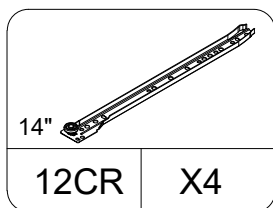
LIGHT BULB



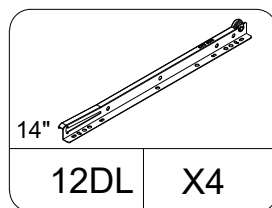
HEX KEY



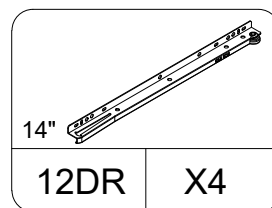
LEFT CABINET MEMBER



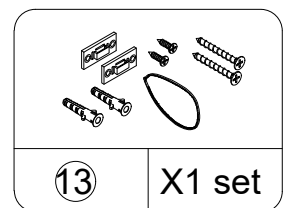
RIGHT CABINET MEMBER



LEFT DRAWER RUNNER

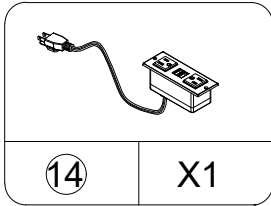


RIGHT DRAWER RUNNER

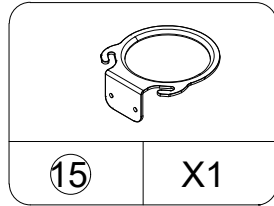


TIPPING RESTRAINT
HARDWARE KIT

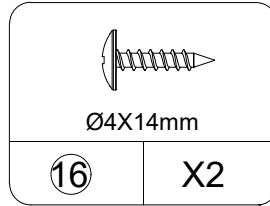
Part List



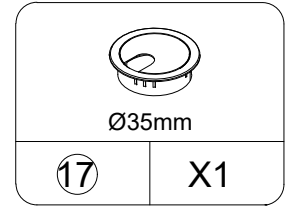
PLUG BOARD



HAIR DRYER RACK



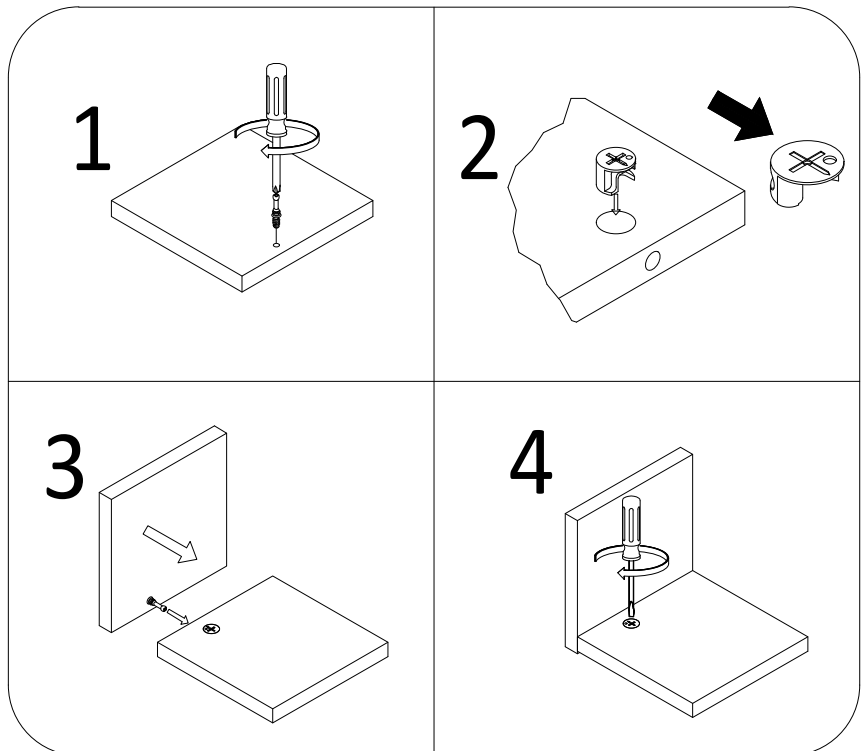
SCREW
spare:1



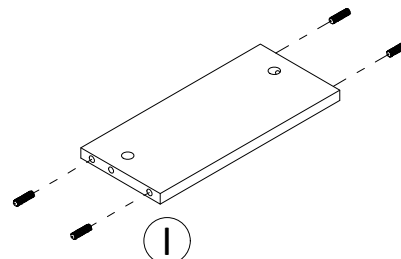
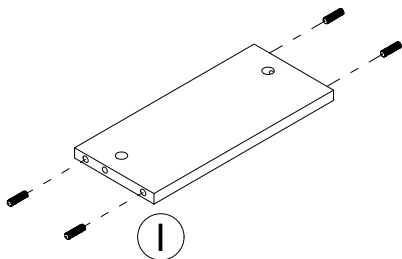
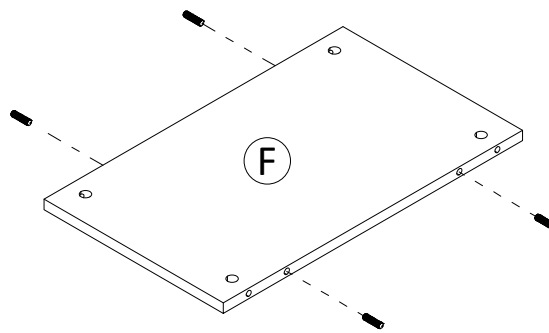
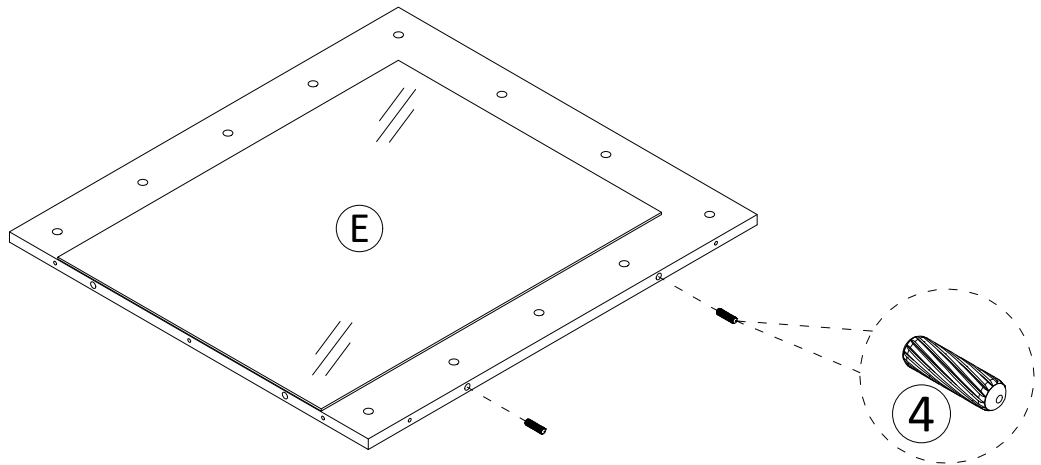
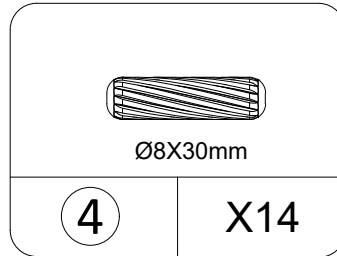
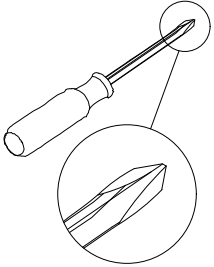
GROMMET

Cam Lock Fastening System

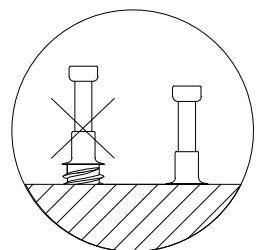
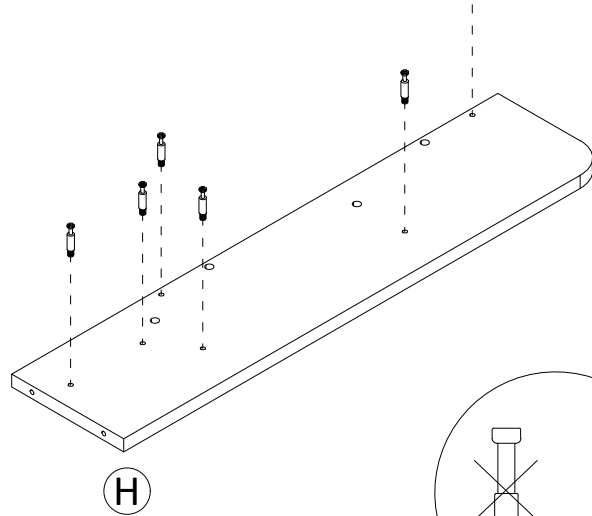
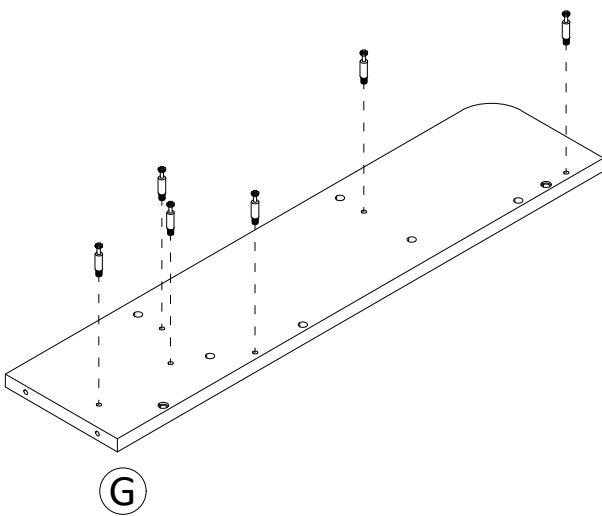
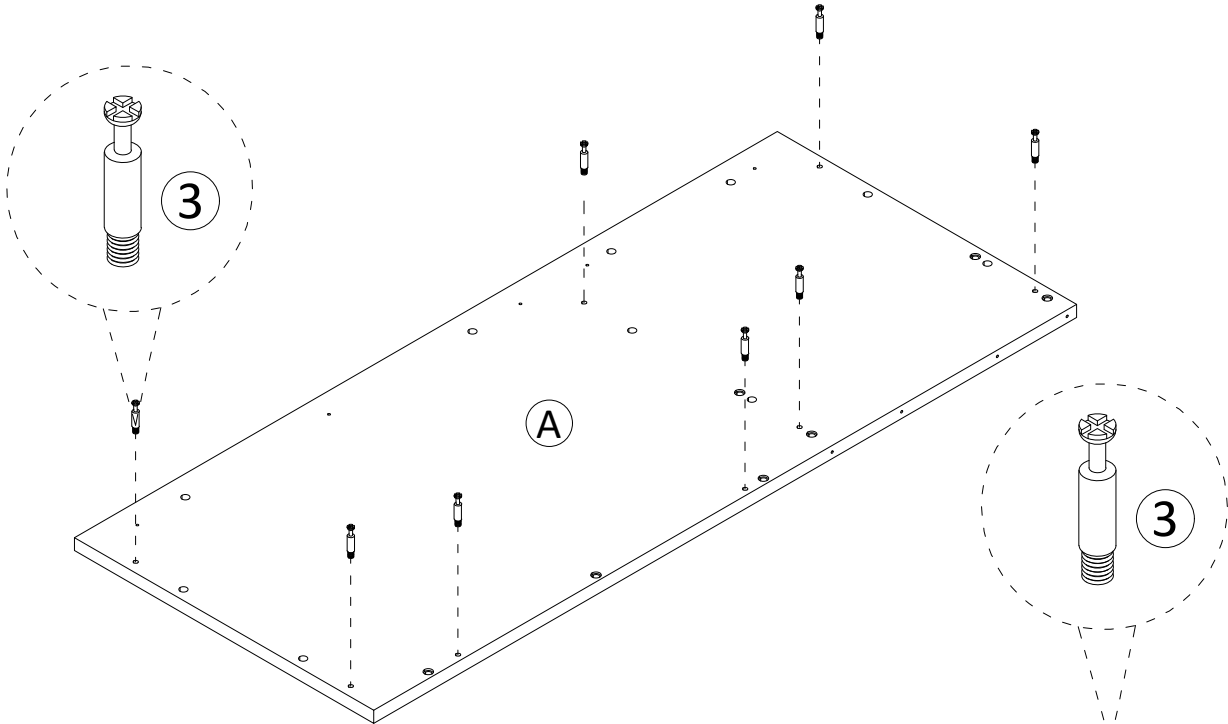
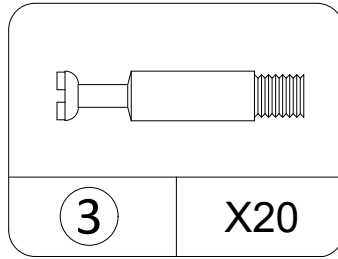
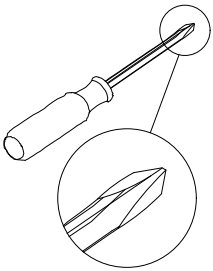
This Cam Lock Fastening System will be used throughout the assembly process.



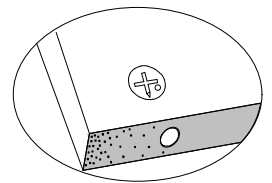
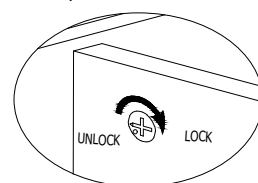
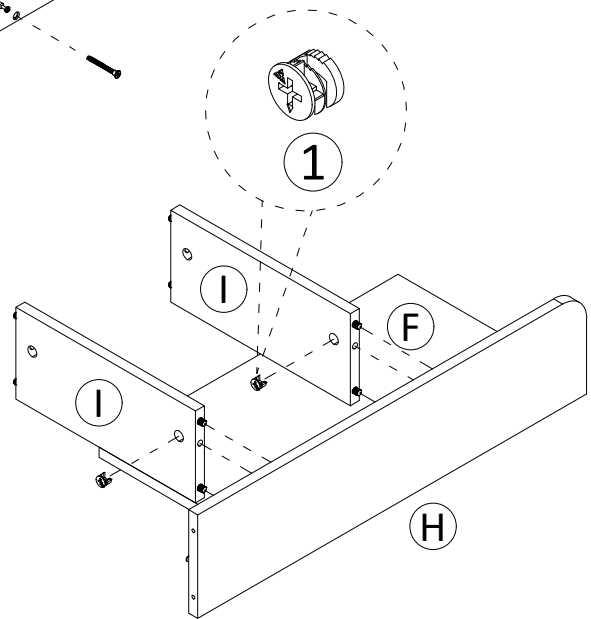
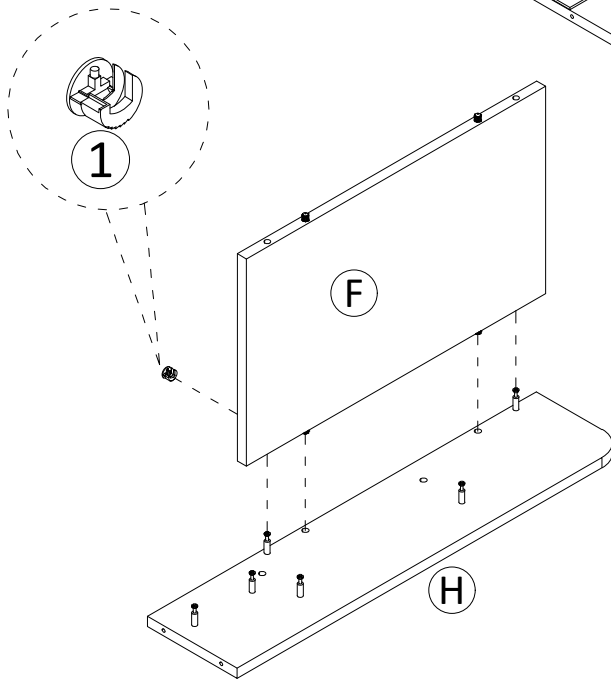
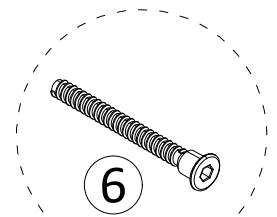
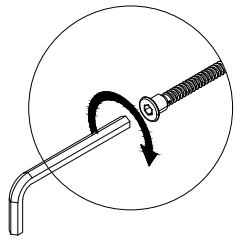
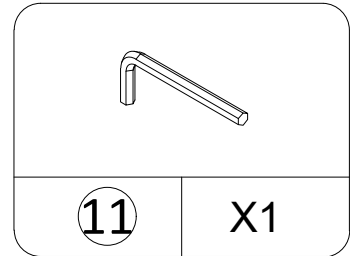
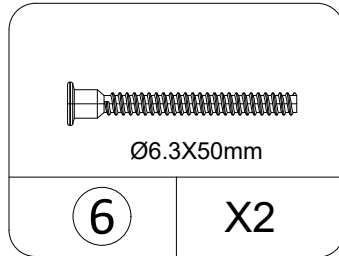
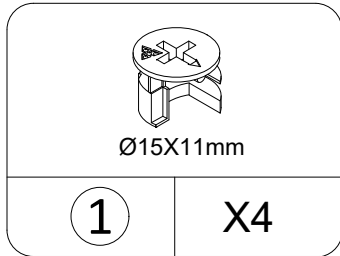
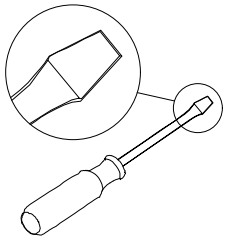
STEP 1



STEP 2

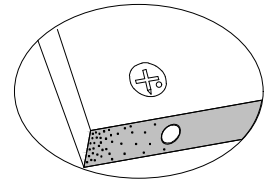
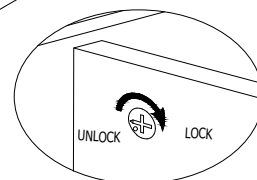
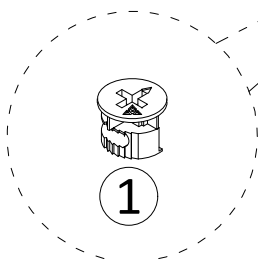
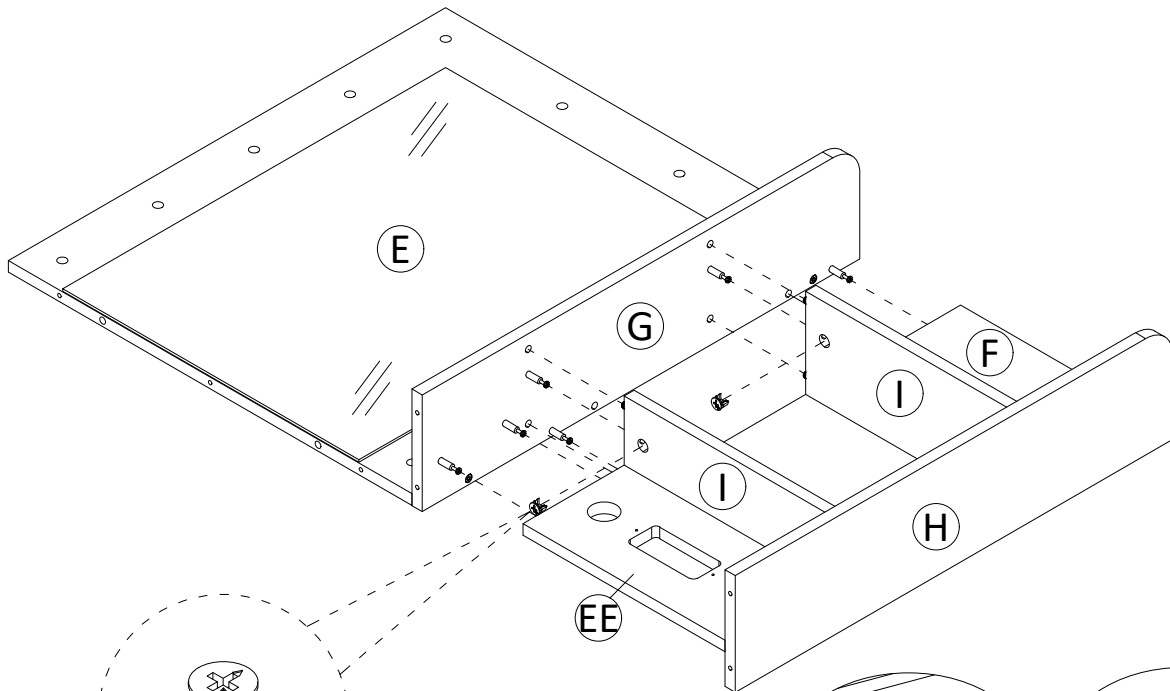
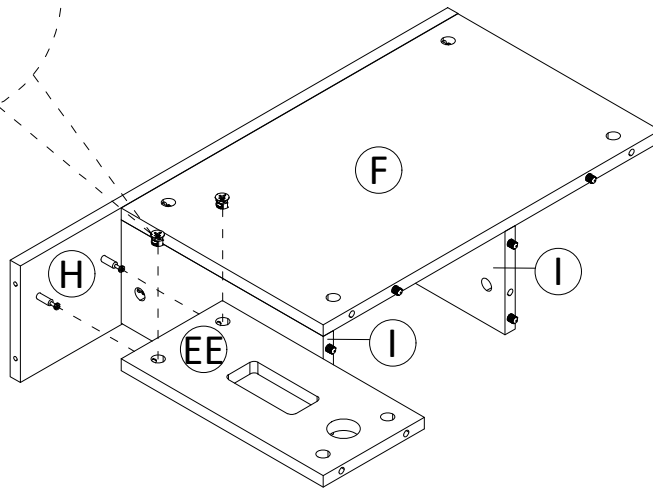
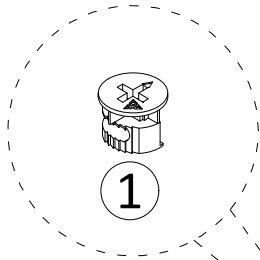
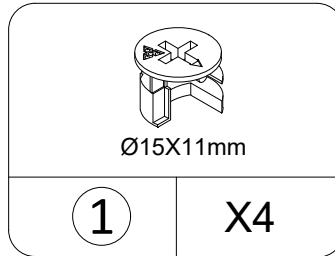
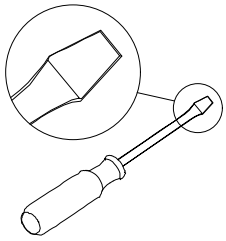


STEP 3



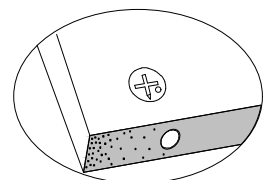
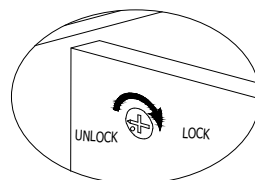
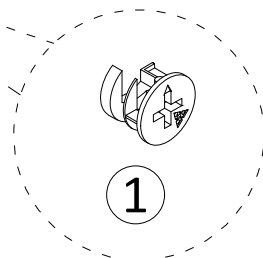
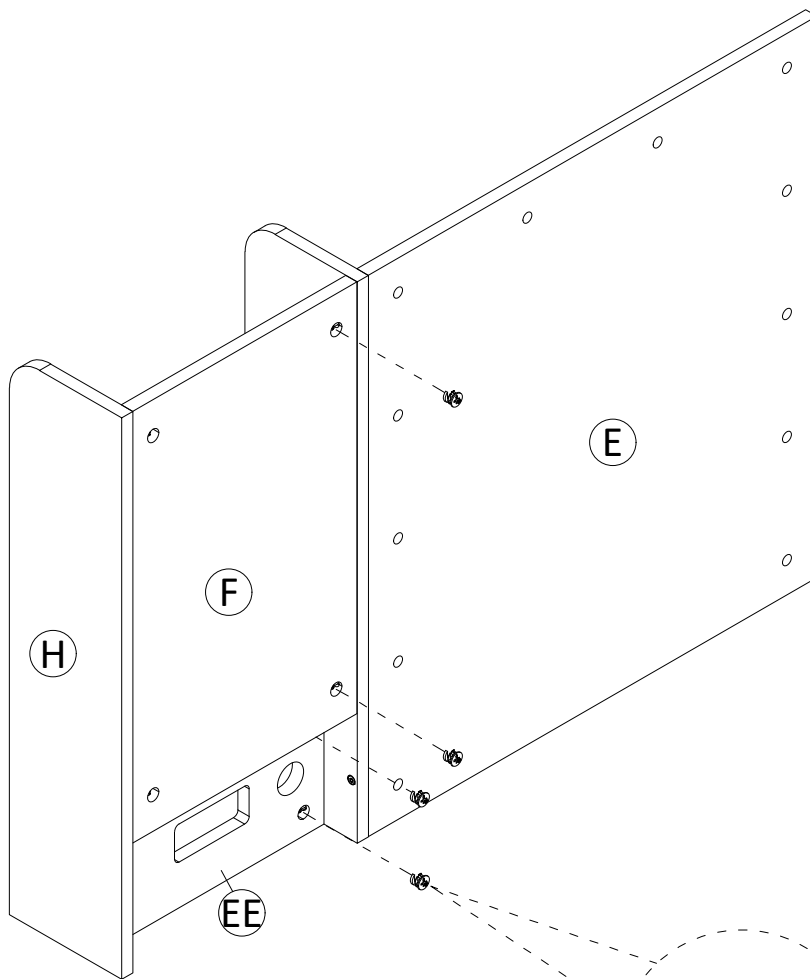
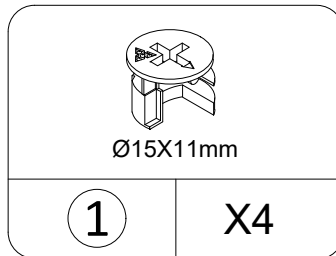
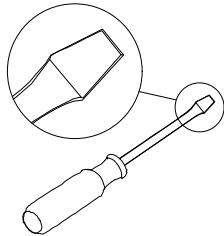
Proper orientation of CAM LOCK

STEP 3



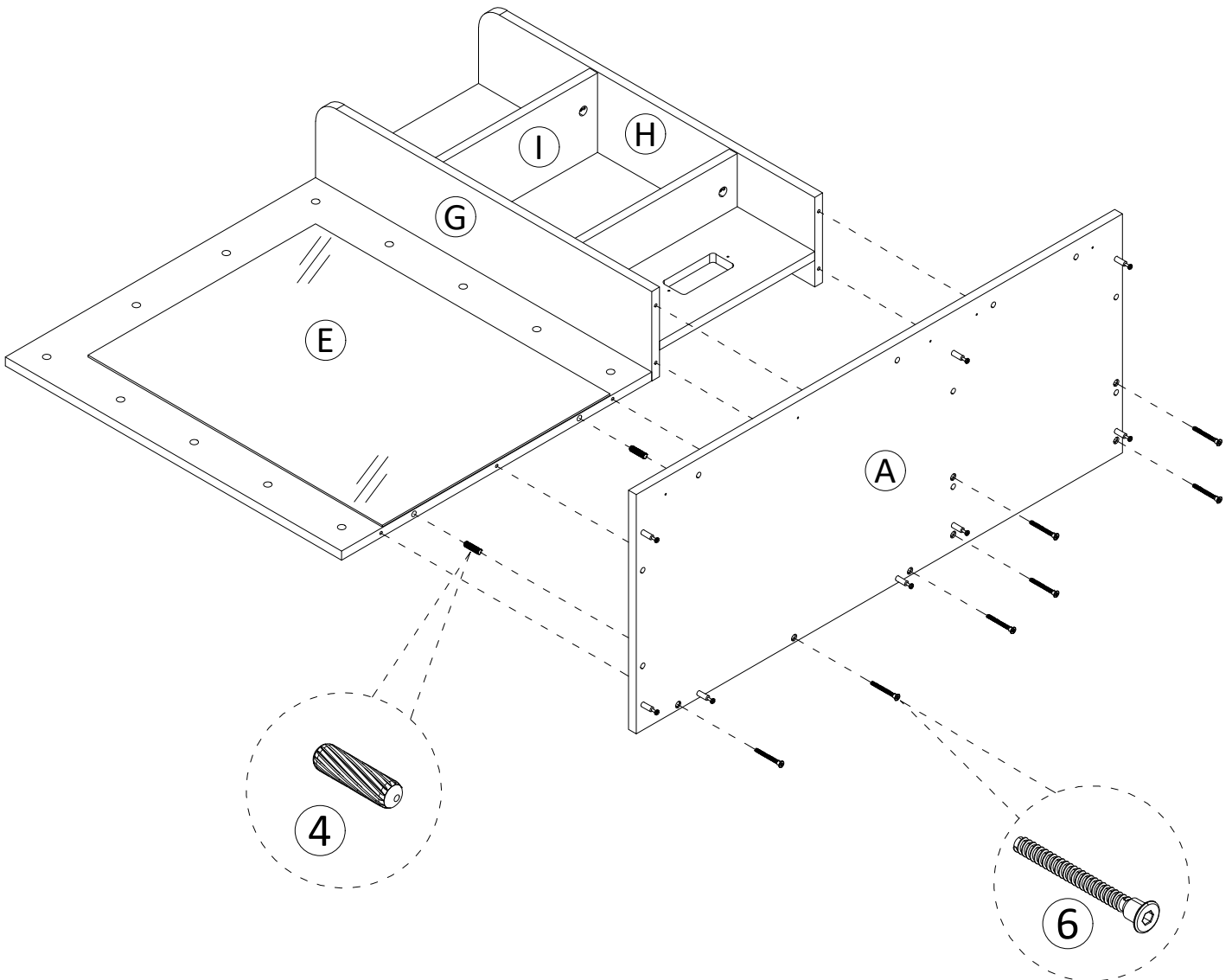
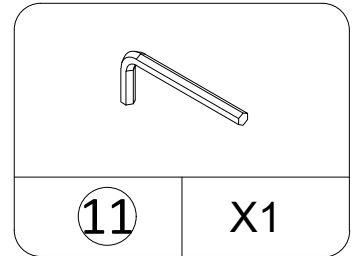
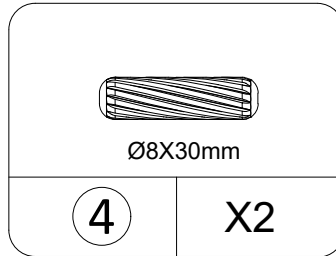
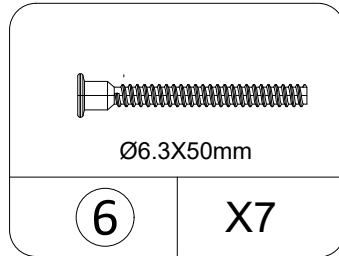
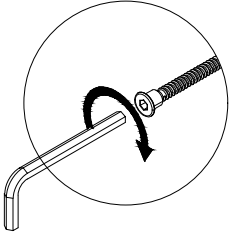
Proper orientation of CAM LOCK

STEP4

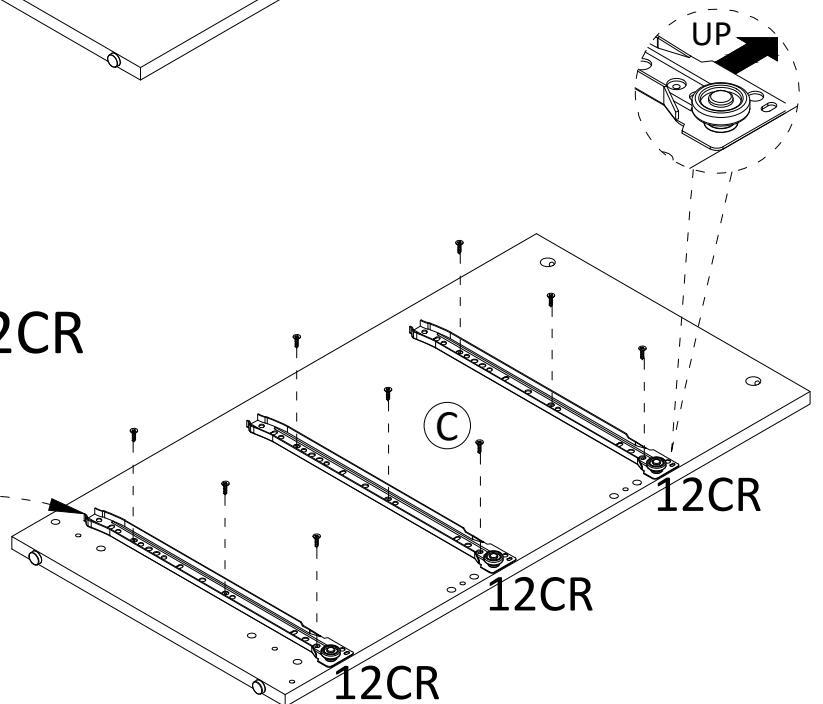
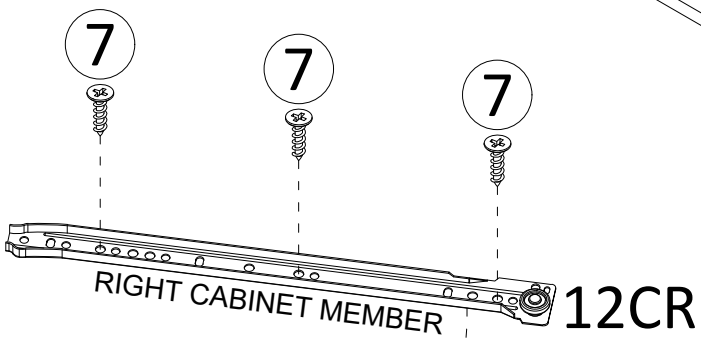
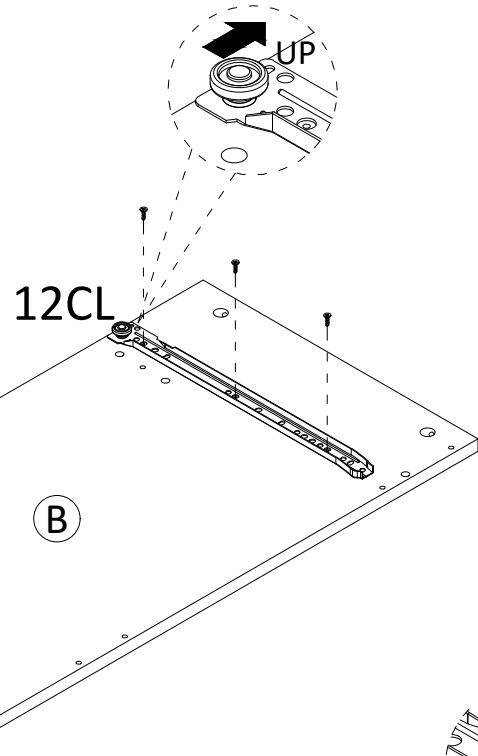
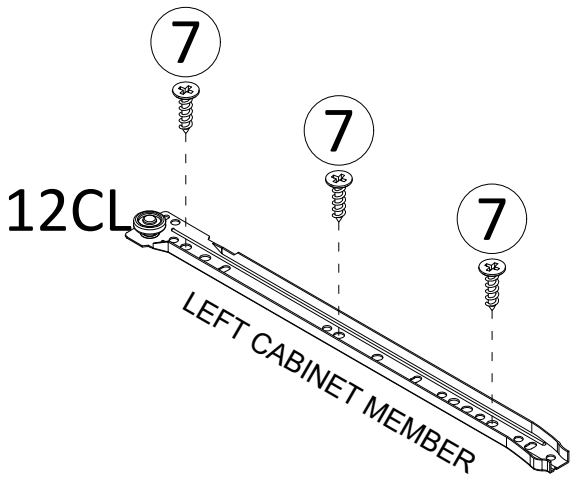
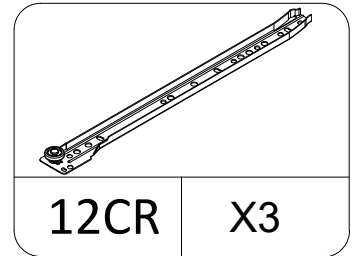
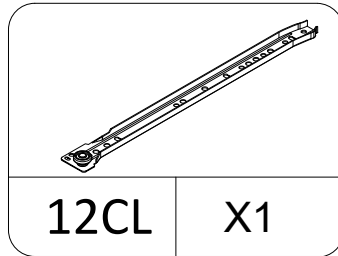
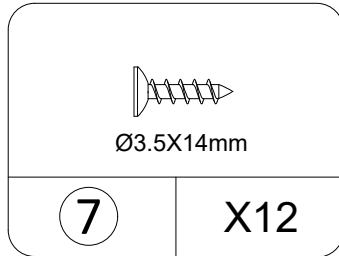
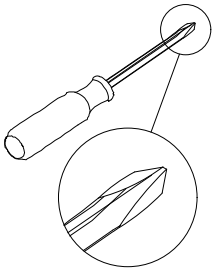


Proper orientation of CAM LOCK

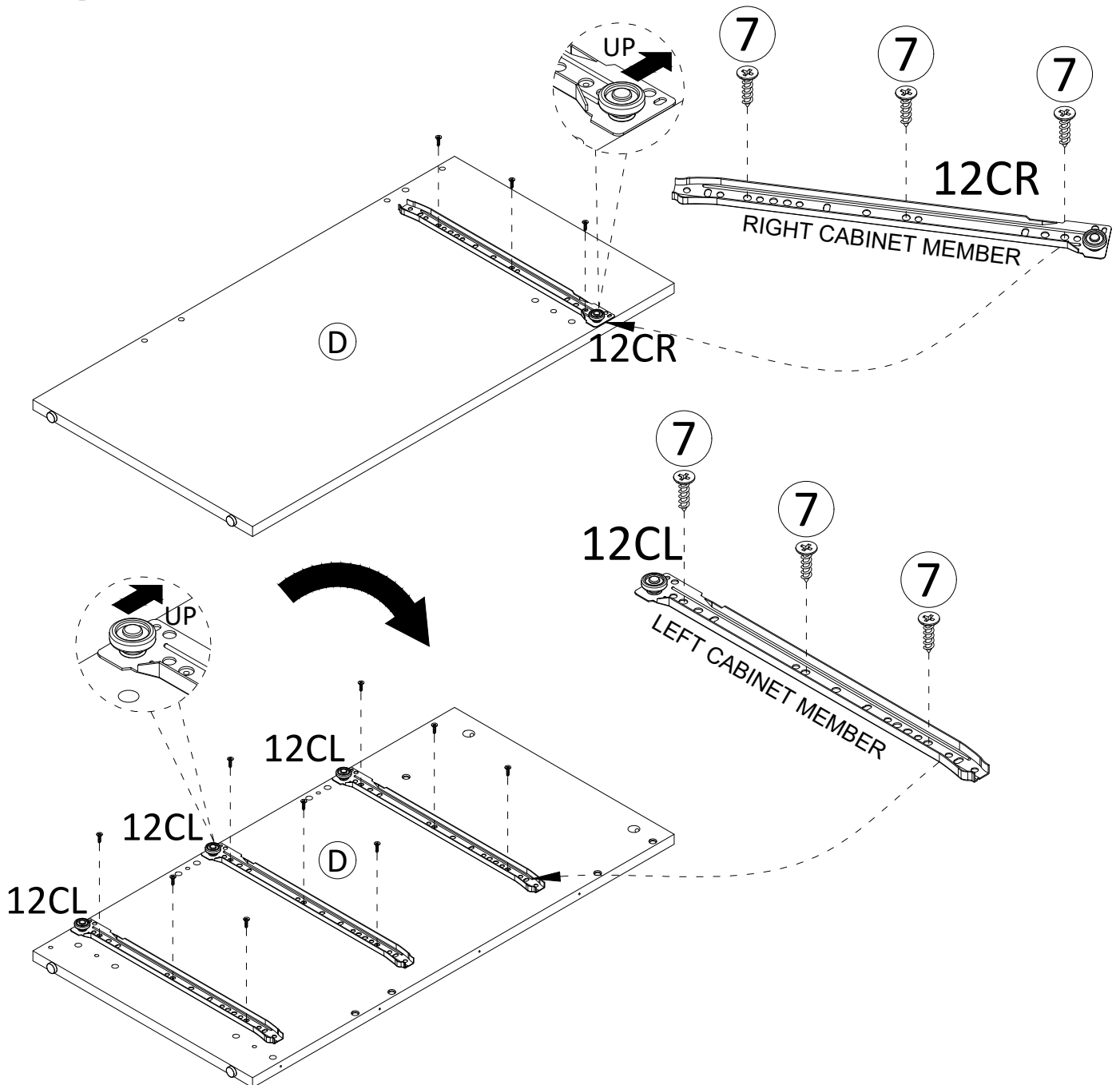
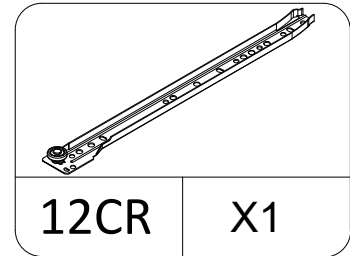
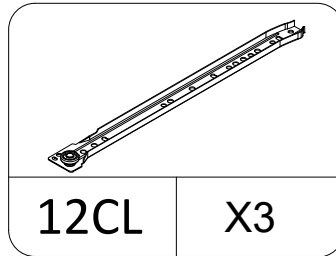
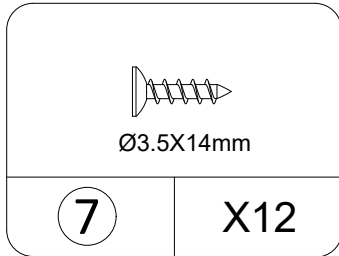
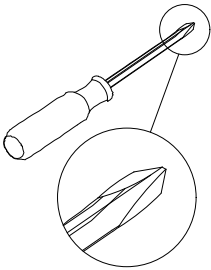
STEP5



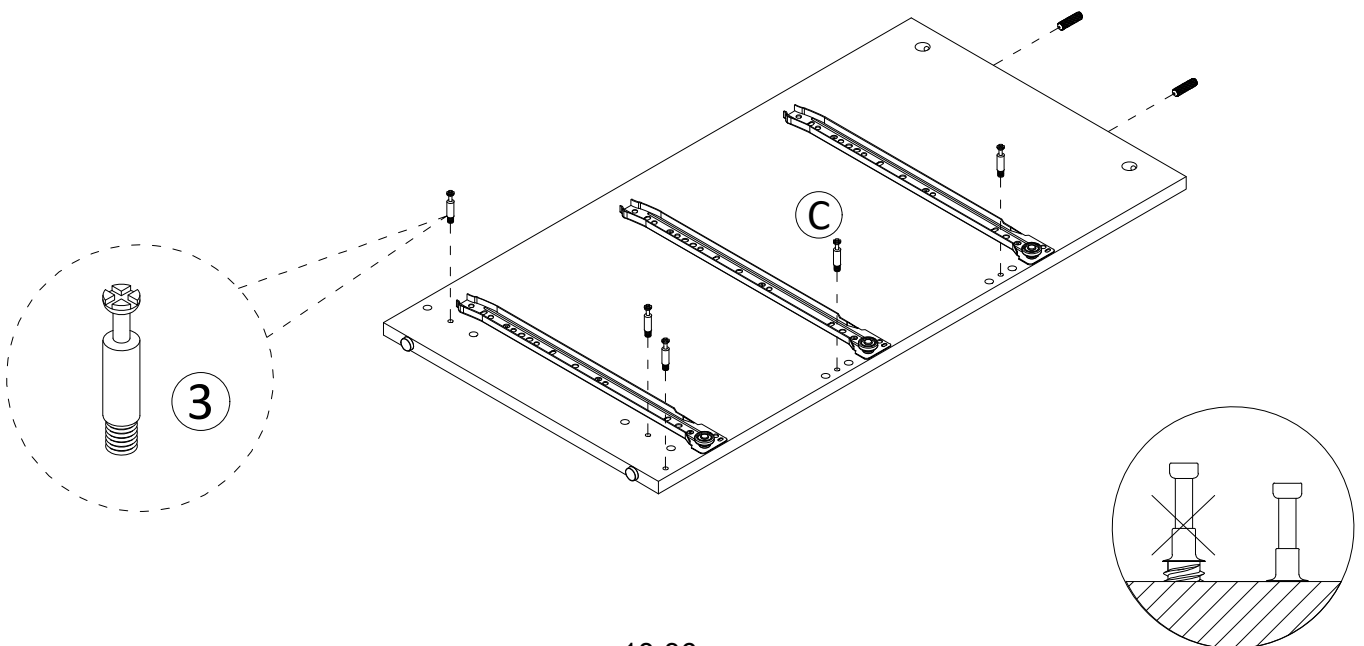
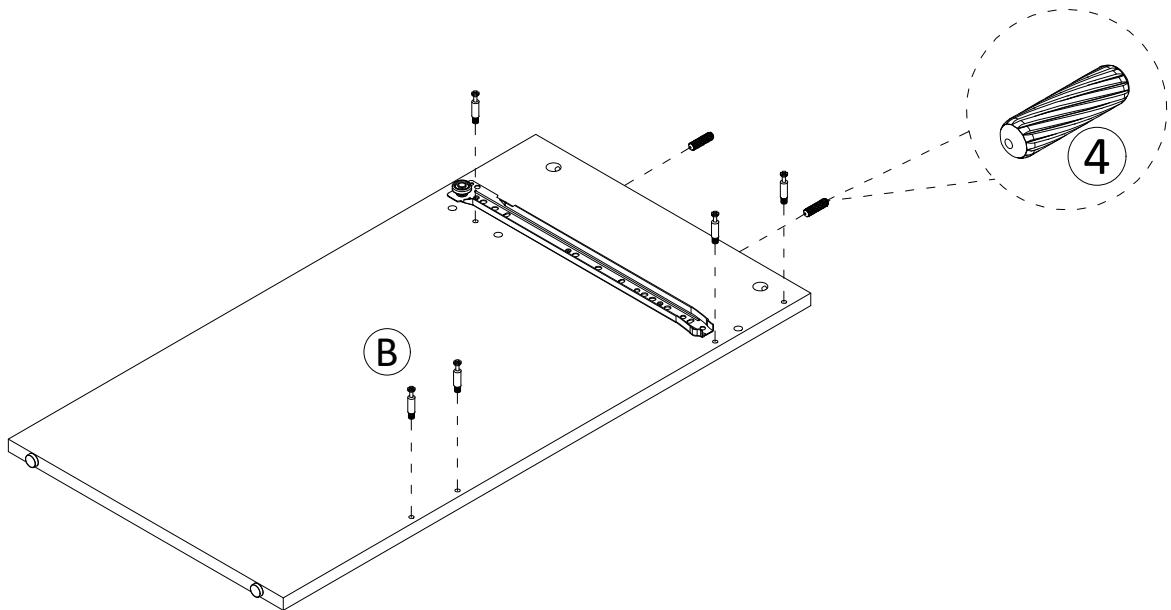
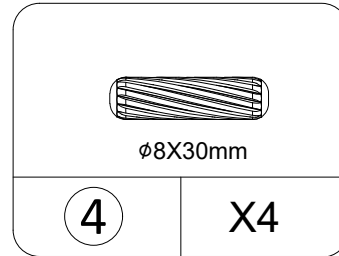
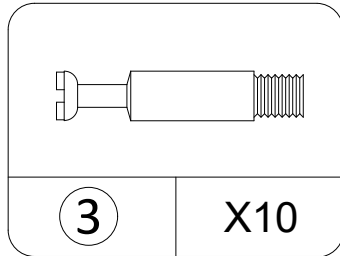
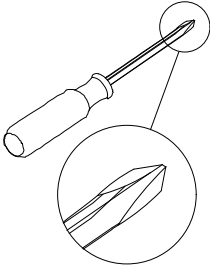
STEP 6



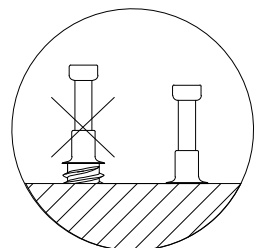
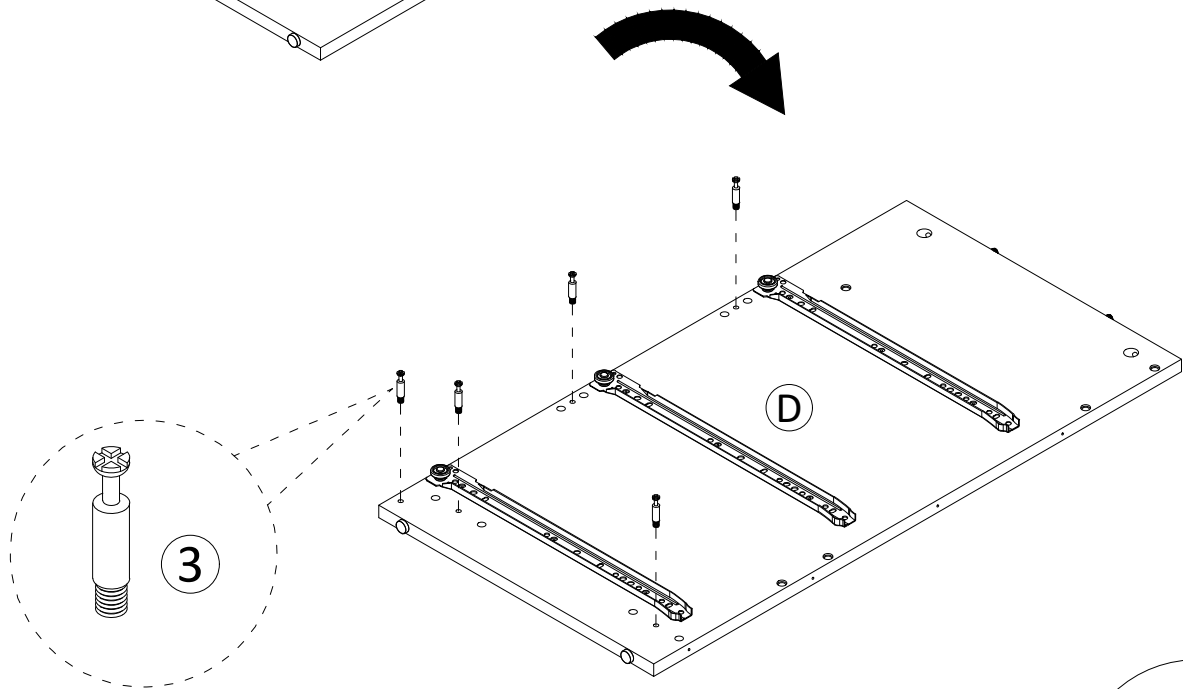
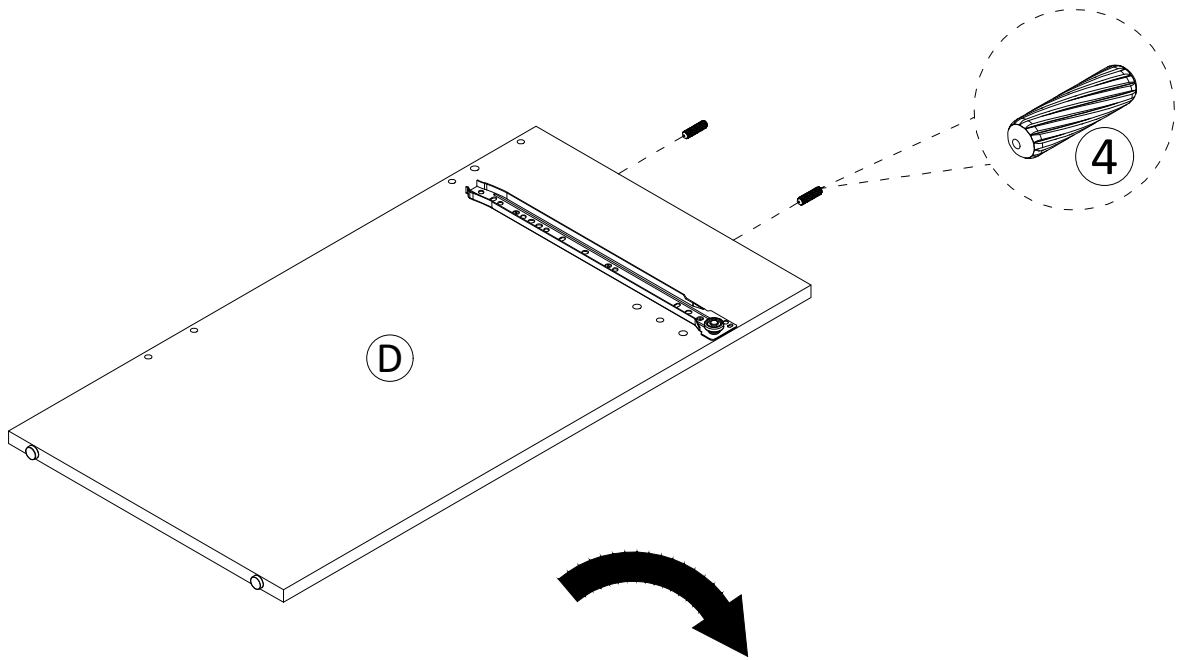
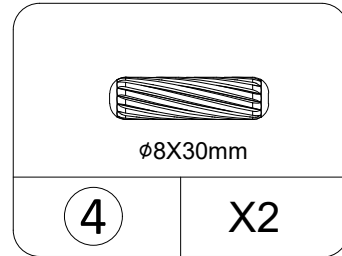
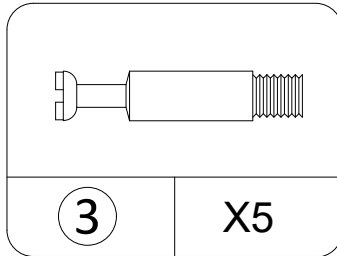
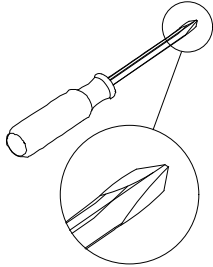
STEP 7



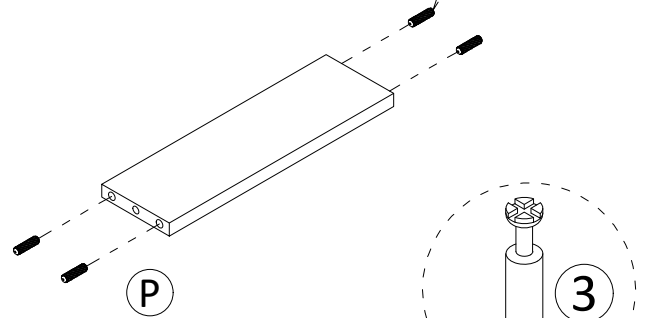
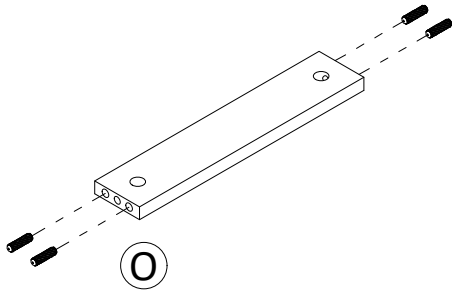
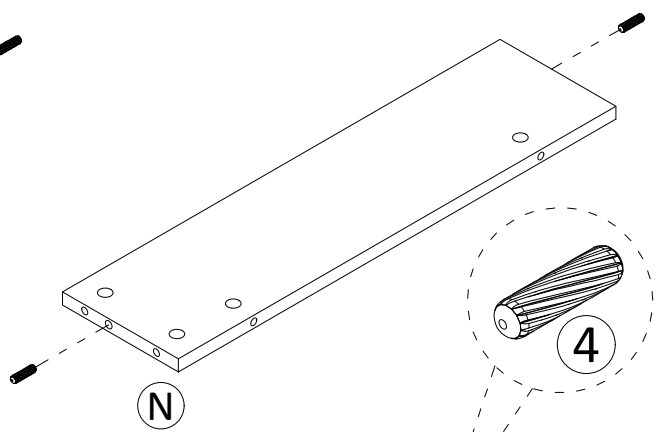
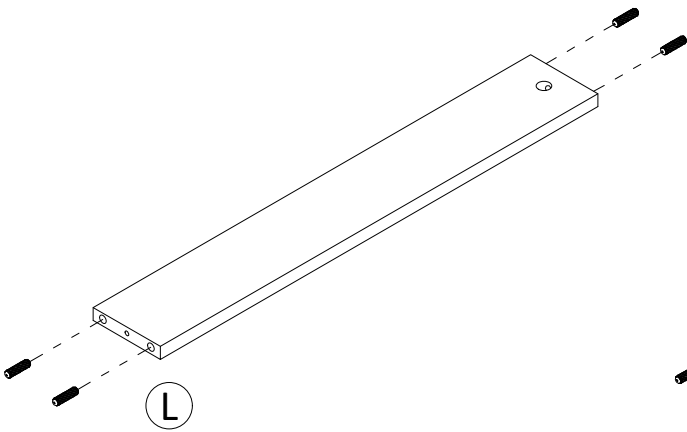
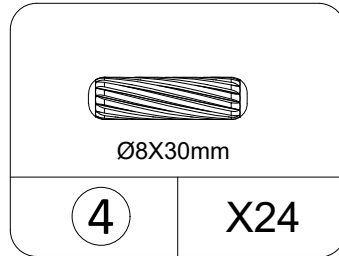
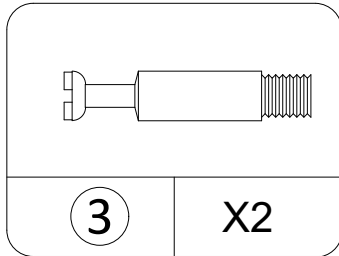
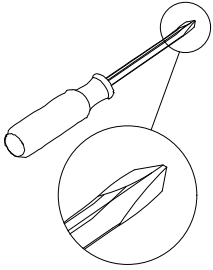
STEP 8



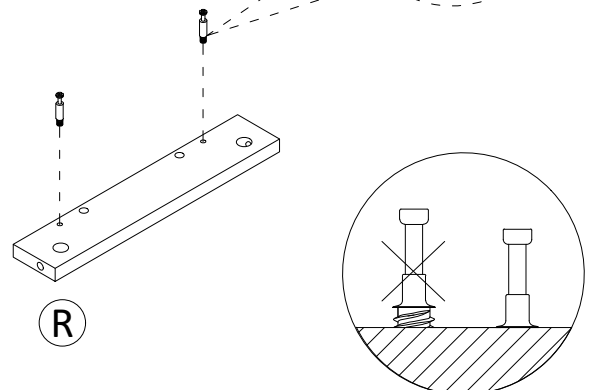
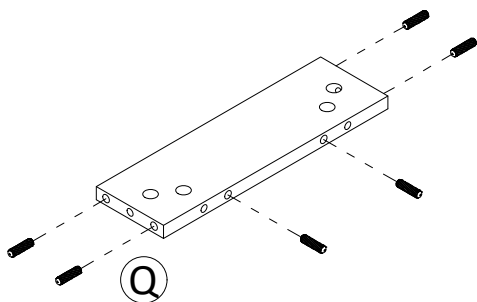
STEP 9



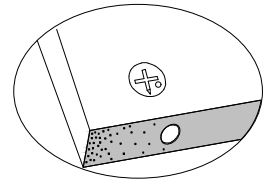
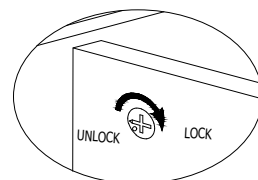
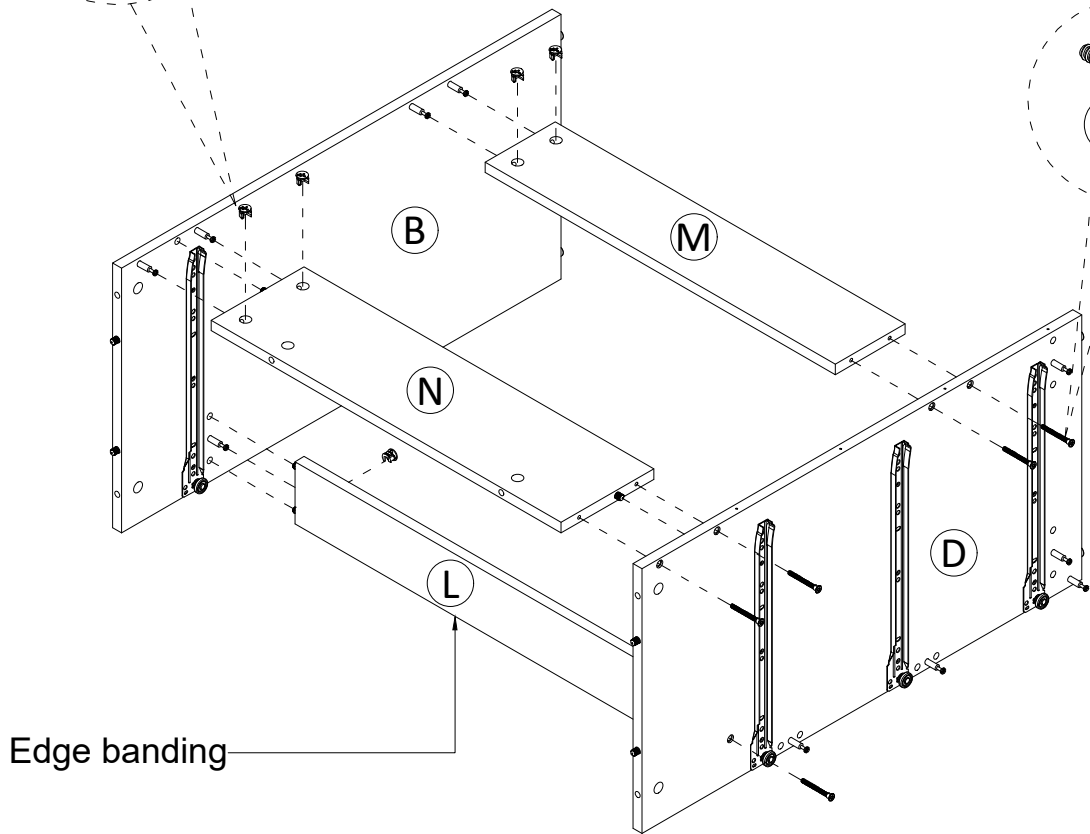
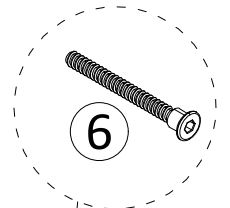
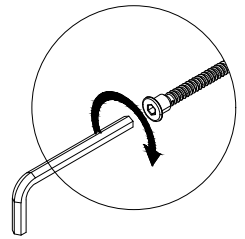
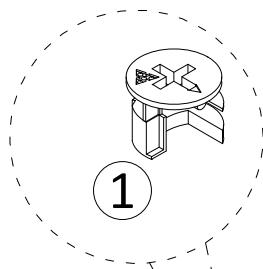
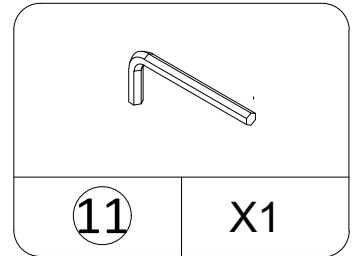
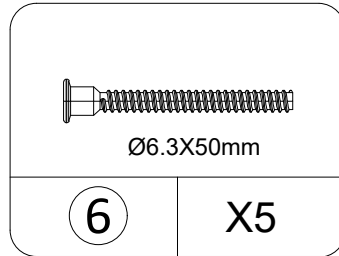
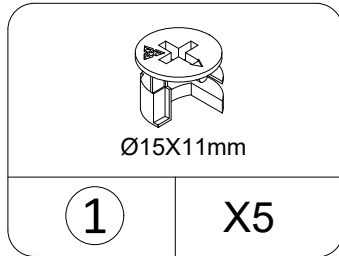
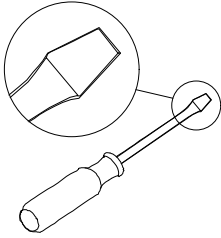
STEP10



O x 2

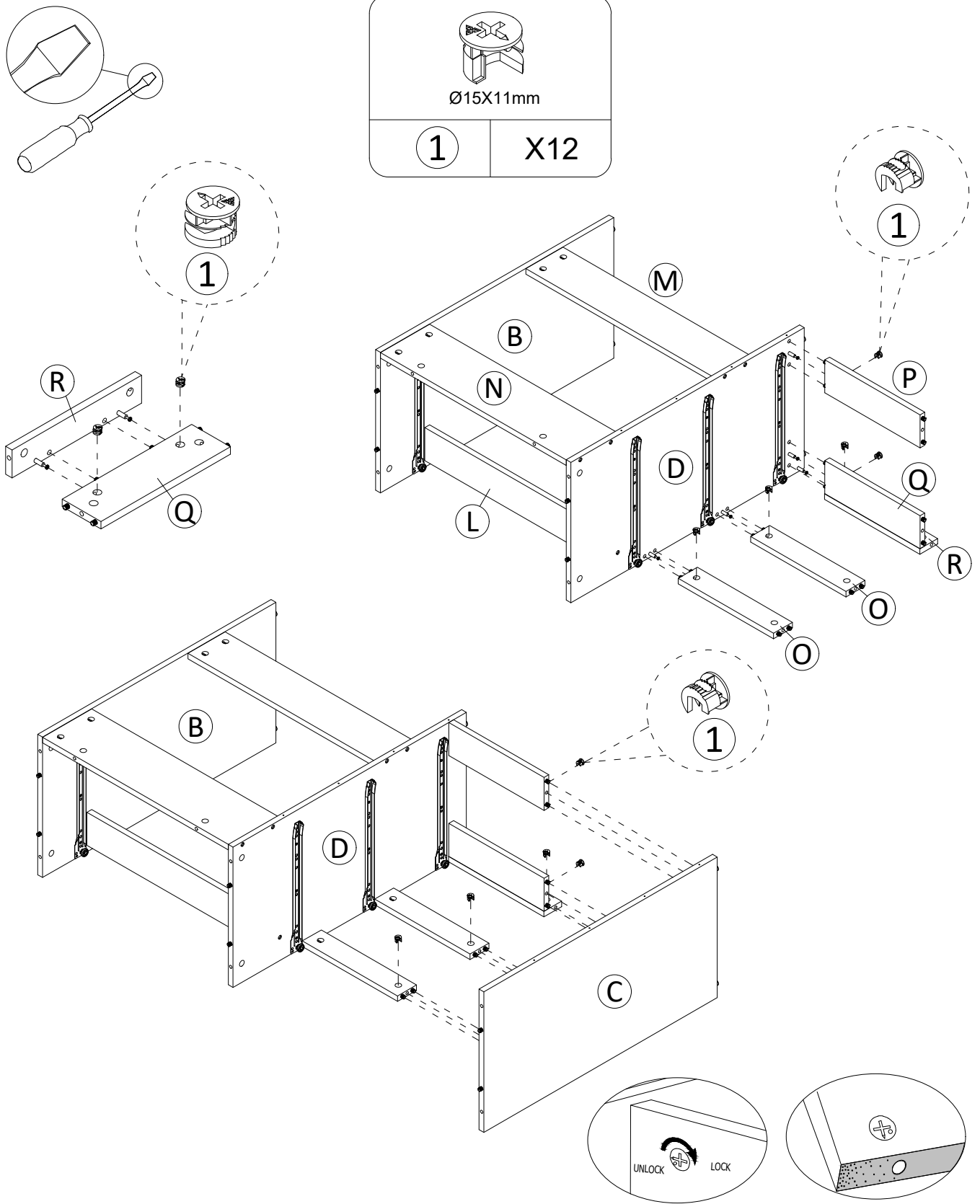


STEP11

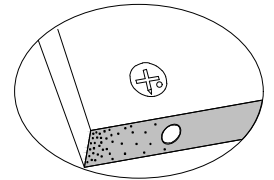
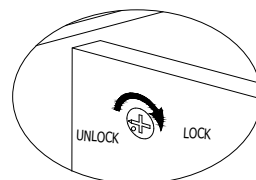
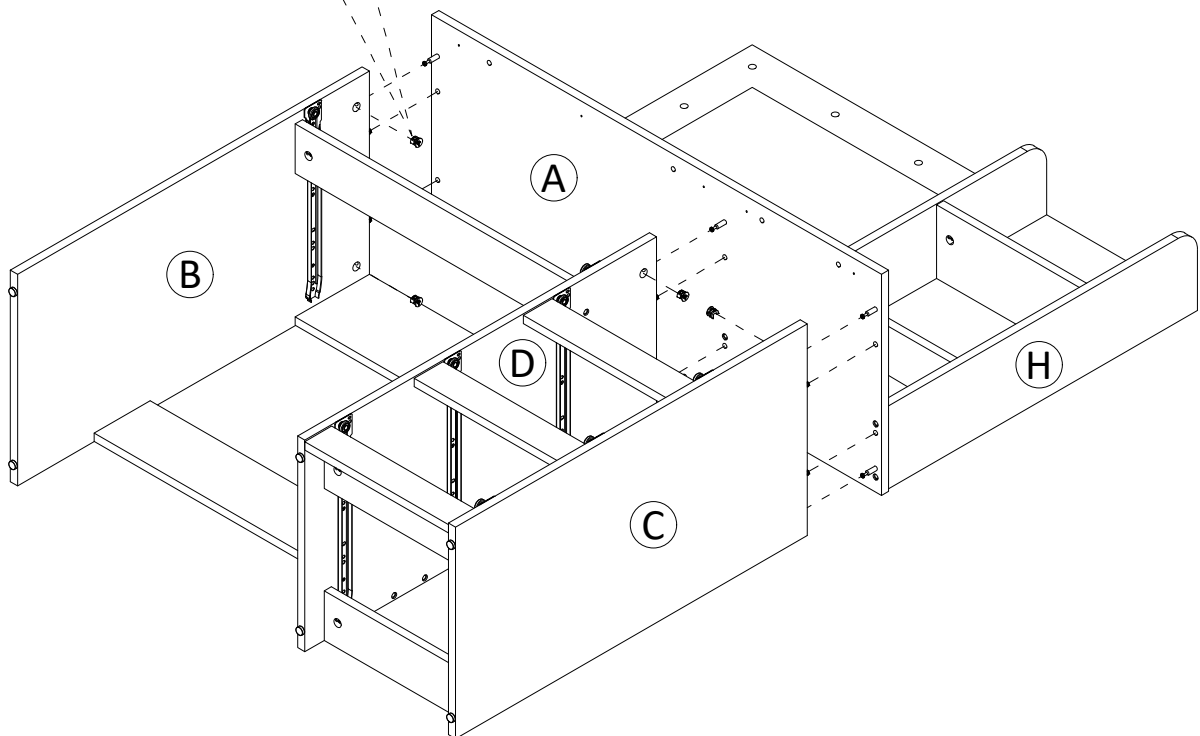
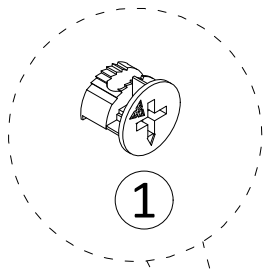
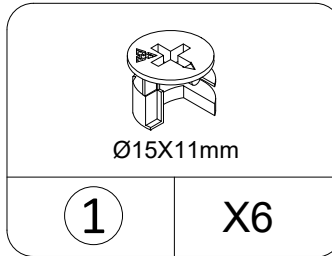
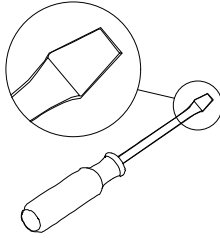


Proper orientation of CAM LOCK

STEP 12

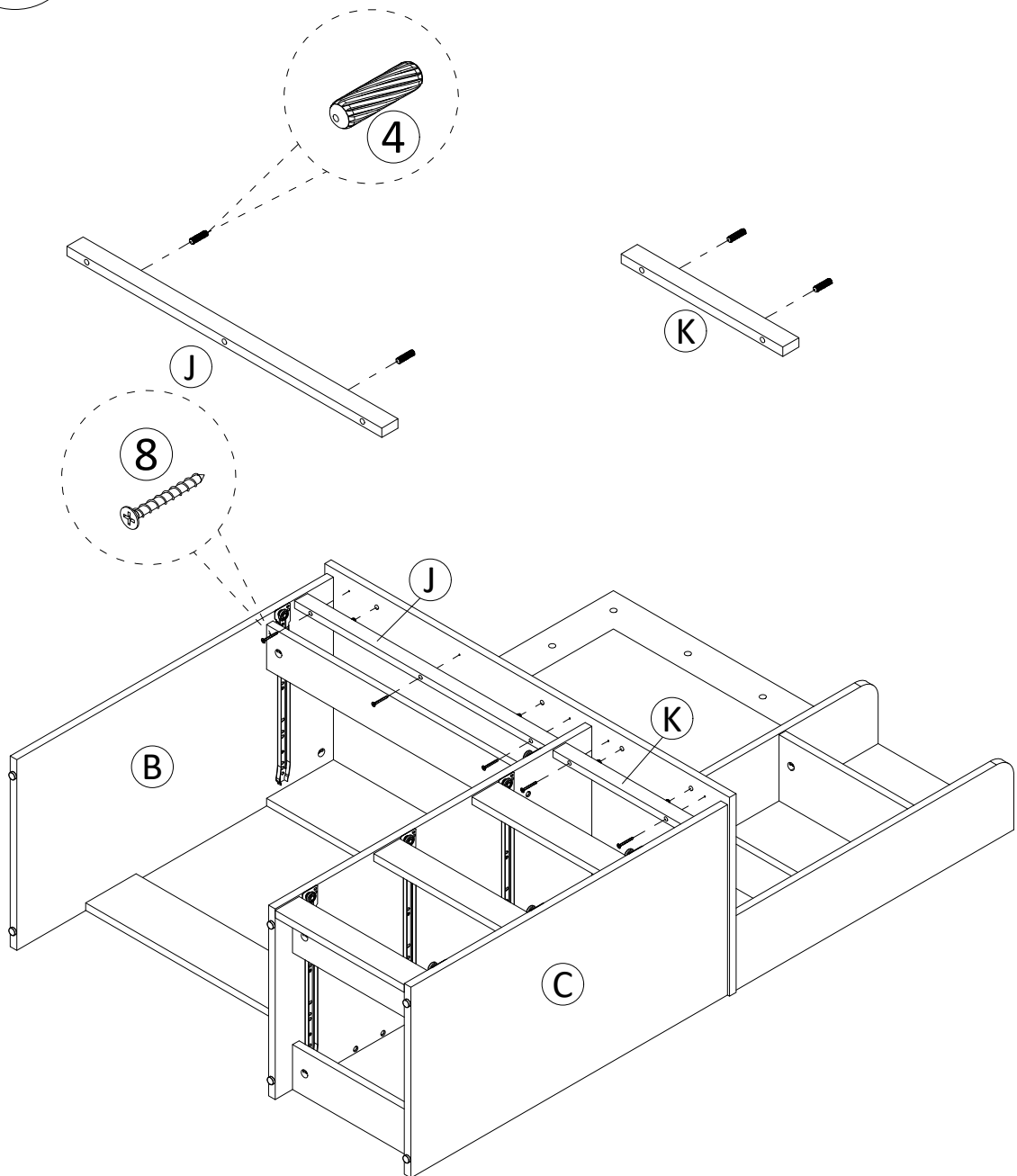
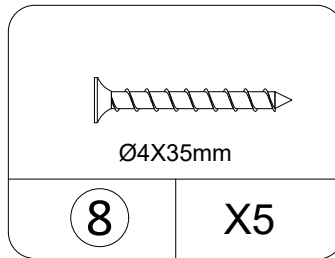
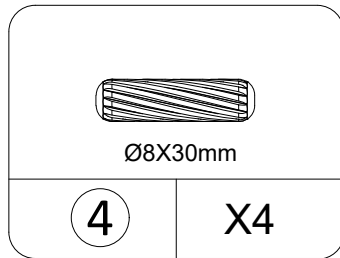
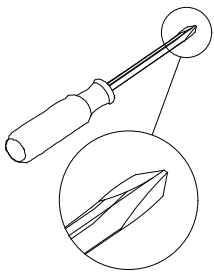


STEP13

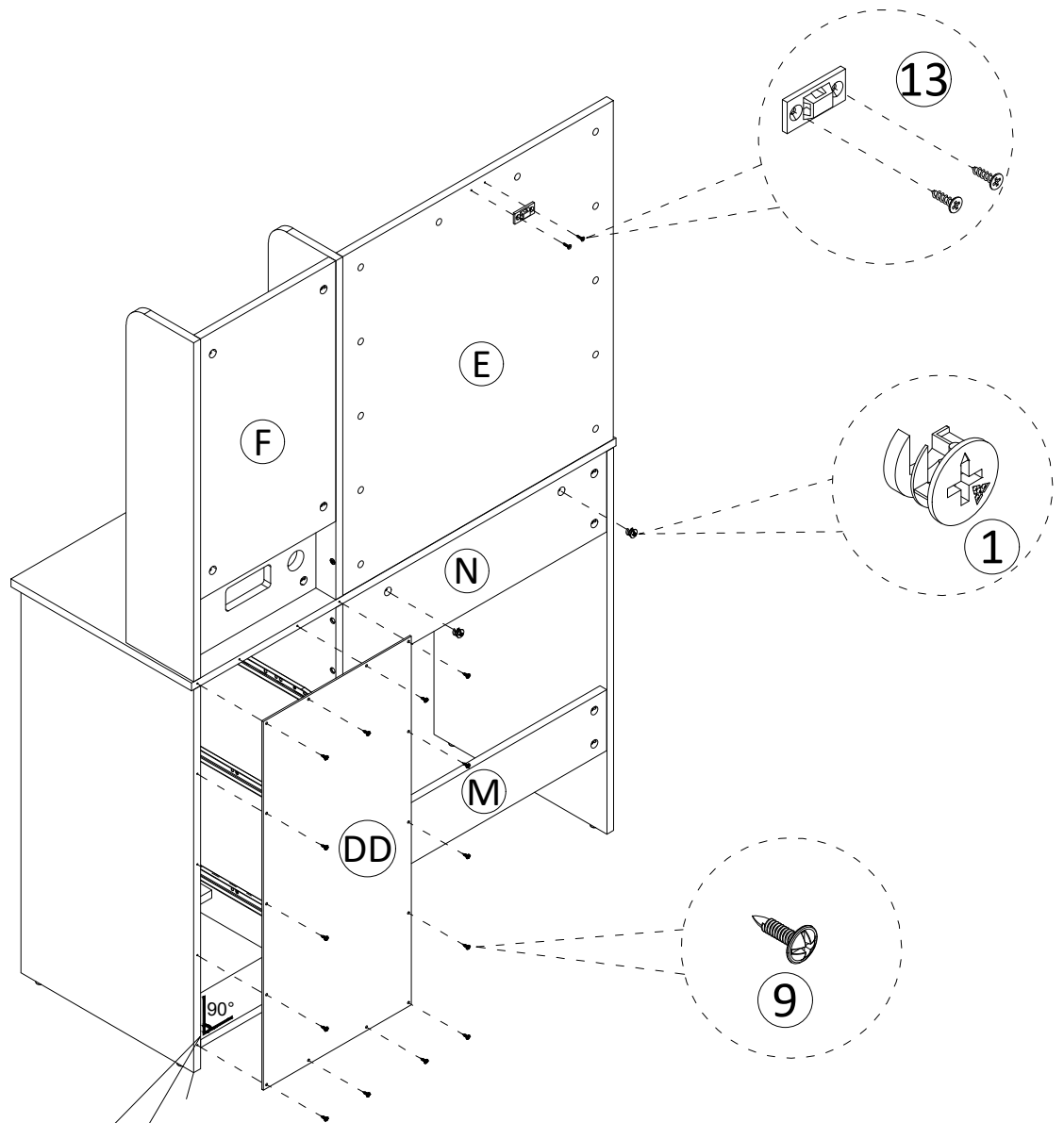
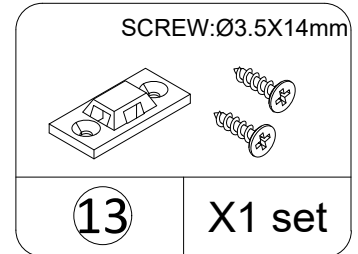
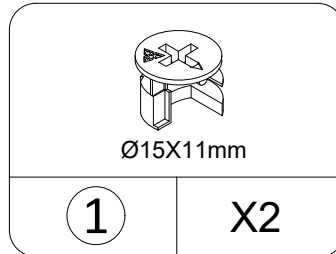
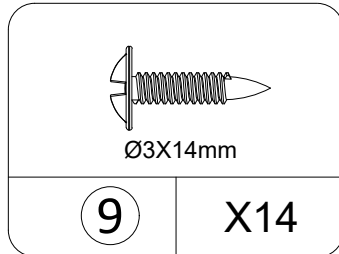
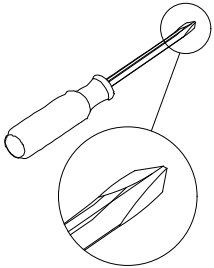


Proper orientation of CAM LOCK

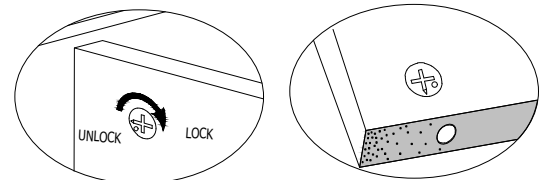
STEP 14



STEP15

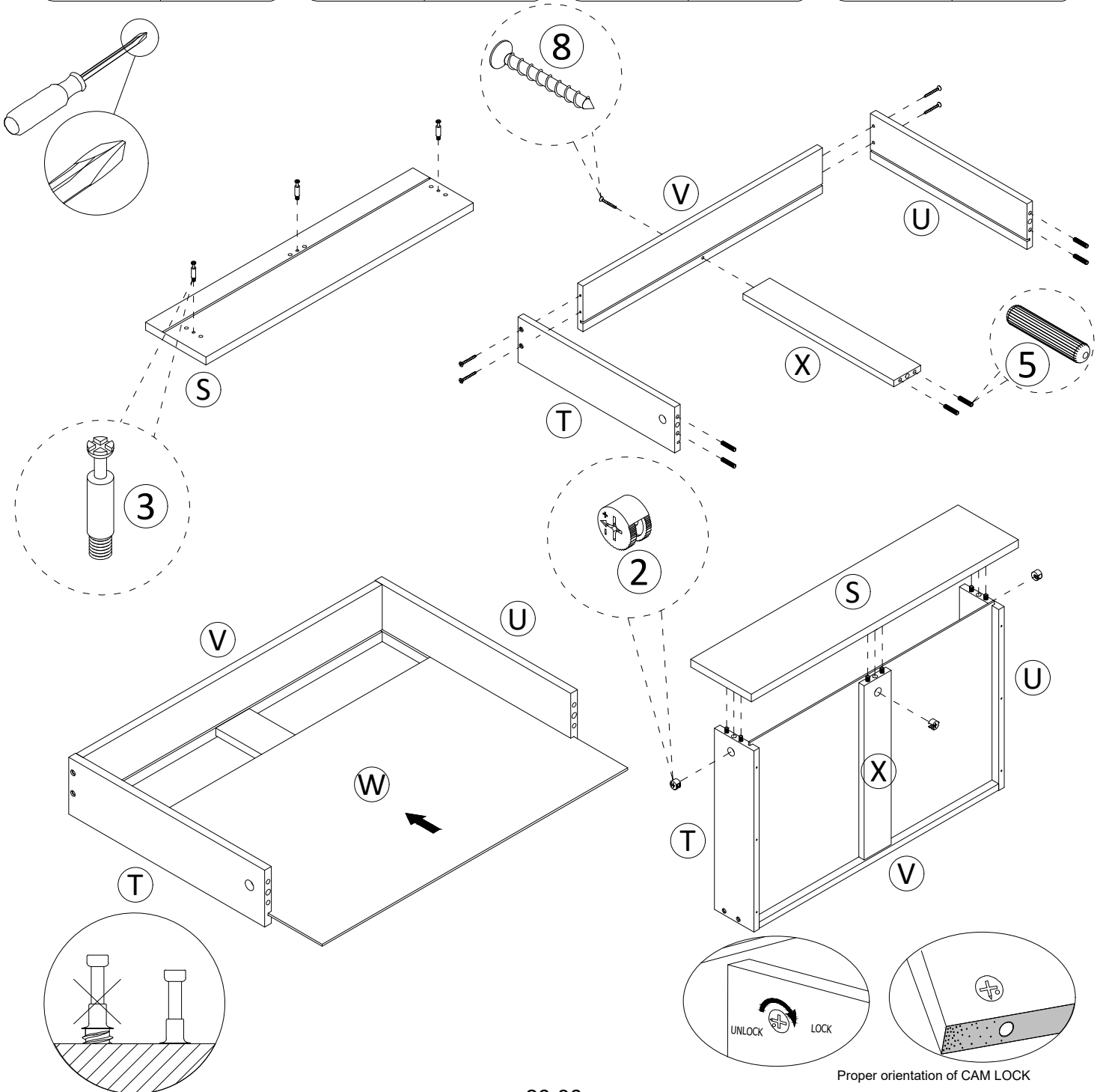
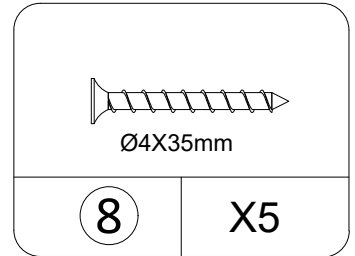
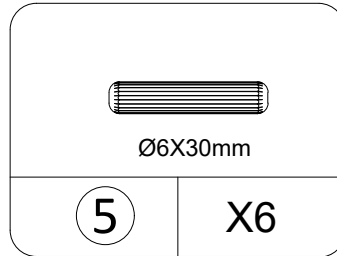
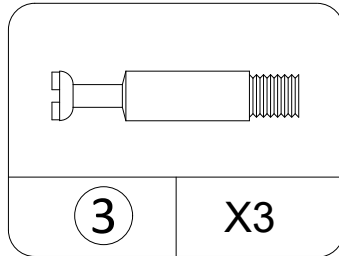
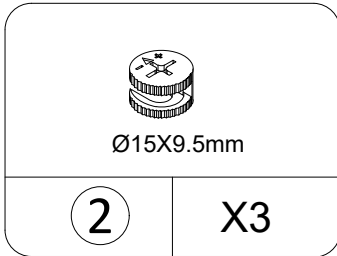


Before attaching the back panel, be sure that the unit is at 90°.
 Avant de fixer le panneau arrière, assurez-vous que l'unité est à 90°.




Proper orientation of CAM LOCK

STEP 16




Proper orientation of CAM LOCK

STEP 17




Ø15X9.5mm

2 X12

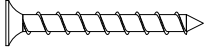


3 X12



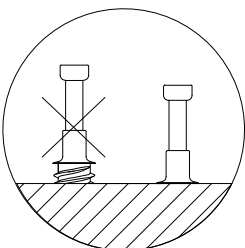
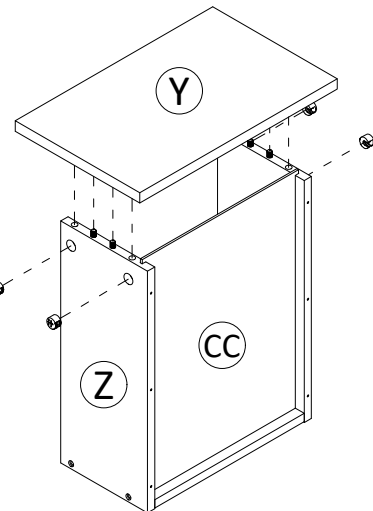
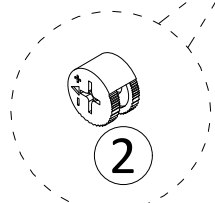
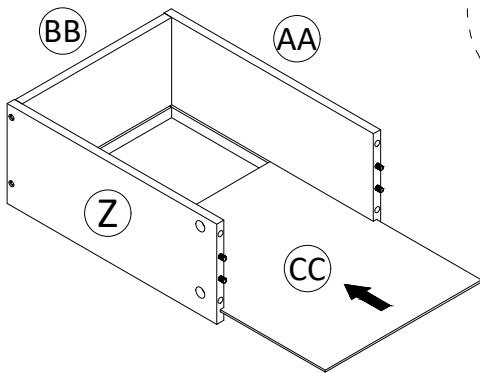
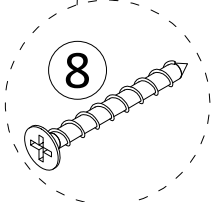
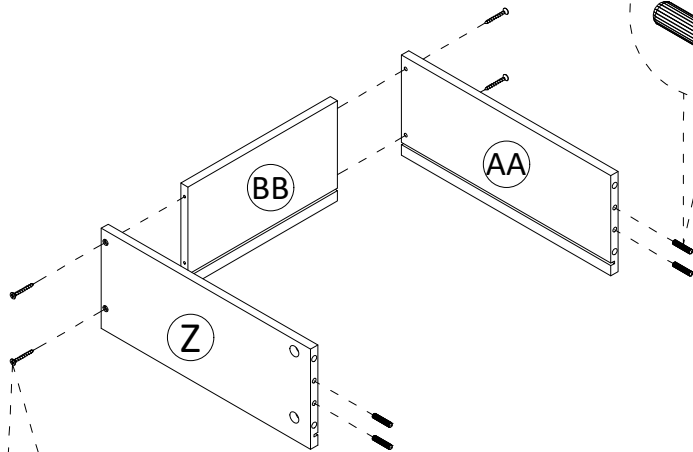
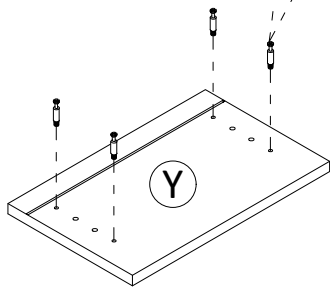
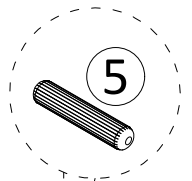
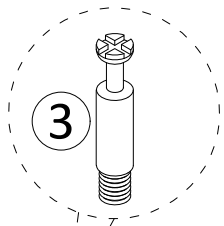
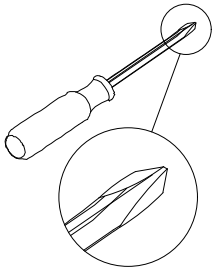
Ø6X30mm

5 X12

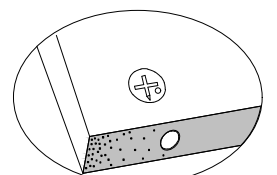
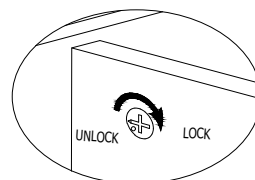


Ø4X35mm

8 X12

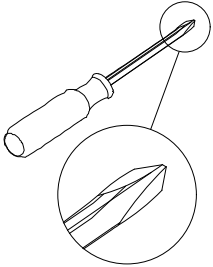


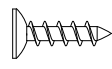
X 3

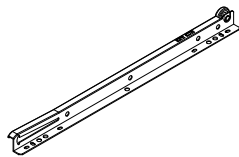


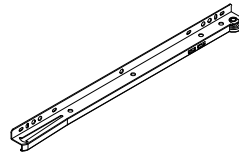
Proper orientation of CAM LOCK

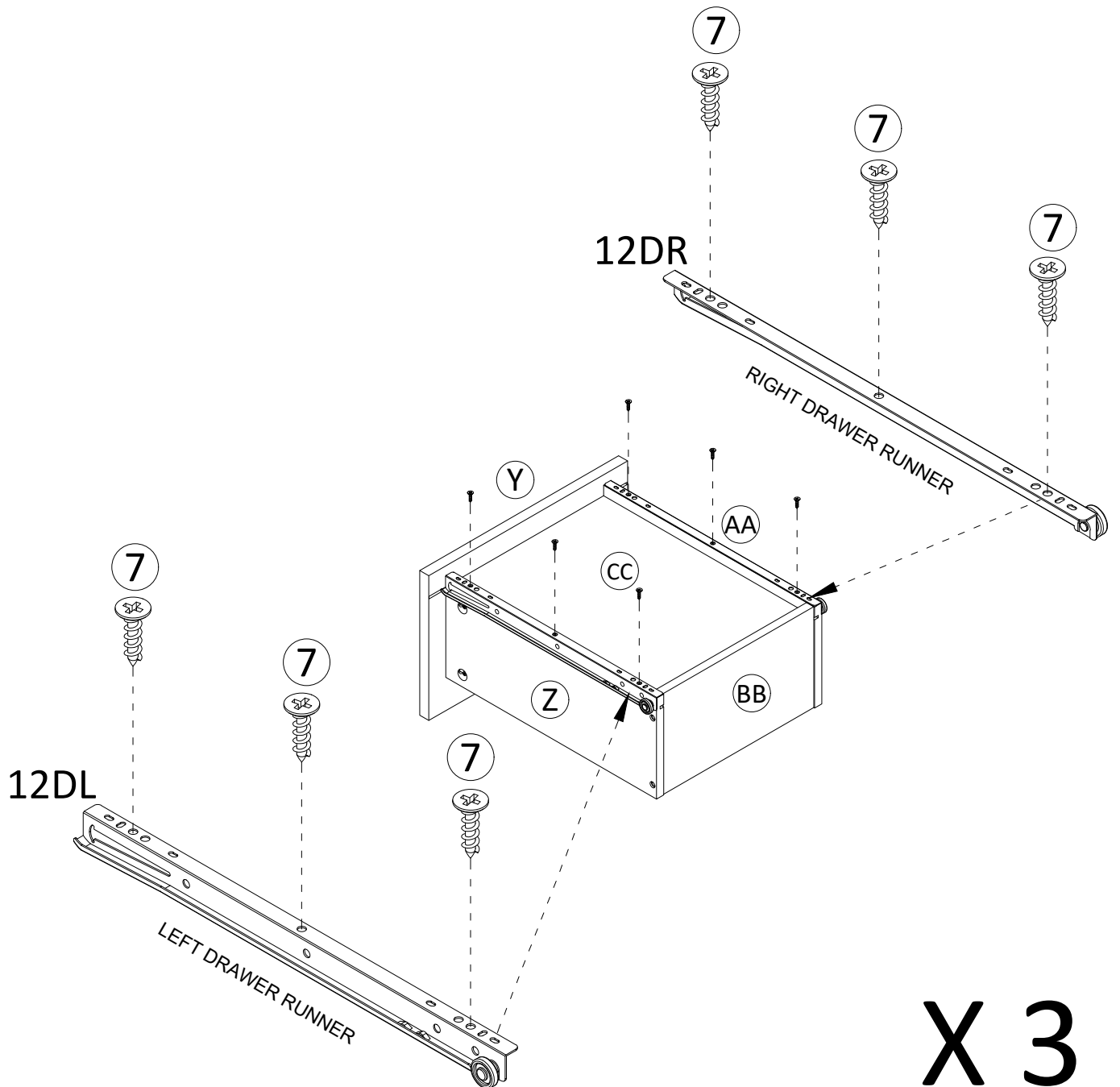
STEP18



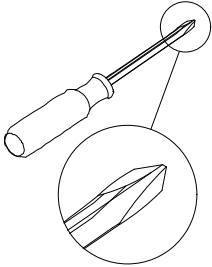
 Ø3.5X14mm	
7	X18

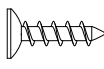
	
12DL	X3

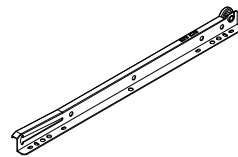
	
12DR	X3

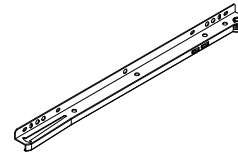


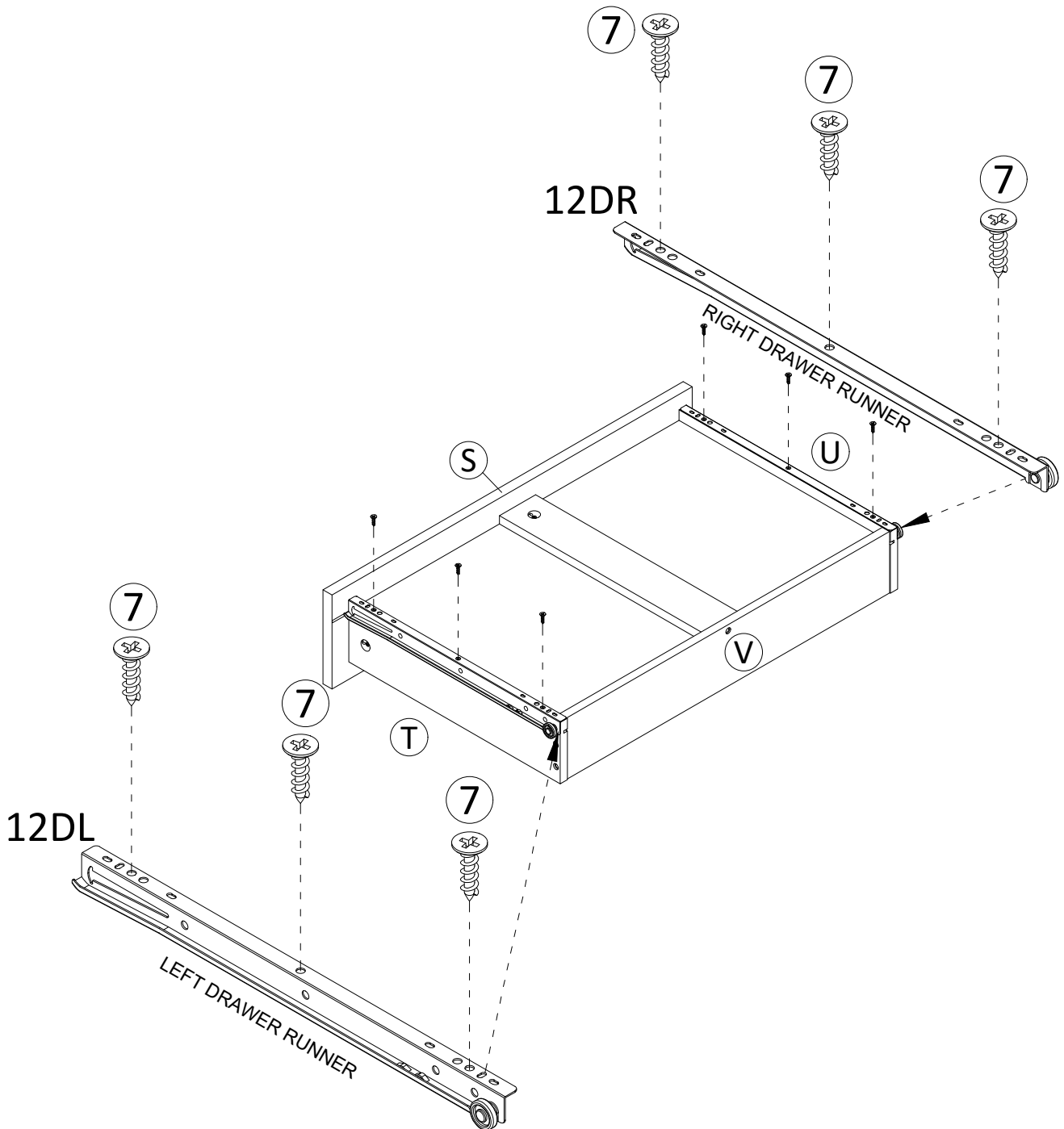
STEP 19



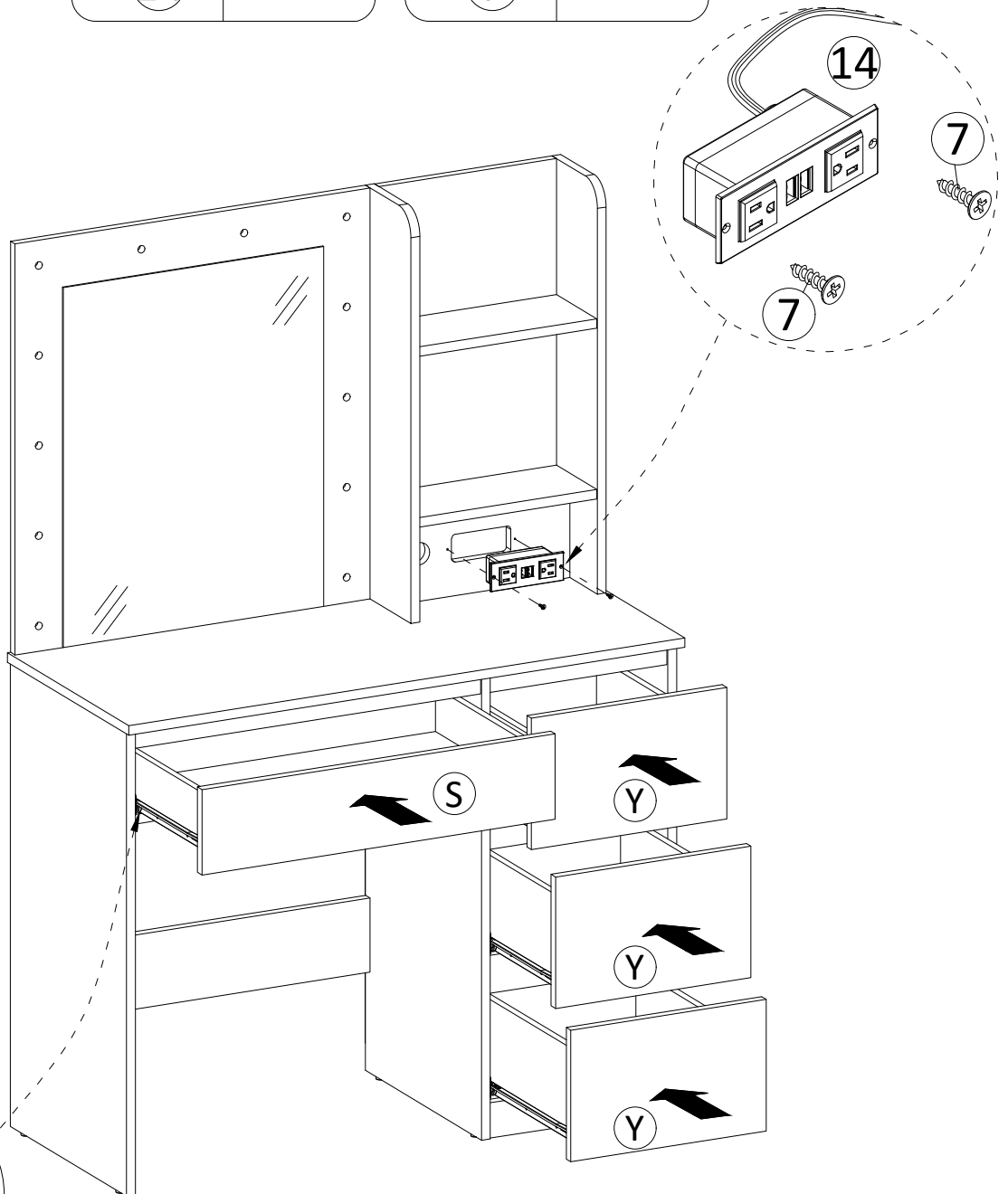
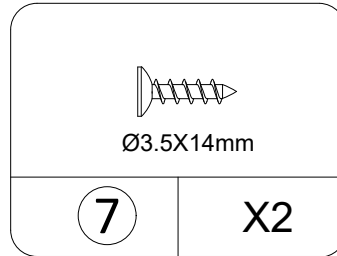
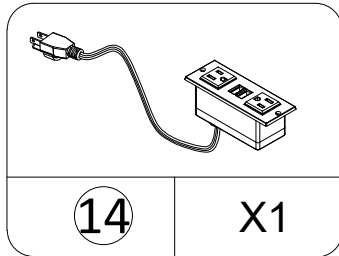
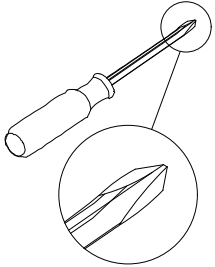
 Ø3.5X14mm	
7	X6

	
12DL	X1

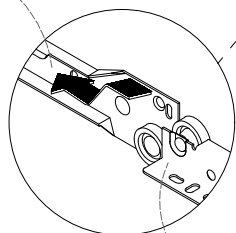
	
12DR	X1



STEP20

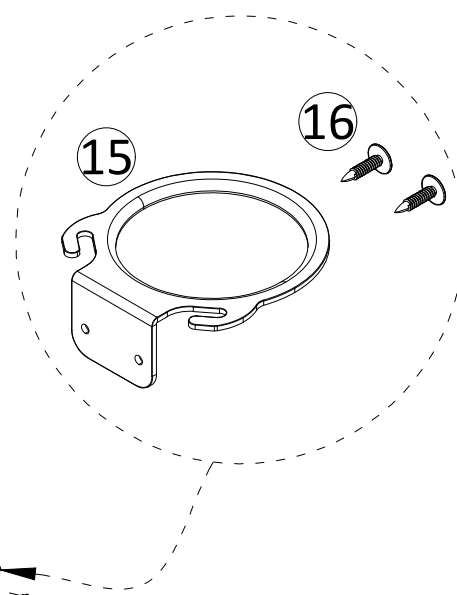
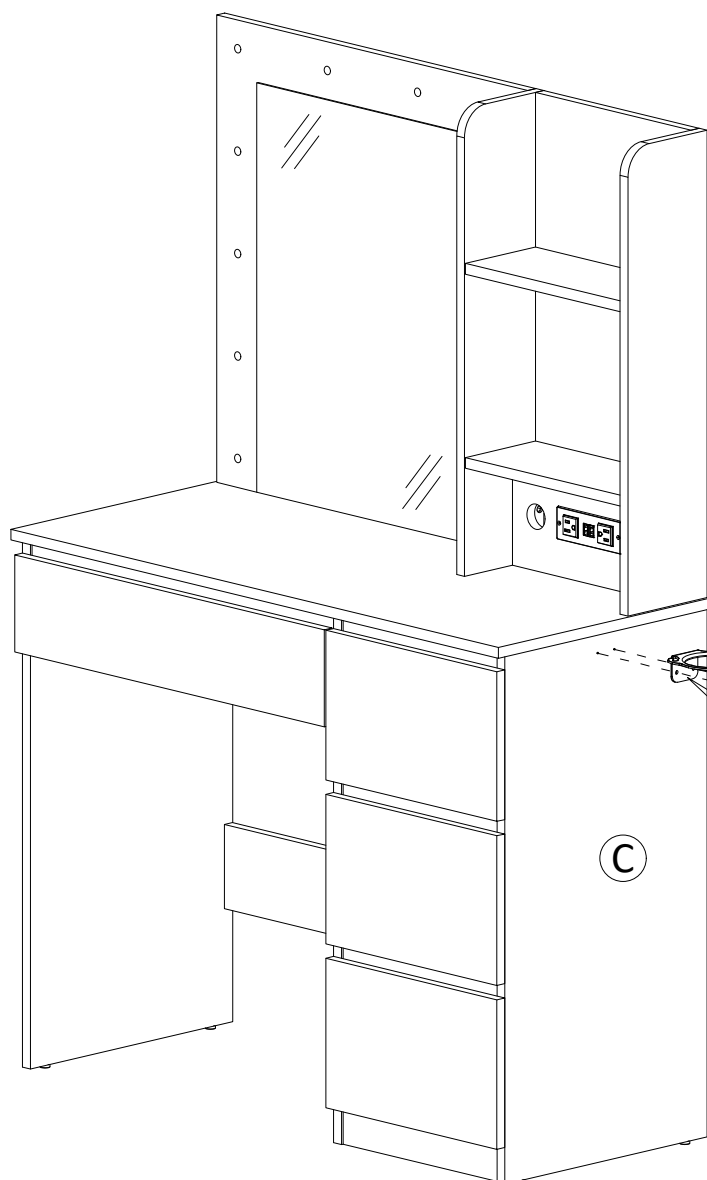
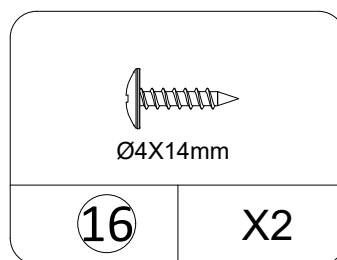
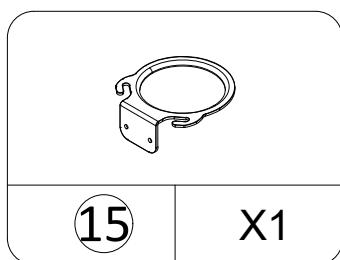
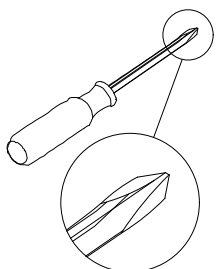


Cabinet Slide



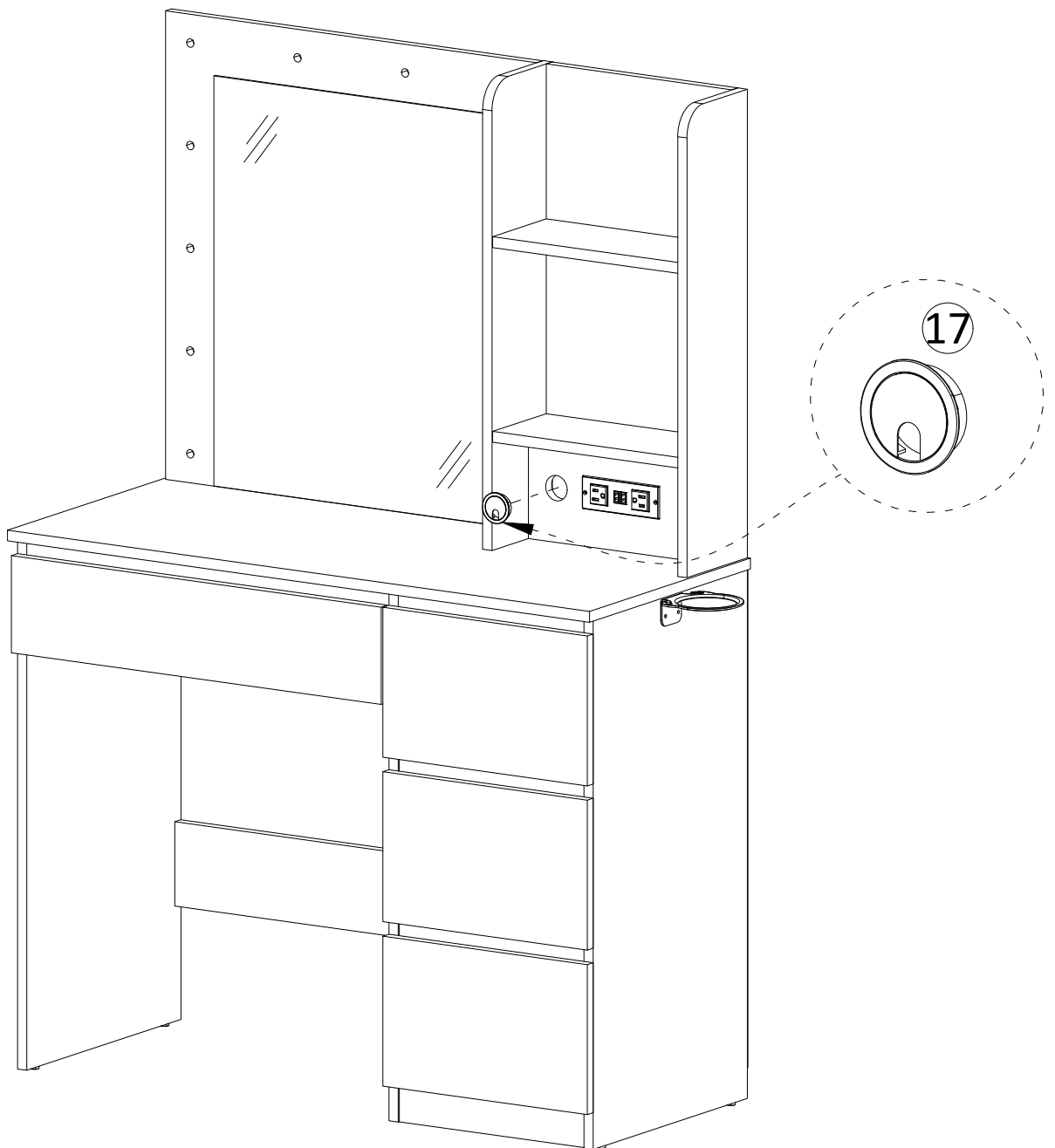
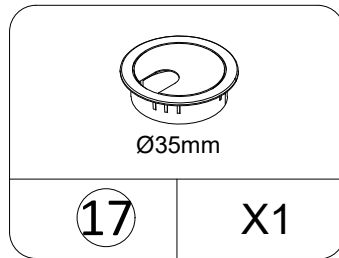
Drawer Slide

STEP21

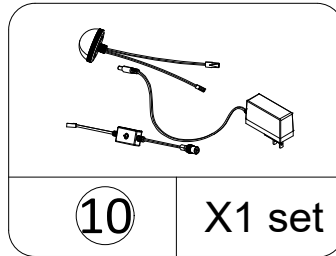


C You can install the hair dryer rack(14) on the left or right according to your needs

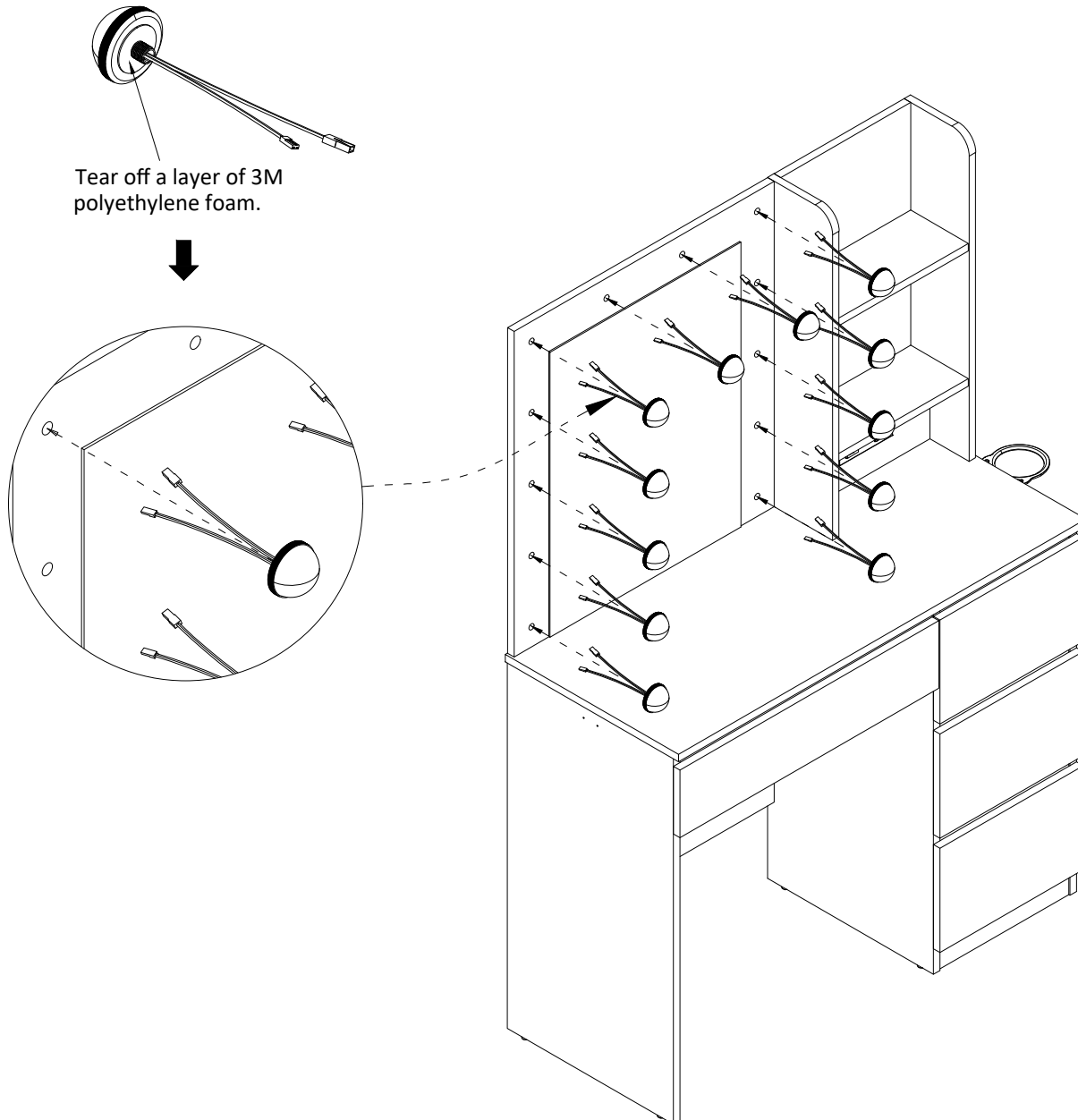
STEP22



STEP23



Pass the bulb wire through the pre punched plate, then gently press the bulb and make it adhere to the plate.

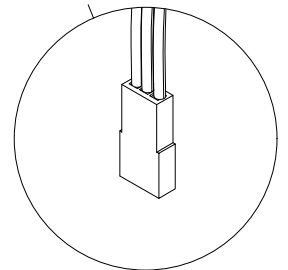
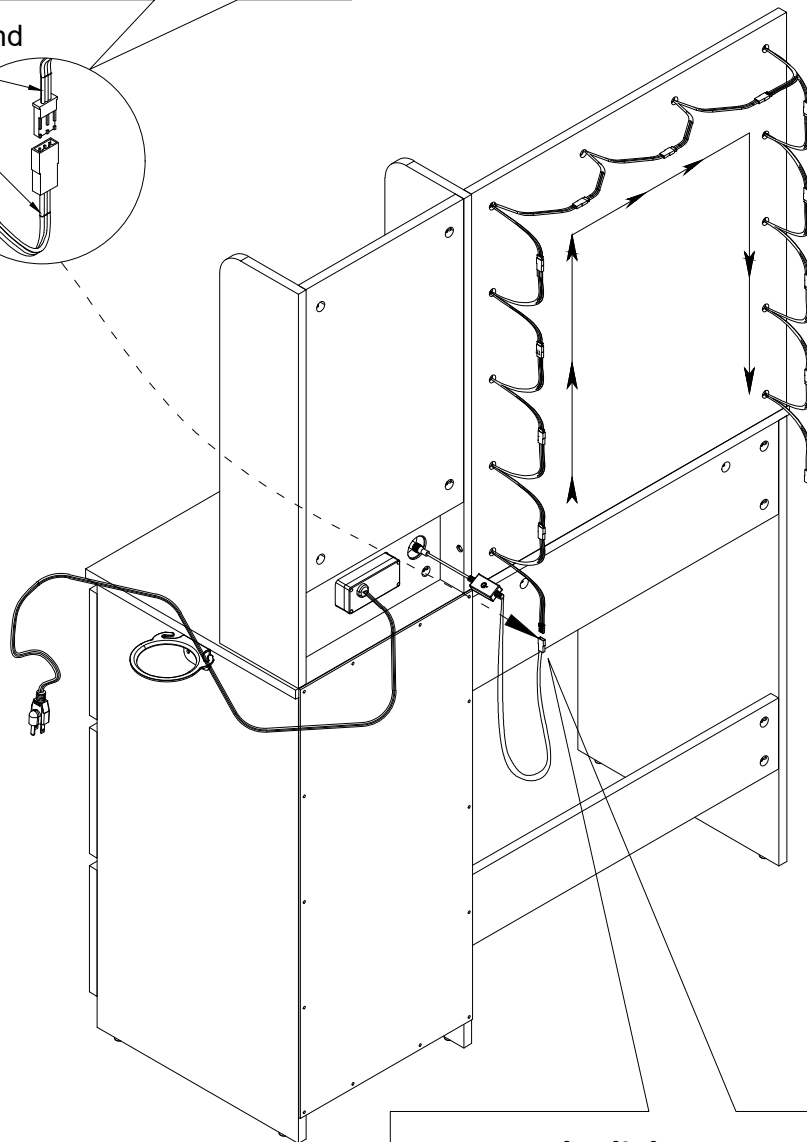
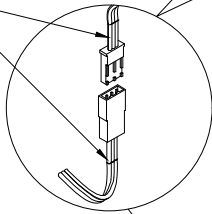


STEP24

Connect the adjacent bulbs successively through the opposite wire head slot (corresponding to the same color line).

When connecting the interface, please note that the colors of the wires at both ends correspond one by one

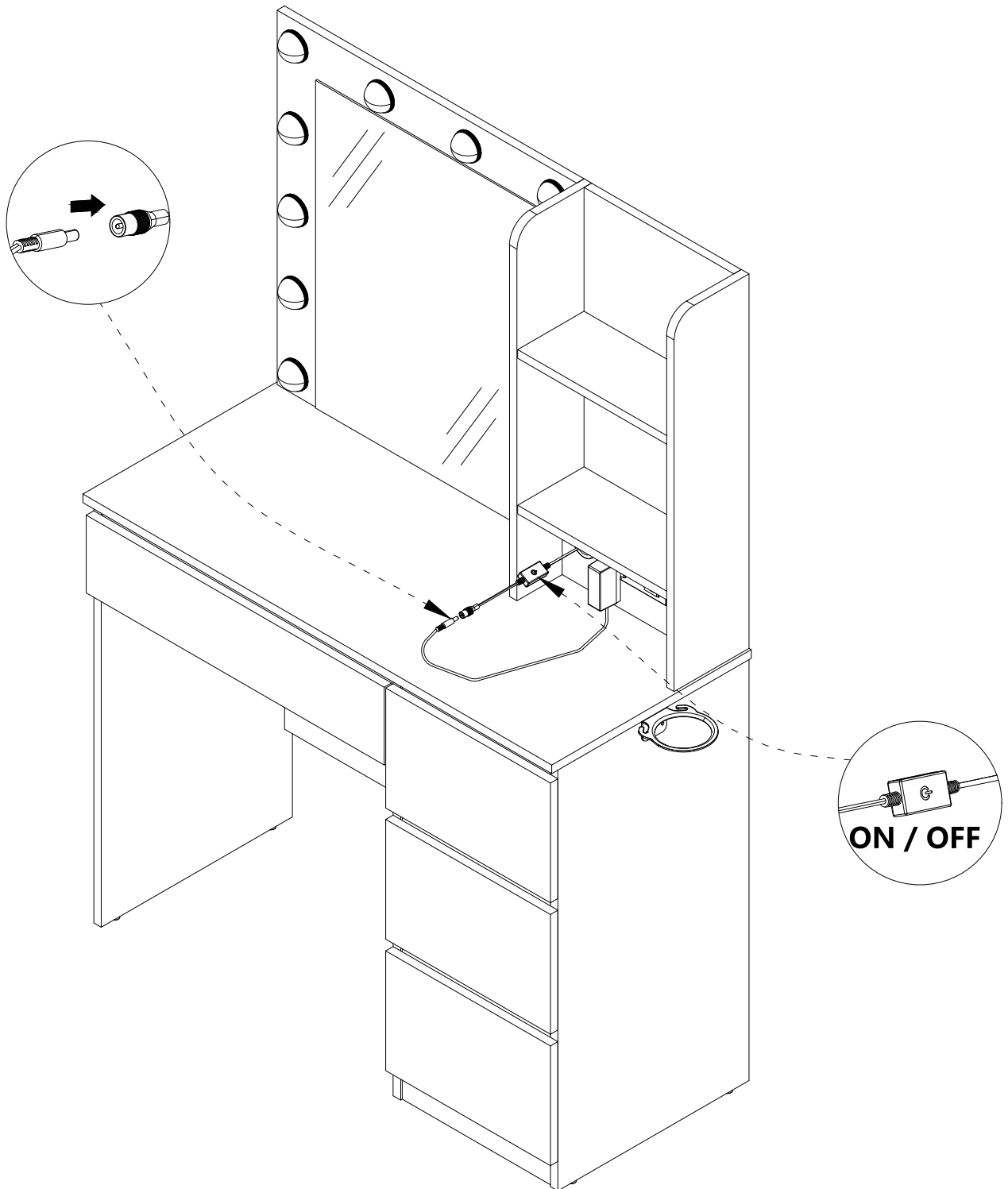
same color correspond



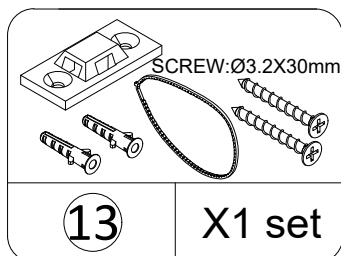
Connect the lights according to the figure. First connect the switch with the first bulb, and then connect other bulbs in series.

STEP25

When making up, you can use the switch to turn on or off the light. The dressing table brings you 3 color temperature light modes, touch the button you can easy light up the mirror and change colors to meet your different needs, long press to adjust the brightness.



STEP26

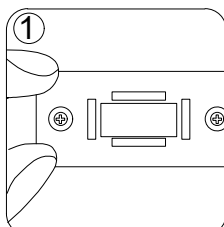


We have included a set of tipping restraint hardware for this unit. You must install this hardware to prevent accidents or injuries that can result from the unit falling. When properly installed, this restraint can provide protection against the unexpected tipping of the unit due to small tremors, bumps or climbing. We strongly recommend mounting this hardware to a wall stud and your unit.

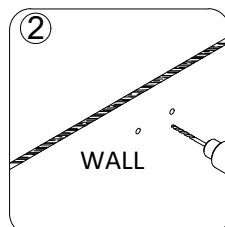
NOTE:The tipping restraint hardware included is for wooden stud wall construction. It must be attached to a wall stud. Depending upon your wall construction different anchor hardware maybe required. Please contact your local hardware store for assistance. Young children can be seriously injured by tipping furniture. You must install the tipping restraint hardware with the unit to prevent the unit from tipping, causing any accidents or damage. The tipping restraints are intended only as a deterrent and are not a substitute for proper adult supervision. The tipping restraints are not earthquake restraints. If you wish to add the extra security of earthquake restraints, they must be purchased and installed separately.



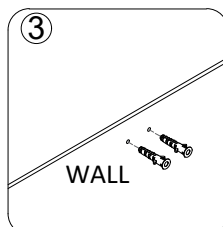
Install the tipping restraint hardware



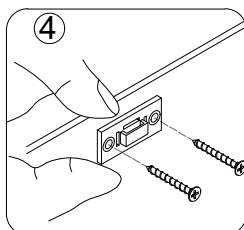
1. make mark on the wall



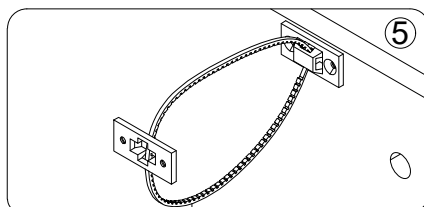
2. drill two Ø6 holes on the wall



3. put two anchors in the holes



4. fix the device on the wall by the long screws



5. Push the cabinet close to the wall so that the two bases are close to each other, and then put on nylon tie to tighten it.

