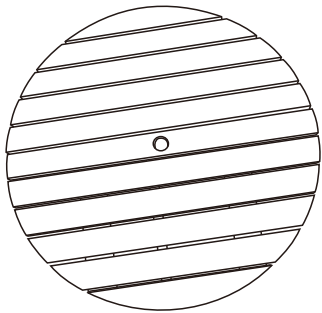
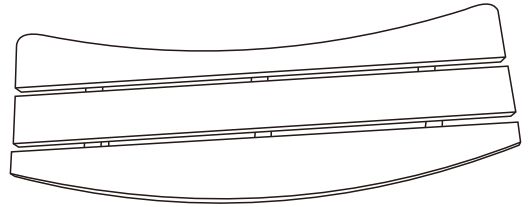


A



1pc

B



3pcs

C



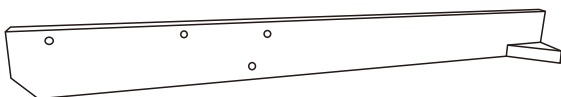
2pcs

D



3pcs

E

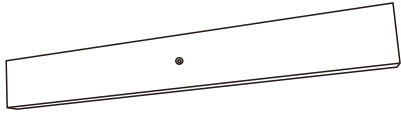





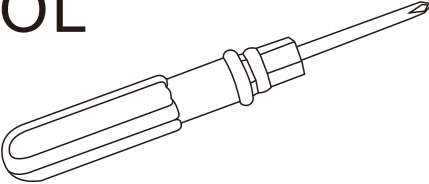
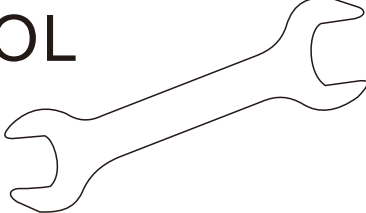


1pc

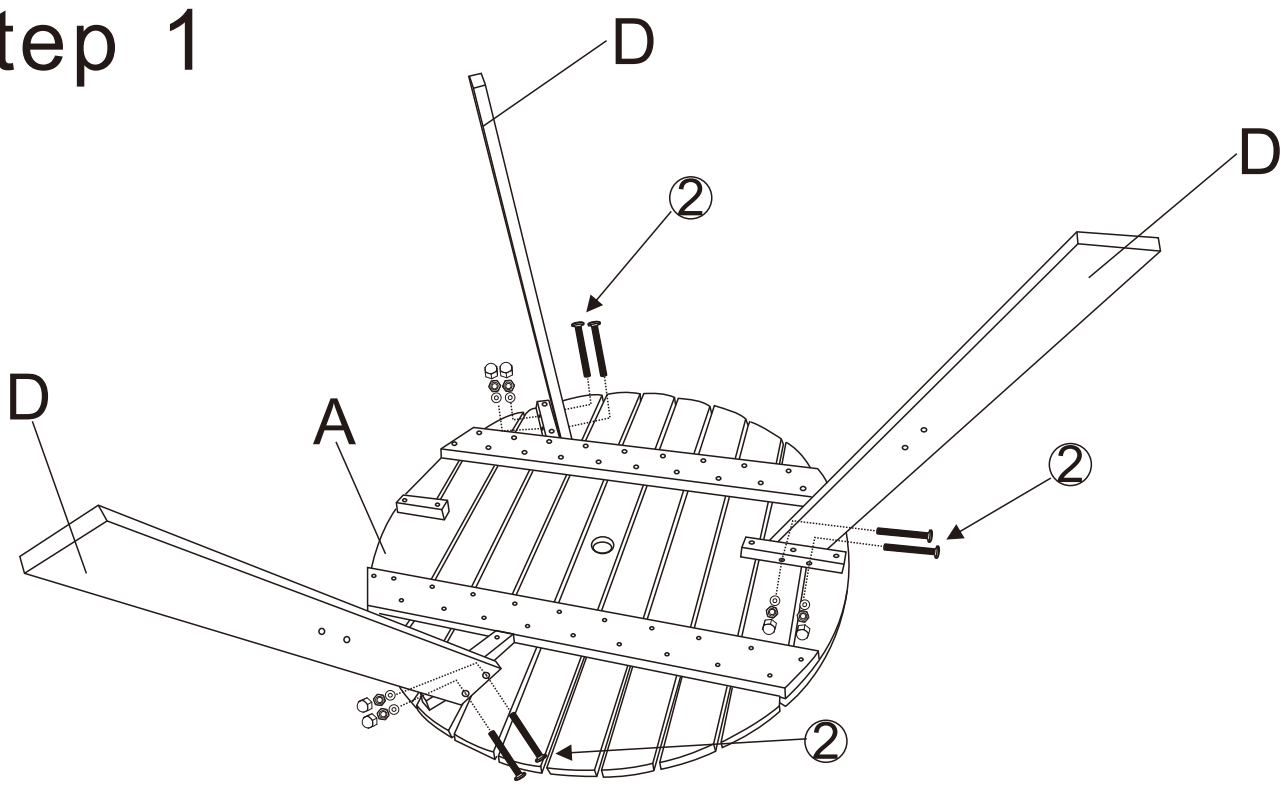
F



6pcs

<p><b>G</b></p>  <p>3pcs</p>	<p>① 6*65mm</p>  <p>18pcs</p>
<p>② 8*65mm</p>  <p>12pcs</p>	<p>③ 6*45mm</p>  <p>6pcs</p>
<p>④ 4*60mm</p>  <p>6pcs</p>	<p>⑤ 4*45mm</p>  <p>5pcs</p>
<p><b>TOOL</b></p>  <p>1pc</p>	<p><b>TOOL</b></p>  <p>1pc</p>

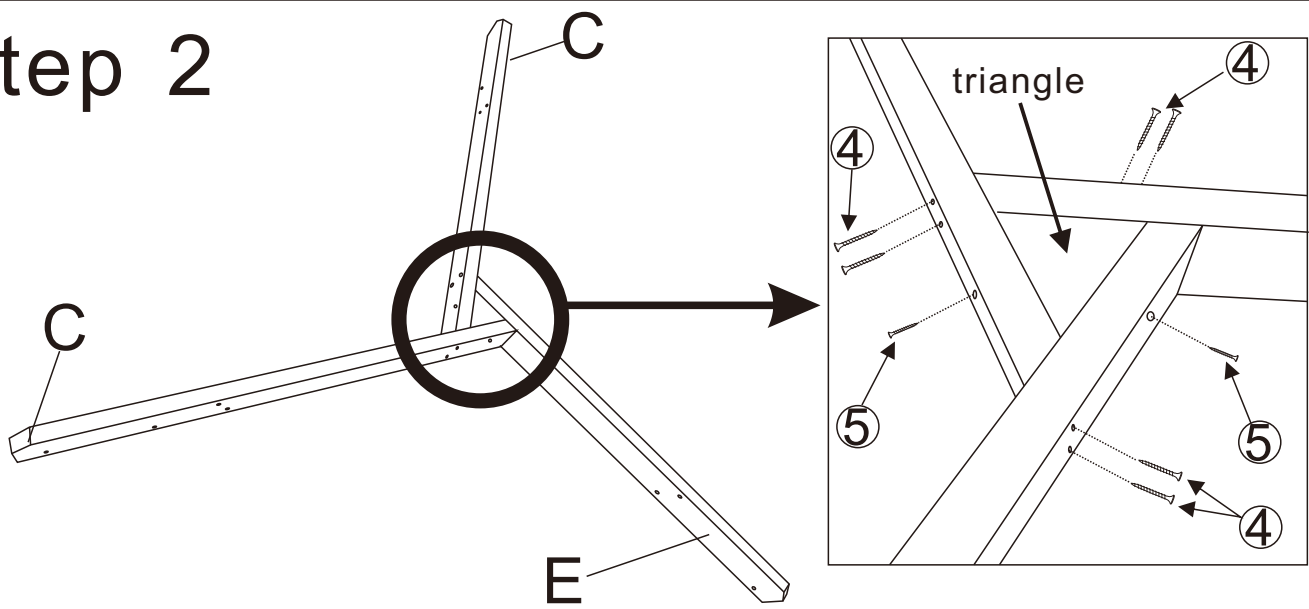
**step 1**



Bolts ② on this step need to be 50% tighten. Each leg assembled just like above photo. It is Important !

② = 6pcs

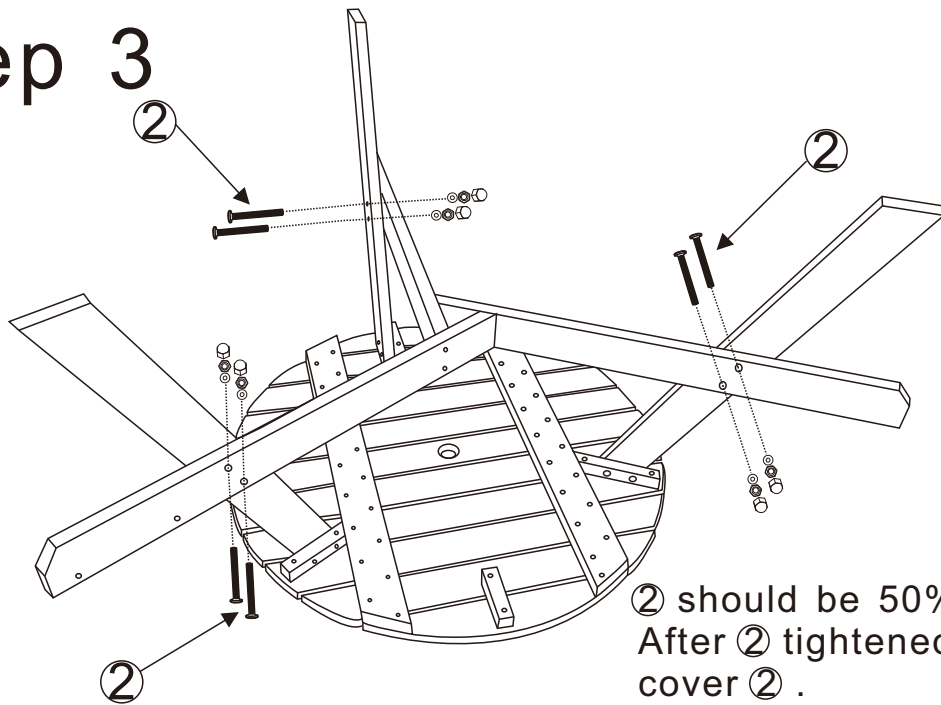
## step 2



Fix the screws ④ and ⑤ like the photo. ④ and ⑤ should be 100% tighten.

④=6pcs ⑤=2pcs

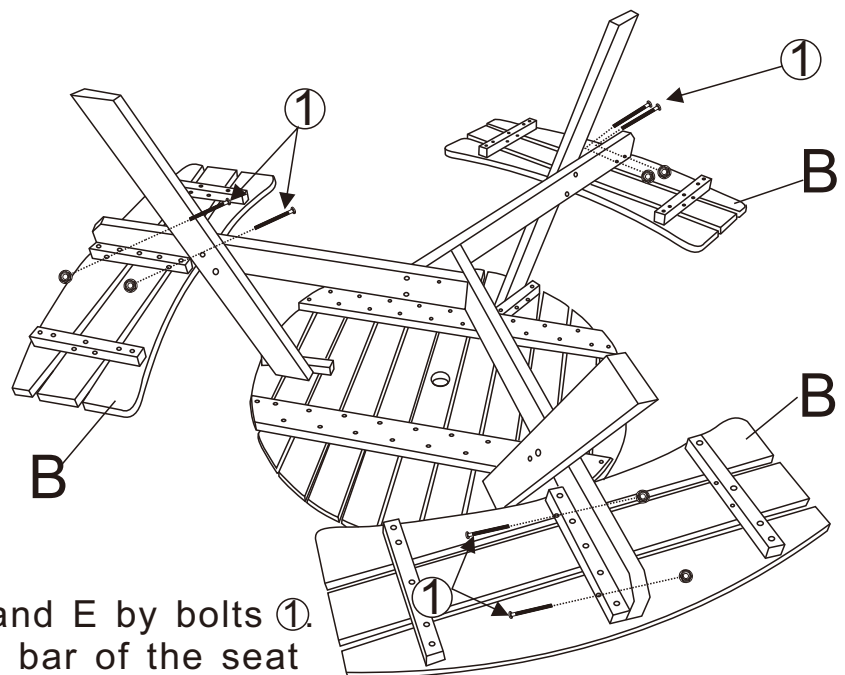
## step 3



② should be 50% tighten on this step ② . After ② tightened, then put on the nut cover ② .

②=6pcs

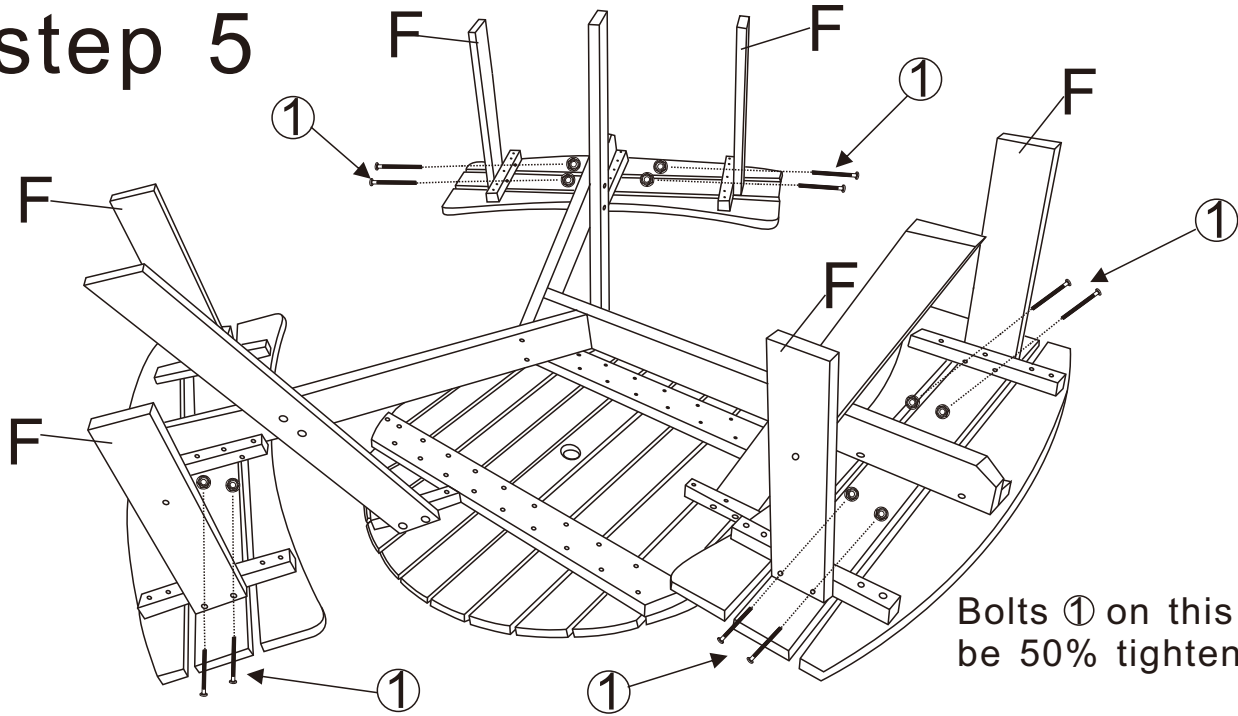
## step 4



Connet the seat to the part C and E by bolts ①. The table leg D and the middle bar of the seat are in the same side ,just like the photo.

①=6pcs

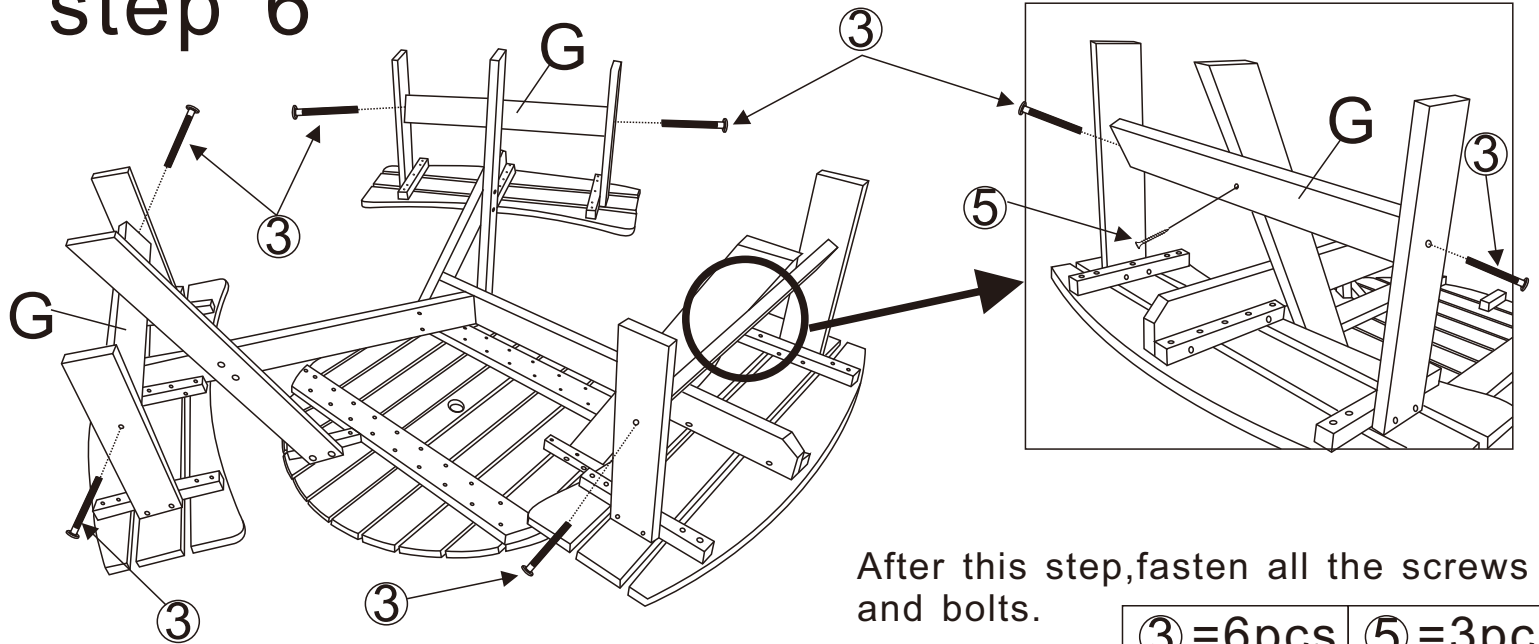
# step 5



Bolts ① on this step need to be 50% tighten.

① = 12pcs

# step 6



After this step, fasten all the screws and bolts.

③ = 6pcs | ⑤ = 3pcs

# step 7

