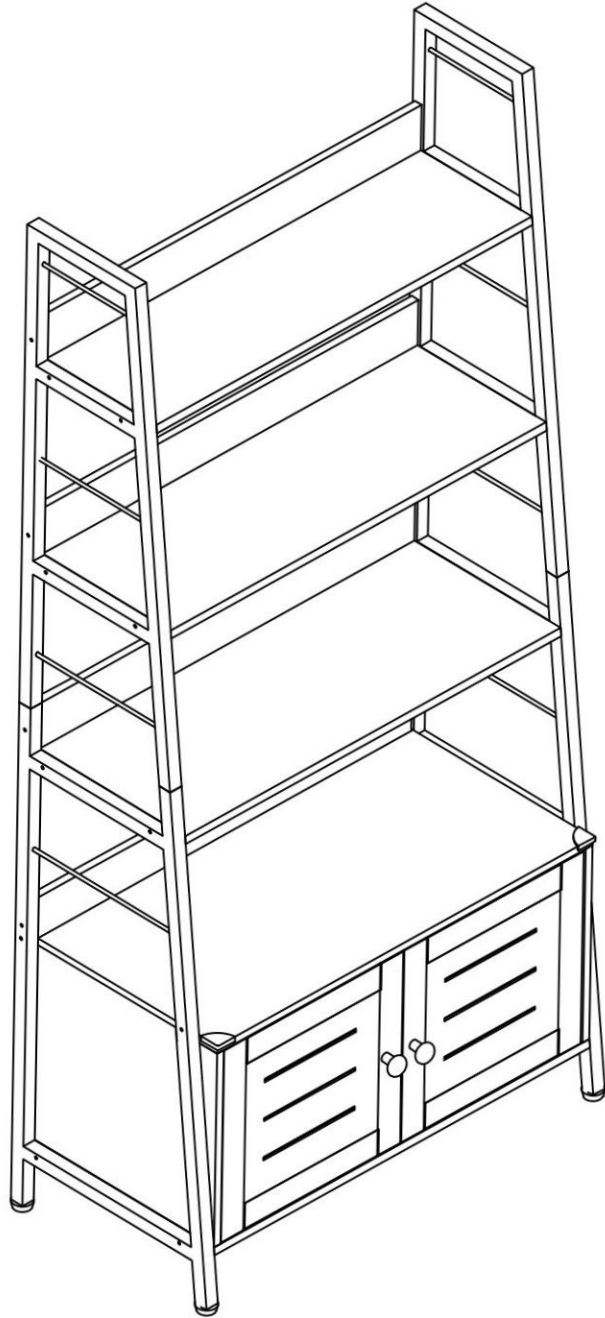
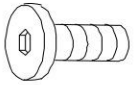



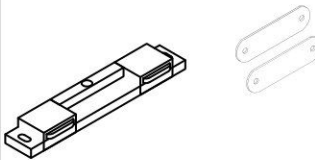

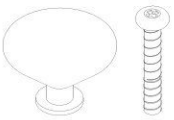
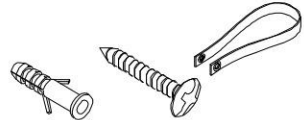
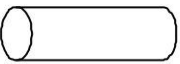

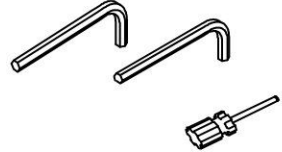
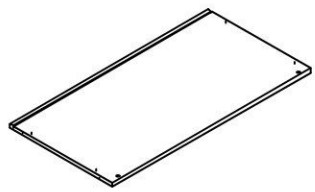
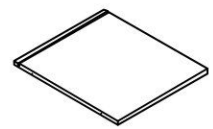
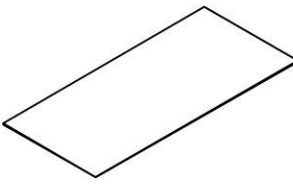
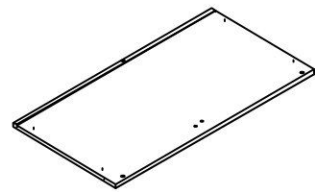
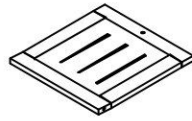
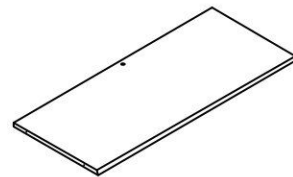
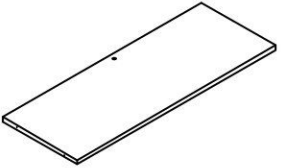
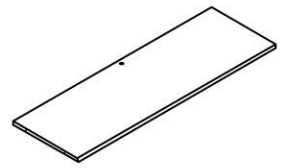

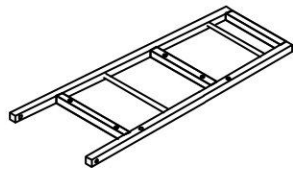
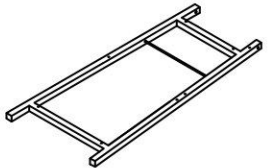






INSTRUCTION MANUAL

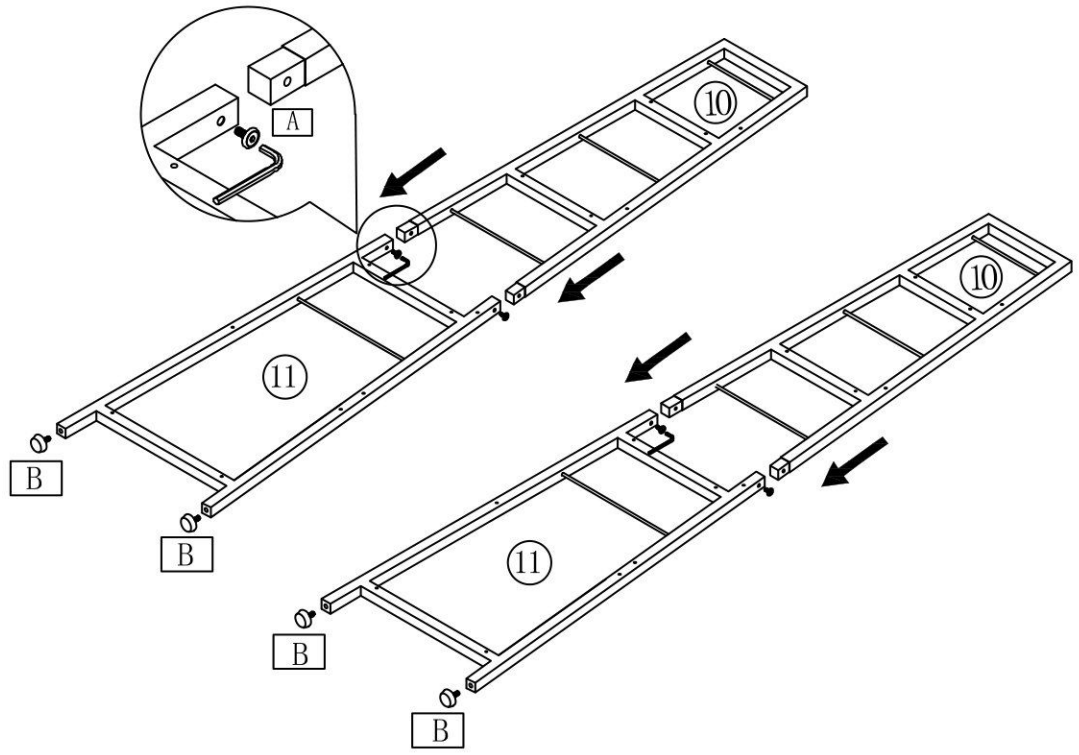







■ Please don't tighten the screws completely and go back later for a final tightening of all the screws after pieces are aligned with each other

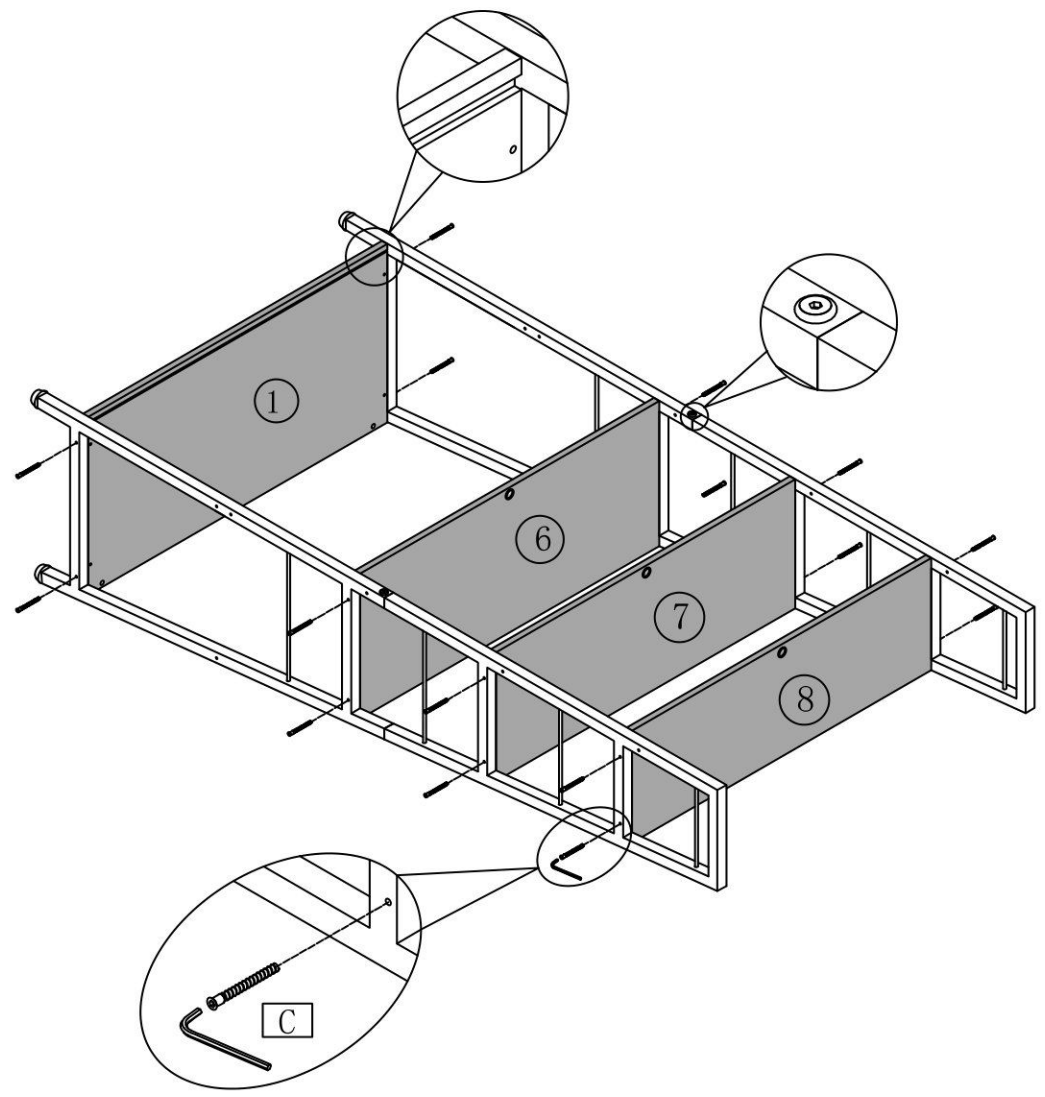


 A X4 M6*10mm	 B X4 M8	 C X32 M5*45mm	 D X7 M3*12mm	 E1 X1 E2 X2	 F X4
 G X2	 H X2	 I X8 M6*30mm	 J X2		
 1 X1	 2 X2	 3 X1	 4 X1	 5 X2	 6 X1
 7 X1	 8 X1	 9 X4	 10 X2	 11 X2	

- A**  X 4
- B**  X 4
- 10**  X 2
- 11**  X 2



- C**  X 16
- 1**  X 1
- 6**  X 1
- 7**  X 1
- 8**  X 1



C X 9

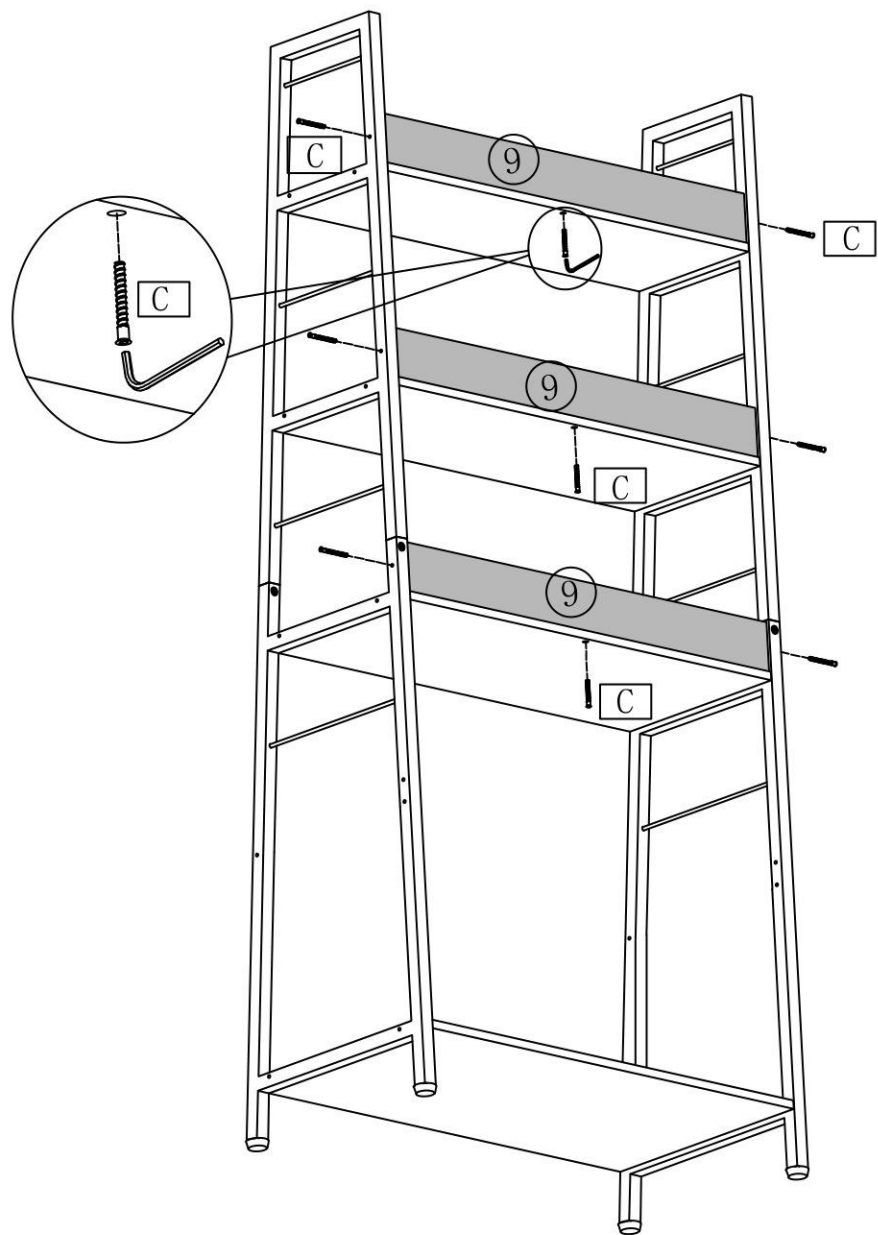
9 X 3



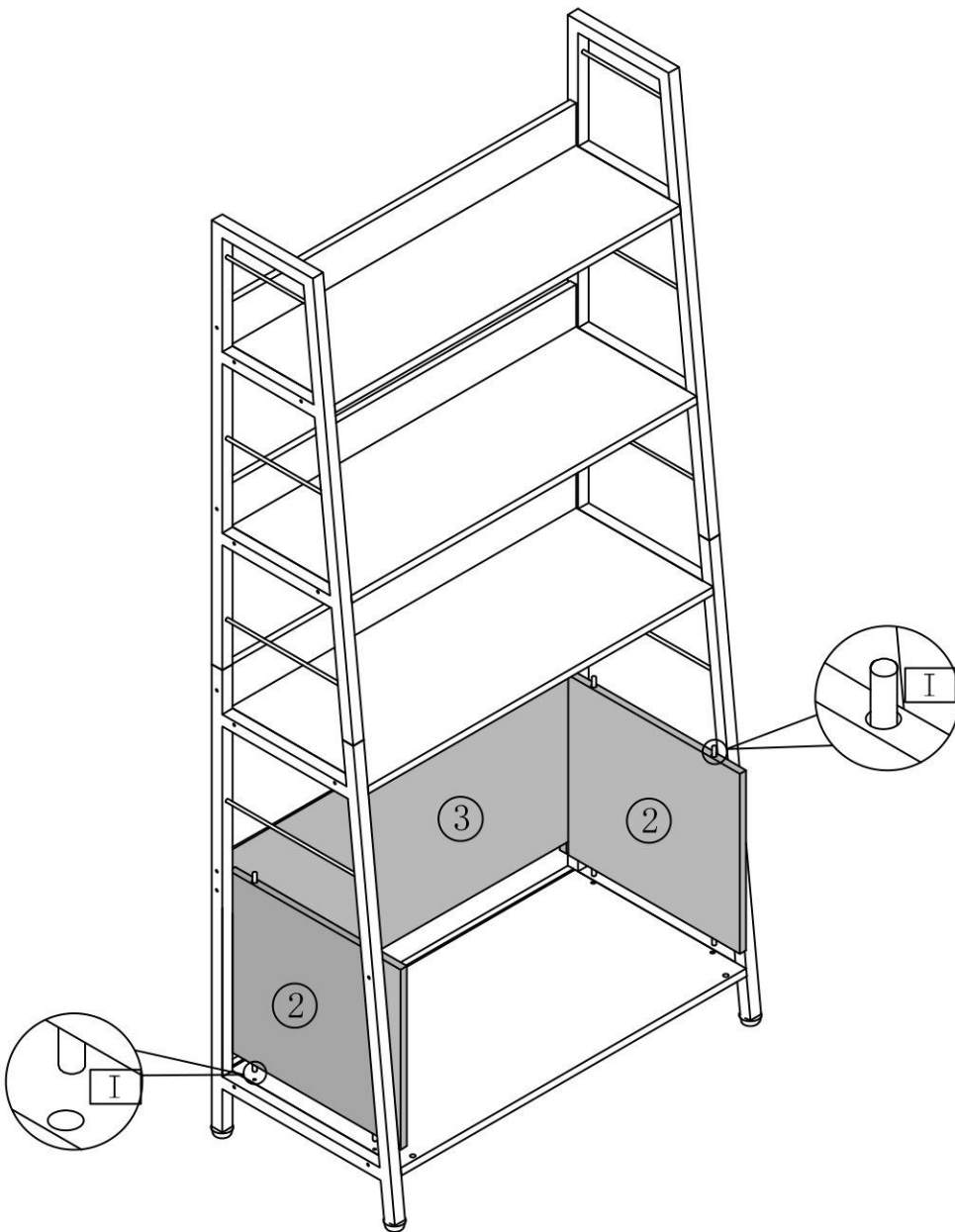
I X 8

2 X 2





3 X 1

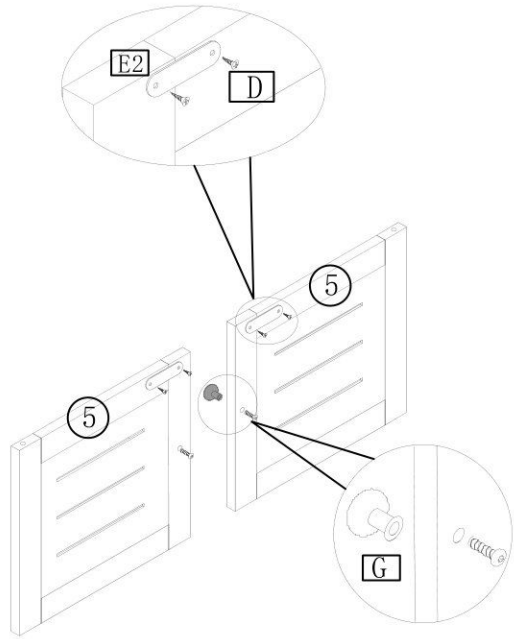


3
4/8






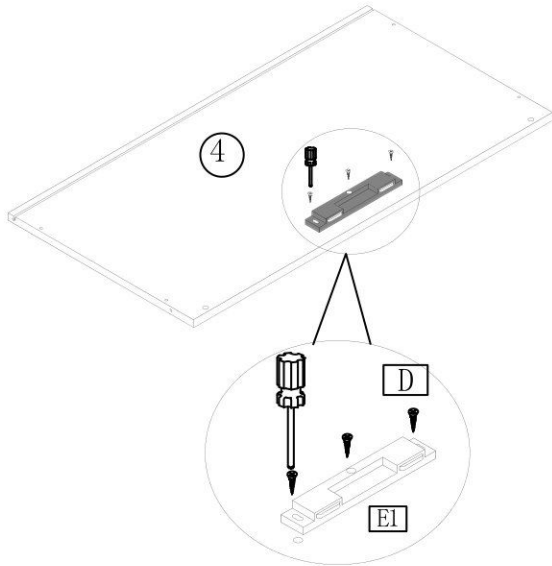
4

- D  X 4
- E2  X 2
- G  X 2
- 5  X 2






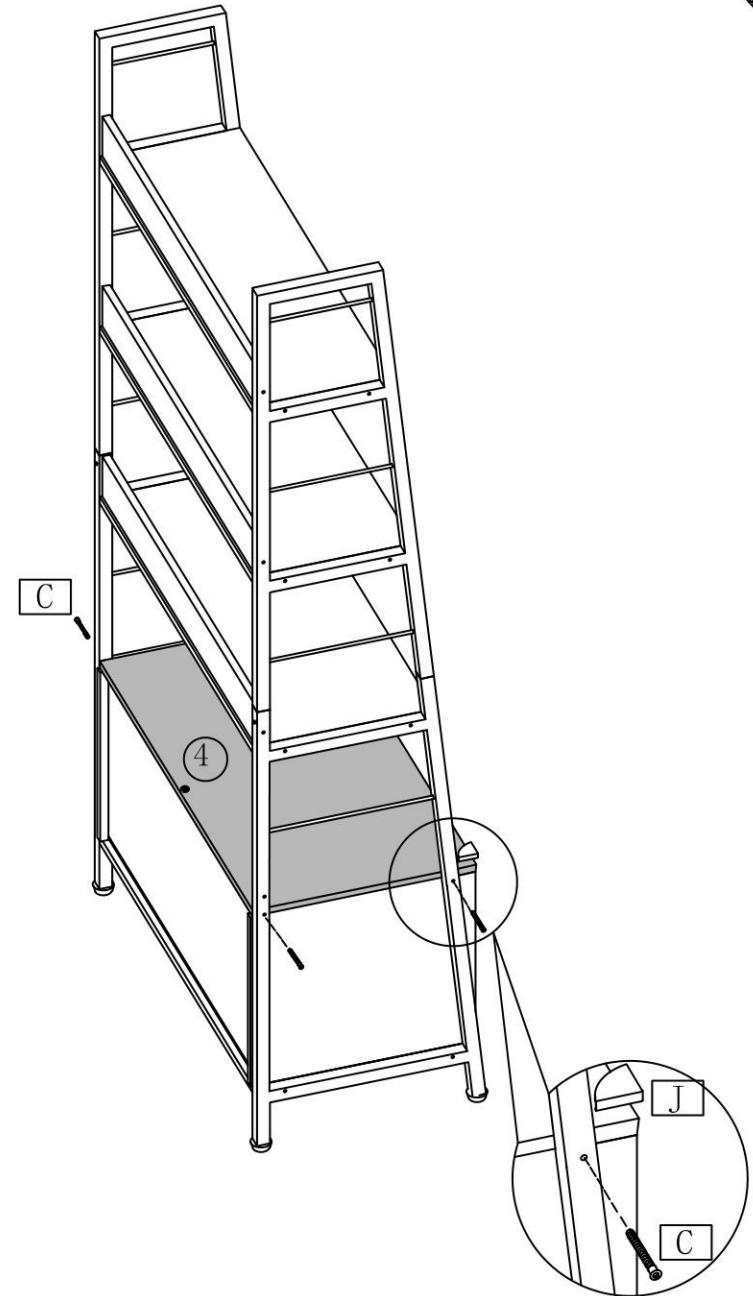
5

- D  X 3
- E1  X 1
- 4  X 1



6

- C  X 4
- J  X 2
- 4  X 1

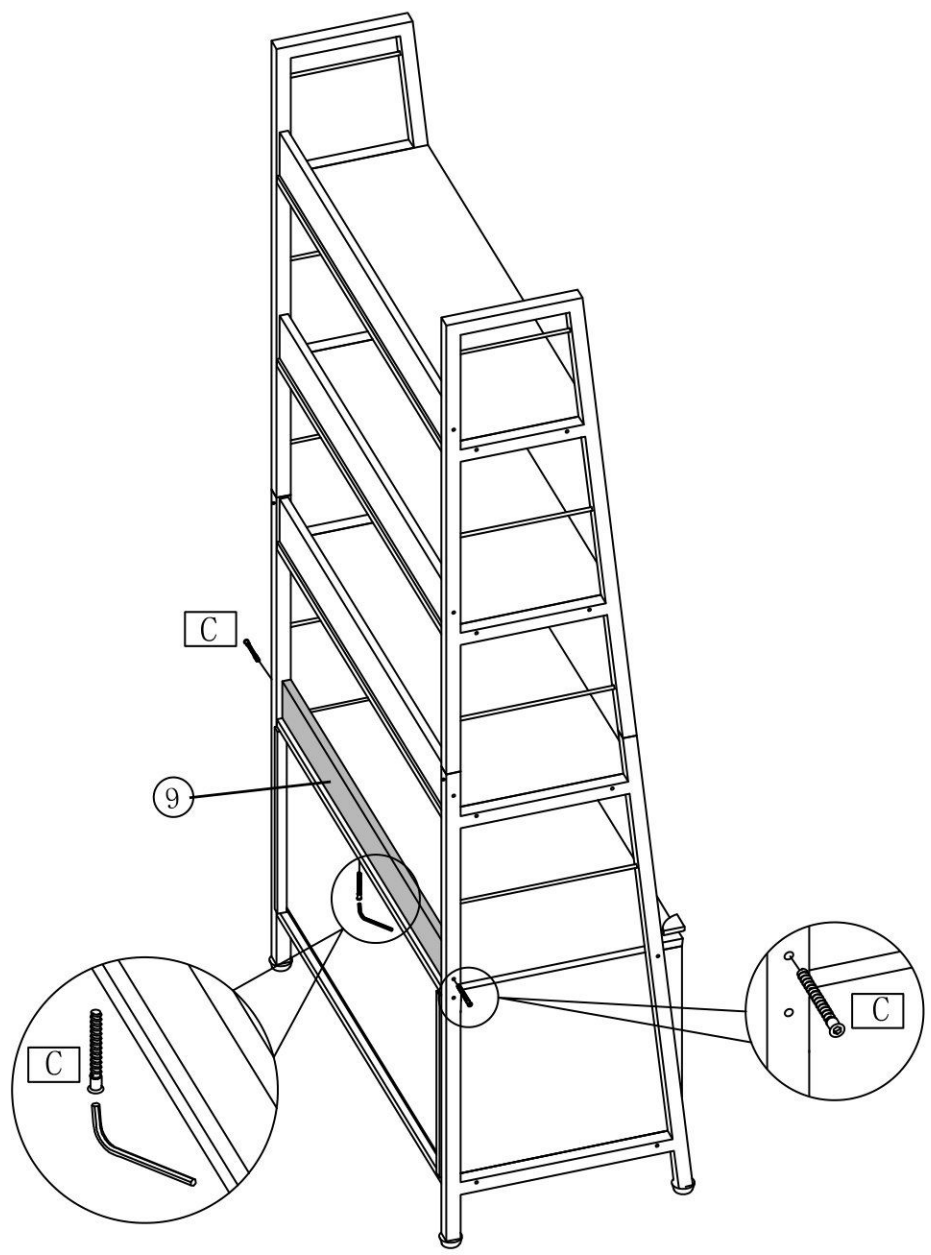


7

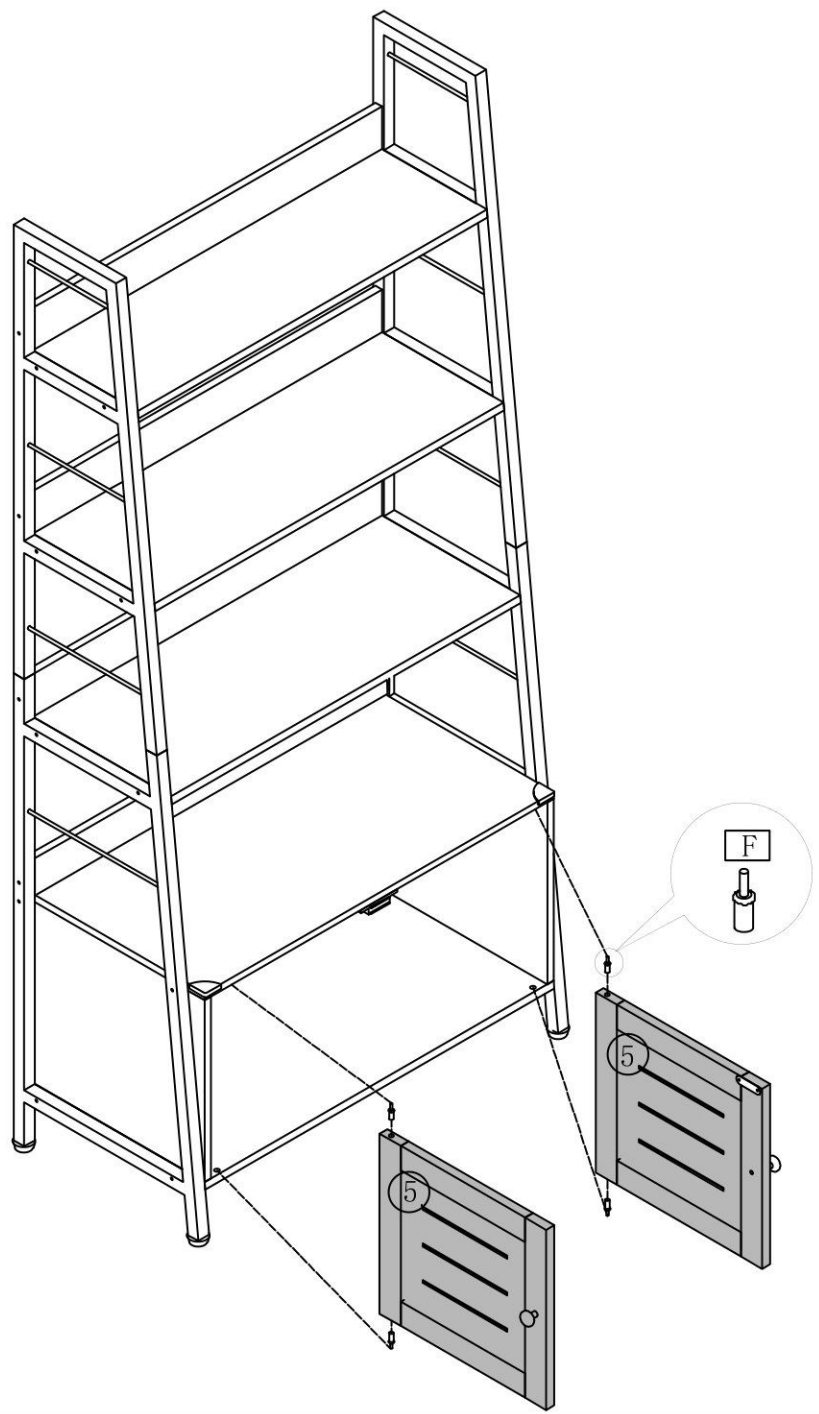
- C X 3
- 9 X 1



- F X 4
- 5 X 2

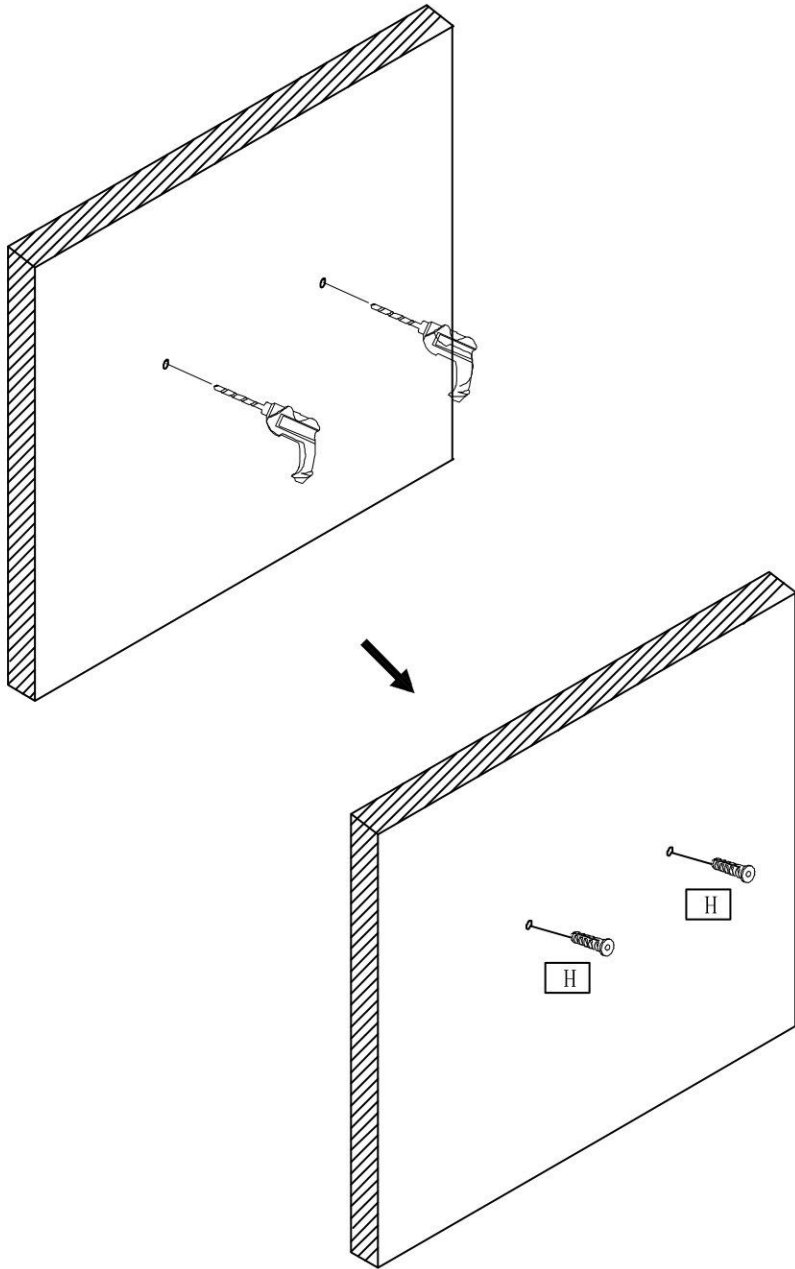


8



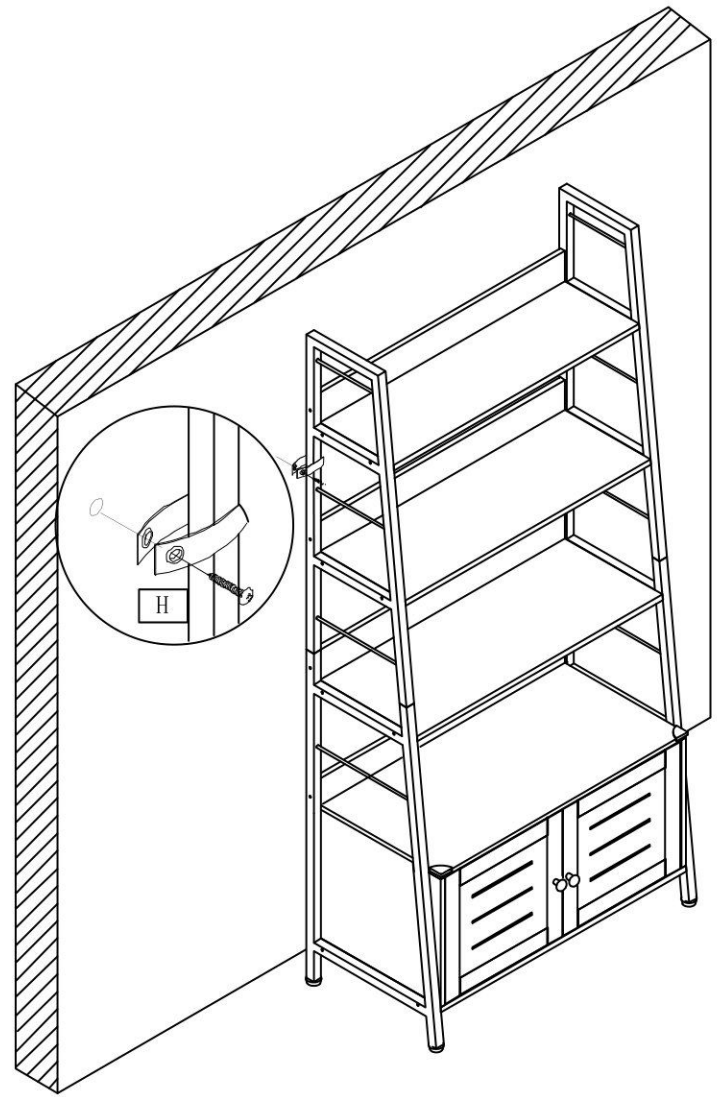
9

[H] X 2



10
7/8

[H] X 2



11

