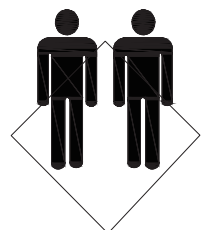
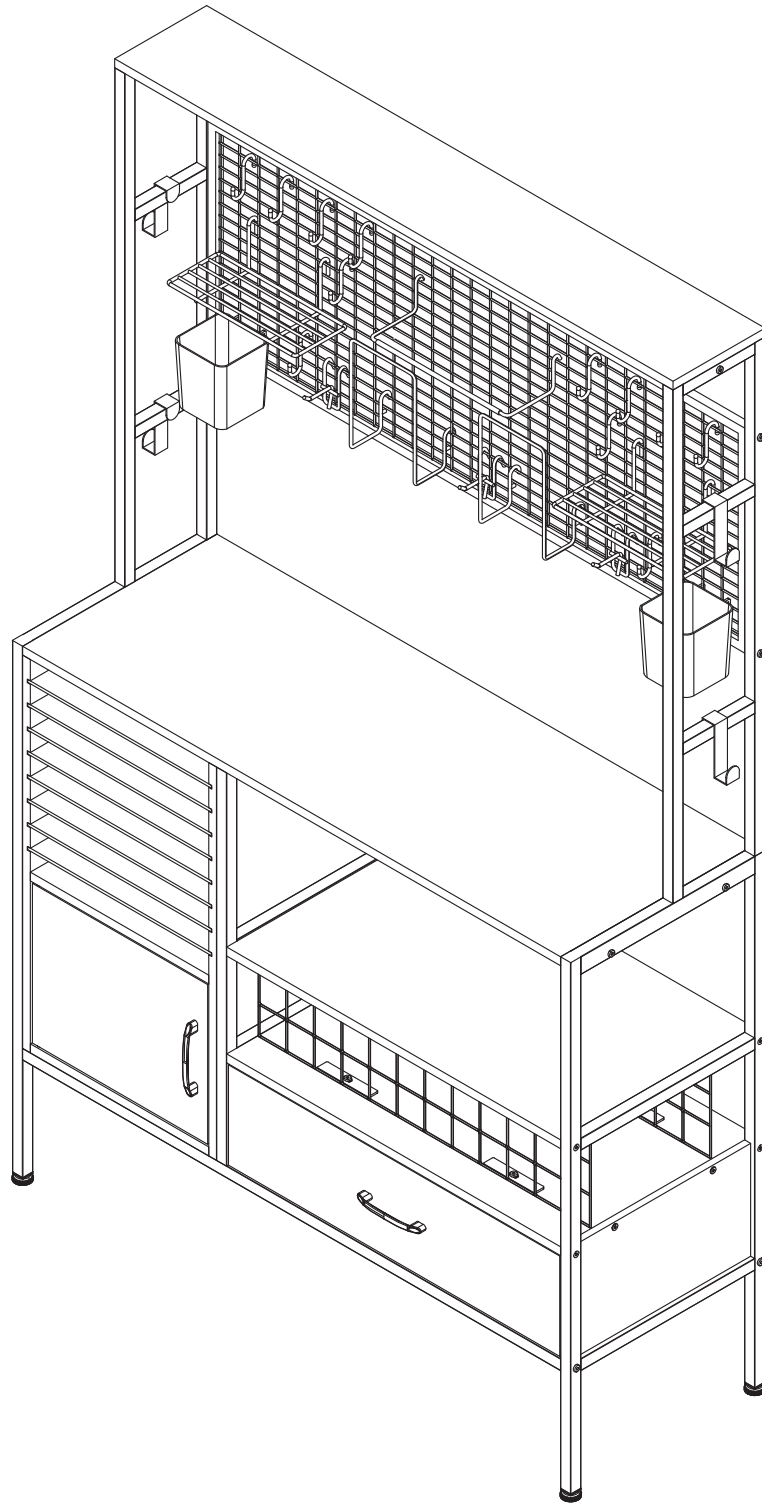


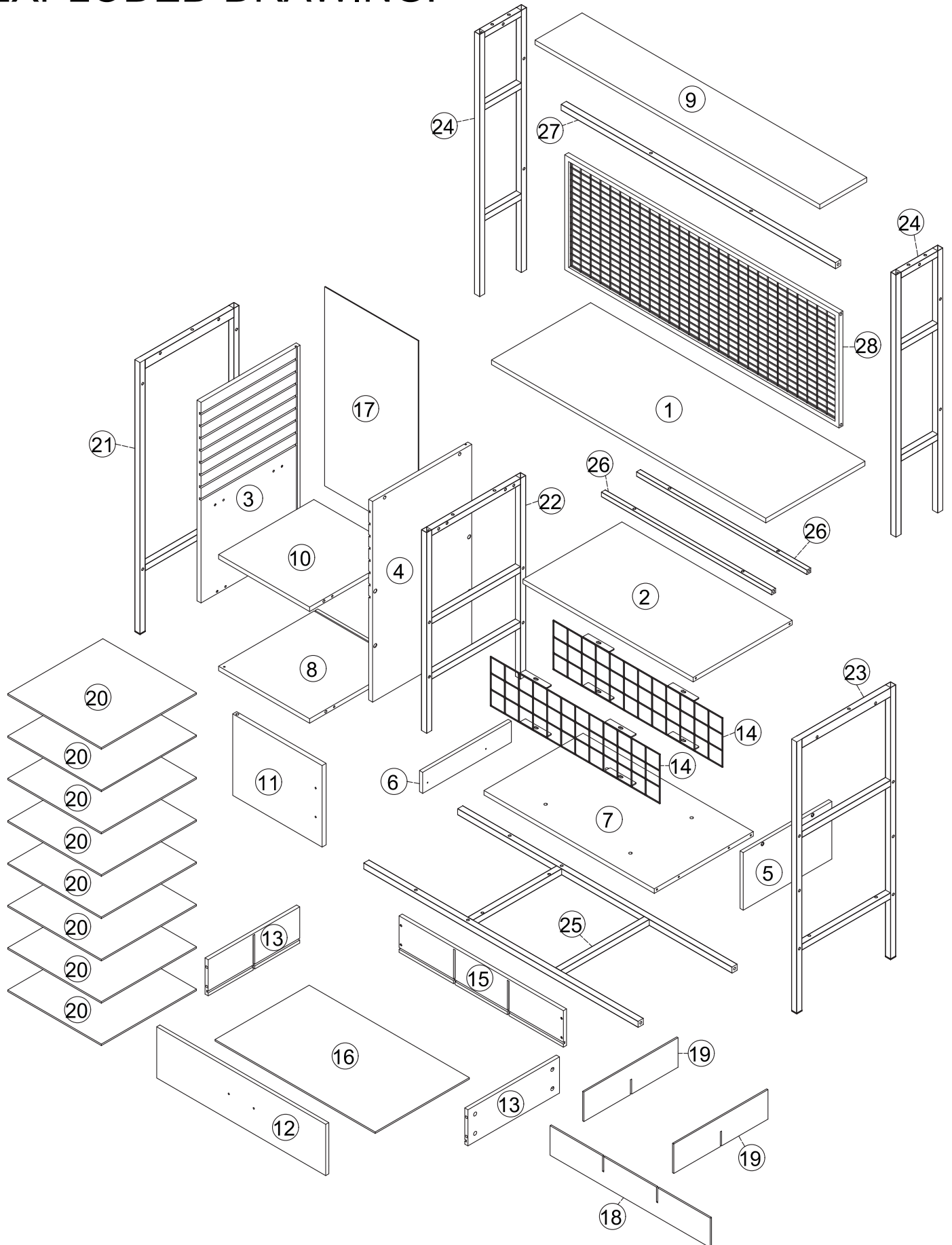
Assembly Instructions

HOU837


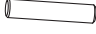

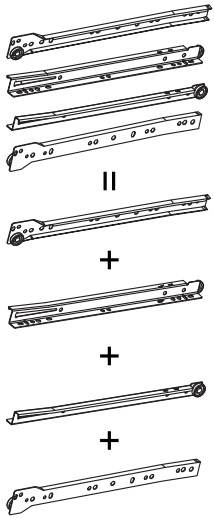





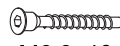









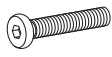
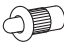

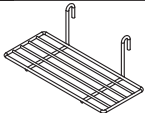




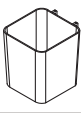
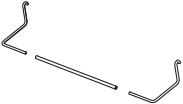


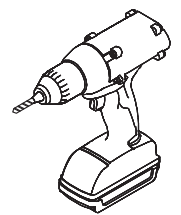
ASSEMBLED BY 2ADULTS

EXPLODED DRAWING:



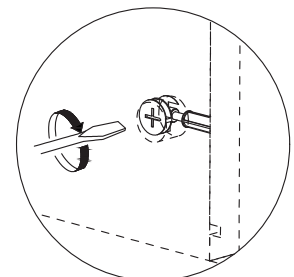
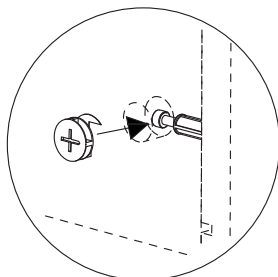
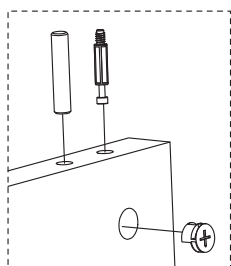
PARTS

A	X16+1	B	X8+1	C	X16+1	D	X1		
	Ø6x35		M6x30		Ø12				
E	X8+1	F	X8+1	G	X16+1				
	M4x14		M4x10						
H	X2	I	X1	J	X16+1				
					M6.3x40				
K	X4	L	X1						
			L1		L2				
M	X2			N	X12+1	O	X4	P	X14+1
	M1		M4x16mm		M6x10		M6x23		M6x28
Q	X16+1	R	X2	S	X2	T	X4	U	X2
	M6x35		M6x45						
V	X2	W	X12	X	X3	Y	X4	Z	X2
									
AA	X1								
									



REMARK:

MINIFIX POSITION



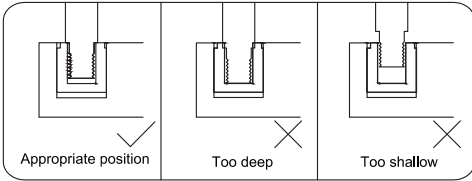
1 Tighten Bolts Ax8 flush to Part #3 and Part #4 as shown.

A X8



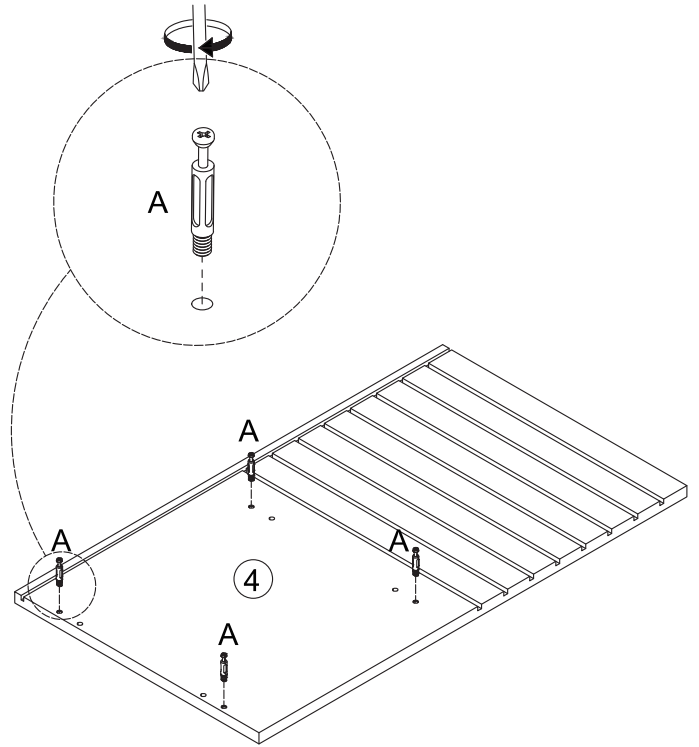
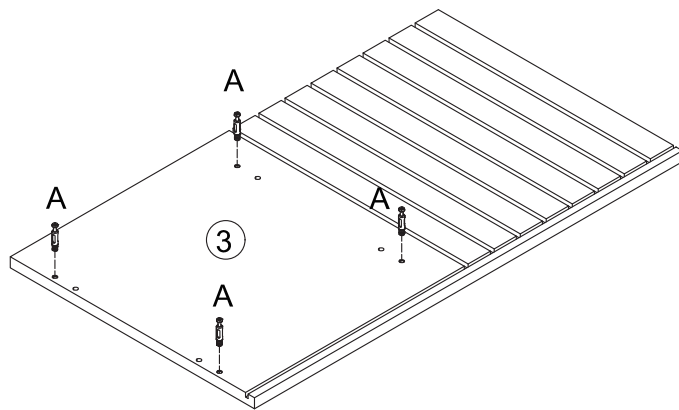
REMARK:

Please do not screw **A** too deep or too shallow.



REMARK :

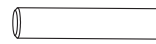
Put a blanket under the board to avoid scratch or damage.



2 Insert wood dowels Bx8 into Part #8 and Part #10. Install door catch (L1) using Screw Ex2.

B X8

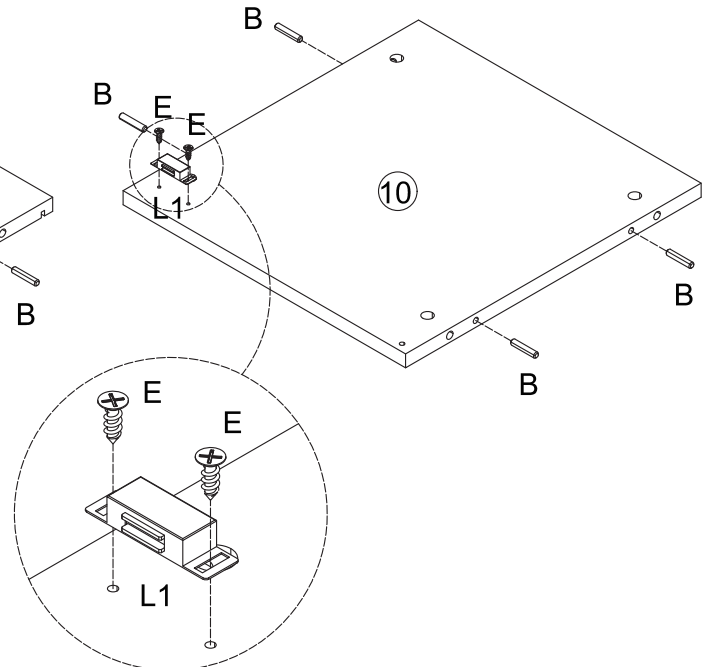
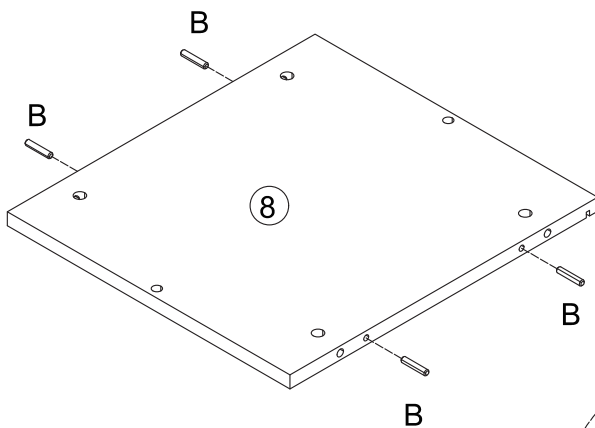
E X2



L X1



L1



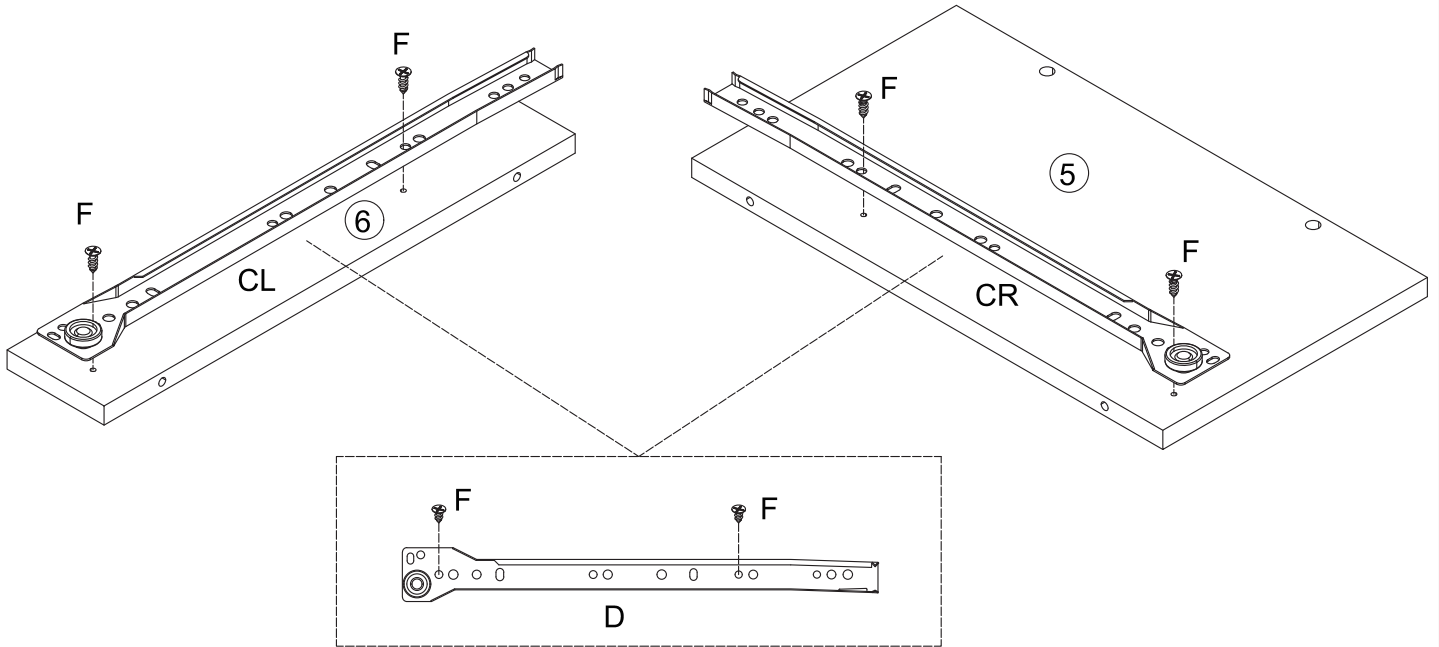
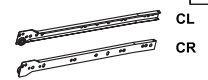
3

Double-check stamped markings (CL/CR) on rails to ensure correct orientation. As shown in the illustration, align the holes and use Screws Fx2 to fasten Part #6 to slide CL, and use Screws Fx2 to fasten Part #5 to slide CR.

F X4



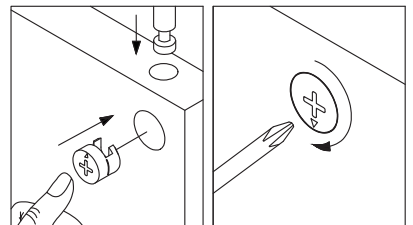
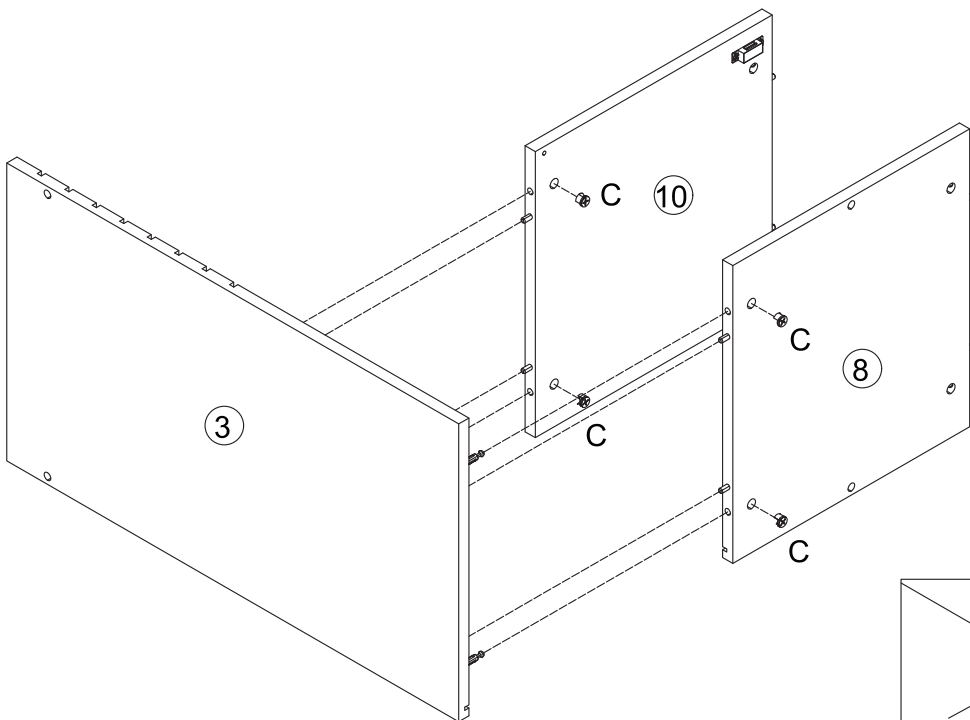
D X1



4

Connect the Part #3, Part #8 and Part# 10 as shown and Connector Nut Cx4-Turn Connector Nuts to lock into place with bolts to tighten.

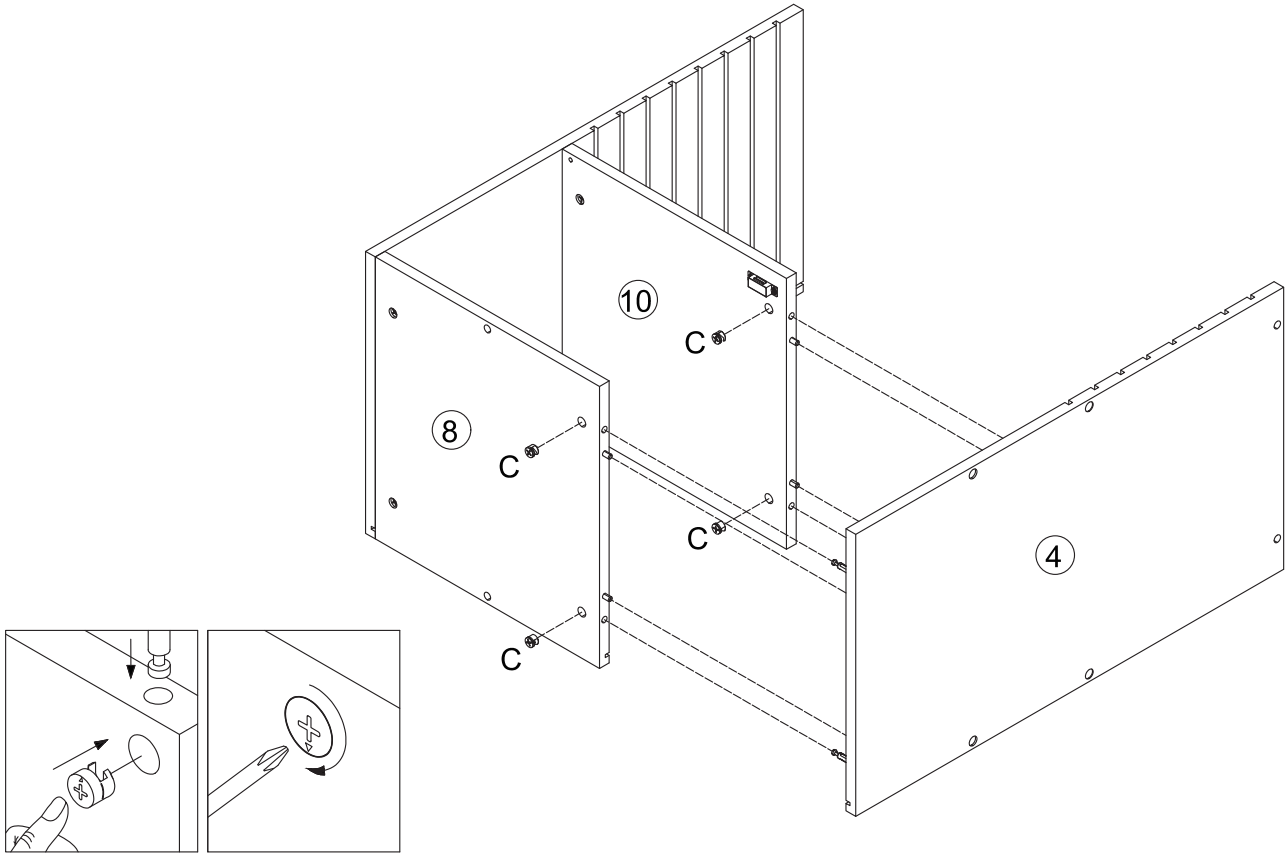
C X4



5

Connect the Part #4, Part #8 and Part# 10 as shown and Connector Nut Cx4-Turn Connector Nuts to lock into place with bolts to tighten.

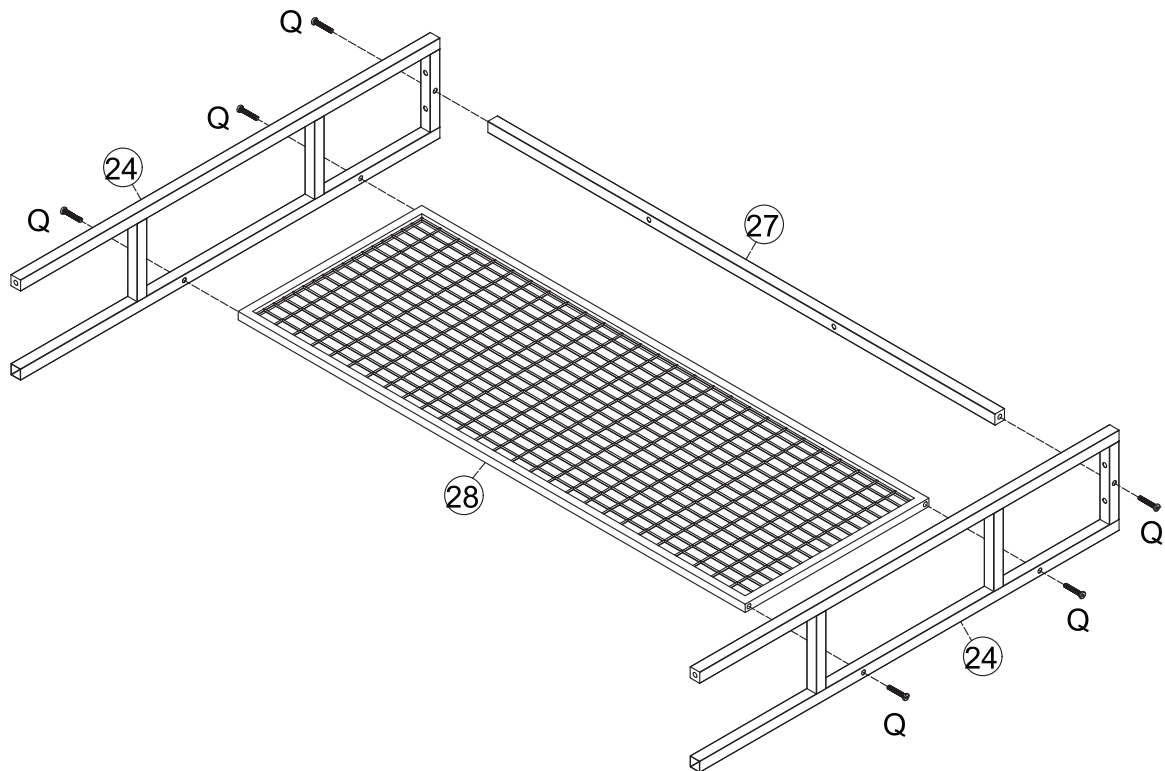
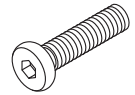
C X4



6

Attach Part #24, Part #27 and Part #28 using Screws Qx6.

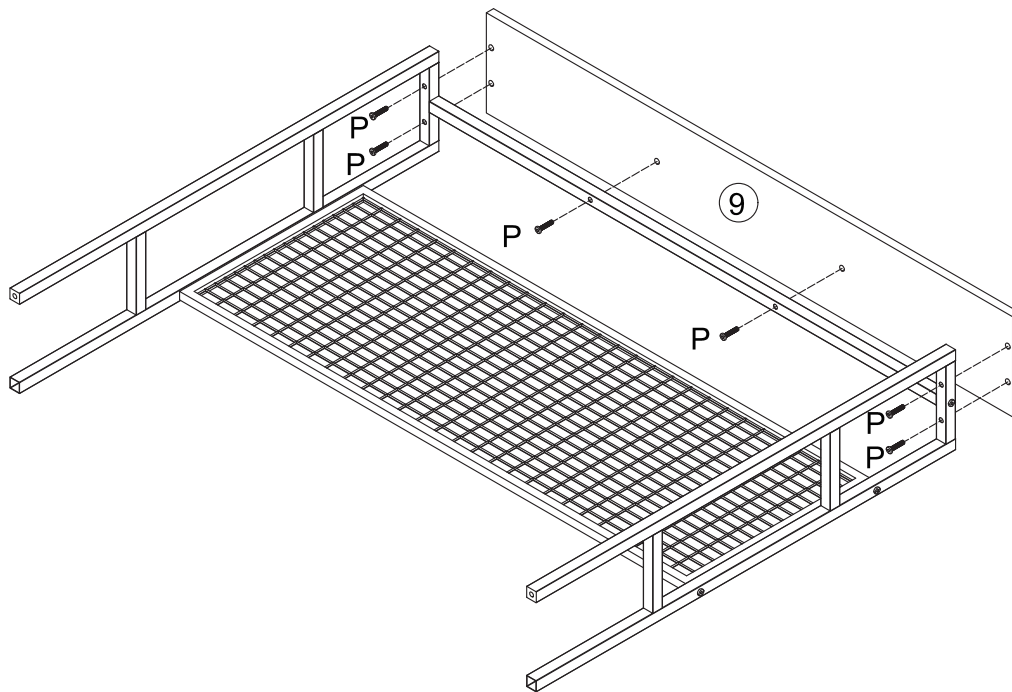
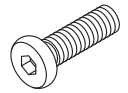
Q X6



7

Attach Part #9 and assembled unit using Screws Px6.

P X6



8

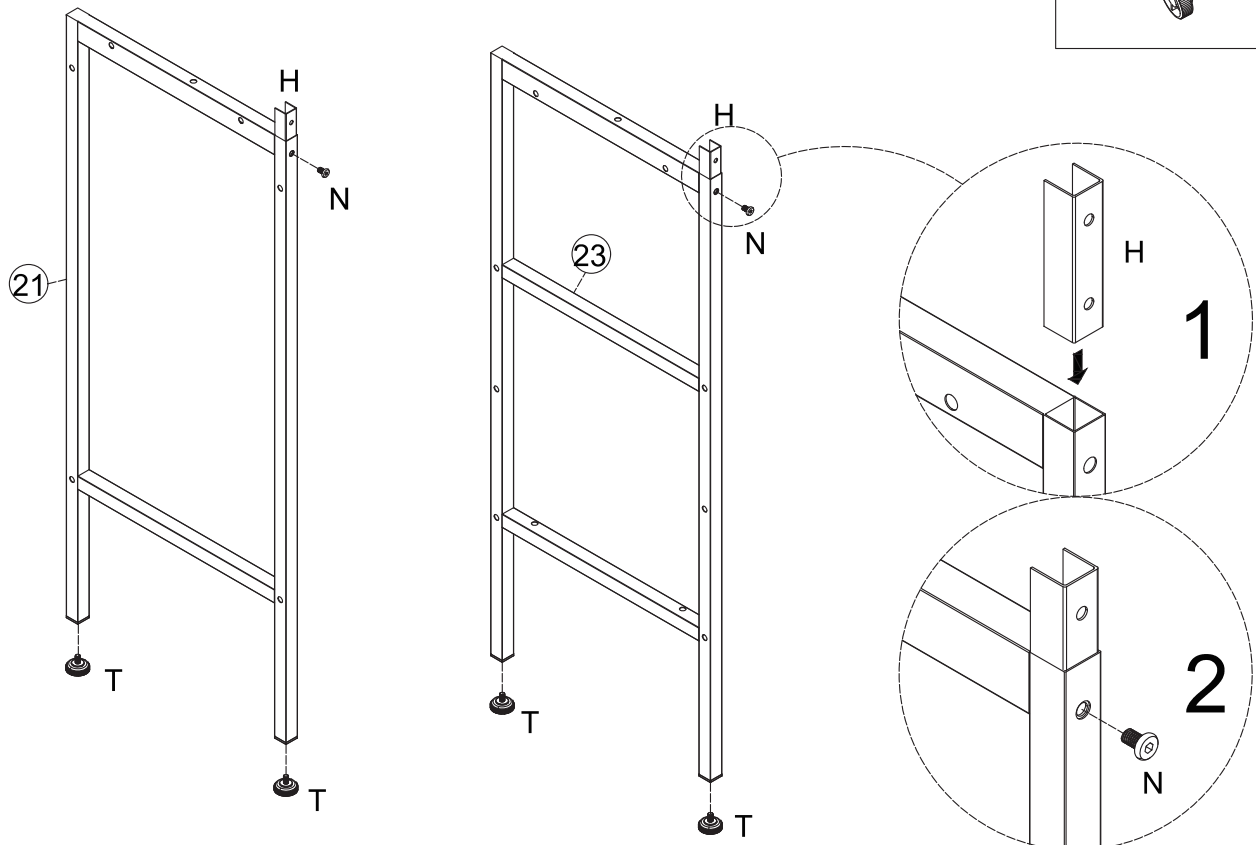
Attach Part #H, Part #21 and Part #23 using Screws Nx2. Screw the adjustable foot T x4 to the bottom of the Metal Legs Parts #21 and Part #23.

H X2

N X2



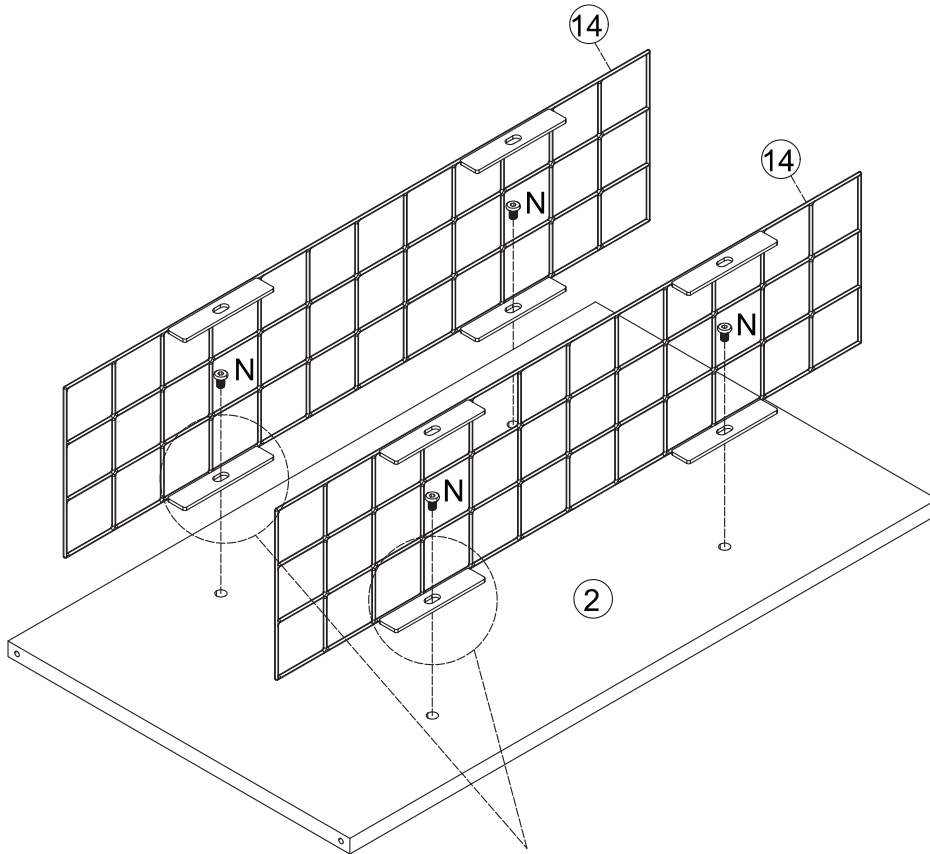
T X4



9

Attach Part #2 and Part #14 using Screws Nx4.

N X4

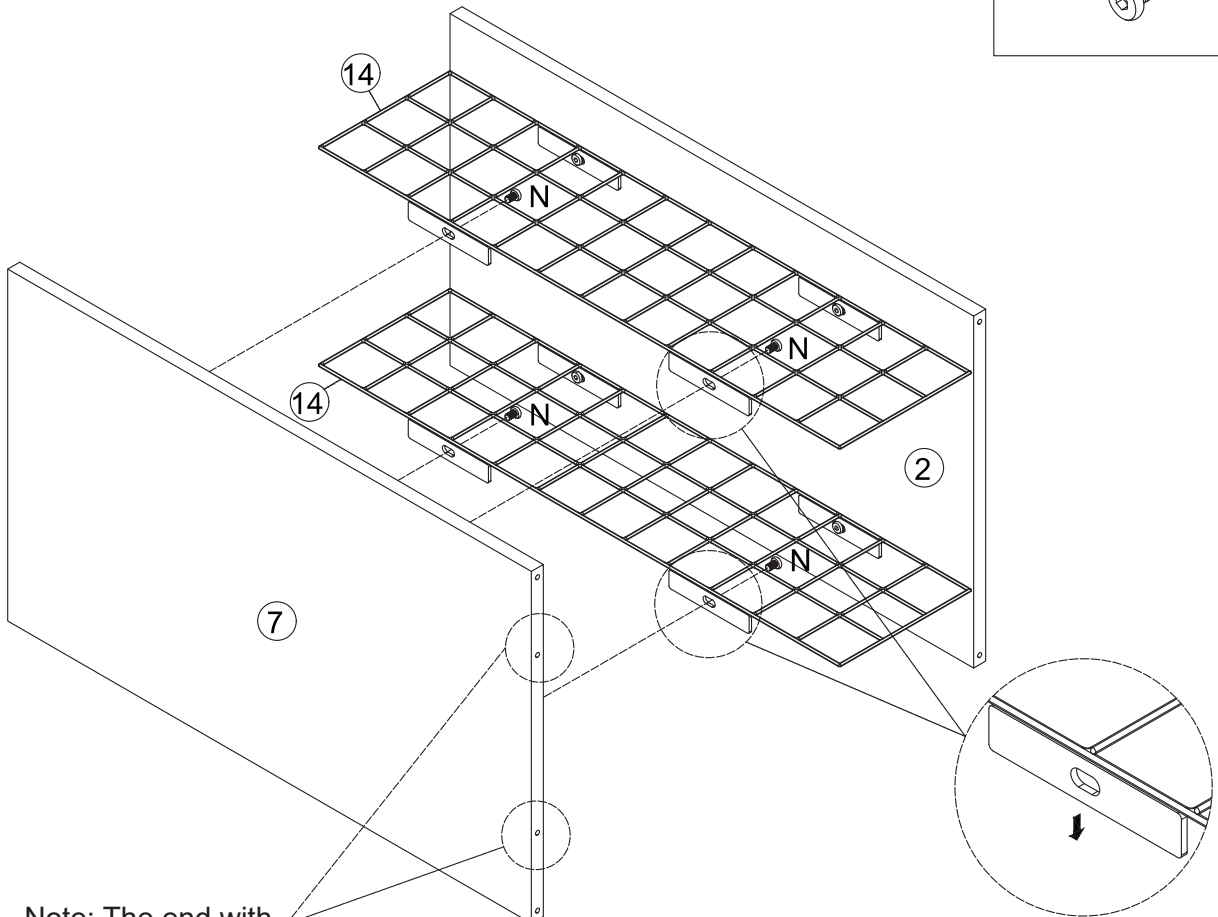


Note: The installation direction should be in the same direction.

10

Attach Part #7 and Part #14 using Screws Nx4.

N X4



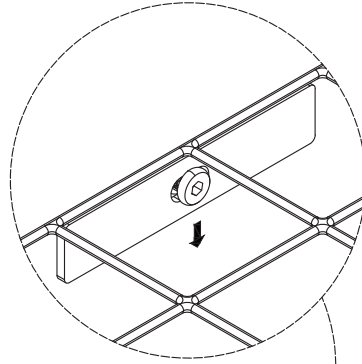
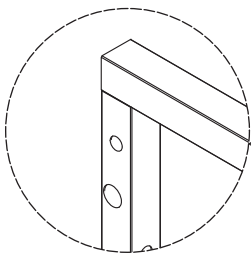
Note: The end with 4 holes should face to the right.

Note: The direction is downward.

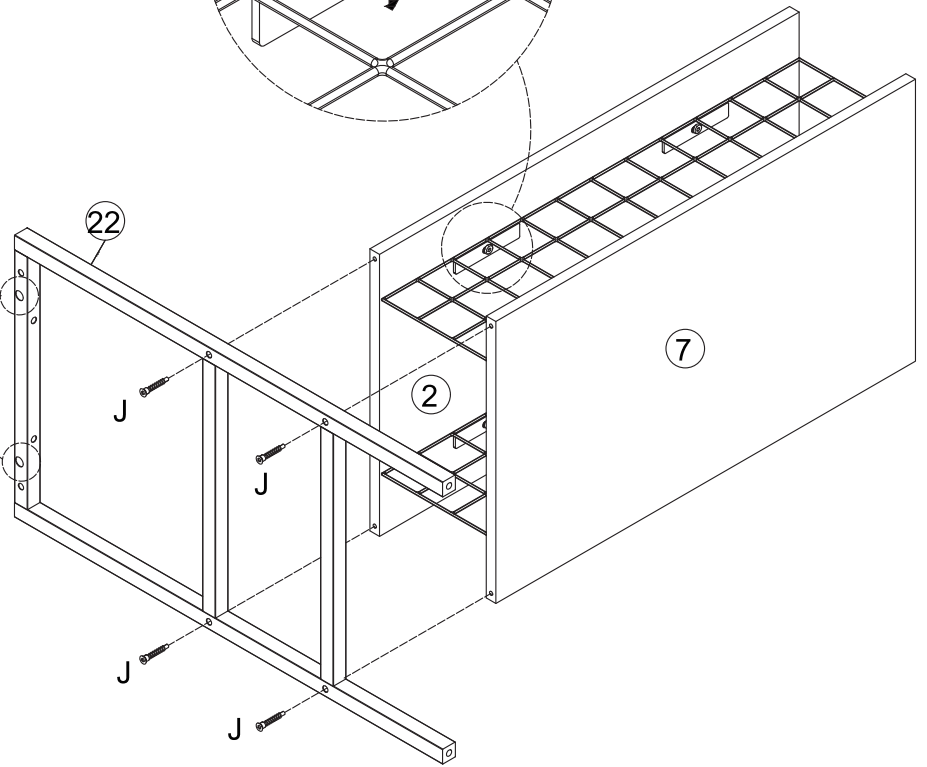
11

Attach Part #2, Part #7 and Part #22 using Screws Jx4.

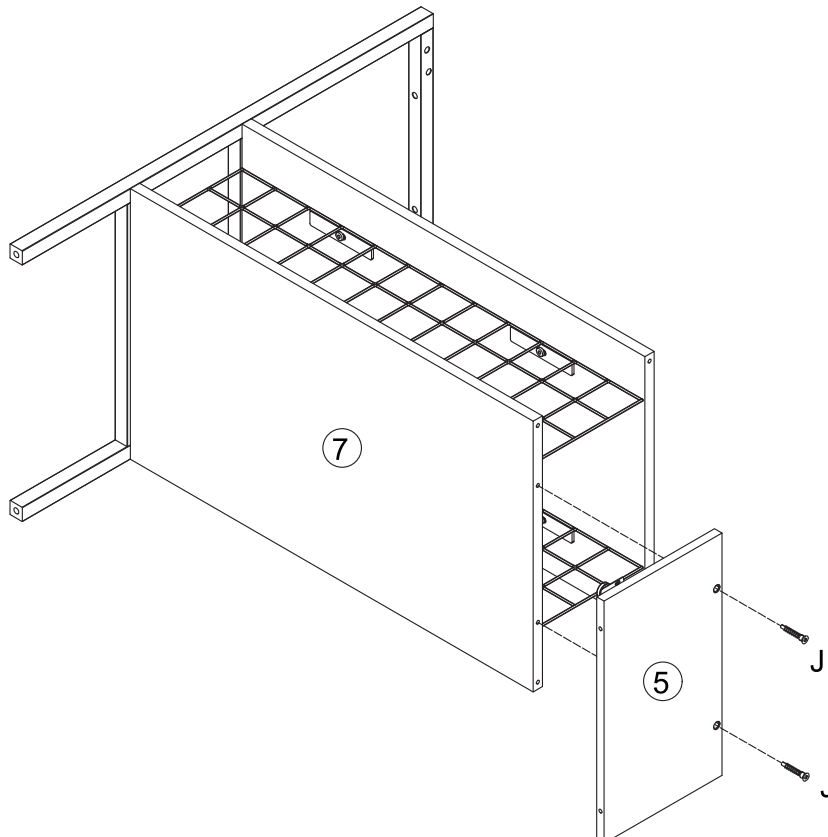
Note: The direction is downward.

J X4

Pay attention to the left/right orientation of Part #22. As shown in the diagram, the side with one large hole and one small hole faces left

**12**

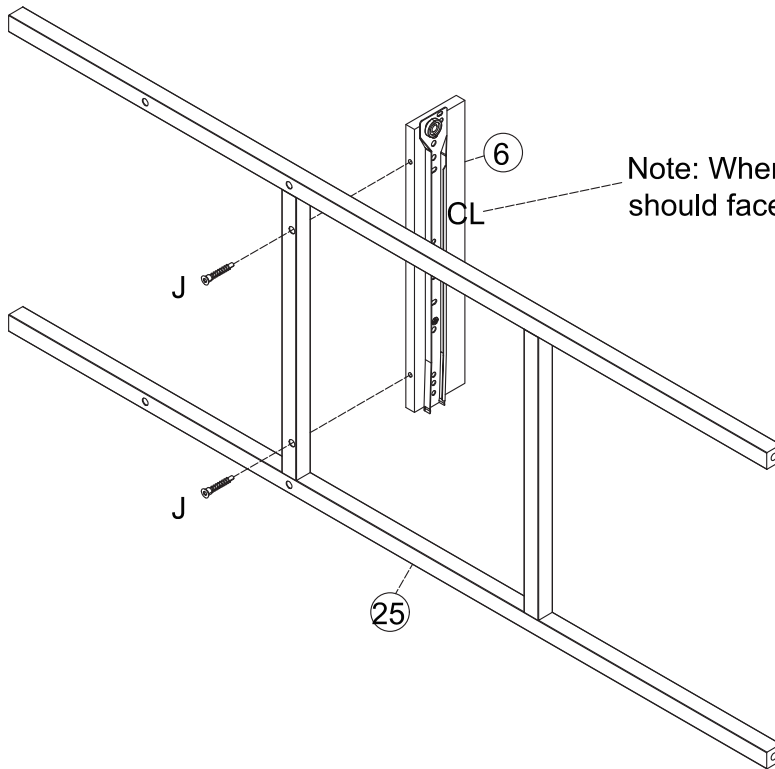
Attach Part #5, Part #7 using Screws Jx2.

J X2

13

Attach Part #25 and Part #6 using Screws Jx2.

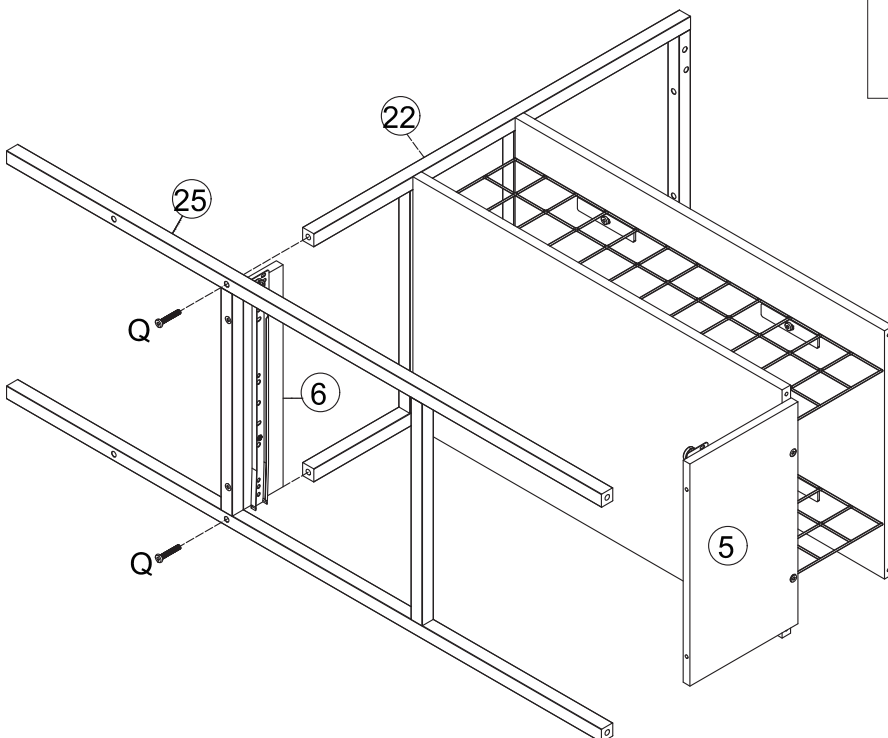
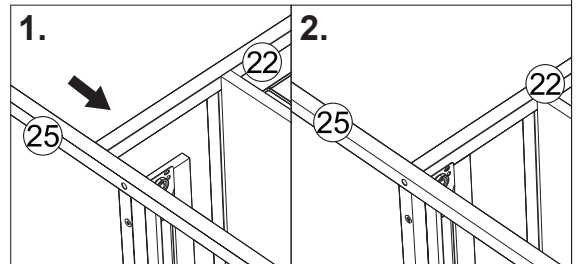
J X2



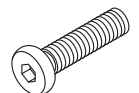
Note: When installing, the accessories should face this direction.

14

Slide Part #6 horizontally into the middle of Part #22 as shown. Attach Part #25 and Part #22 using Screws Qx2.



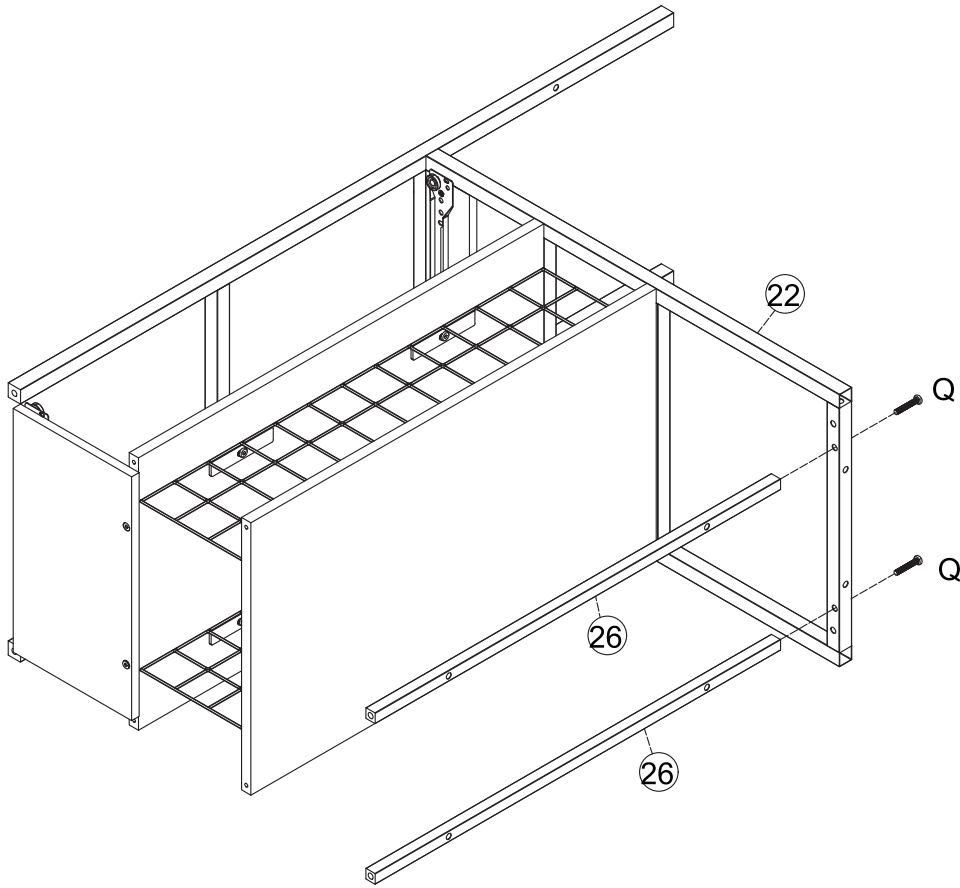
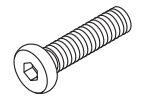
Q X2



15

Attach Part #22 and Parts #26 x2 using Screws Qx2.

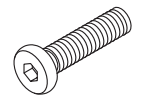
Q X2



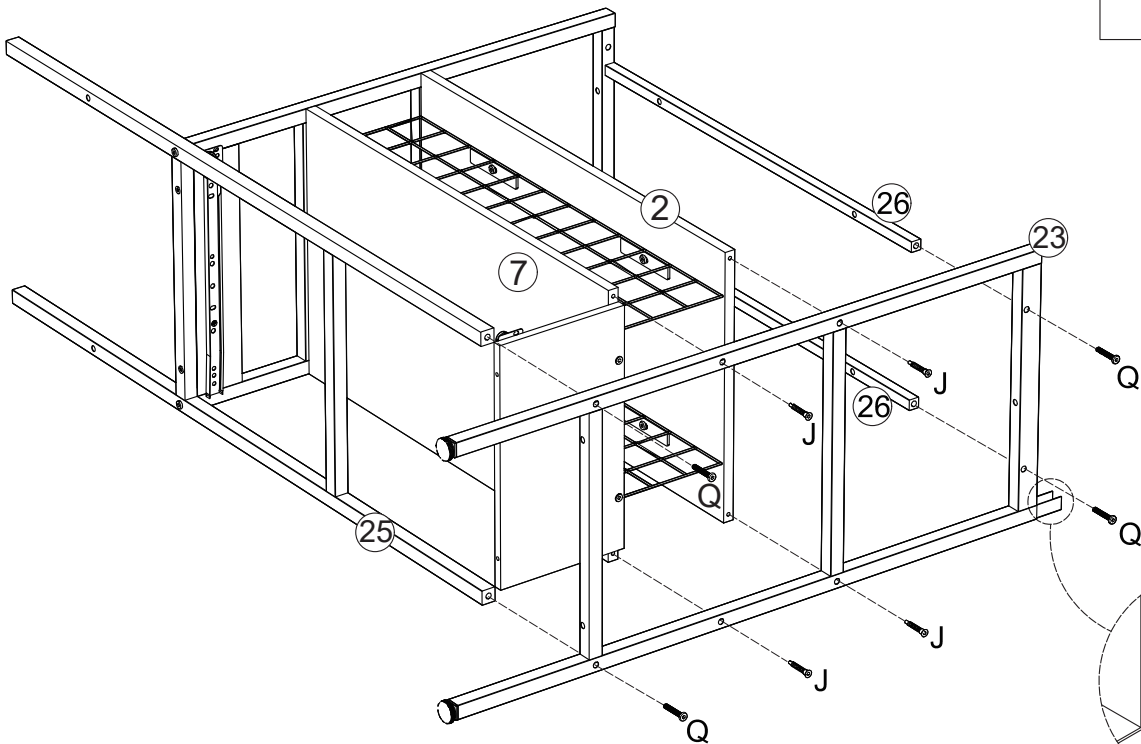
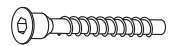
16

Attach Part #23 and assembled unit using Screws Jx4 and Screws Qx4.

Q X4



J X4

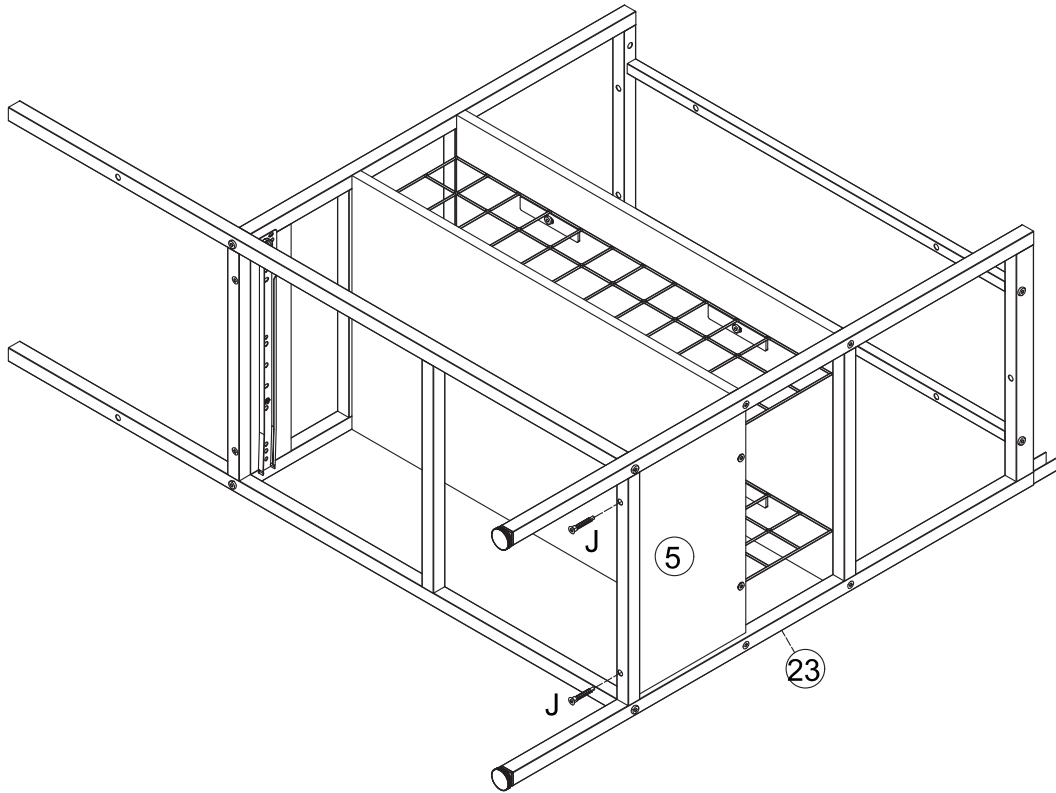


Note: When installing, accessory H is at the bottom.

17

Attach Part #5 and Part #23 using Screws Jx2.

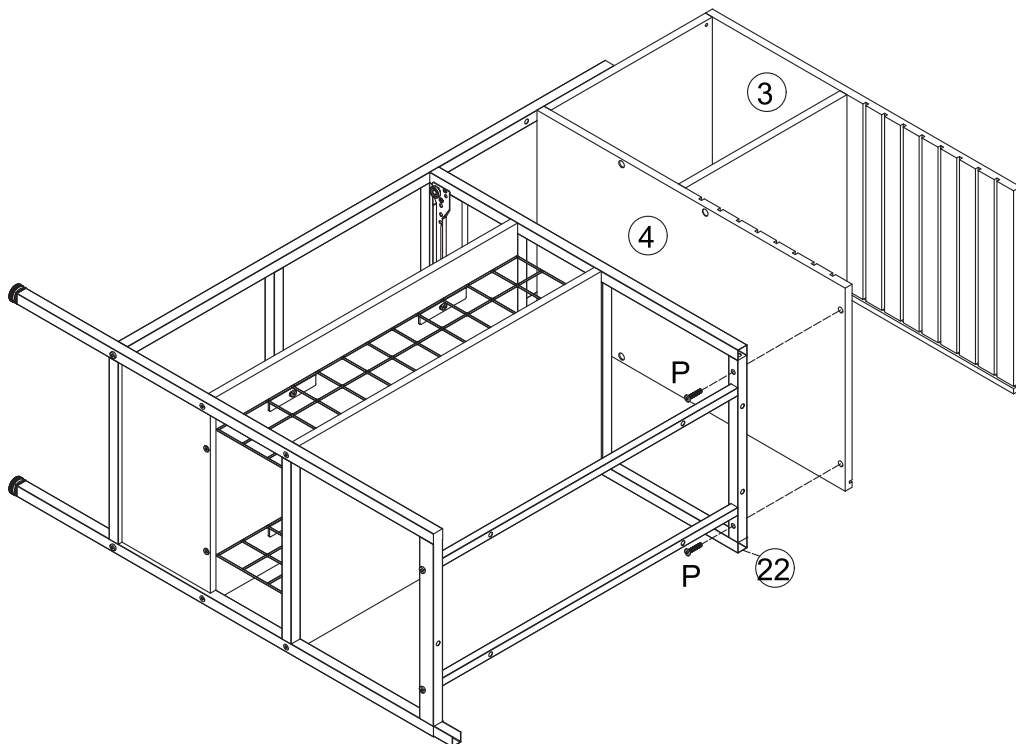
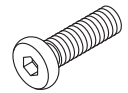
J X2



18

Attach Part #4 and Part #22 using Screws Px2.

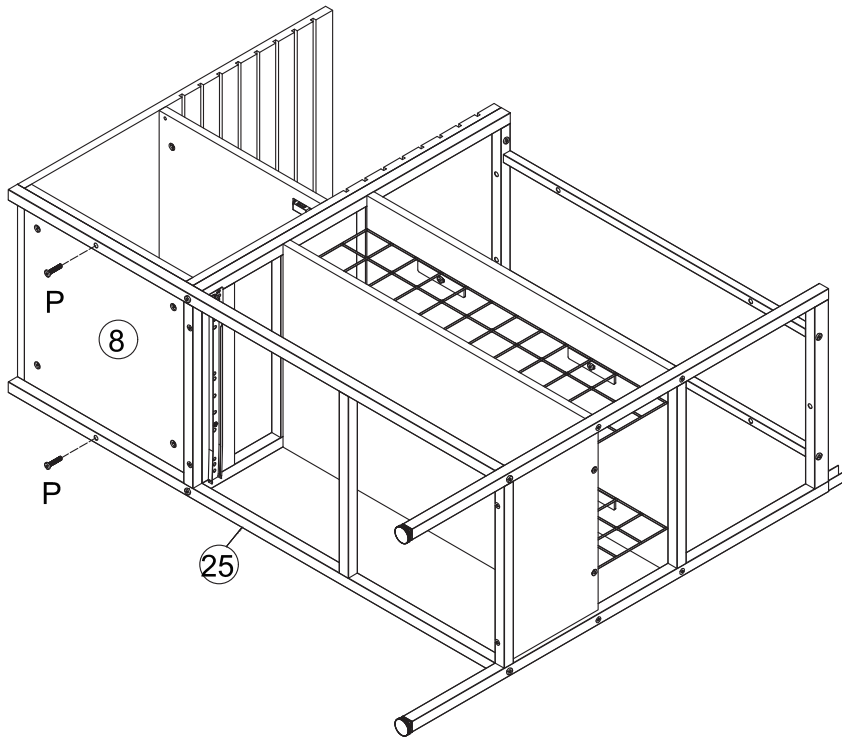
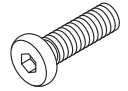
P X2



19

Attach Part #8 and Part #25 using Screws Px2.

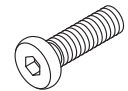
P X2



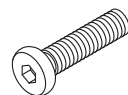
20

Attach Part #3 and Part #21 using Screws Px2 and Screws Qx2.

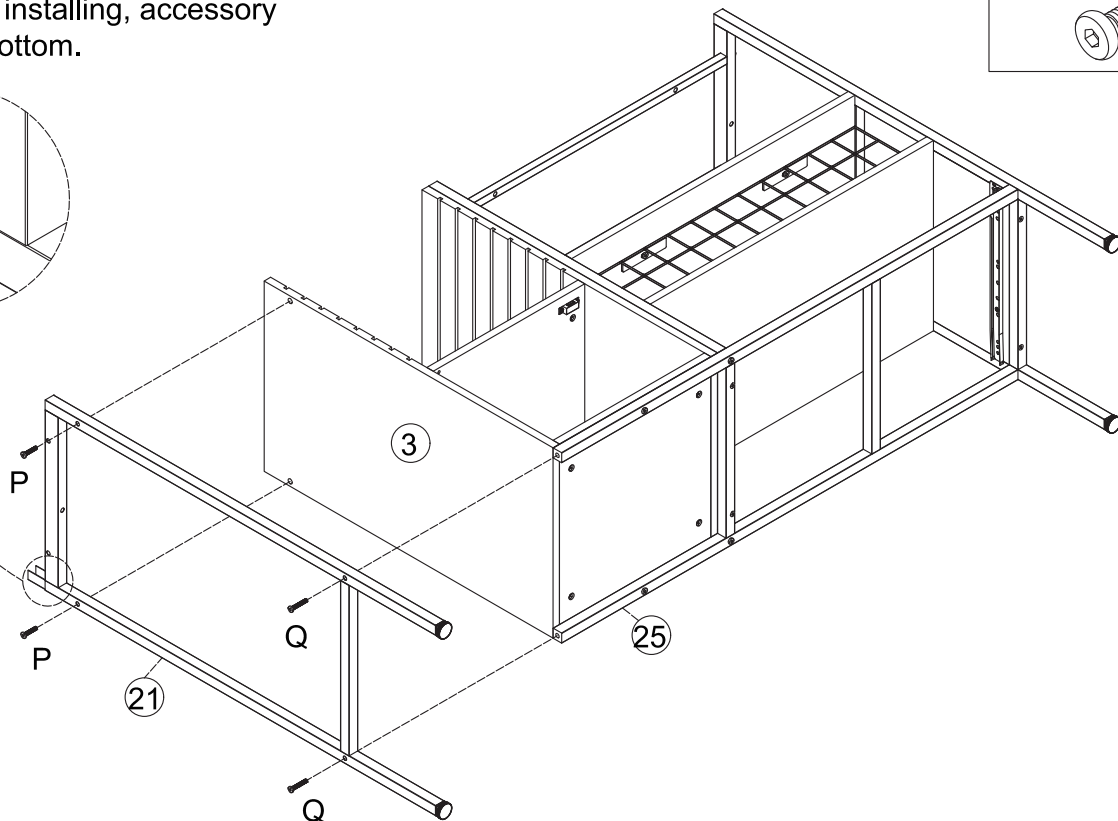
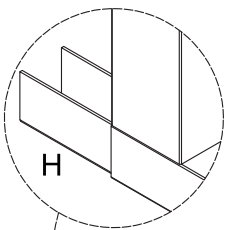
P X2



Q X2

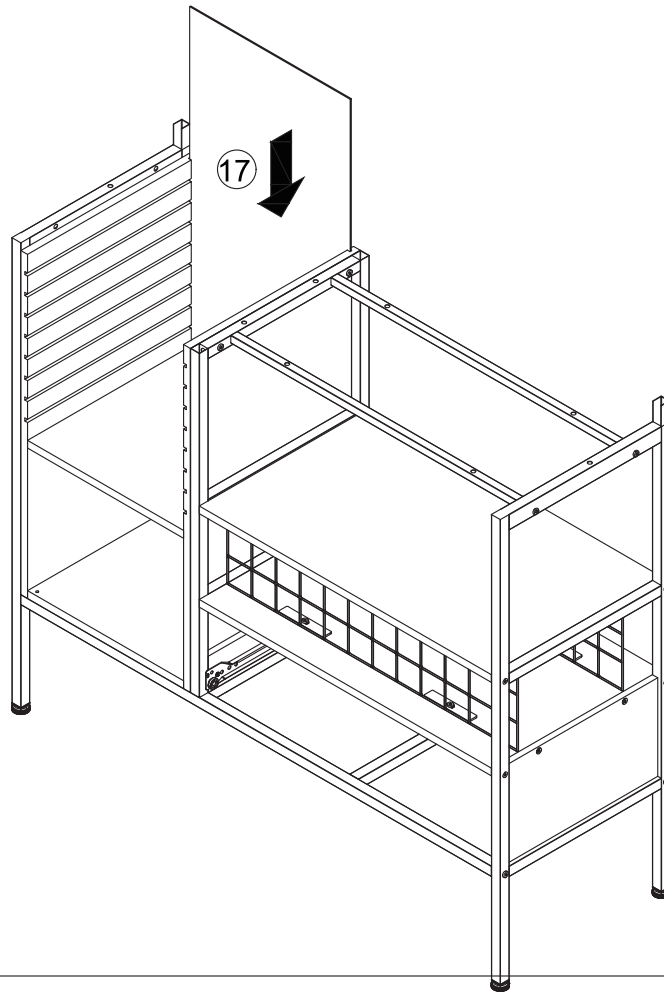


Note: When installing, accessory H is at the bottom.



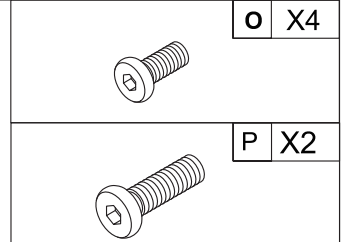
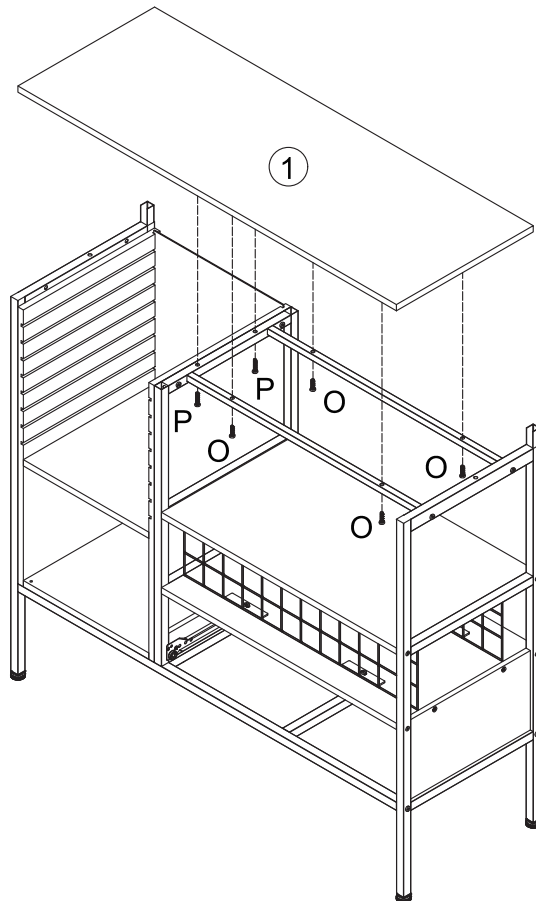
21

Insert Part #17 into grooves as shown.



22

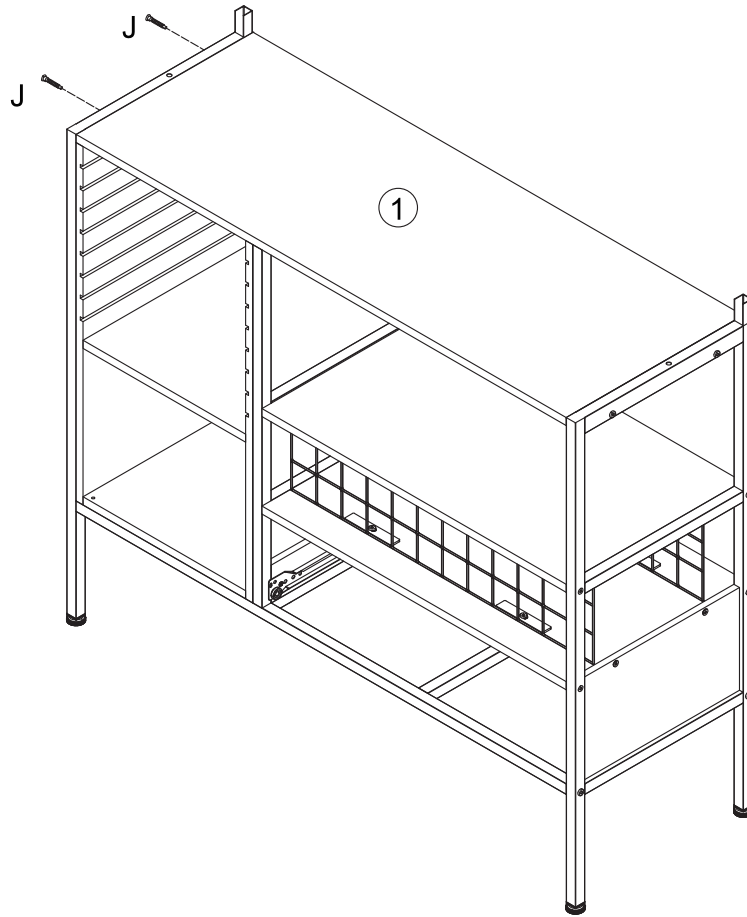
Attach Part #1 and assembled unit using Screws Ox4 and Screws Px2.



23

Lock the side of the cabinet with Screws Jx2.

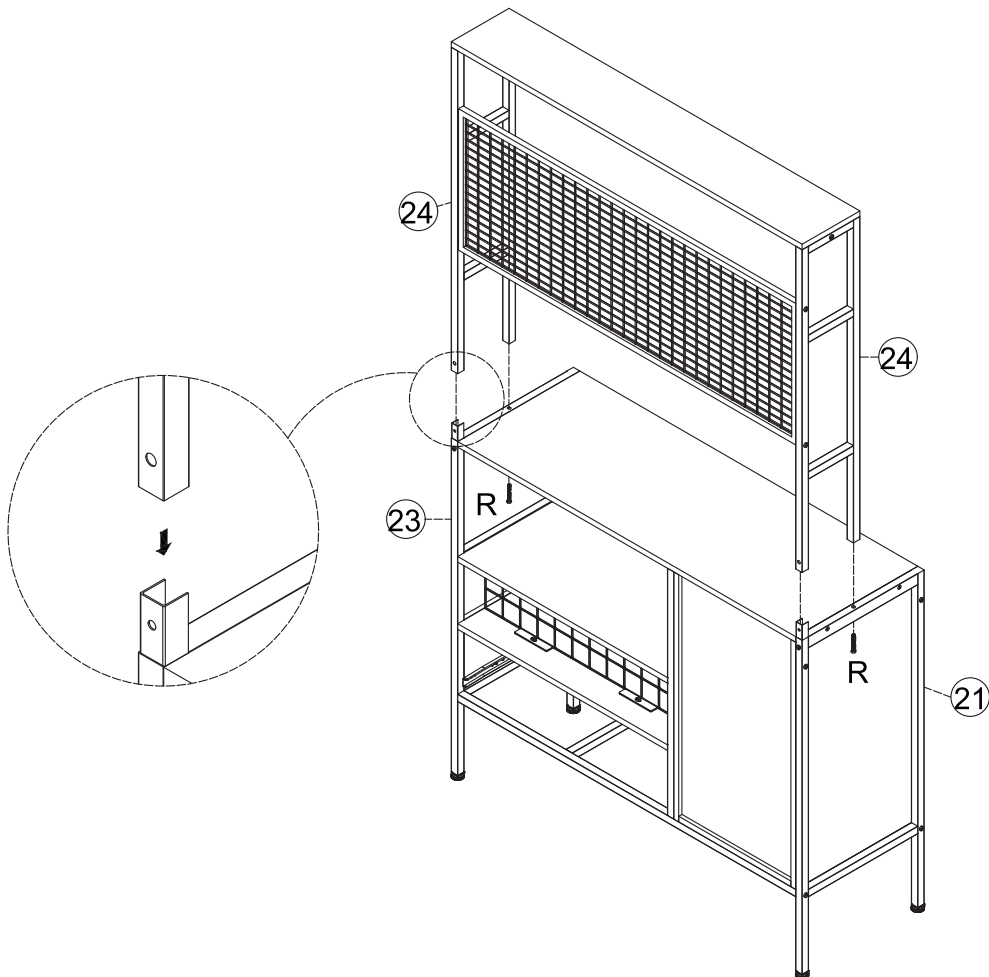
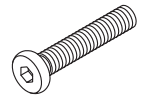
J X2



24

Attach two assembled units using Screws Rx2.

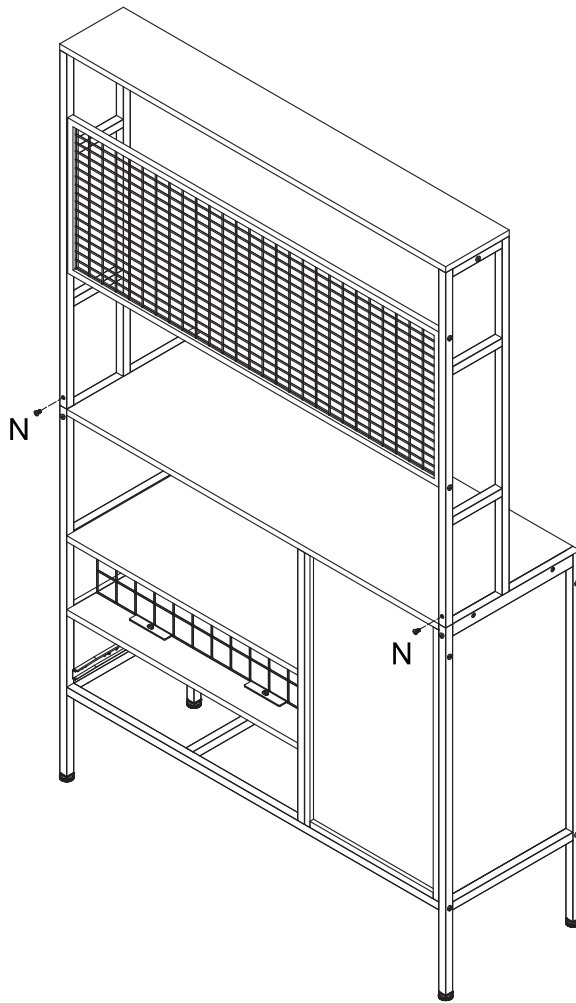
R X2



25

Secure the bracket connection with Screws Nx2.

N X2



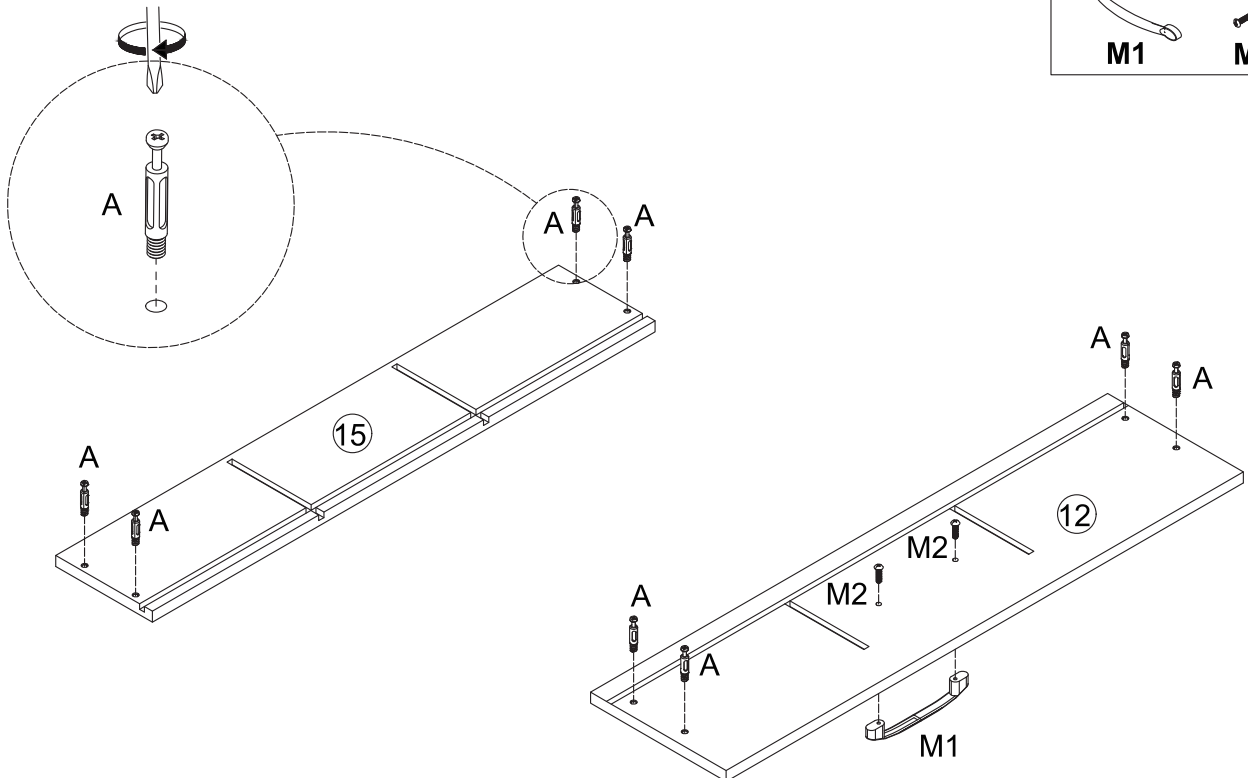
26

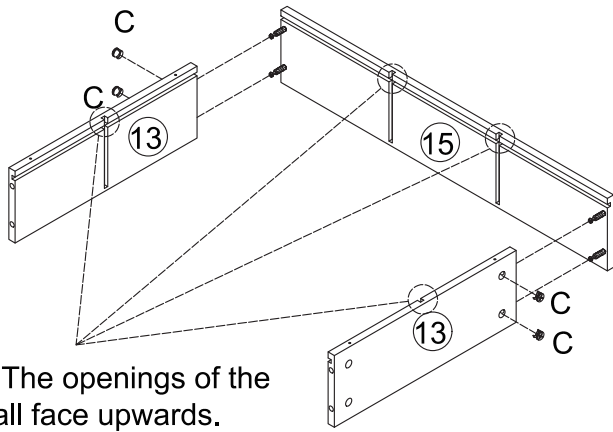
Tighten Bolts Ax8 flush to Part #12 and Part #15 as shown. Install Door Knob M1 on Parts #12 using Screws (M2)x2.

A X8

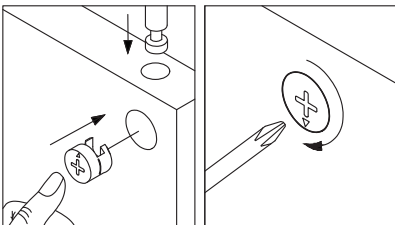
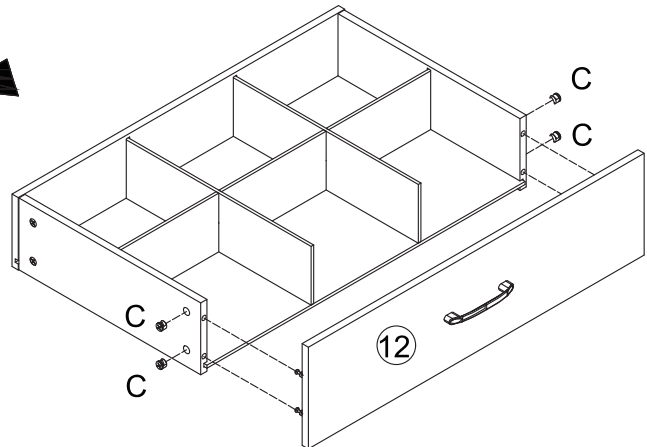
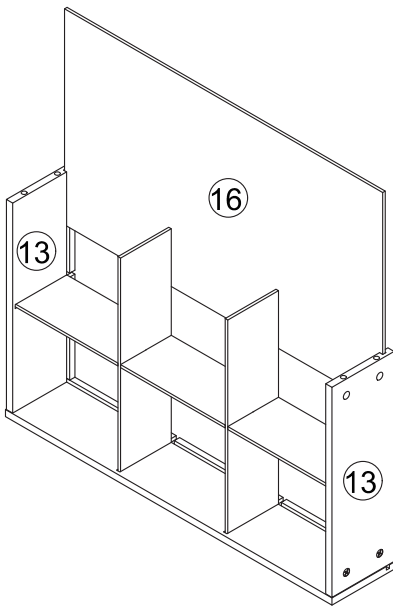
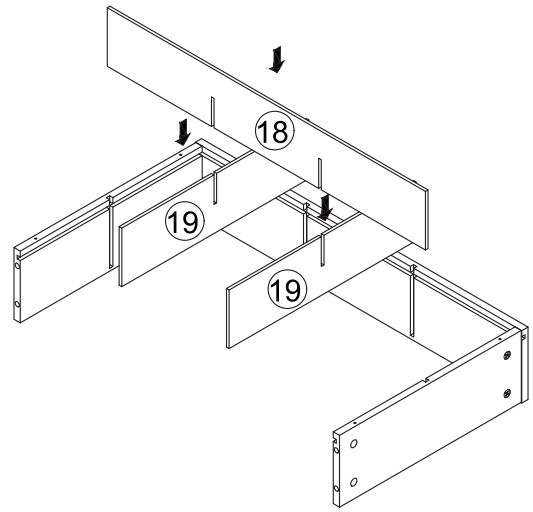


M X1



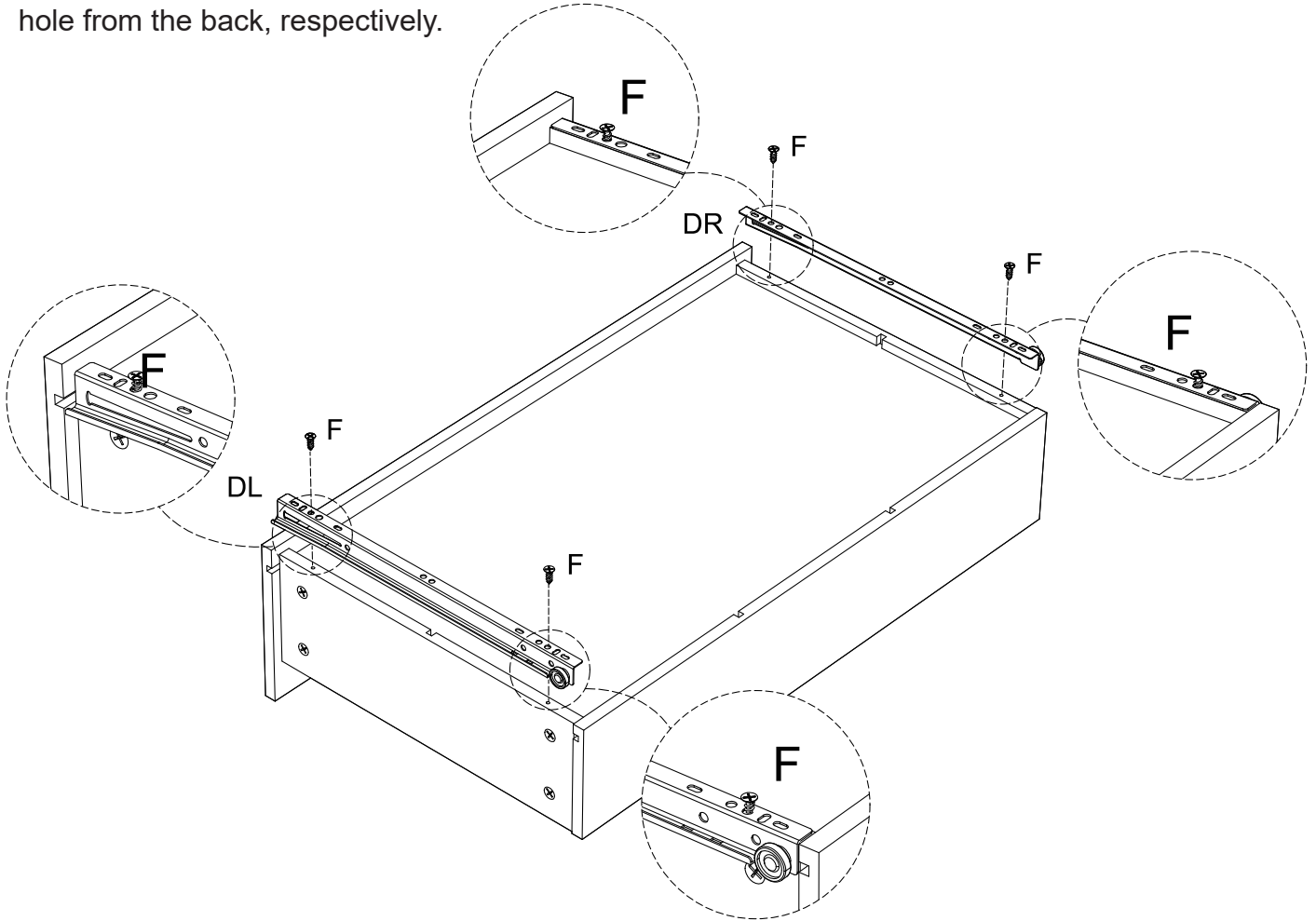
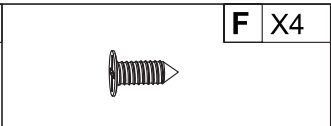
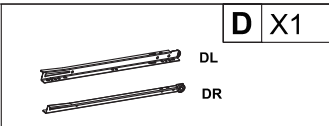


Note: The openings of the slots all face upwards.



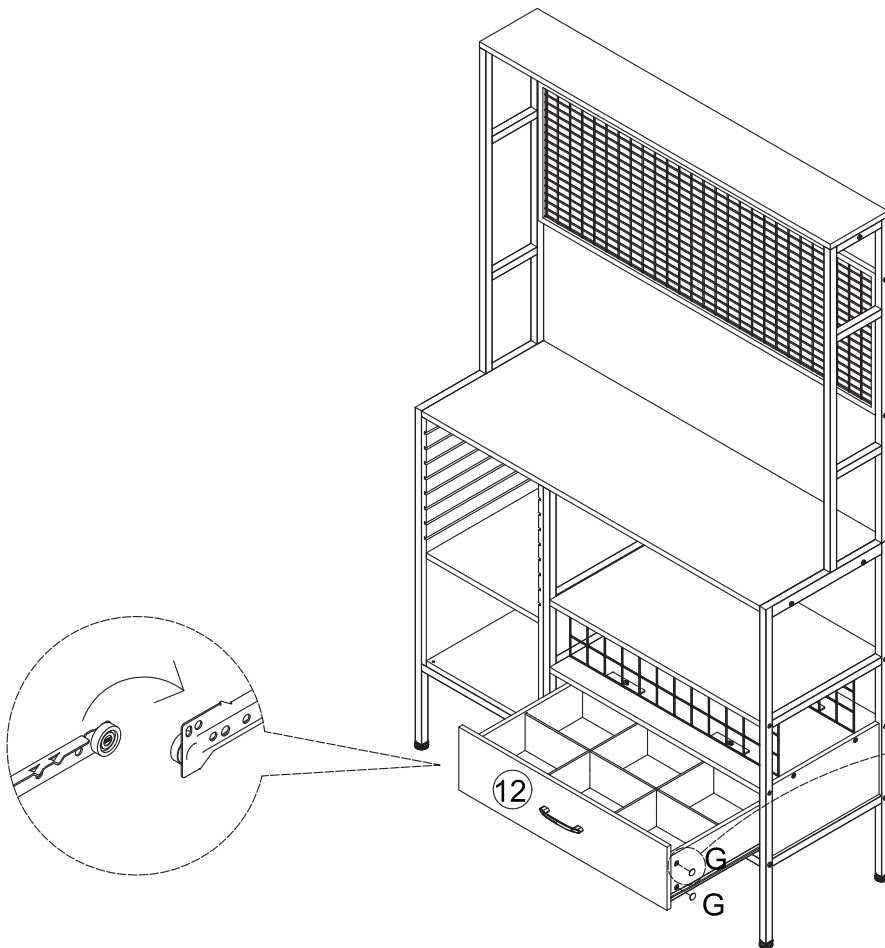
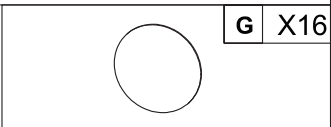
28

As shown in the image, attach drawer slides DL and DR to the bottom of the drawer. Please pay attention to the direction of the slides. Use screws F to secure them in the third hole from the front and the third hole from the back, respectively.

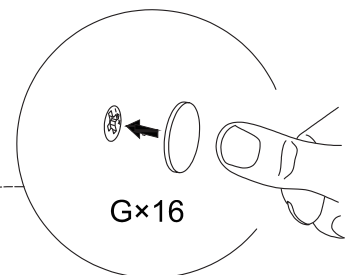


29

Align the slides and insert the drawer.

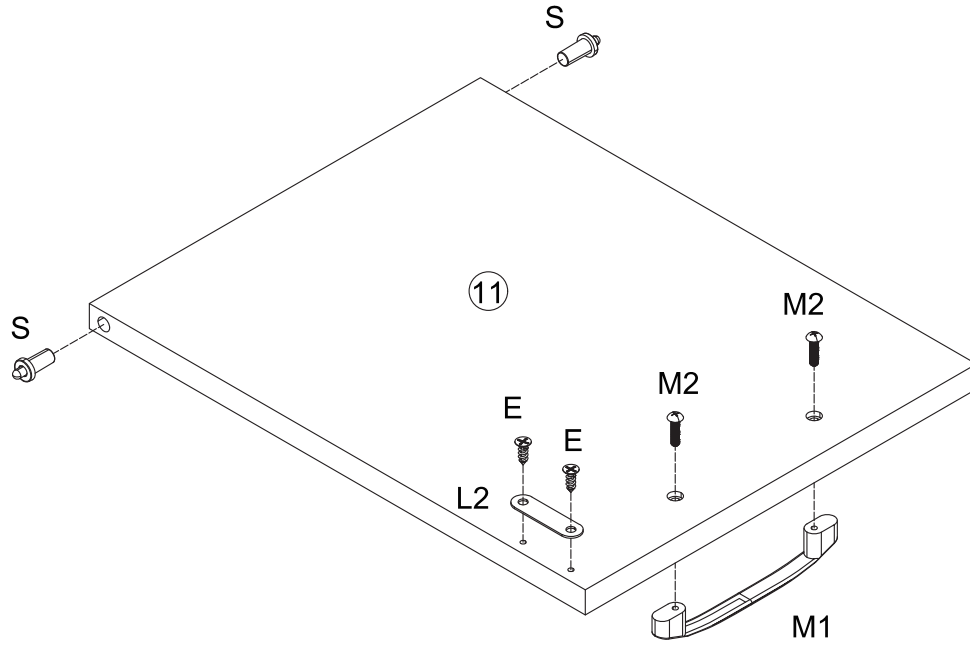




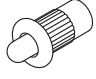


Using Cover-up Sticker (G)*16 to cover the exposed part of Screws.



30

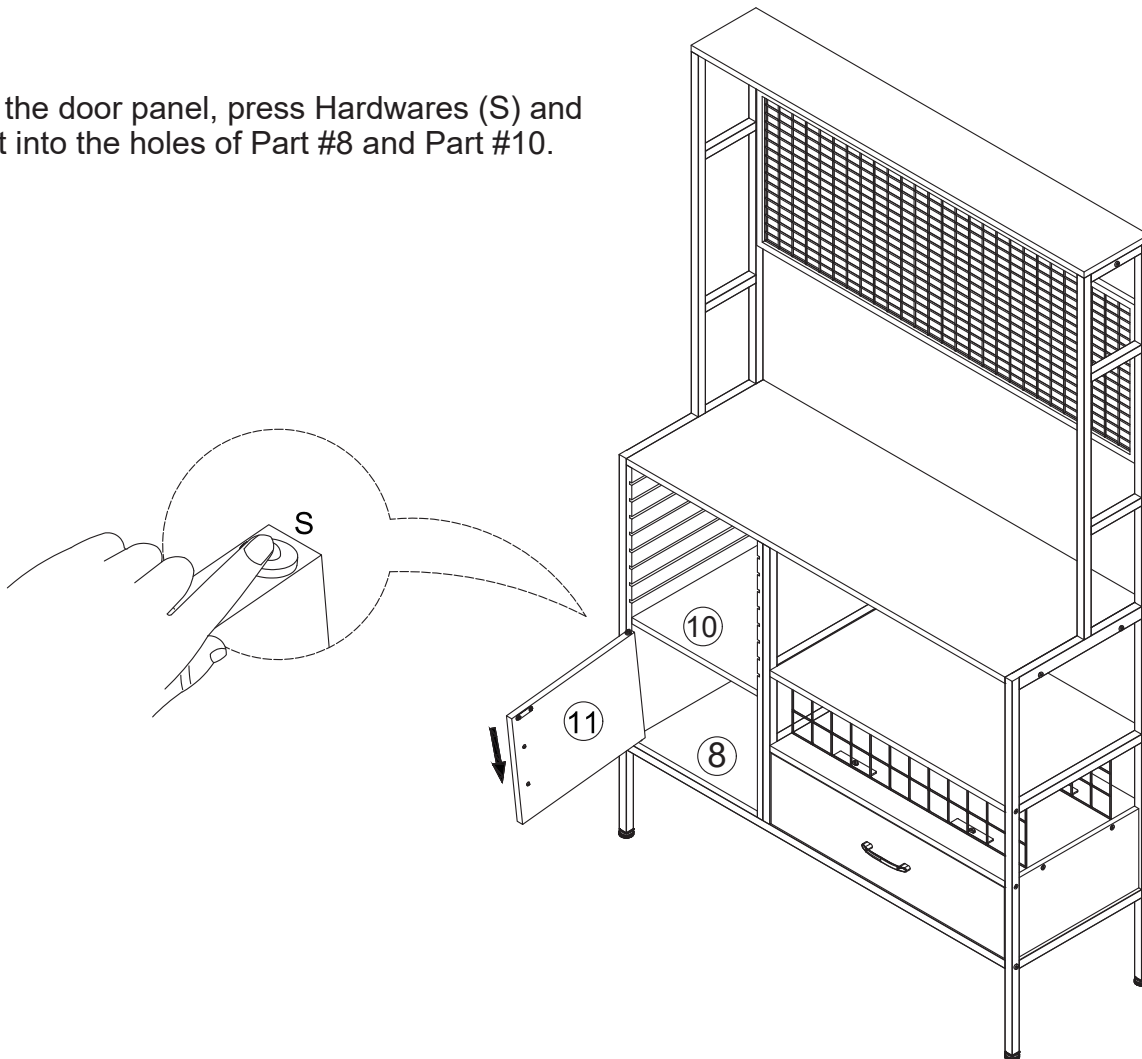
Install Accessoires (L2) using Screw Ex2 onto Parts #11 as shown.
 Install Door Knob (M1) on Parts #11 using Screws (M2)x2.
 Insert hardware Sx2 into the holes of Part #11.



	E X2		L X1
	S X2		M X1
			M2

31

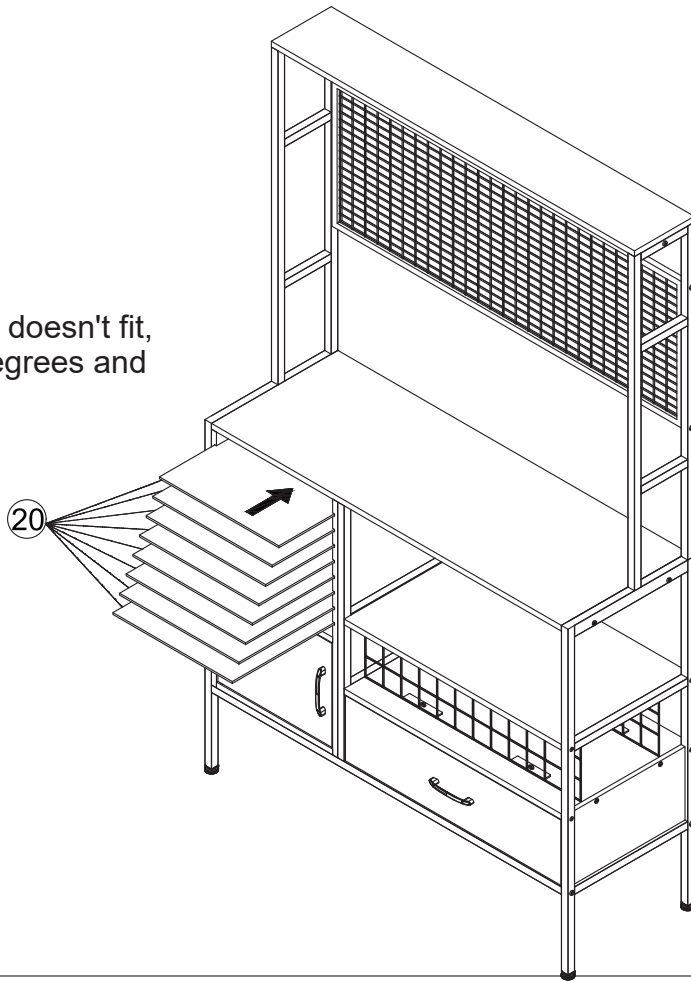
Install the door panel, press Hardwares (S) and snap it into the holes of Part #8 and Part #10.



32

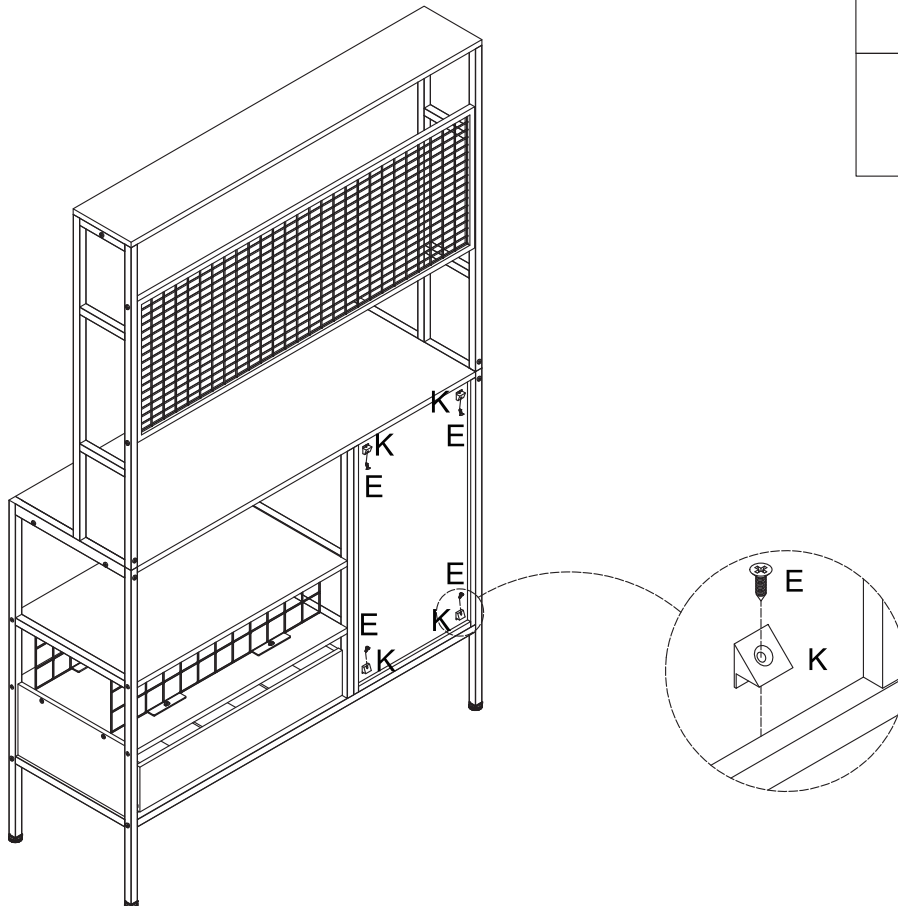
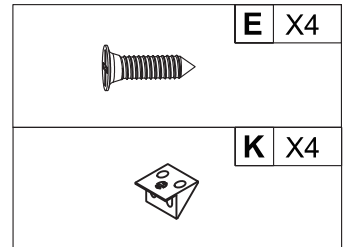
Slide Part #20 x8 into groove as shown.

Note: if the board doesn't fit, try rotating it 90 degrees and insert it again.



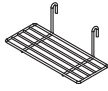
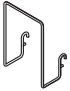





33

Insert Part Kx4 into gap as shown and tighten with Screw Ex4



34

Note: As shown in the figure, according to your requirements, hang the accessories U,V,W,X,Y,Z,AA on the wire mesh

	U X2		V X2
	W X12		X X3
	Y X4		Z X2
			AA X1

