

Assembly & Installation Instructions

CAUTION: Read instructions carefully and turn electricity off at main circuit breaker panel before beginning installation.

WARNING - If any Special Control Devices are used with this Fixture, Follow the instructions Carefully to assure full compliance with N.E.C. requirements. If there are any questions, contact a Qualified Electrical Contractor.

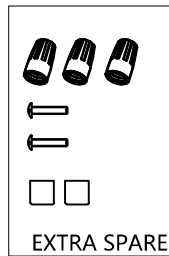
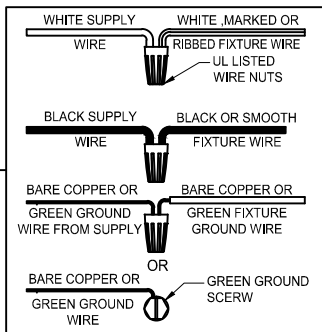
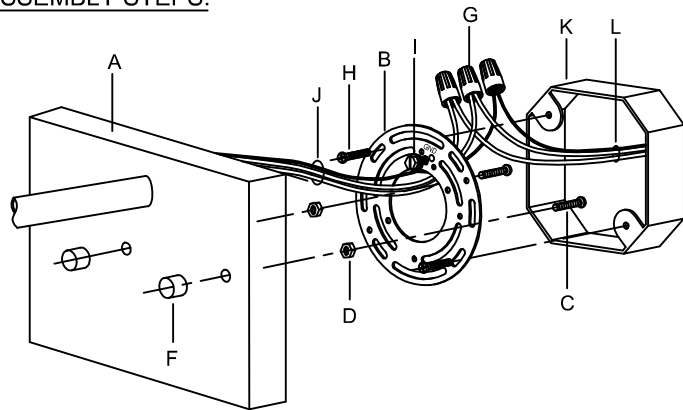
WARNING - This product contains chemicals known to the State of California to cause cancer, birth defects and /or other reproductive harm. Thoroughly wash hands after installing, handling, cleaning, or otherwise touching this product

CAUTION - All glass is fragile, use care when handling Glass component(s) and or Lamp(S).

CANOPY MOUNTING & WIRE CONNECTION ASSEMBLY STEPS:

1. C.I → B
2. D → C
3. B.H → K
4. J.L → G
5. A.F → C

K.L (Wire and Mounting Box Not Included)



NO	A	B	C	D	E	F	G	H	M
Part list									
QTY	1	1	2	2	1	2	3	2	1

FIXTURE ASSEMBLY STEPS :

1. E.M → A
 2. N → A
- N (Bulb Not Included)

