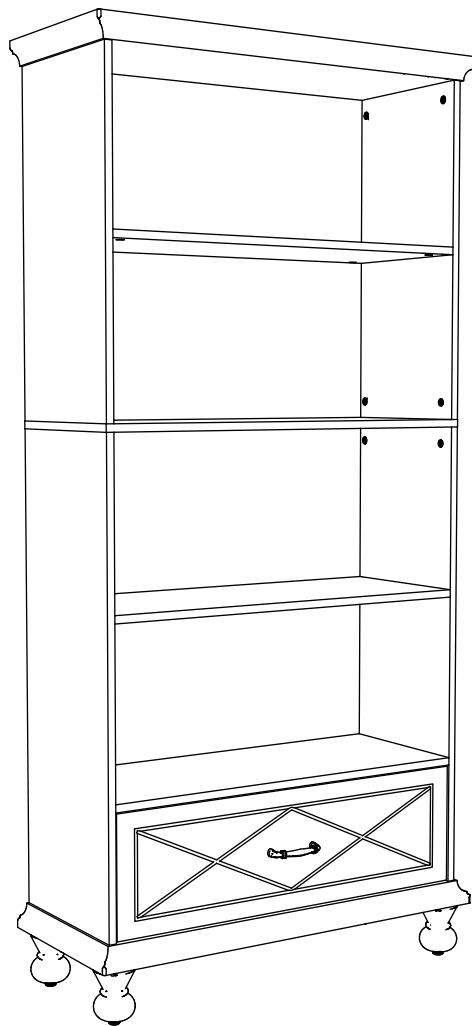


Assembly Instructions

Book Cabinet



Call us!

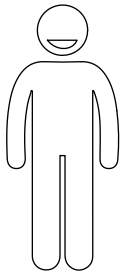
We're here to help!

If you have any issues with this product, please contact our customer service team **before returning** it.

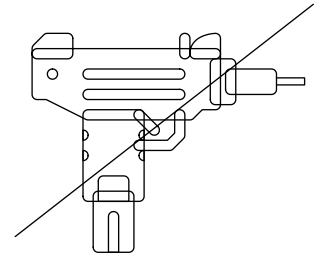
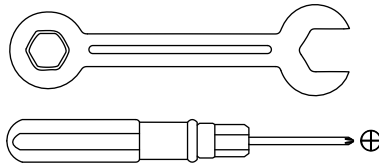
We want you to be completely satisfied with your purchase! If anything is missing, damaged, incor-rect, or not what you expected, don't worry. Please keep the outer packaging and take photos of both the packaging and products, and then reach out to us or call us. We'll take care of everything and send you a free replacement, so you can enjoy your purchase as soon as possible without any hassle.

Assembly Instructions:

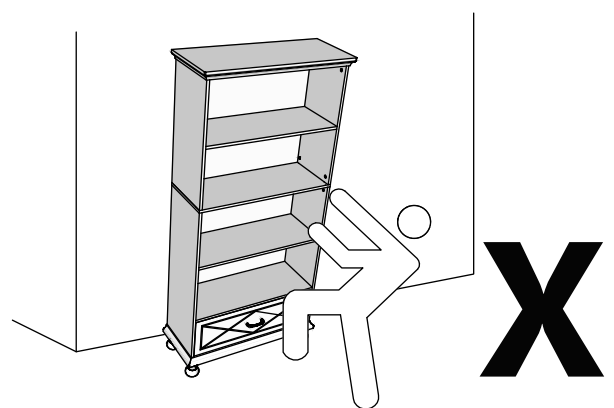
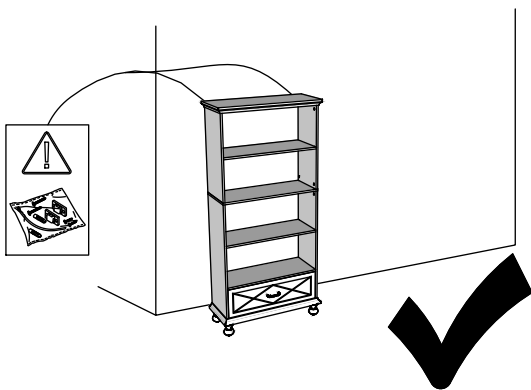
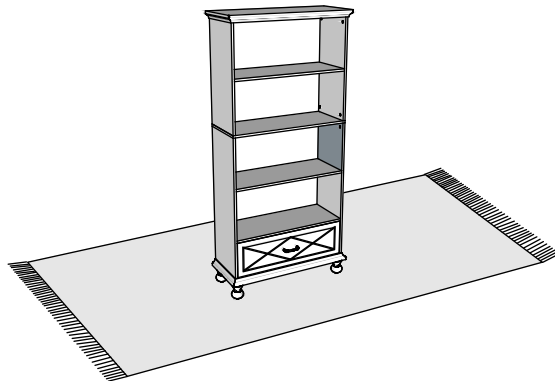
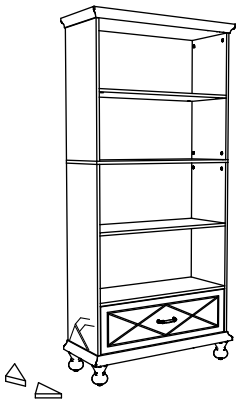
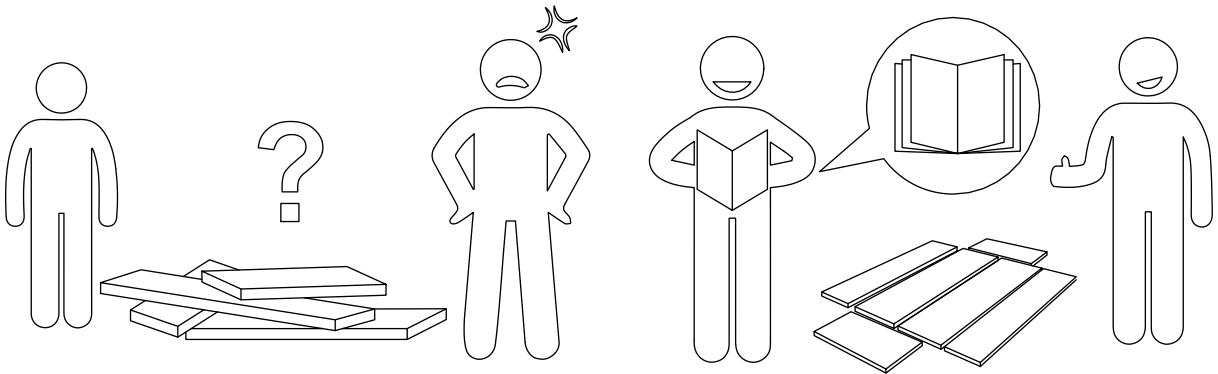
1. Carefully read these instructions and keep them for future reference.
2. Refer to the parts list for guidance and ensure that you have all the pieces before starting the assembly process, if anything is missing, damaged, incorrect, contact us **FIRSTLY BEFORE** assembling.
3. When assembling, place all parts on a soft, clean, and flat surface, such as a carpet, to prevent any scratches.
4. To avoid misalignment of the holes, Please don't full tighten the screws until you ensure all parts in place.



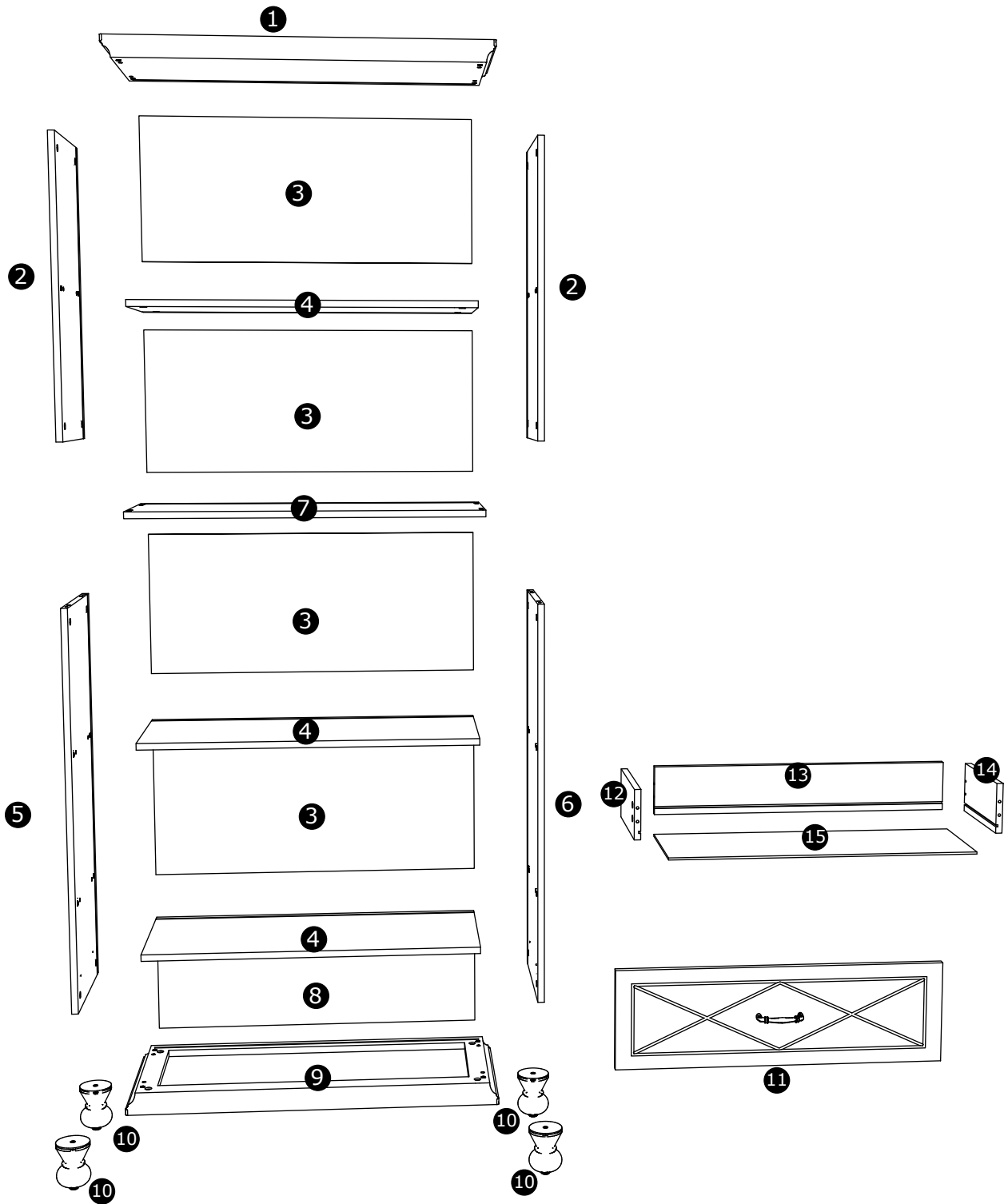
X2



When using the electric screwdriver ,
Reduce the power and torque to avoid damaging the furniture



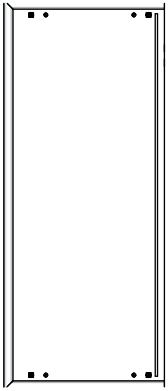
(Install tip-over restraint provided)
Use of tip-over restraints may only reduce but not eliminate,
the risk of tip-over.



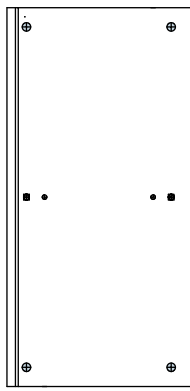
! Caution

Make sure all parts are included. Most board parts are labeled or stamped on the raw edge. Contact us for free replacement if having damaged or missing parts.

Parts & Hardware List



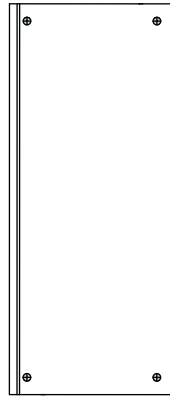
① 1pc



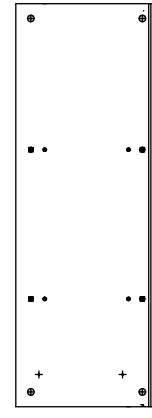
② 2pcs



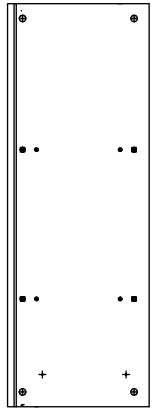
③ 4pcs



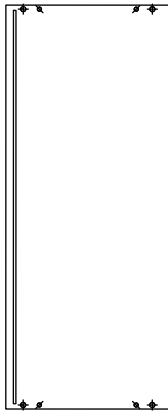
④ 3pcs



⑤ 1pc



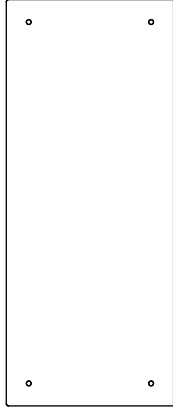
⑥ 1pc



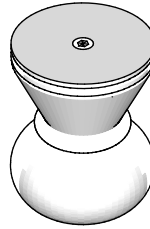
⑦ 1pc



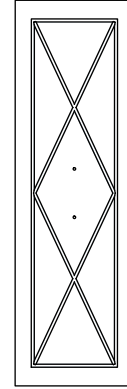
⑧ 1pc



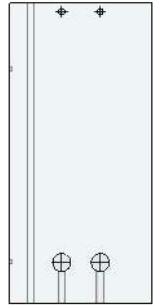
⑨ 1pc



⑩ 4pcs



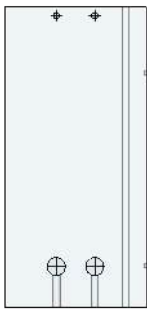
⑪ 1pc



⑫ 1pc



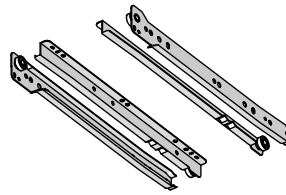
⑬ 1pc



⑭ 1pc



⑮ 1pc



⑯ 1pc

Hardware List



φ 15*12

A

32pcs



M6*40

B

32pcs



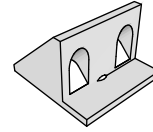
C

28pcs



D

38pcs



E

30pcs



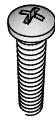
F

4pcs



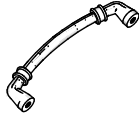
G

4pcs



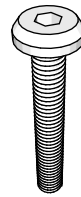
H

2pcs



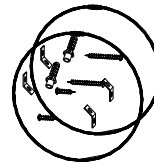
I

1pc



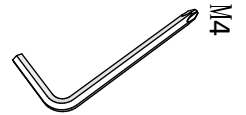
J

4pcs



K

1pc



L

1pc

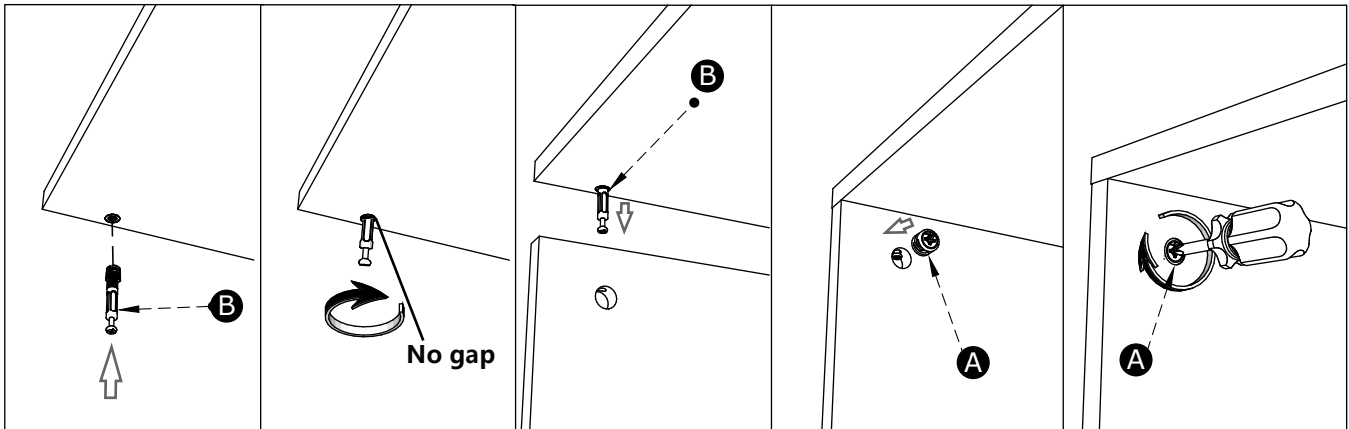
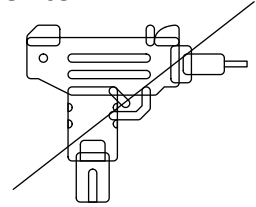


M

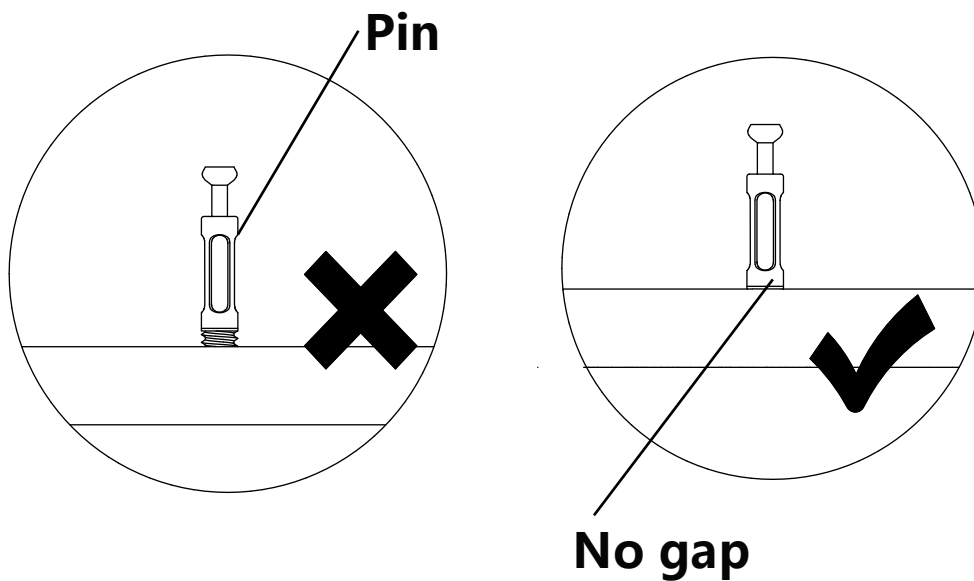
1pc

Installation of Cams and Pins

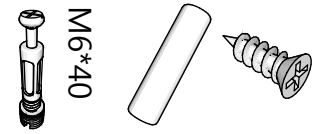
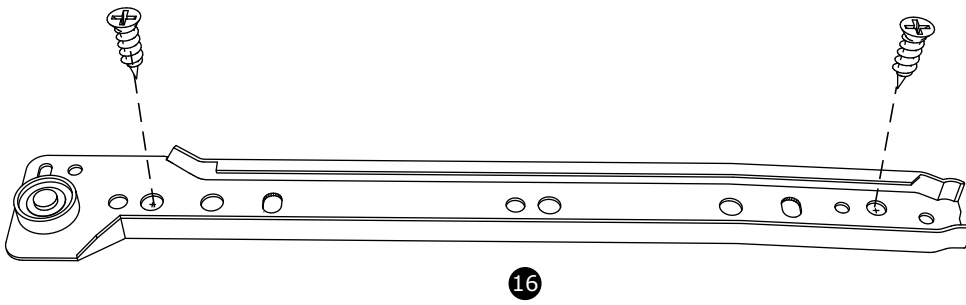
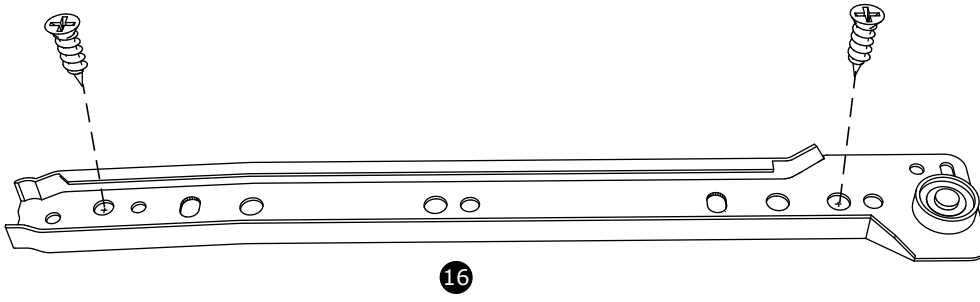
Screw the pin into the hole. To set the cams correctly, ensure that the arrow on the cam is opening to the hole of the pin it is locking. Lock the cam by turning the cam head with a screwdriver until it is tightened. Please do not use an electric screwdriver to assemble the unit.



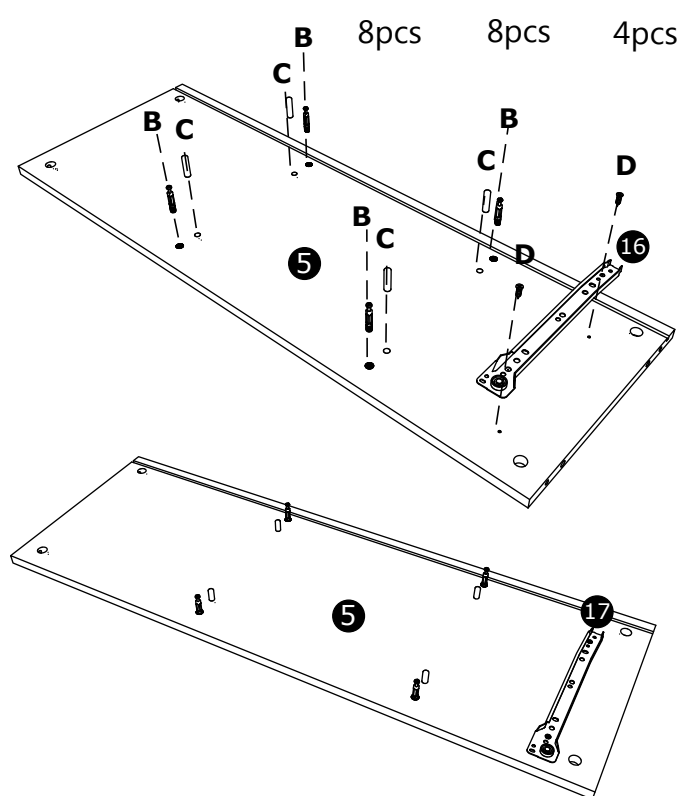
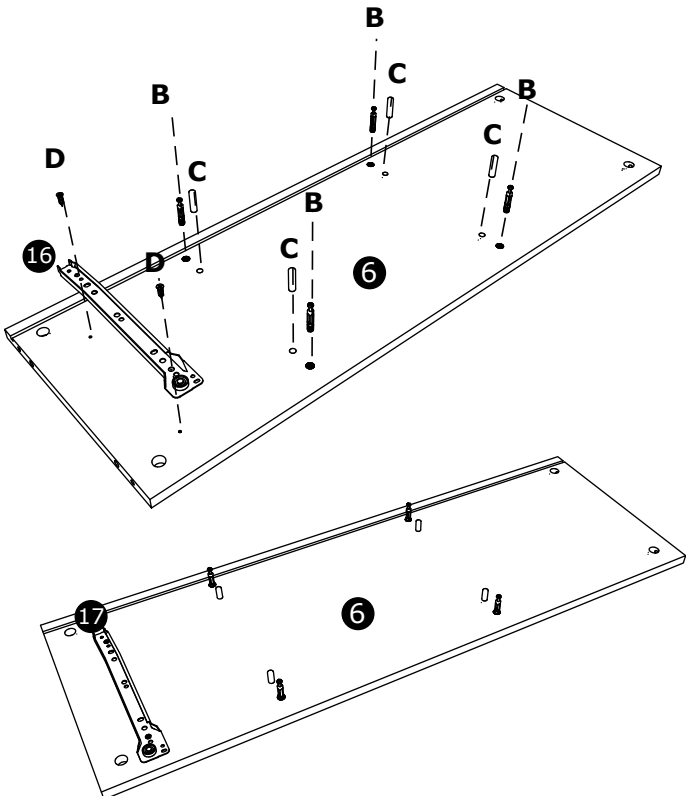
Read each step carefully before starting. It is very important that each step of instruction is performed in the correct order. If these steps are not followed in sequence, assembly difficulties will occur.



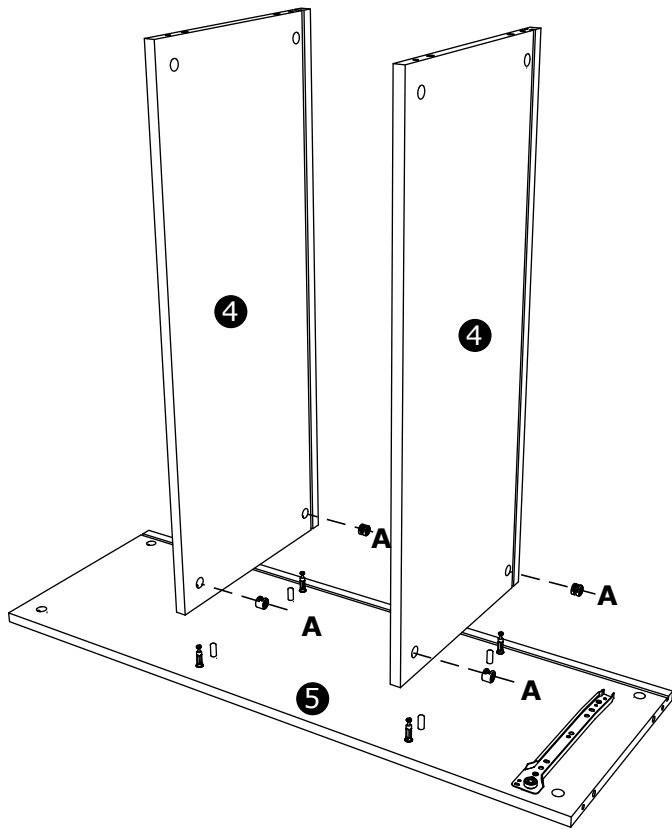
1



B 8pcs **C** 8pcs **D** 4pcs

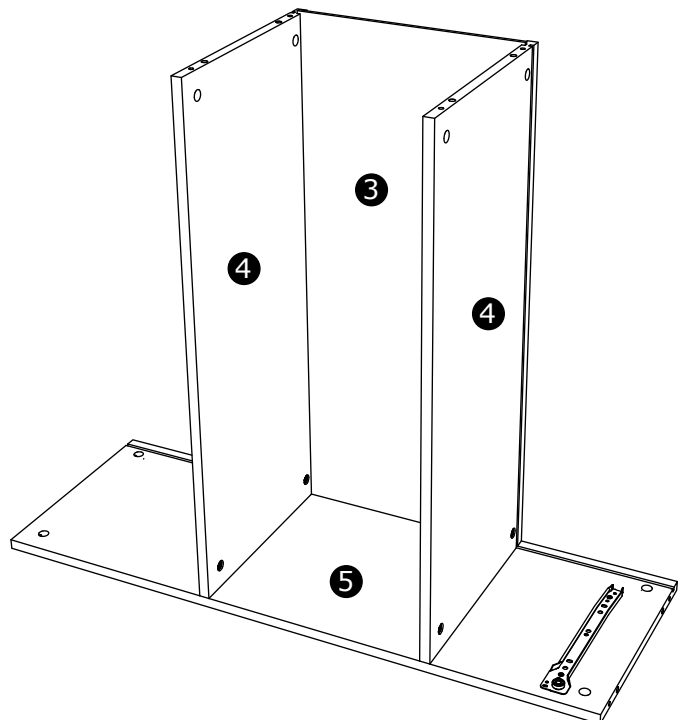
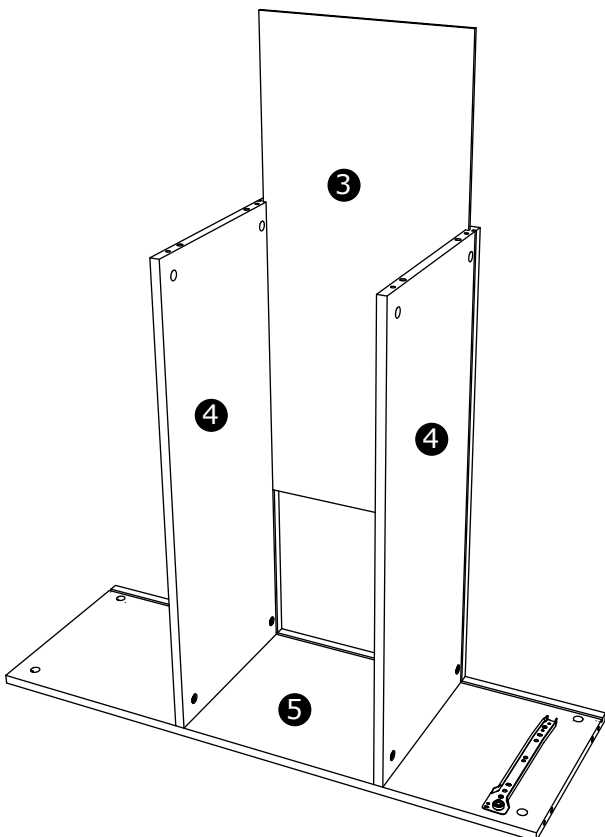
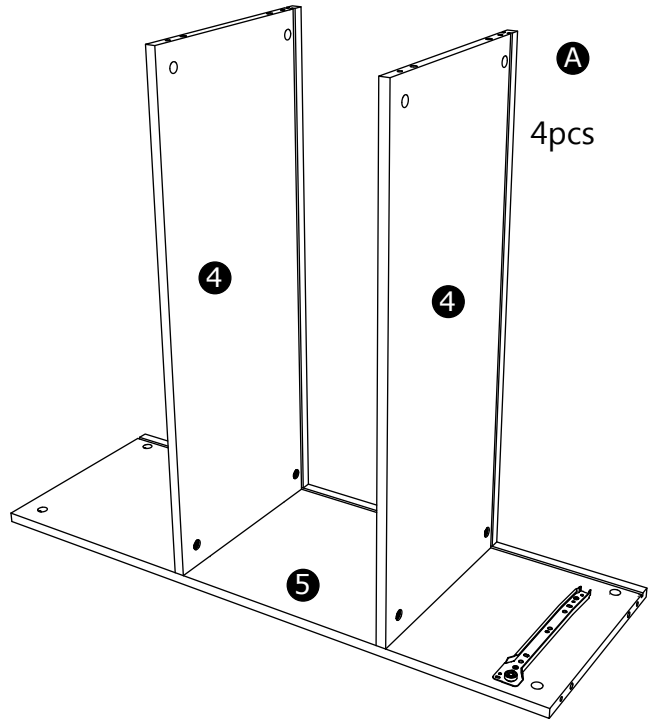


2



φ 15*12

A
4pcs



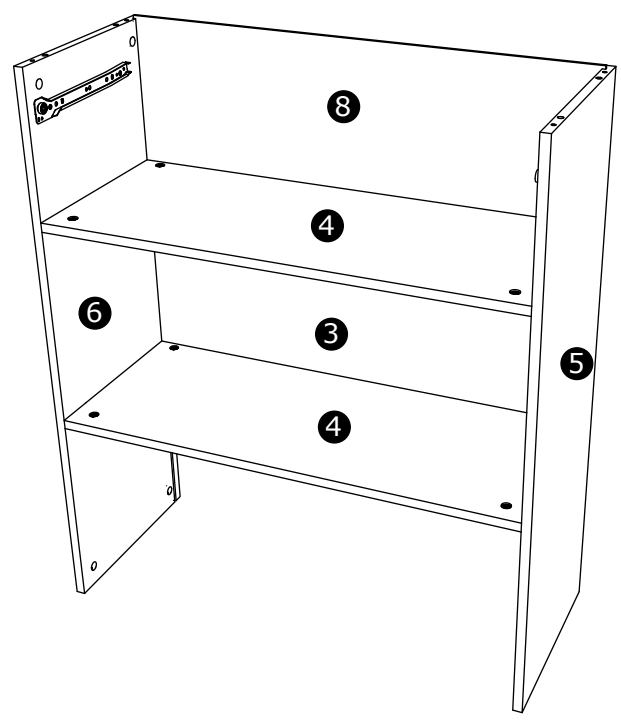
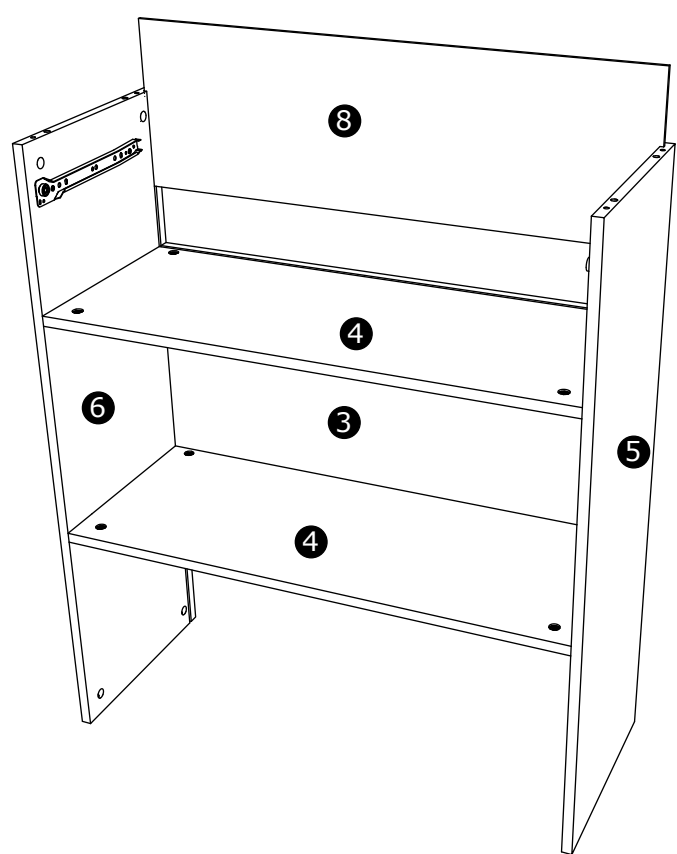
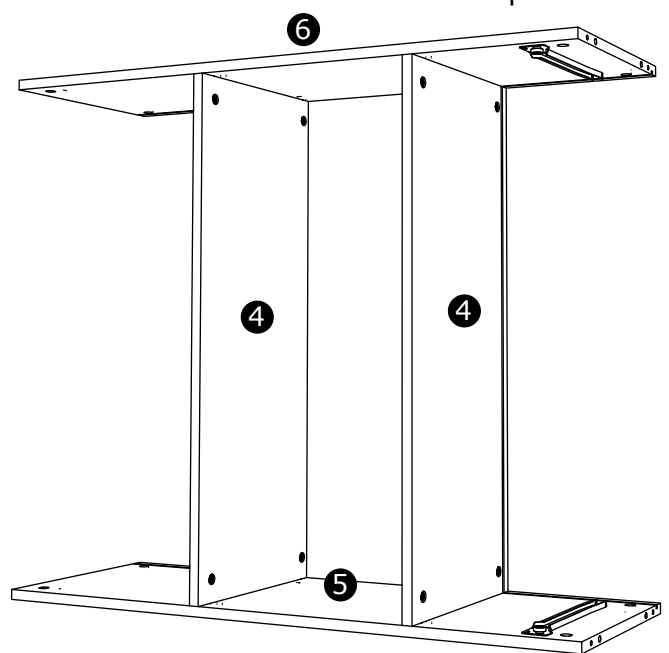
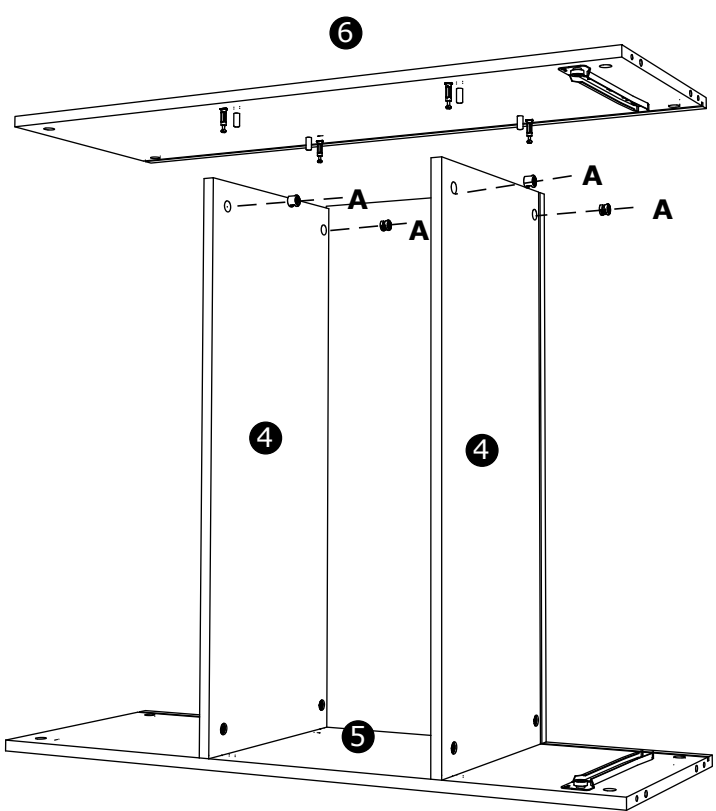
3



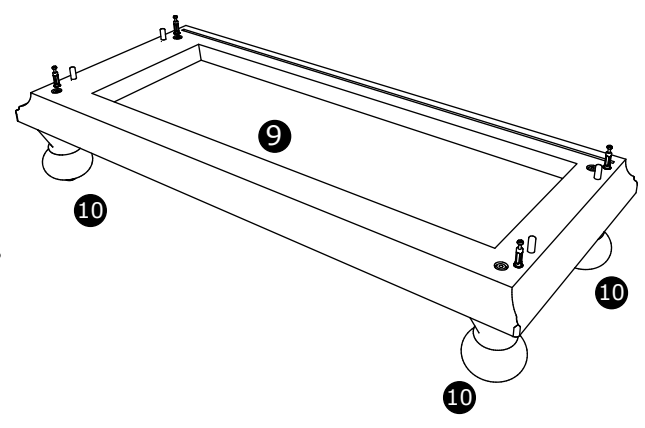
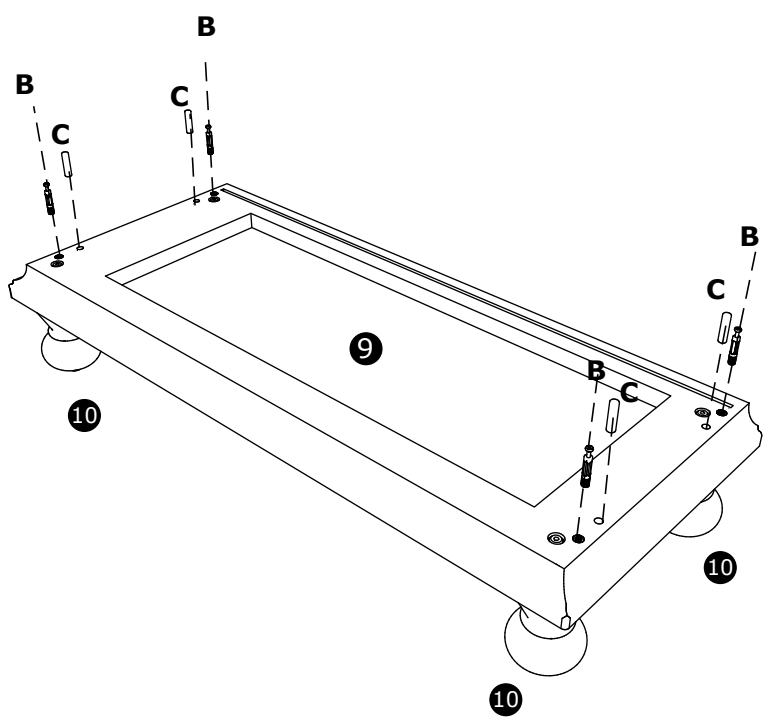
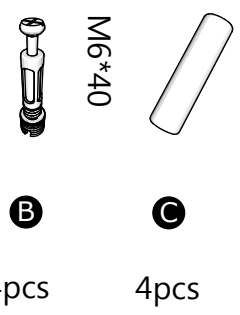
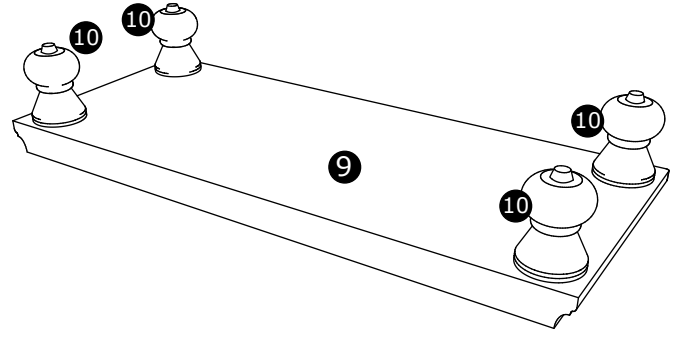
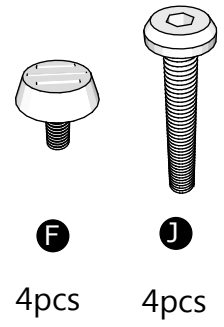
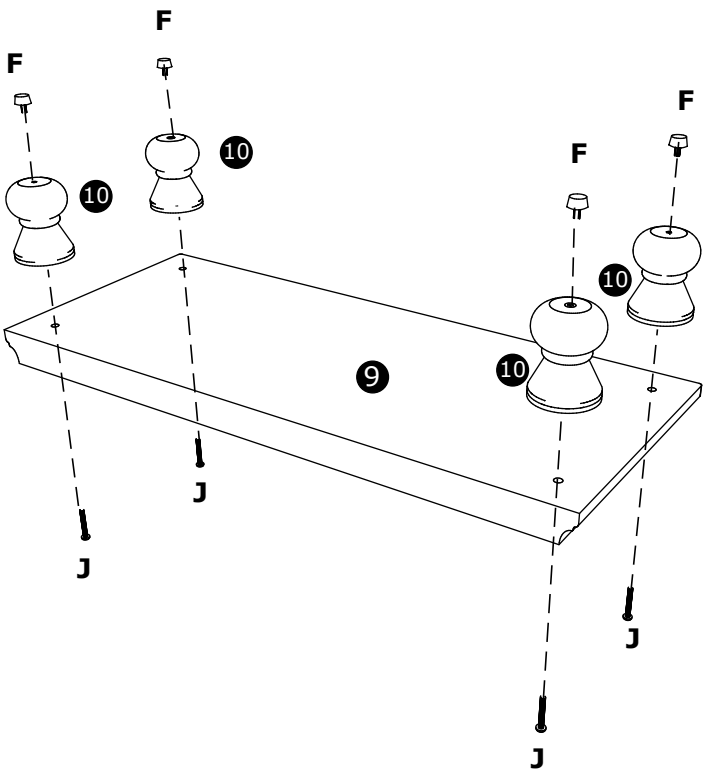
Φ 15*12

A

4pcs



4



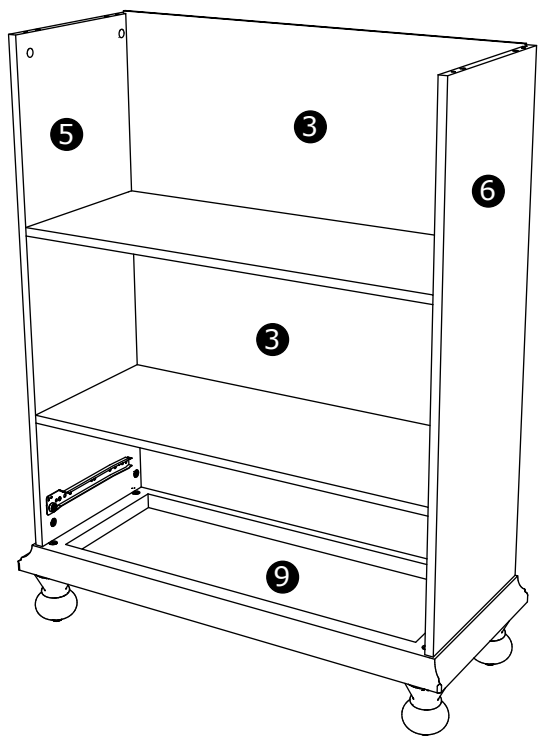
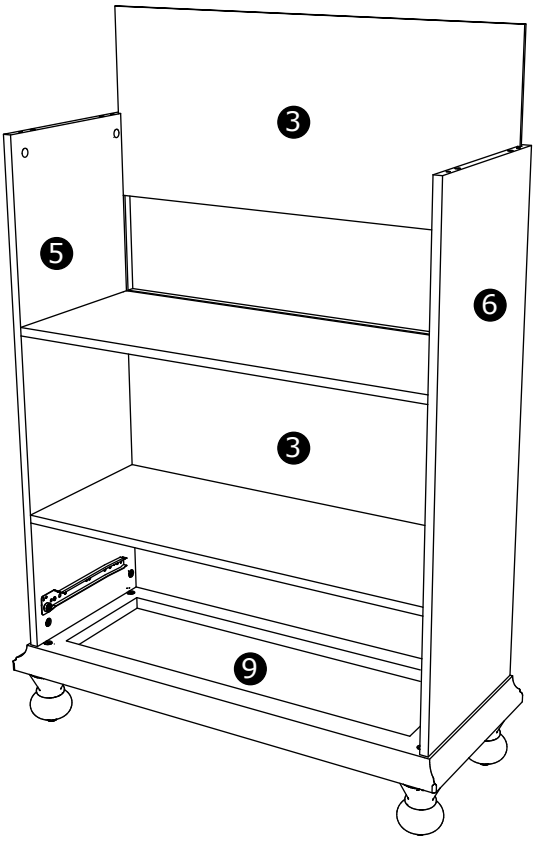
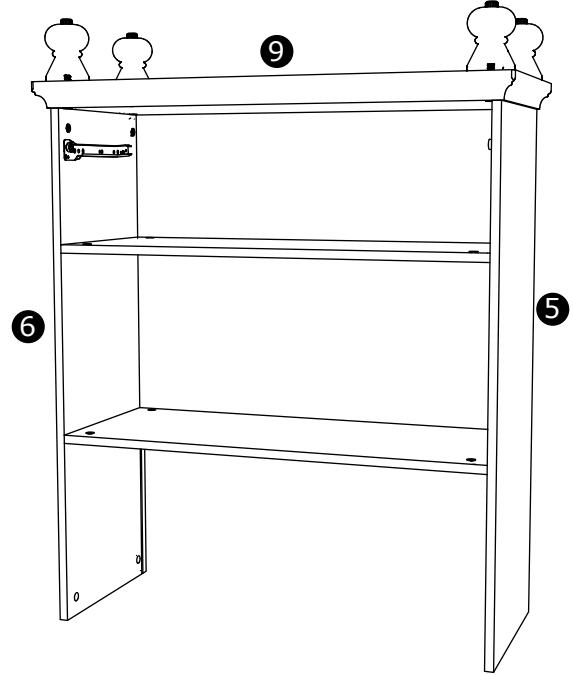
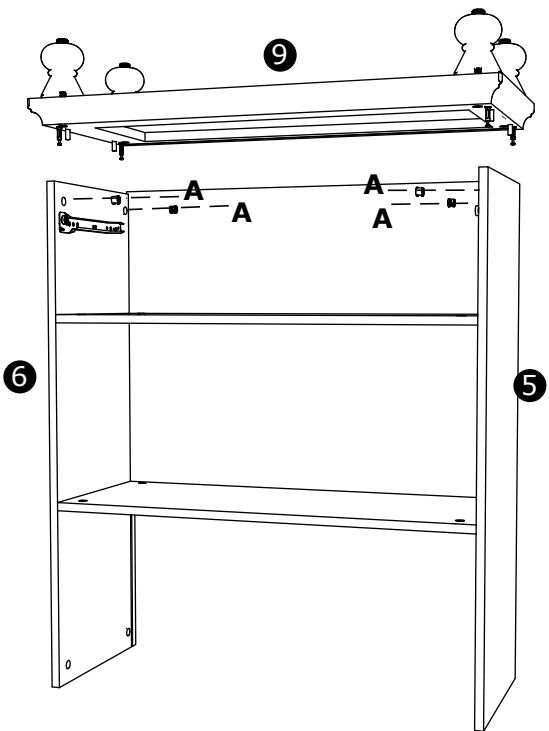
5



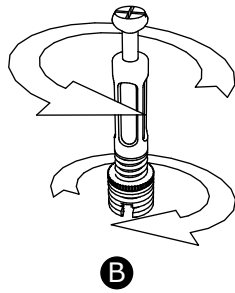
φ 15*12

A

4pcs



6



separate



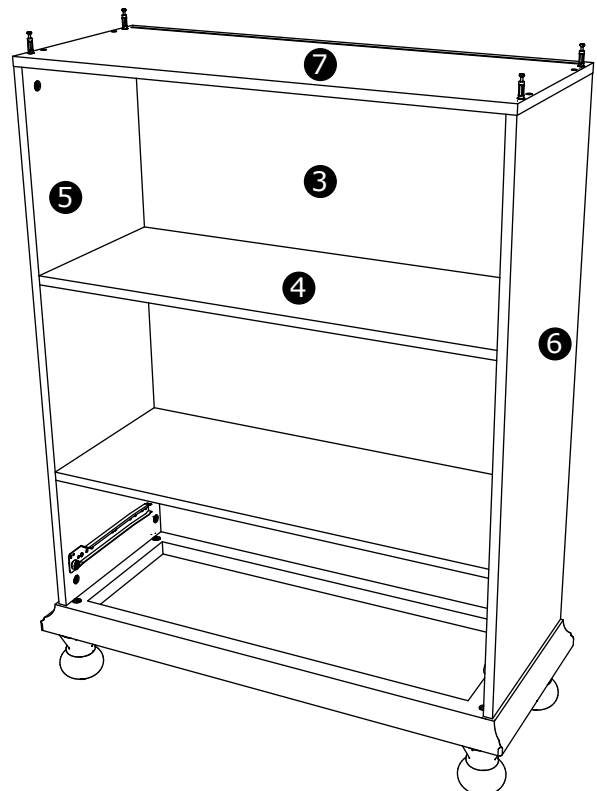
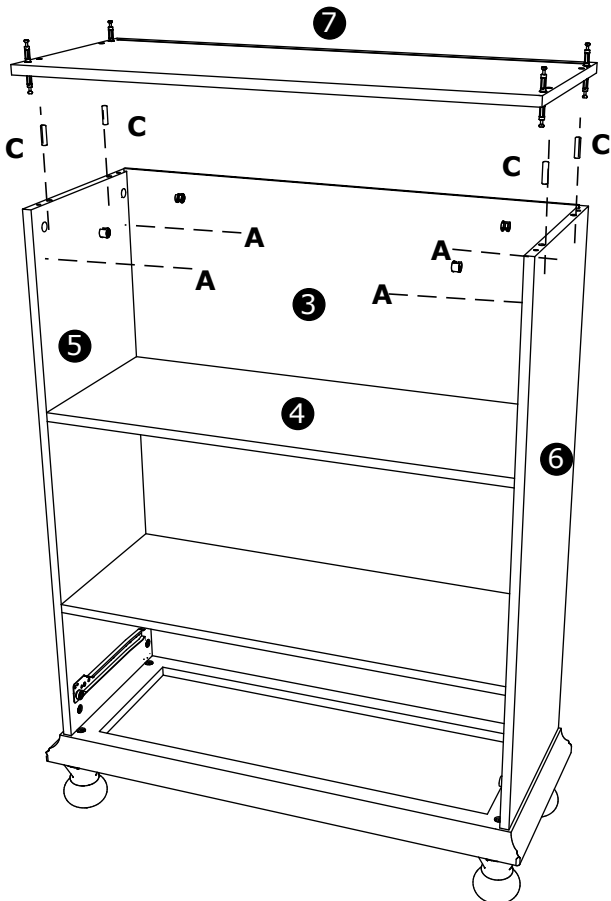
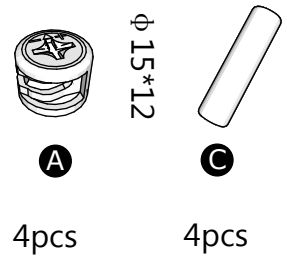
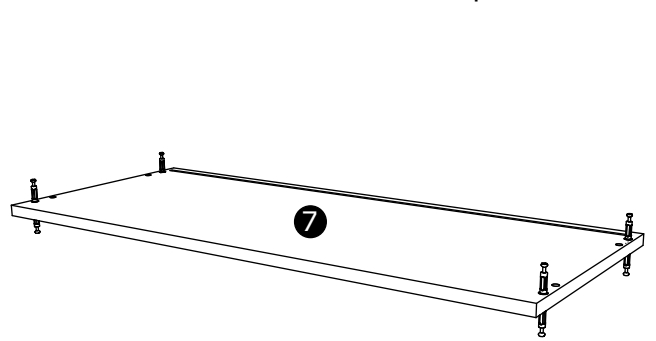
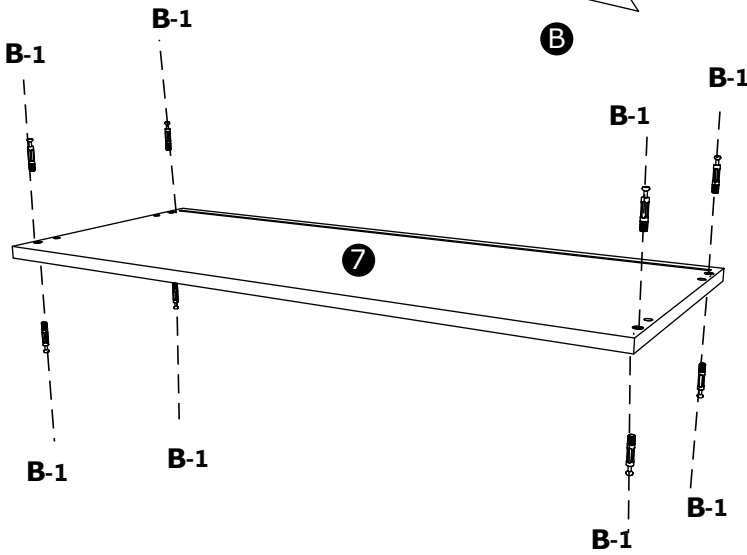
B-1



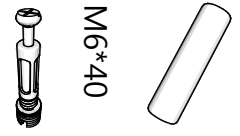
B

M6*40

8pcs



7

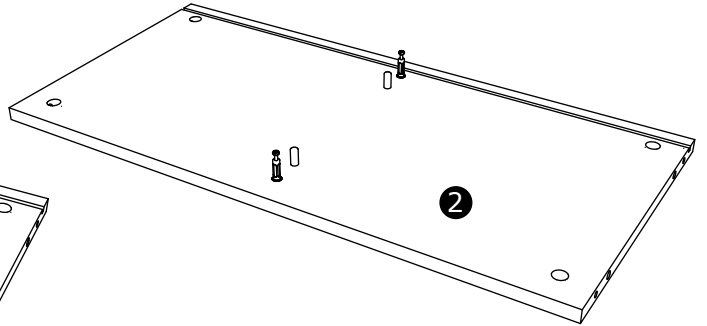
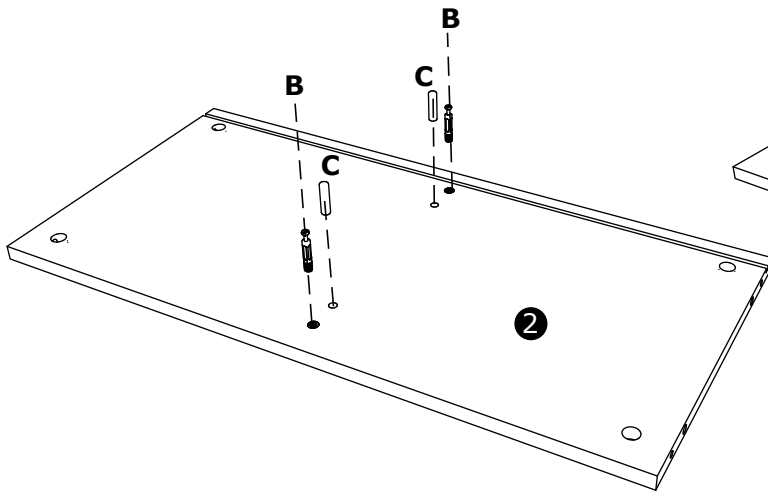


B

C

4pcs

4pcs



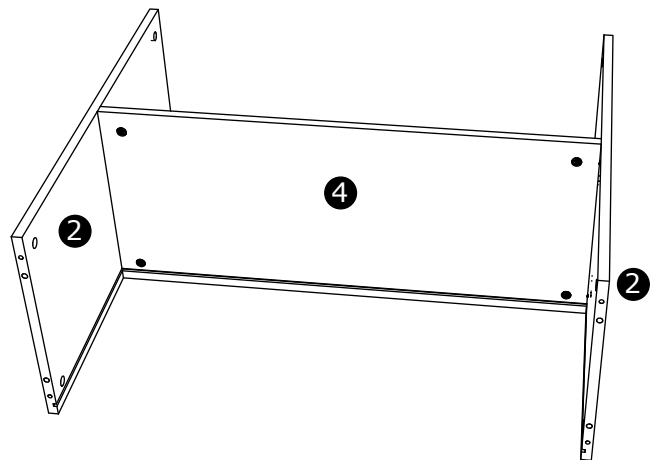
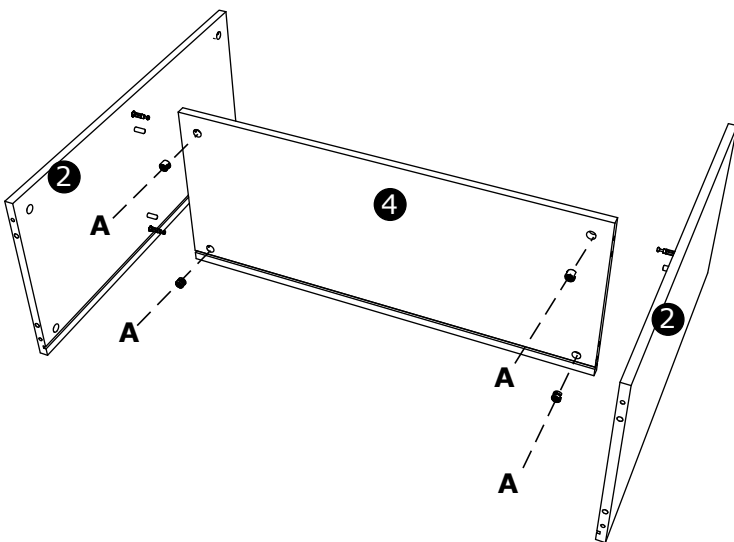
X2



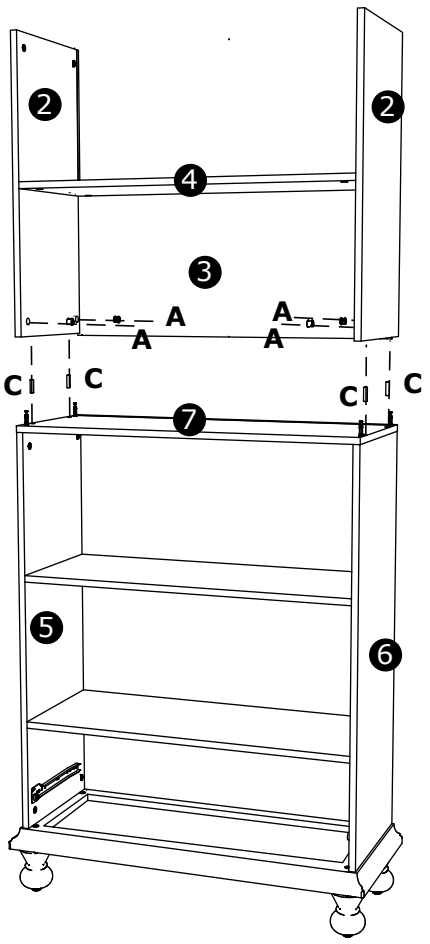
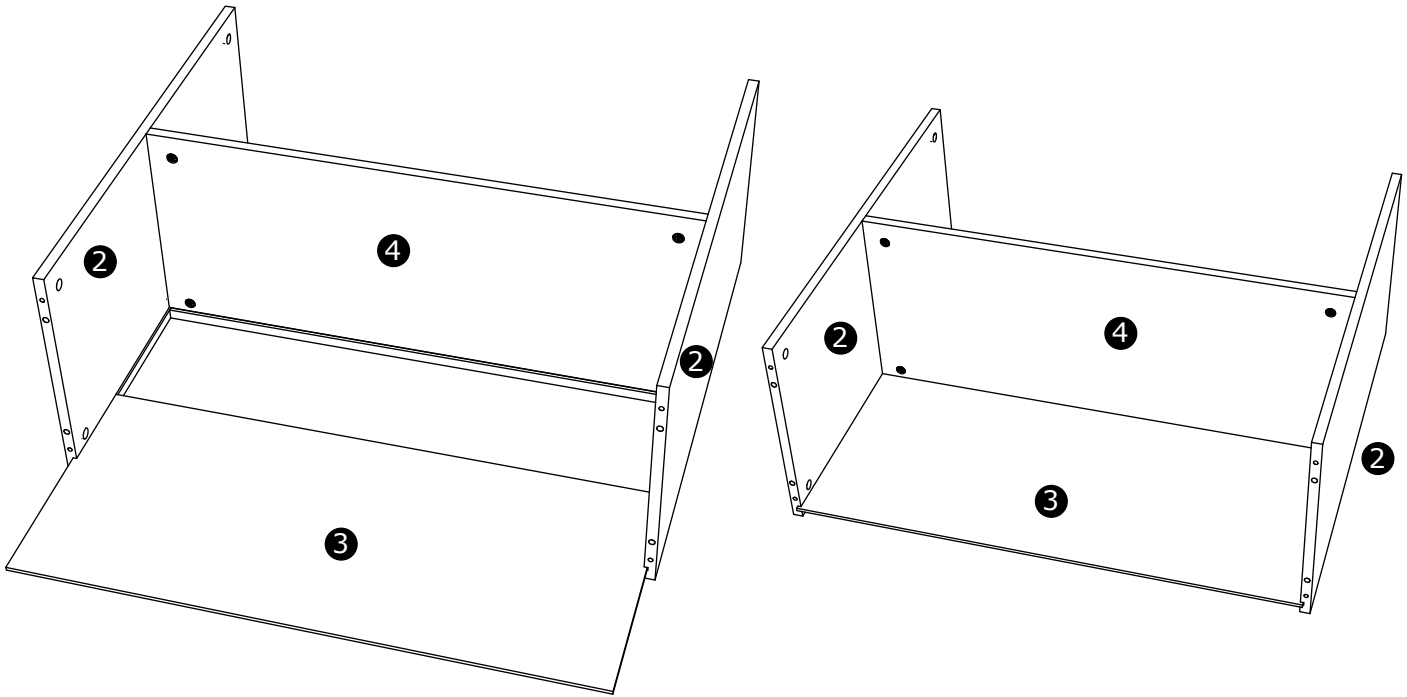
φ 15*12

A

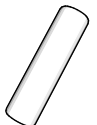
4pcs



8



φ 15*12



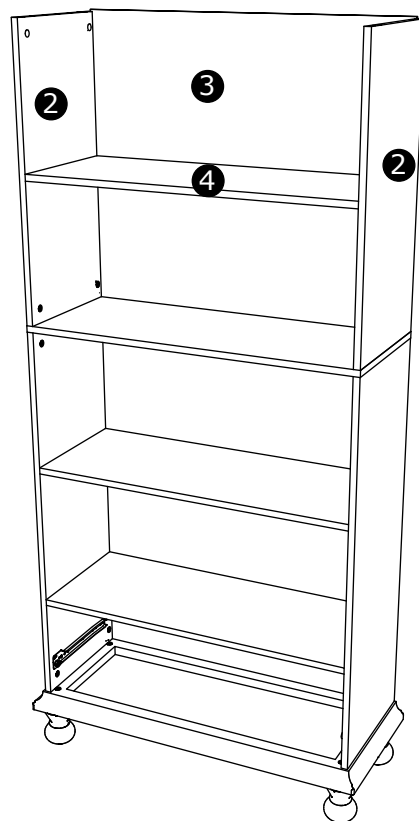
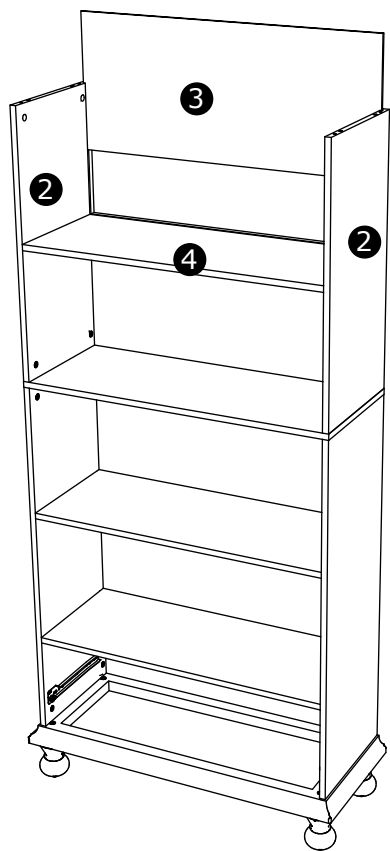
A

C

4pcs

4pcs

9



M6*40

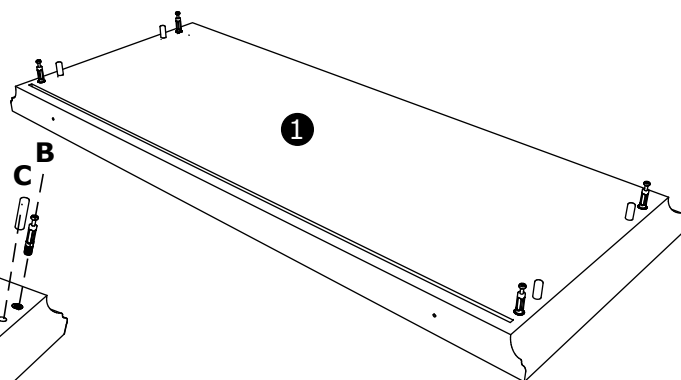
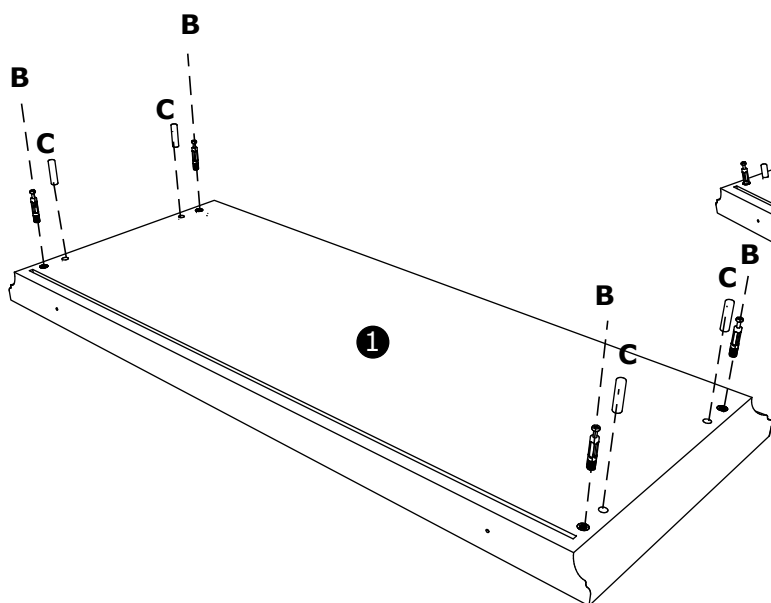


B

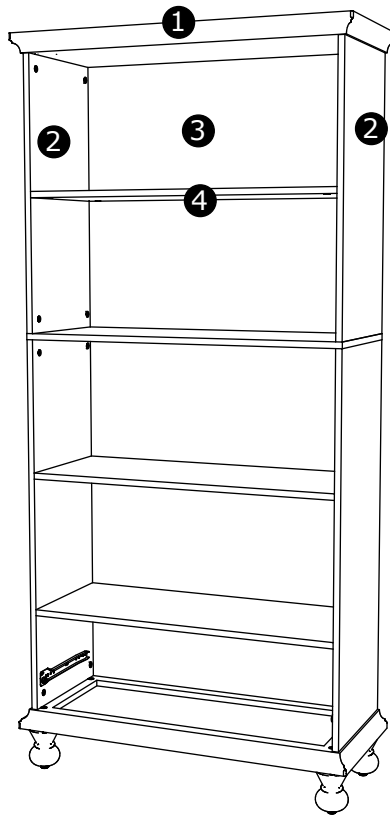
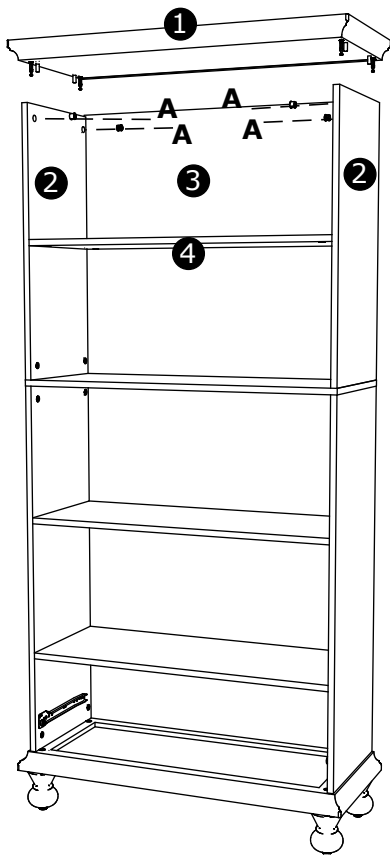
C

4pcs

4pcs



10



φ 15*12

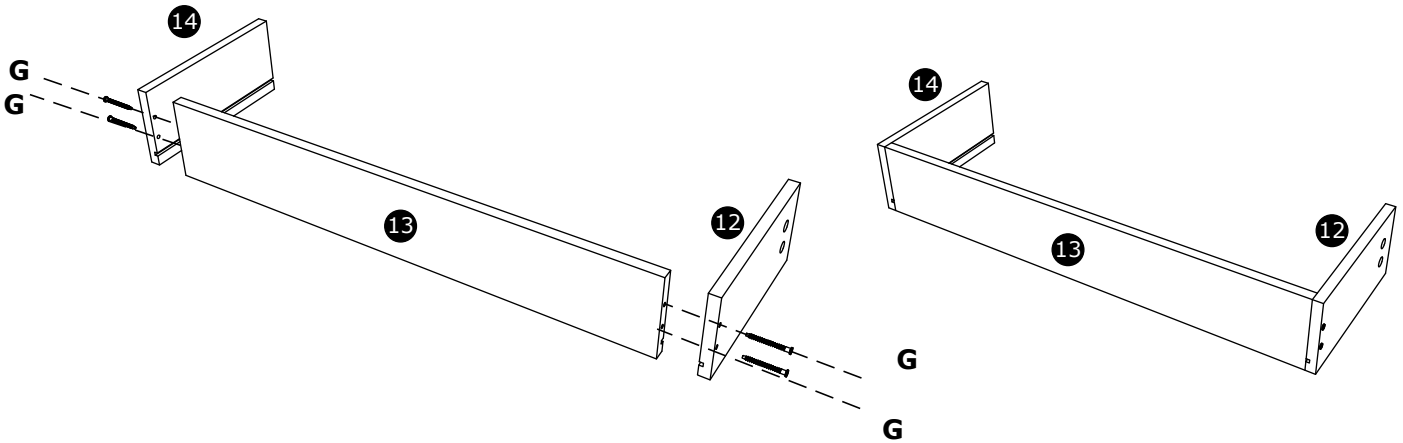
A

4pcs

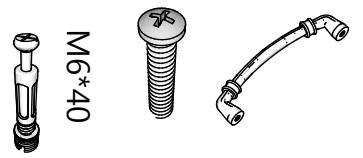
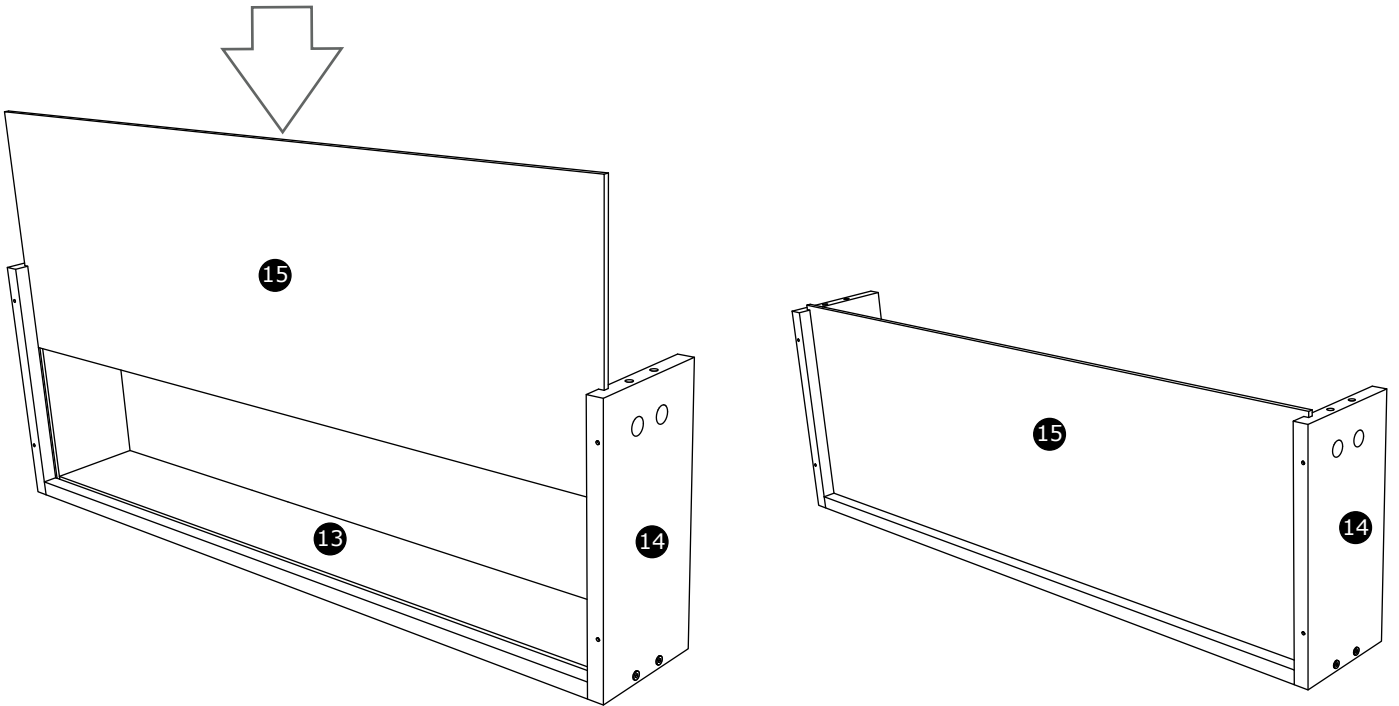


G

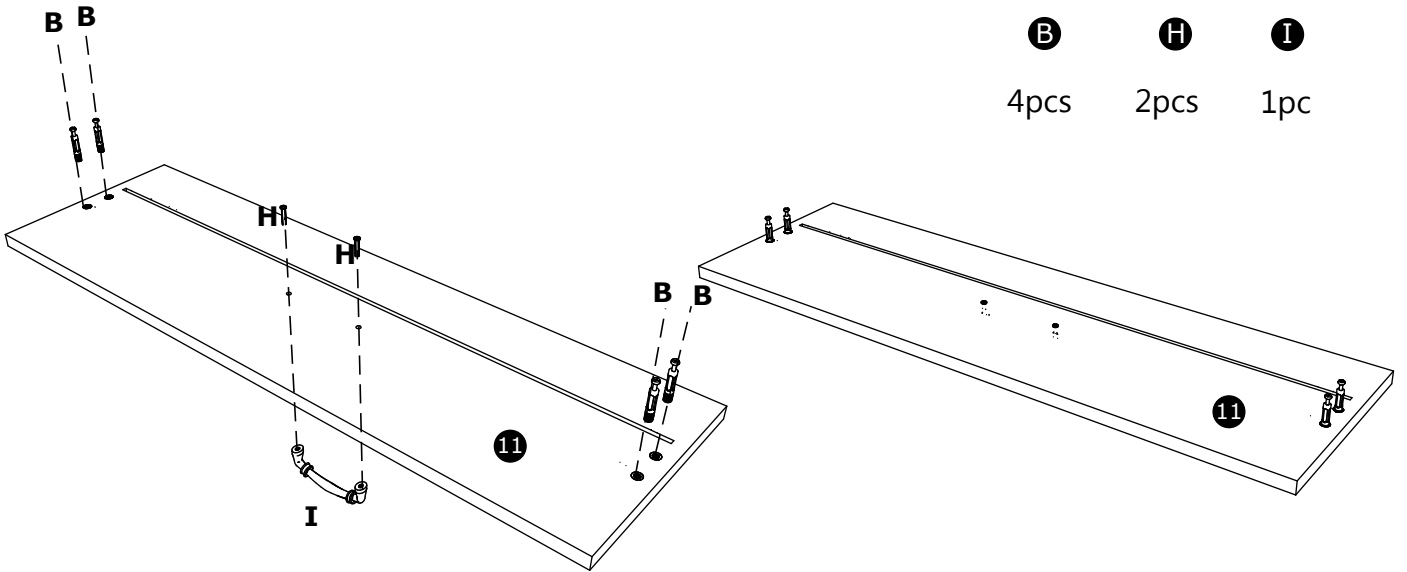
4pcs



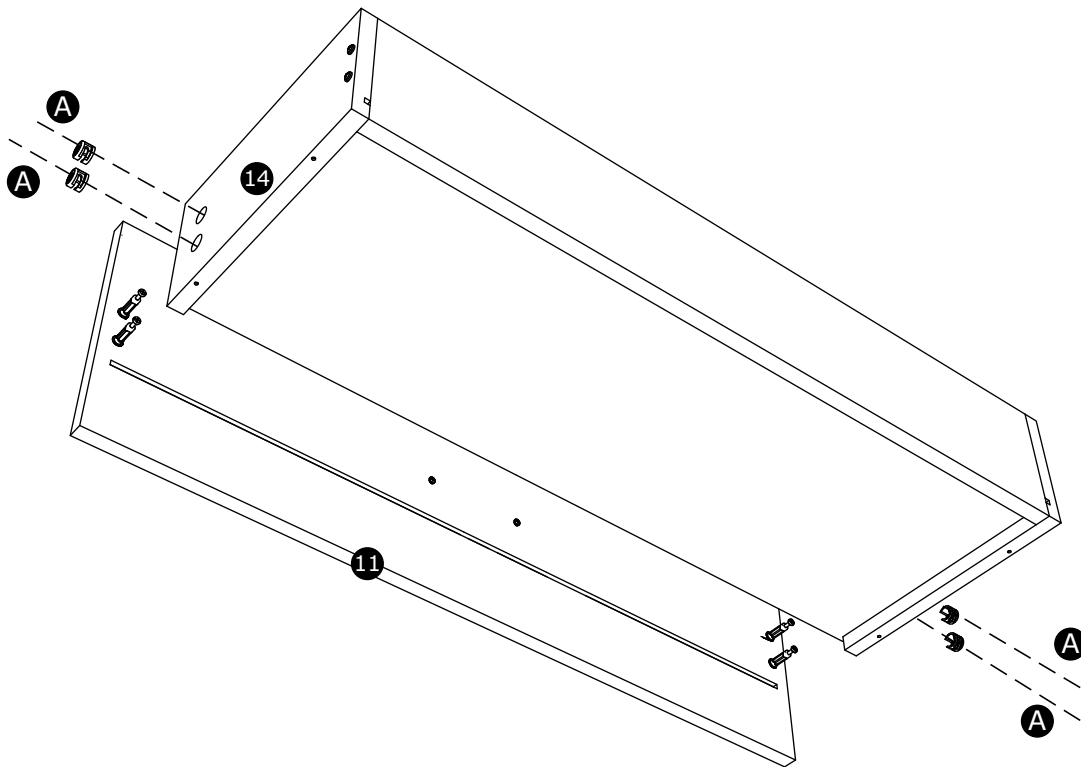
11



B **H** **I**
4pcs 2pcs 1pc



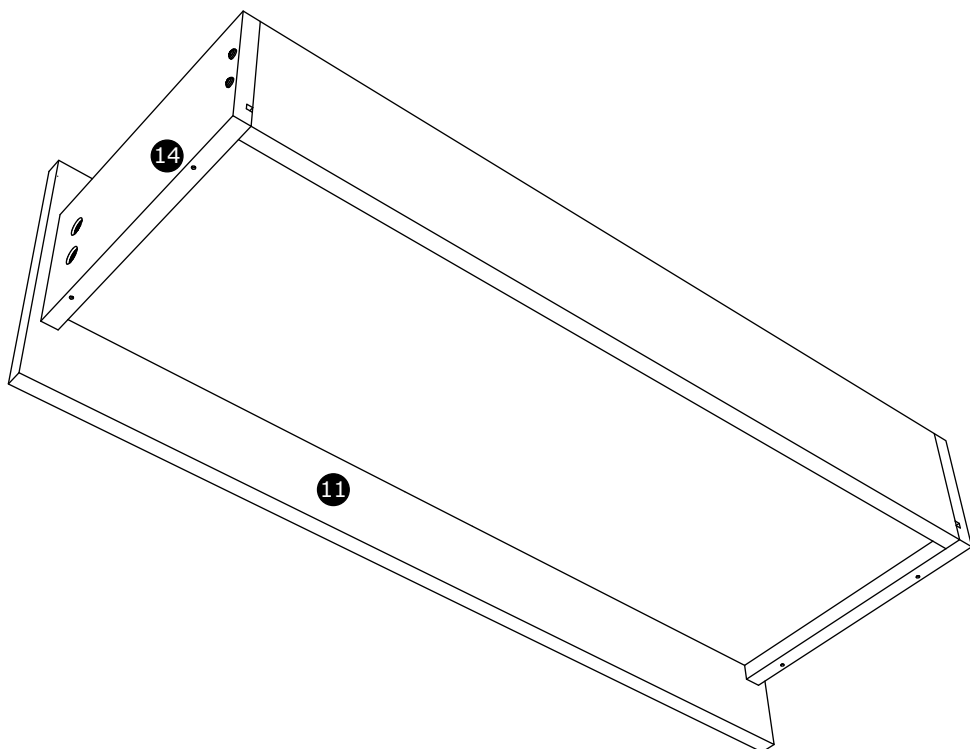
12



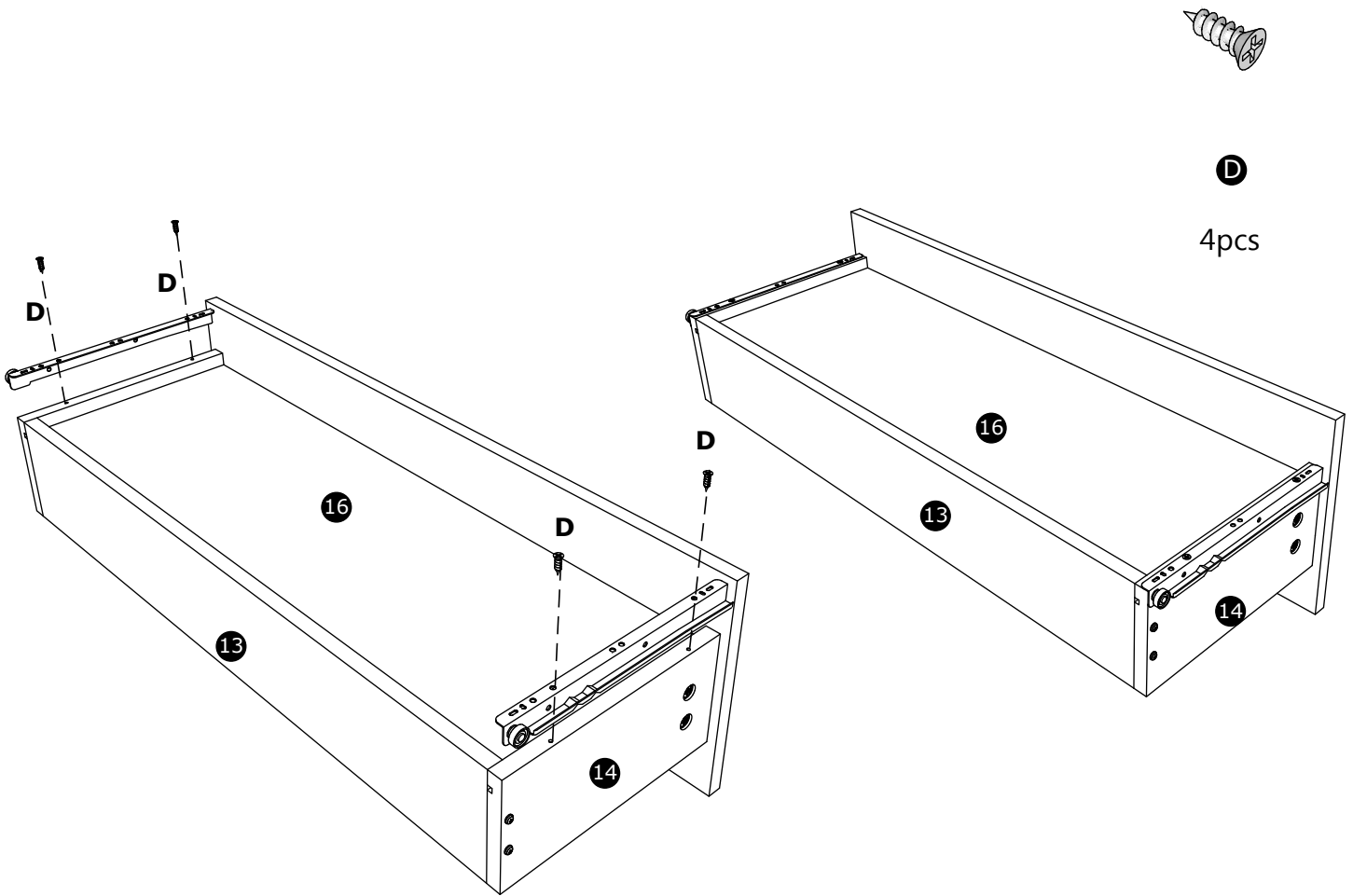
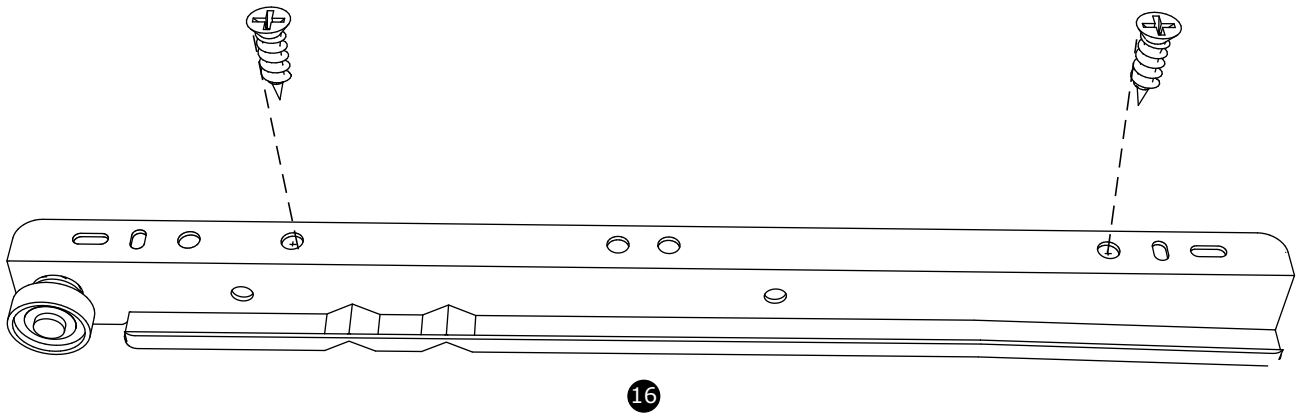
$\phi 15 \times 12$

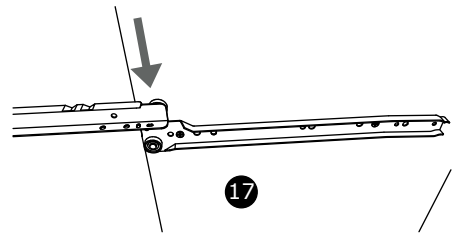
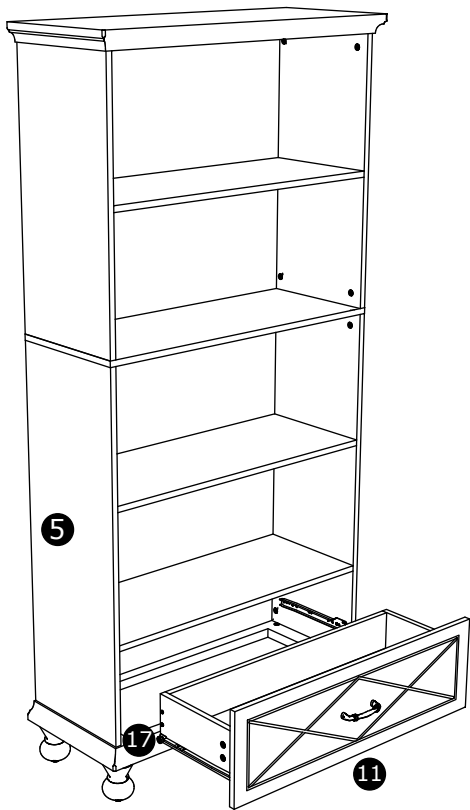
A

4pcs

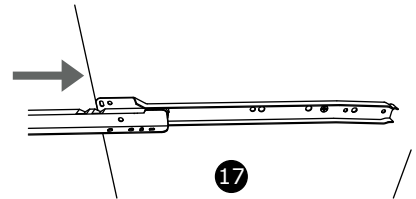


13

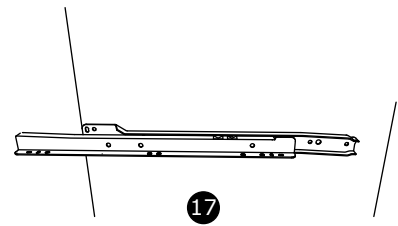




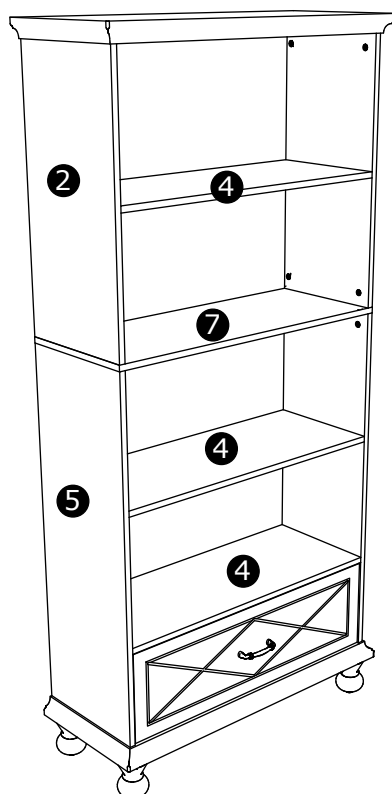
Step1

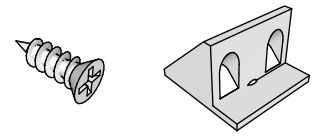
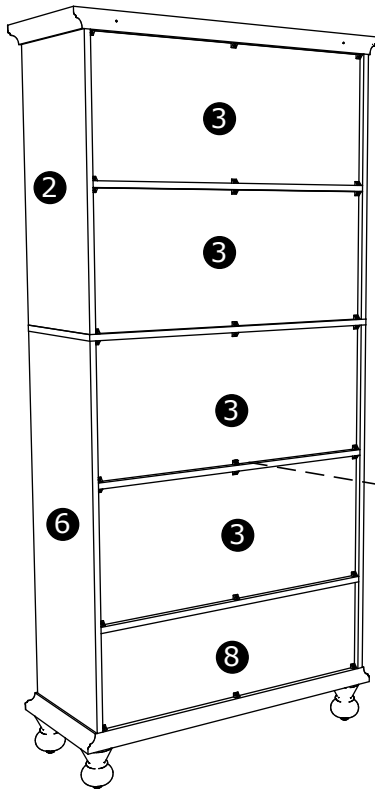


Step2



Step3



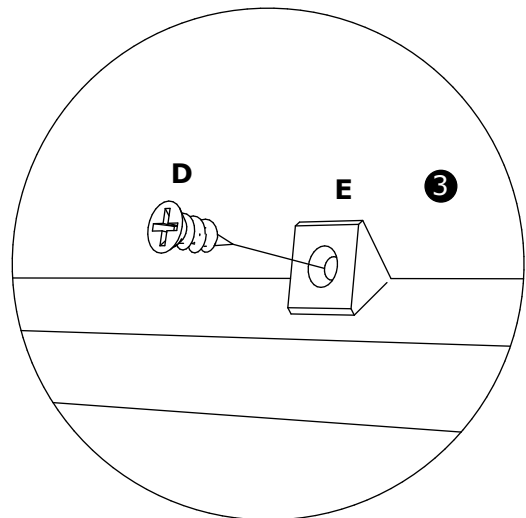
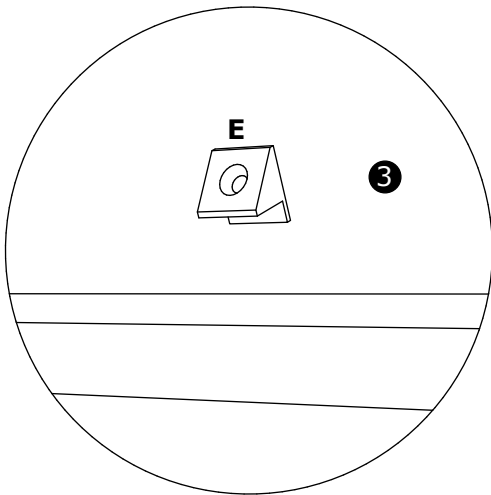
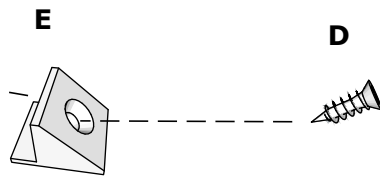


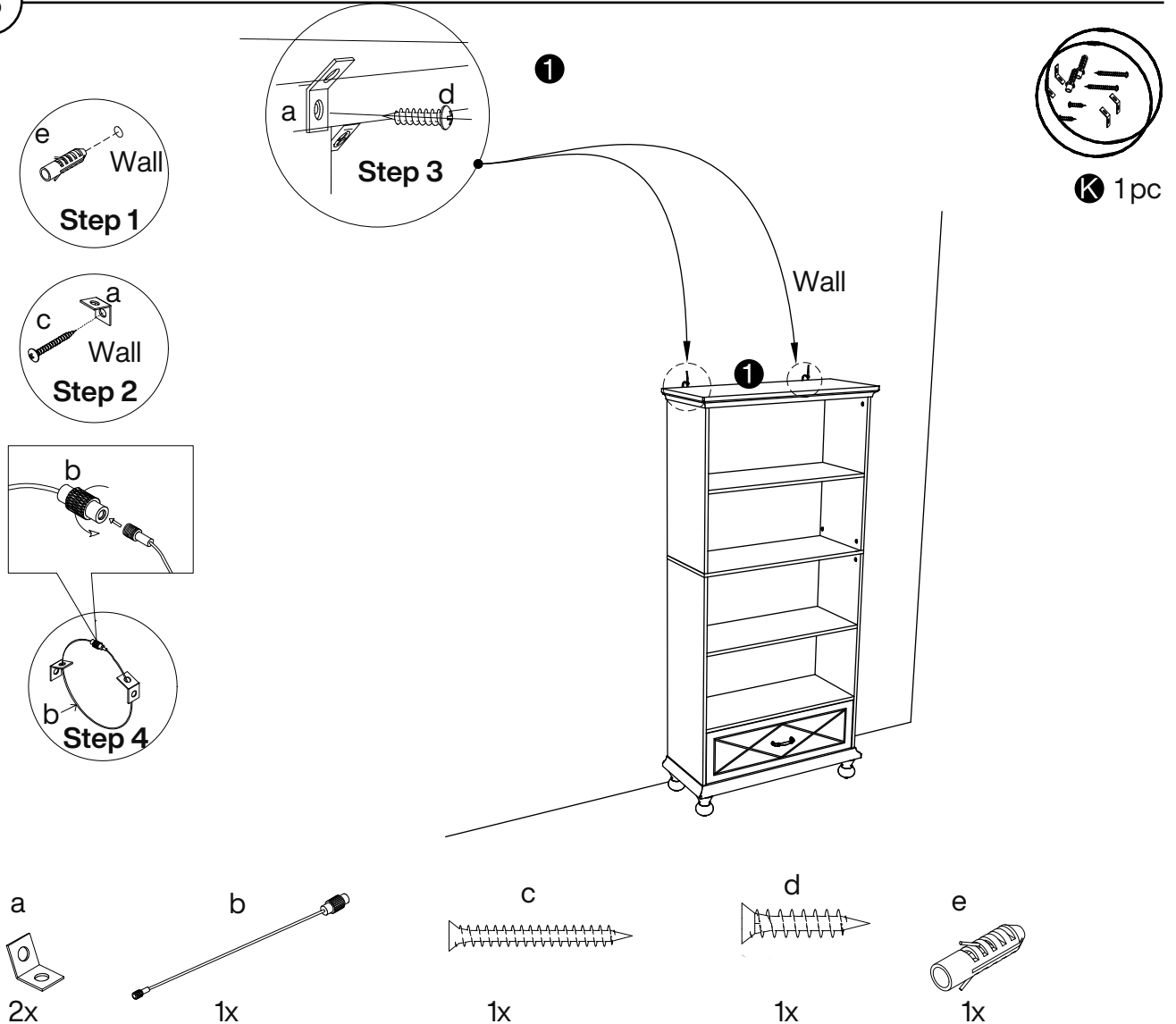
D

30pcs

E

30pcs



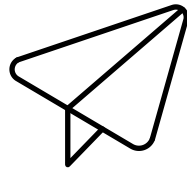


Installation Steps:

1. Drill a hole on the wall, insert the expansion bolt (e) into the hole
2. Secure one bracket (a) into the expansion bolt (e) using the screw (c)
3. Position the furniture in place. Attach another bracket (a) (aligns with the bracket on the wall) to the back edge of unit top using the screw (d).
4. Thread the male end of the steel cable (b) through both brackets. Securely join the ends by turning the female connector clockwise.

Note:

Before installing the anti-tip kit, please determine where the furniture is to be placed and locate the center line of a wooden stud using a stud finder.
For a concrete wall, ensure no steel bars inside it.



No heartburn, when we handle the return

Our way



Replacement/Refund



You

Their way



Re-package item



Schedule pick-up



Track package



Replacement



You
