

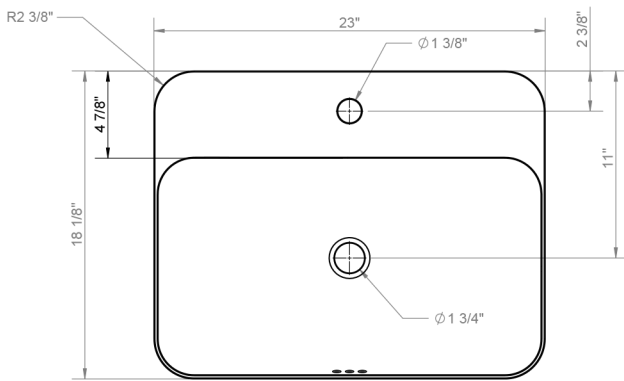
ST-2318

FEATURES:

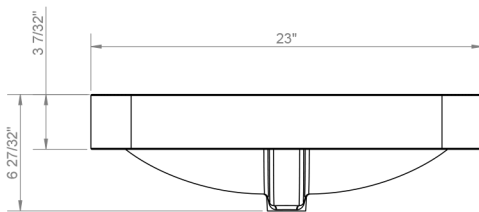
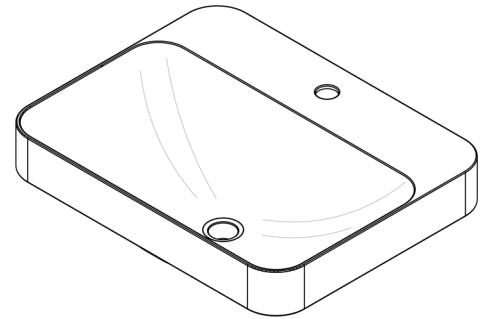
- * Sink Size: 23" x 18-1/8" x 6-7/8"
- * Material: Solid Surface
- * Matte Finish
- * Semi-recessed Countertop Sink
- * For Drains with Overflow
- * For Use With Standard Pop-up Drain
- * Warranty: One Year Limited Warranty

CODES / STANDARDS APPLICABLE

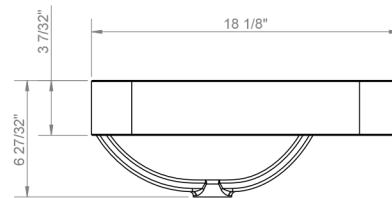
- * CSA B45
- * ASME A112.19.2



TOP VIEW



FRONT VIEW



SIDE VIEW

JOB INFORMATION:

Job Name _____

Date Specified _____

Contractor _____

Specifications and drawings provided on this sheet are for illustration only. Cantrio Concepts will not be held responsible for cutouts made without the actual product or product template.

Dimensions may vary within industry standard tolerances. Cantrio Concepts reserves the right to make changes without notice.