
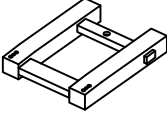
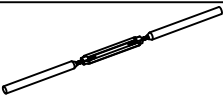


ASSEMBLY INSTRUCTIONS





Thank you for purchasing this quality product . Be sure to check all packaging material carefully for small parts that may have come loose inside the carton during shipment .

"Hardware is attached underneath the seat bottom"

Components List :

NO	DESCRIPTION	SKETCH	QTY
A	Seat Frame		1pc
B	Chair Leg		2pcs
C	Metal Pipe		1pc

Hardware List :

NO	DESCRIPTION	SIZE	SKETCH	QTY
1	Allen Key	58x23x4 mm		1pc
2	Bolt	1/4" x85		8pcs
3	Spring Washer	5/16" x Ø12		8pcs
4	Flat Washer	1/4" x Ø12		8pcs

Reminders

1. Use only the hardware supplied.
2. Once the chair is finished, level and tighten all the bolts.
3. Do not over-tighten bolts.
4. This item may require periodic tightening.

NOTE :

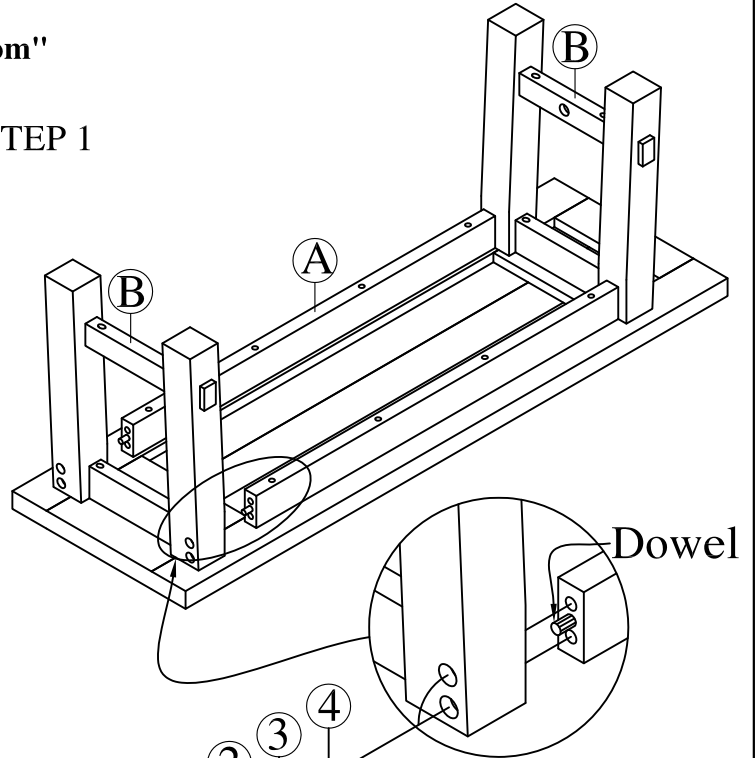
1. Hardware pack is located underneath the Seat Frame (A)
2. Two or more people are needed for assembly. Please keep all hardware parts out of the reach of children.

Step 1: Place the Seat Frame (A) up side down on the floor with a piece of cloth or carpet underneath to prevent the finish from scratching. Attach the Chair Leg (B) to the Seat Frame (A) and secure with Flat Washer (4), Spring Washer (3) and Bolts (2). Tighten Bolts (2) with Allen Key (1). Repeat this step for the rest of the legs.

Step 2: Attach the Metal Pipe (C) to the Chair Leg (B) and twist the Metal Pipe (C) in the reverse direction.

Assembly is now complete
Thank you for choosing this product.

STEP 1



STEP 2

