

3 PCS OCCASIONAL TABLE SET

ASSEMBLY INSTRUCTIONS



ASSEMBLY TIPS:

1. Remove hardware from box and sort by size
2. Please check to see that all hardware and parts are present prior to start of assembly.
3. Please follow attached instruction in the same sequence as numbered to assure fast & easy assembly.

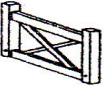





Warning!

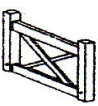
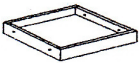


1. Don't attempt to repair or modify parts that are broken or defective. Please contact the store immediately.
2. This product is for home use only and not intended for commercial establishment

PARTS IDENTIFICATION









(COFFEE TABLE)

A		COFFEE TABLE LEG FRAME	2PCS
B		COFFEE TABLE SHELF	1PC
C		COFFEE TABLE APRON	2PCS
D		COFFEE TABLE TOP PANEL	1PC

(END TABLE X 2PCS)

E		END TABLE LEG FRAME	4PCS
F		END TABLE SHELF	2PCS
G		END TABLE APRON	4PCS
H		END TABLE TOP PANEL	2PCS

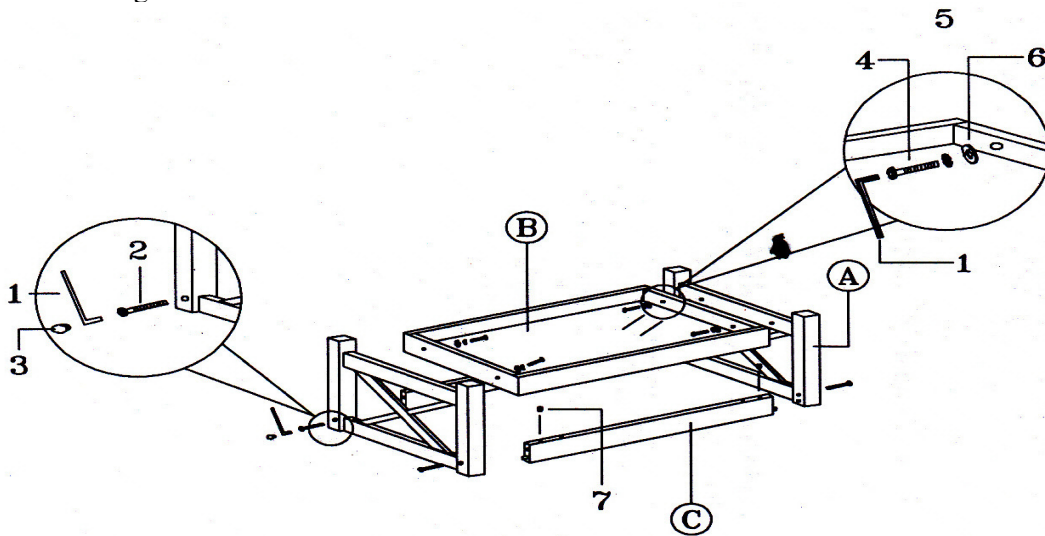
HARDWARE IDENTIFICATION

1		ALLEN WRENCH	1PC
2		LONG BOLT	12PCS
3		WOOD PLUG	12PCS
4		SHORT BOLT	12PCS
5		LOCK WASHER	12PCS
6		FLAT WASHER	12PCS
7		BARREL NUT	12PCS
8		SCREW	14PCS

COFFEE TABLE

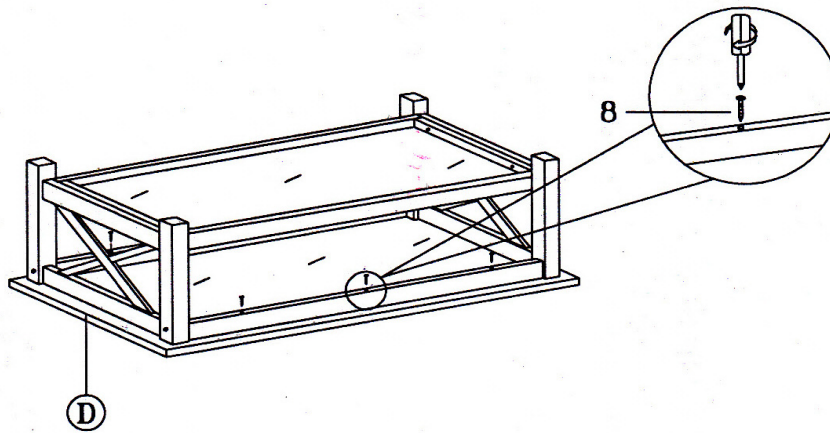
STEP 1

Align and hand tighten leg frame to shelf using short bolt, lock washer and flat washer. Align and hand tighten apron to leg frames using long bolt and barrel nut. Tighten all bolts with Allen wrench. Insert wood plug to cover the hole in the leg.



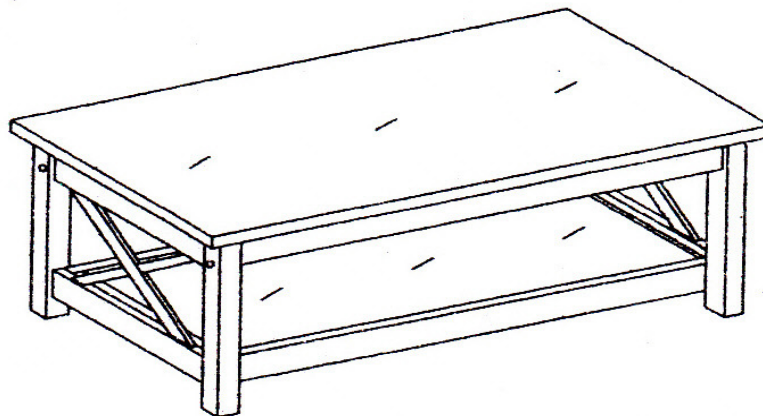
STEP 2

Place top panel upside down on soft surface. Align and fasten top panel to apron using screw and tighten with screw driver (Not Included).



STEP 3

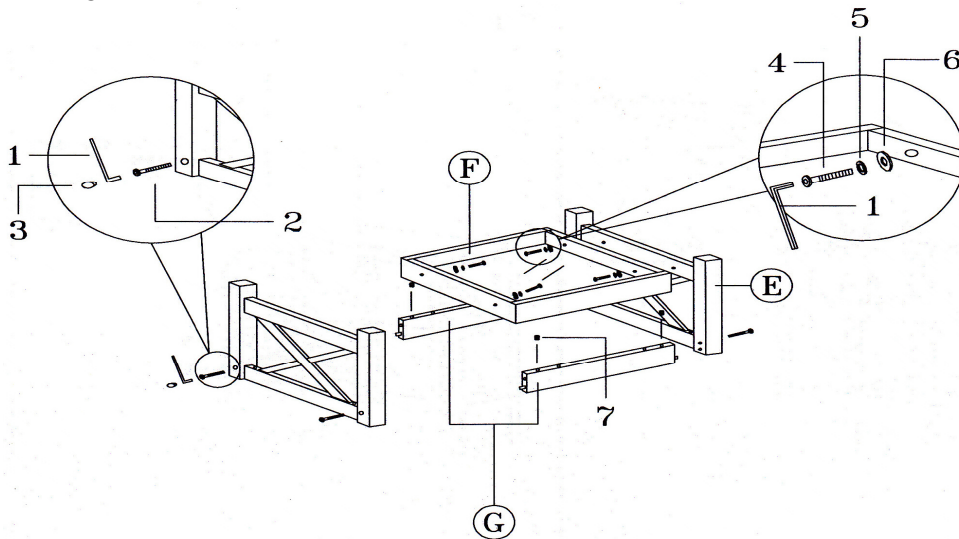
Flip table over using two people to lift and flip this table.



END TABLE

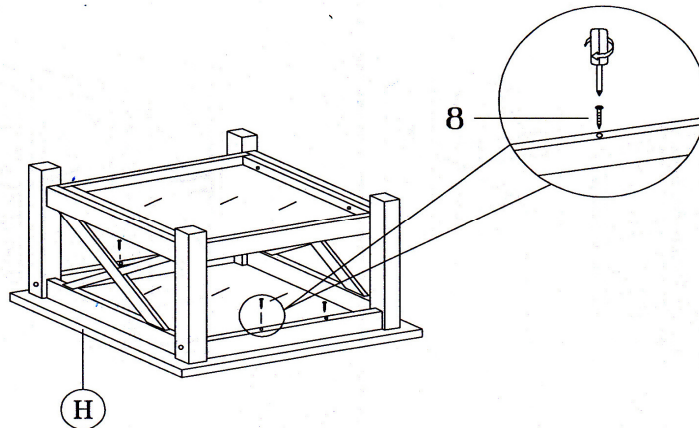
STEP 1

Align and hand tighten leg frame to shelf using short bolt, lock washer and flat washer. Align and hand tighten apron to leg frames using long bolt and barrel nut. Tighten all bolts with Allen wrench. Insert wood plug to cover the hole in the leg.



STEP 2

Place top panel upside down on soft surface. Align and fasten top panel to apron using screw and tighten with screw driver (Not Included).



STEP 3

Flip table over using two people to lift and flip this table.

