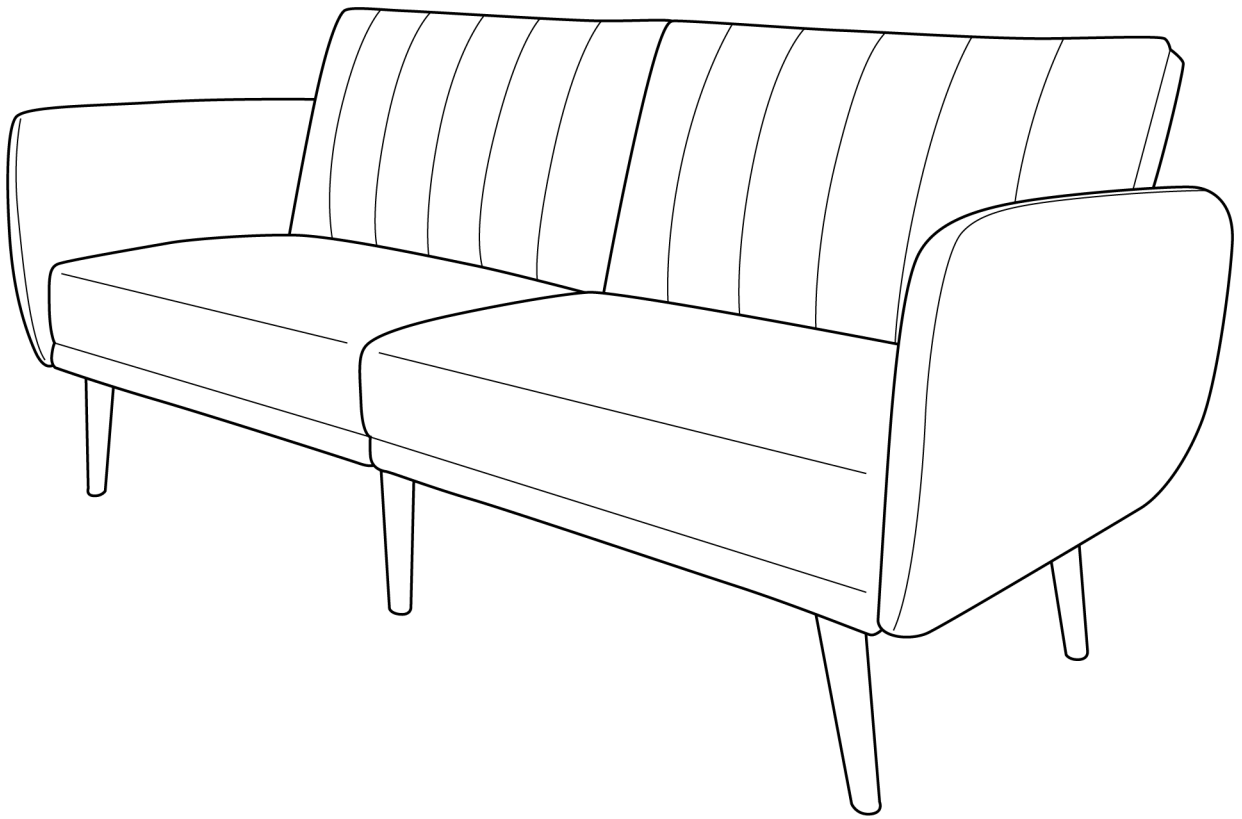


# Sofa Bed





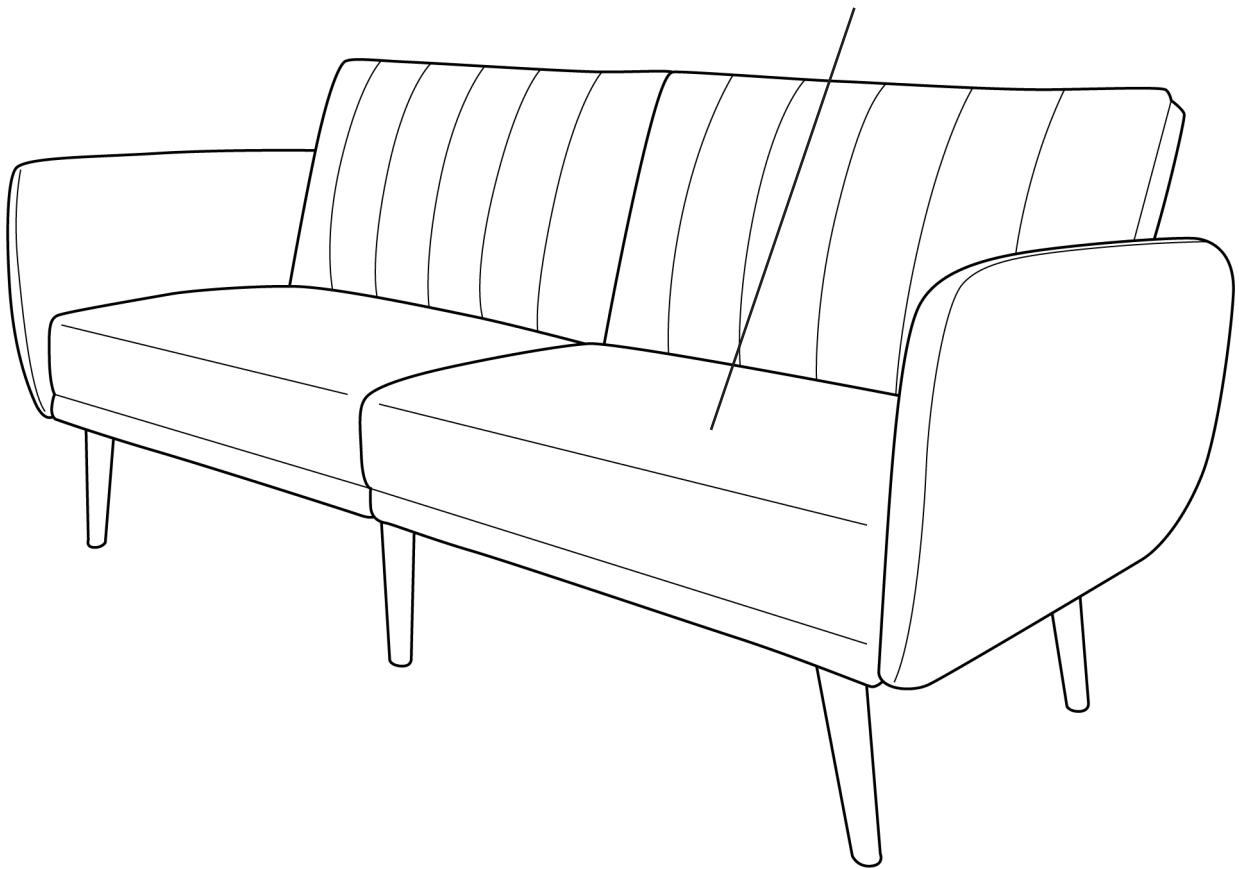
Estimated time for assembly:

**15 mins**



Weight limitations are as follows:

Maximum Load  
600 lb





Assemble the furniture on an empty carton, carpet, or rug to prevent scratches or damage.

For safety, please keep pets and children away from the assembly area.

Ensure the product is fully assembled before use. If you are missing any hardware or products, do not use it until you have restored the missing parts.



This furniture requires 2 people for assembly.

Read this instruction manual prior to assembly to familiarize yourself with the various steps.

Lay out all components and hardware separately on a flat surface and make sure that no parts are missing or damaged before assembly. Do not destroy or discard any packaging until you are certain that you have all the necessary parts for assembly.

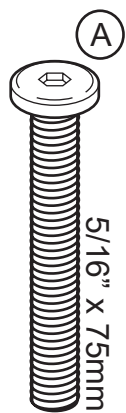
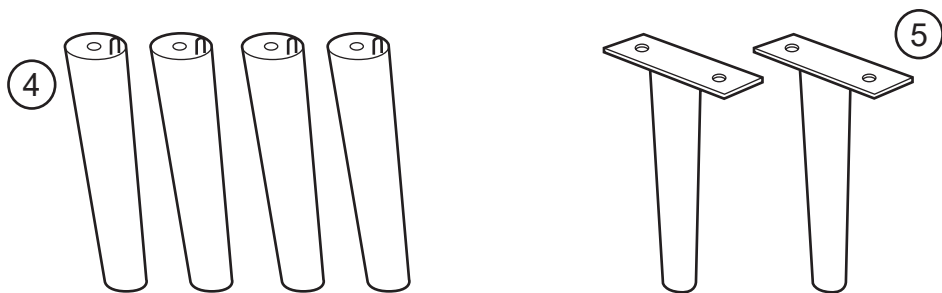
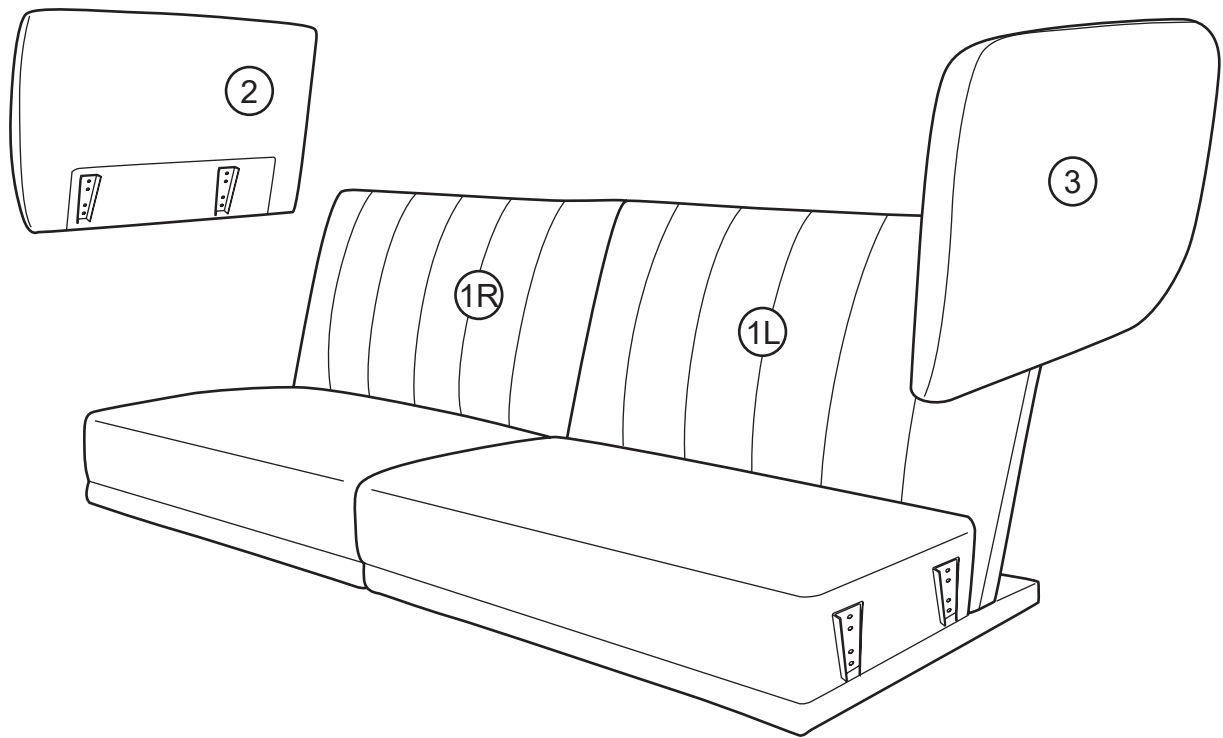
Hand tight all hardware and careful not to over tighten to avoid damaging the product.

## **CAUTION**

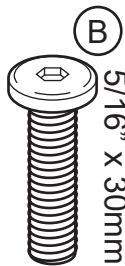
There are small components used in the construction of this product. Loose items should be kept away from pets and children to avoid a choking hazard.

Keep all plastic bags and packaging film away from pets and children to avoid suffocation.

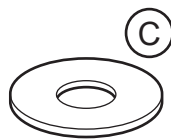
# PACKAGE CONTENT



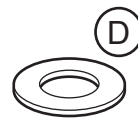
6x



4x



6x



4x



10x



Install all hardware perpendicular to the opening.

## PACKAGE CONTENTS (BOX A)

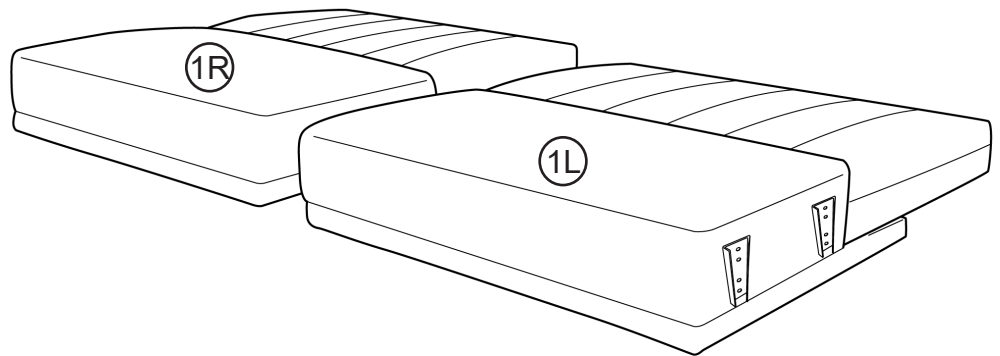
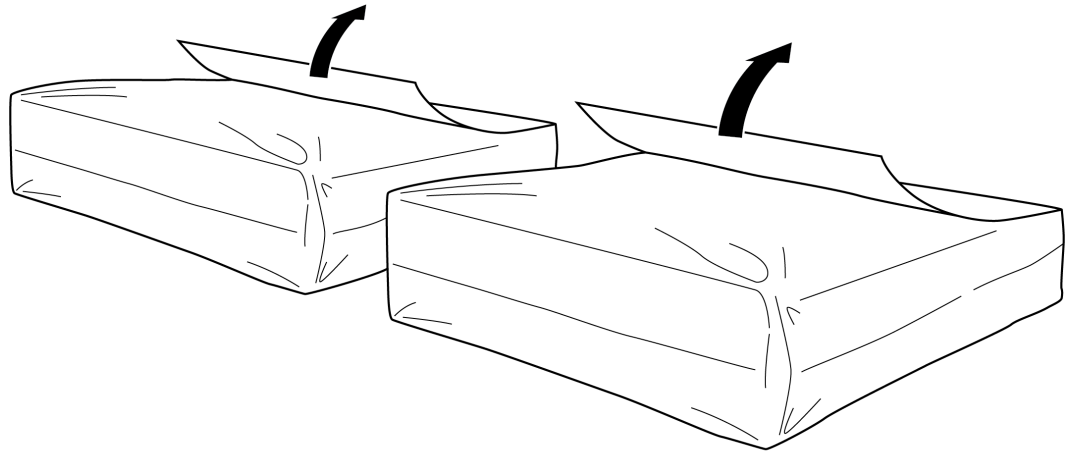
CODE	DESCRIPTION	QTY
1R	Right Seat	1
2	Right Arm Rest	1
4	Leg	4
5	Support Leg	2
A	5/16" x 75mm Bolt	6
B	5/16" x 30mm Bolt	4
C	Ø22mm Washer	6
D	Ø16mm Washer	4
E	Spring Washer	10

## PACKAGE CONTENTS (BOX B)

CODE	DESCRIPTION	QTY
1L	Left Seat	1
3	Left Arm Rest	1

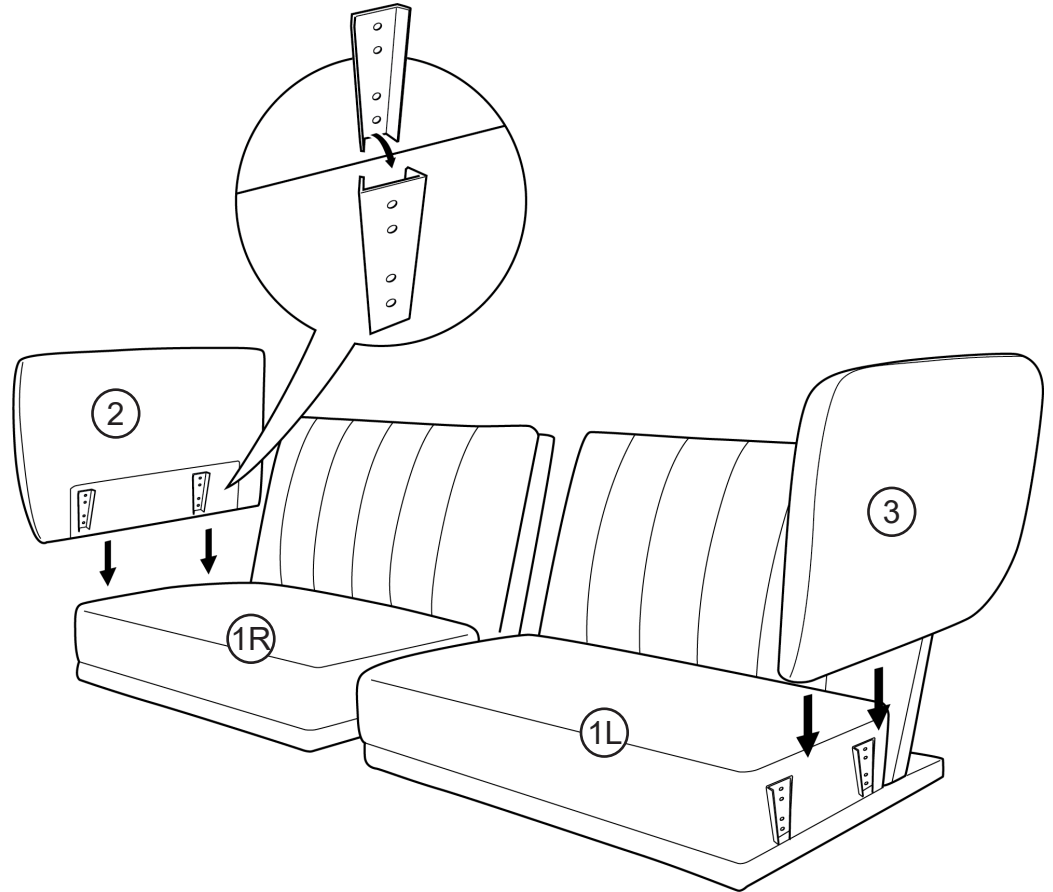
1

Remove the sofa parts from the packaging.



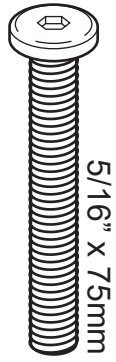
# 2

Slide the right arm rest (2) to the right seat (1R) and the left arm rest (3) to the left seat (1L).



# 3

Flip the sofa on its back and secure the arm rests on the seat .



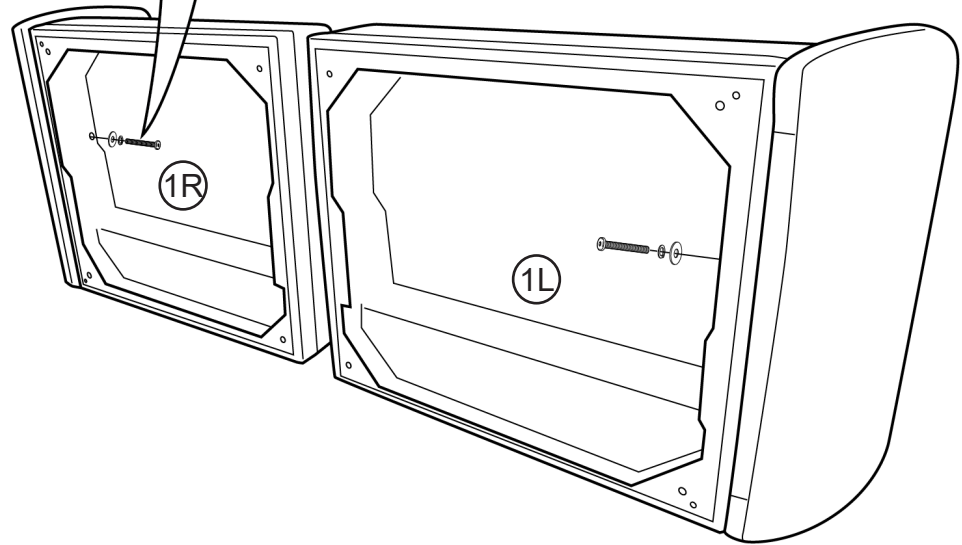
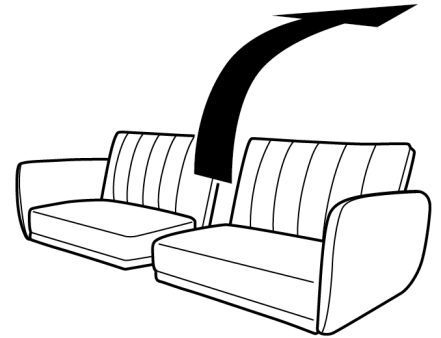
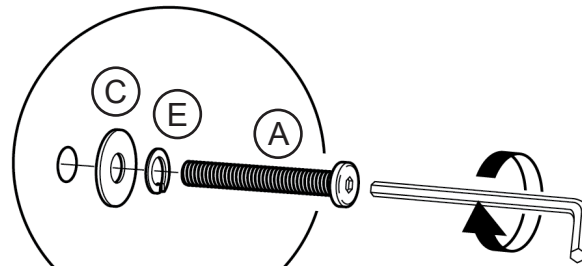
(A) 2x



(C) 2x

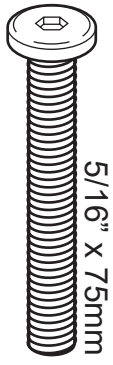


(E) 2x



# 4

Attach legs (4) at the four corners of underneath the seat.



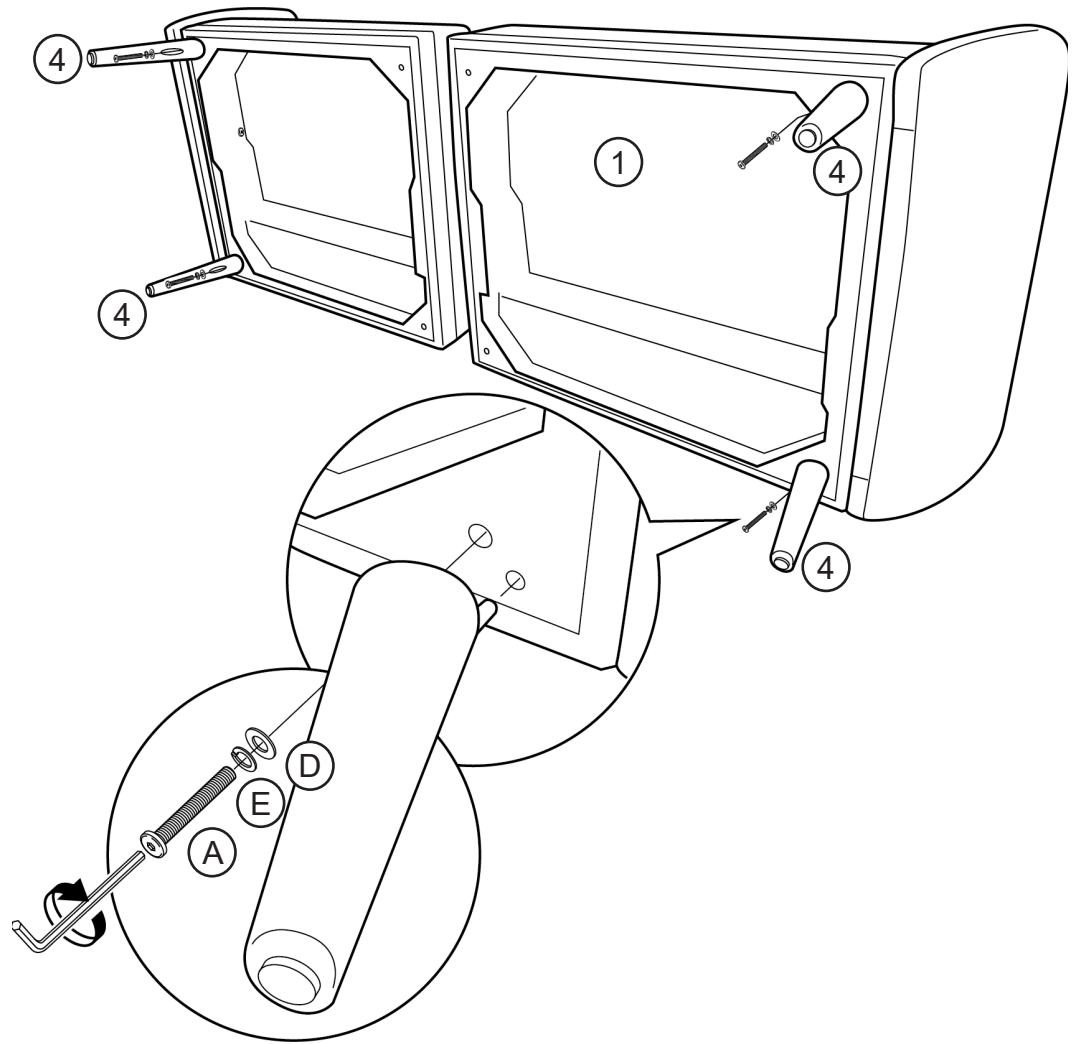
(A) 4x



(D) 4x

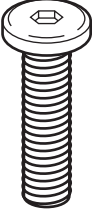





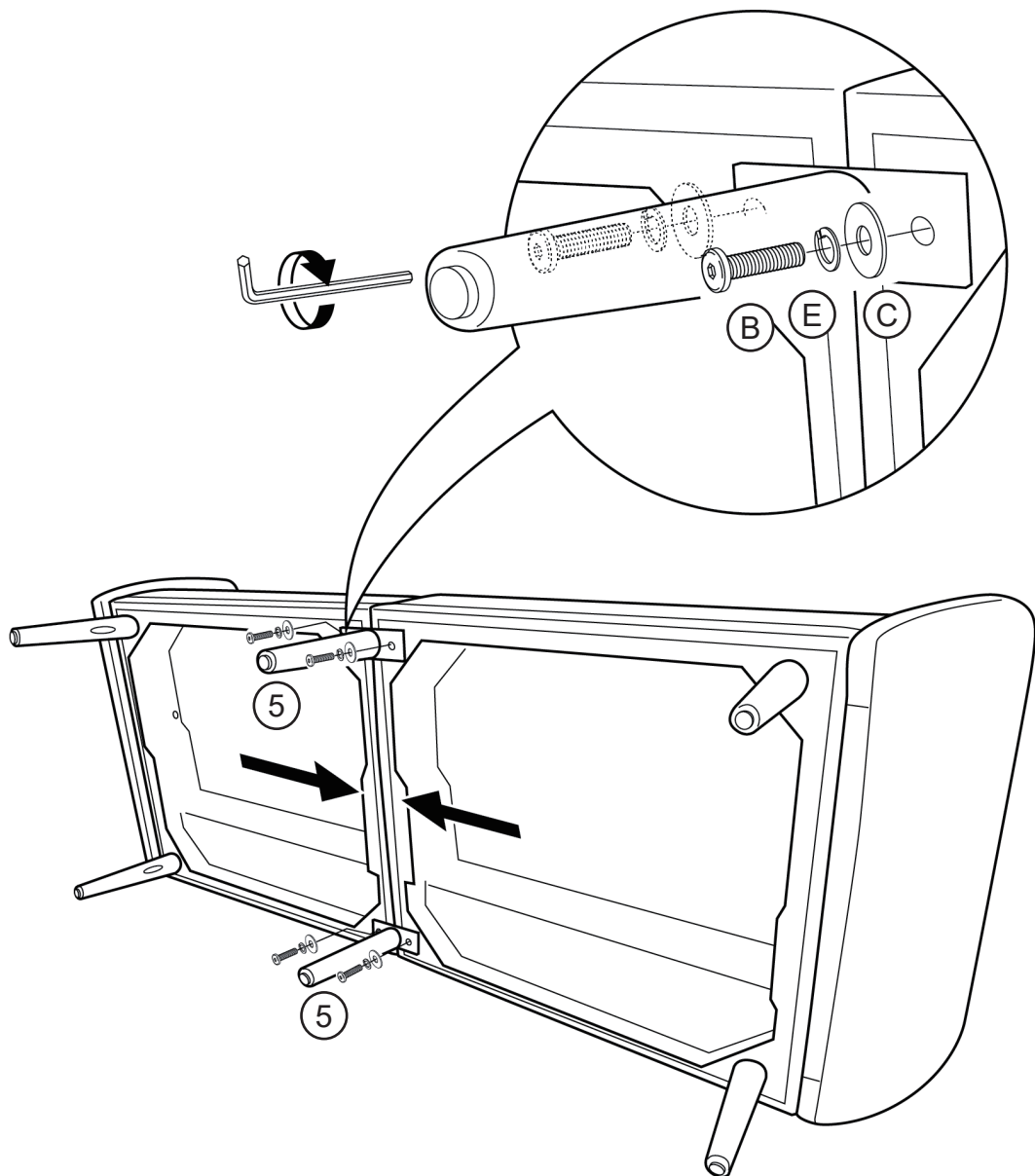
(E) 4x



# 5

Push the left and right seats together, then attach the support legs (5) underneath the seat.

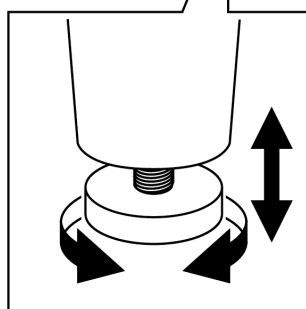
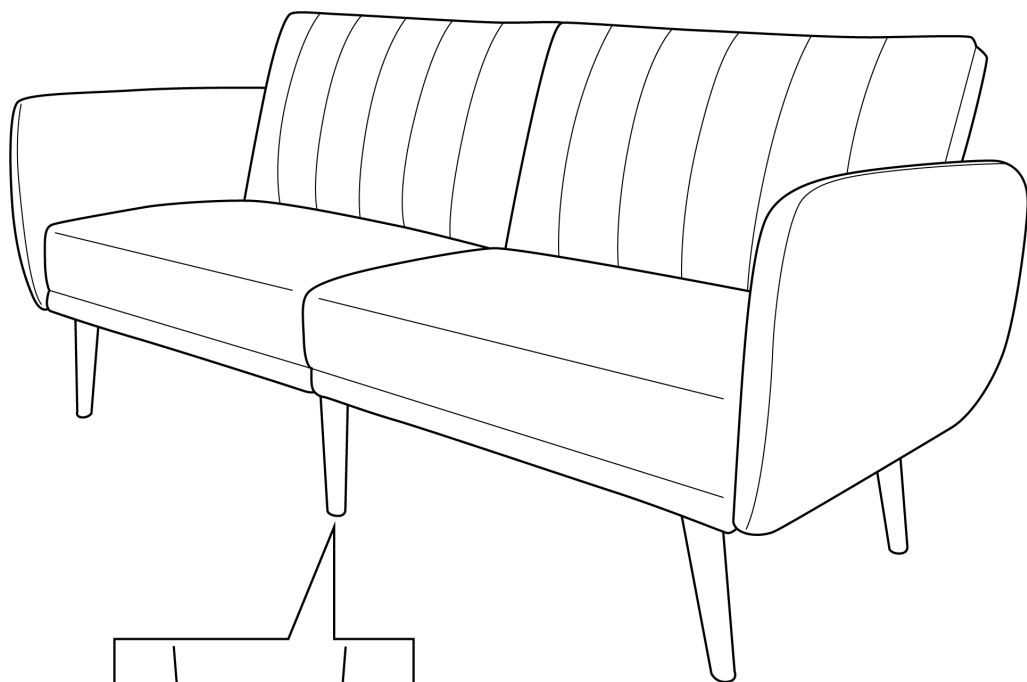
-  5/16" x 30mm
-  (B) 4x
-  (C) 4x
-  (E) 4x



NOTE: Push the left and right seat toward each other tightly, then attach the center legs.

# 6

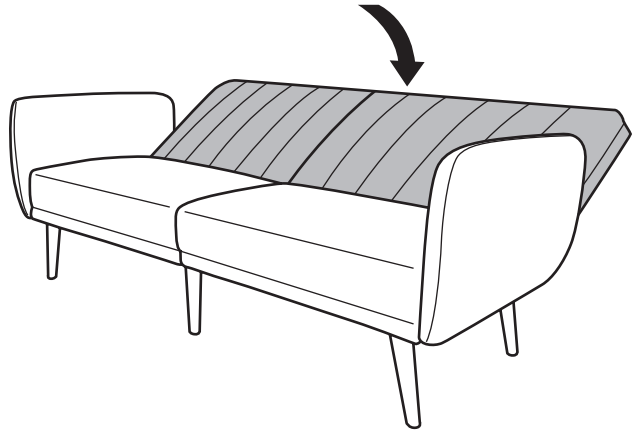
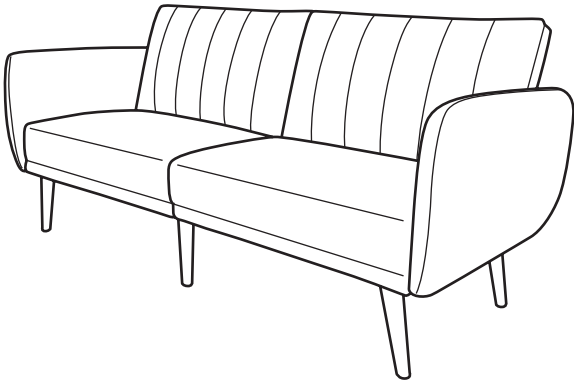
Put the sofa back on its up right position. Make sure the sofa is leveled on the floor. Adjust the foot leveler if necessary.



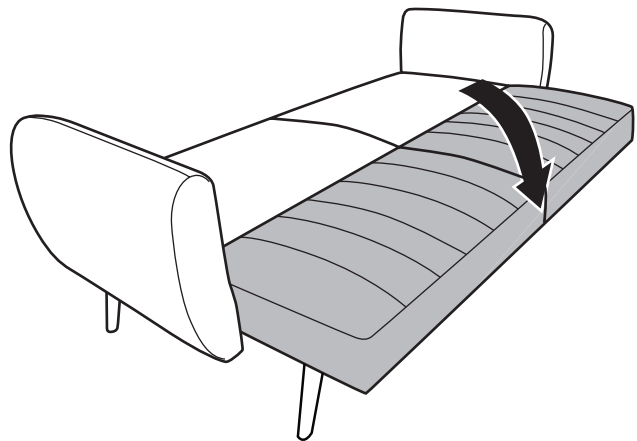
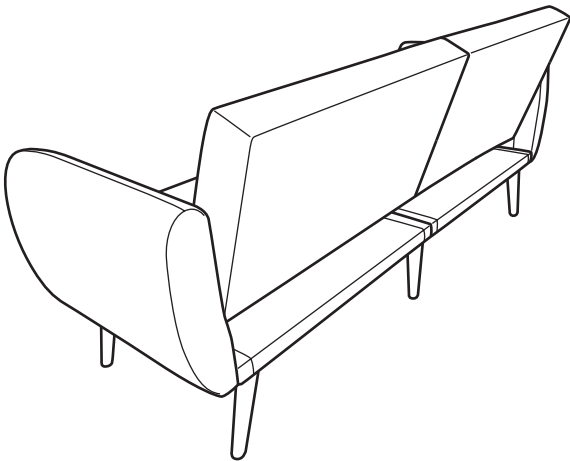
**YOU'RE FINISHED!**



You can recline the sofa to a lower position.



You can lay the back of the sofa flat.



## FURNITURE CARE AND MAINTENANCE

Thank you for your purchase. We want your item to last as long as possible. To ensure the product gives you years of longevity, please follow the recommendations in this care and maintenance guide.



### MAINTENANCE

- Tighten all bolts and screws again within the first 2 weeks of assembly.
- Check the tightness of all bolts every 2 months and tighten them if necessary.



### CLEANING

- Clean the furniture surface with a lightly dampened cloth or soft brush.
- Regularly clean the cloth surface with a vacuum cleaner.
- Dry the surface immediately after cleaning.

⚠ DO NOT use bleach or alcohol to clean the surface.

### ⚠ WARNING

The manufacturer and seller are not responsible for any and all liability relating to personal injury, property damage or losses, whether direct, indirect, or incidental, resulting from the incorrect attachment, improper use, inadequate maintenance, unapproved modification or neglect of this product.

# WARRANTY

Our products come with a 1-year warranty from the date of delivery. **Register your product on our website to enjoy our limited lifetime warranty!**

## AFTER-SALE SERVICE



Encounter any difficulties or missing parts?



Contact us or email us



We will send you replacement.



Hassle free!  
No need to worry about repackaging and sending your item back.