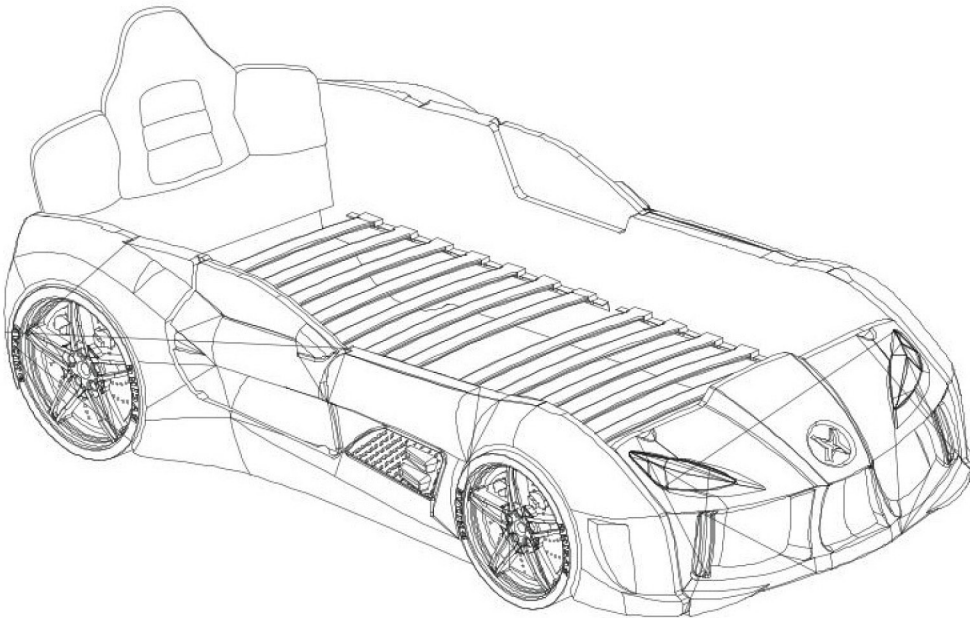
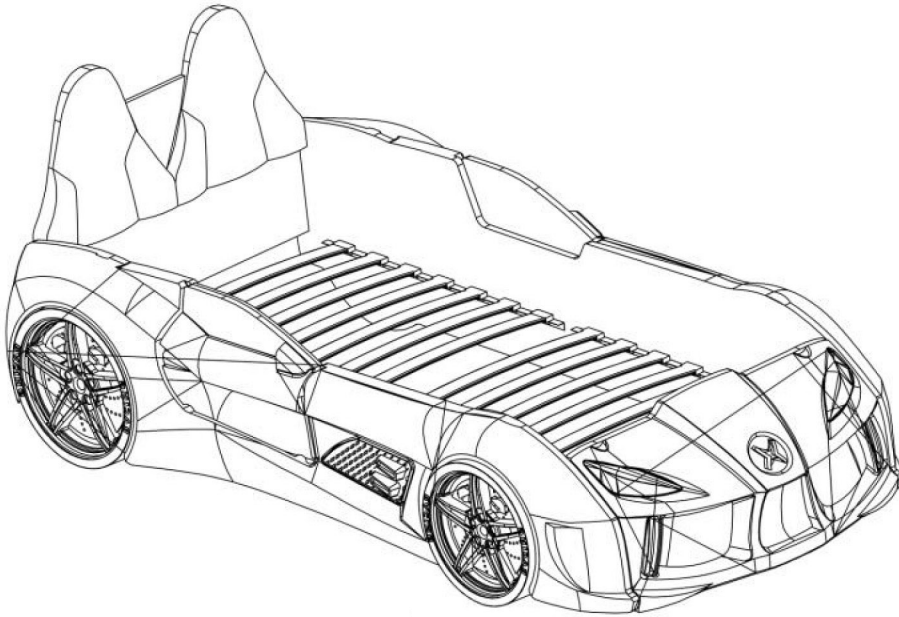
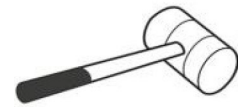

ASSEMBLY INSTRUCTIONS



TOOLS REQUIRED



Rubber Mallet
(Not Included)



Screwdriver
(Not Included)



2 - Persons
Recommended

ASSEMBLY RATING



EASY —————> DIFFICULT

The Assembly Rating is a 5-point system showing the level of effort needed to assemble a specific product.





CHECK BEFORE STARTING

Are you missing anything?

Double-check all parts, hardware and accessories listed on Page 6 are accounted for.

Check out our Quick Tips!

We recommend reviewing the pre-assembly handouts. Even experts need a refresher now and then!

Should we send any replacements?

Are there any irregularities or flaws in the parts? We can send replacements!

Prep Time!

Please review the assembly instructions and all diagrams prior to assembling. Arrange parts as recommended on Page 7 and group identical hardware together to make assembling easier.

PRE ASSEMBLY INTRODUCTION

We understand building ready-to-assemble furniture can be a challenging experience for some. To help avoid confusion, we have provided some helpful tips that may speed up the process.



Teamwork

ALWAYS have at least two people to help with transporting and assembling the product to avoid potential injury and/or damage.



Suitable Location

Assembling near the area of the intended location is highly recommended.



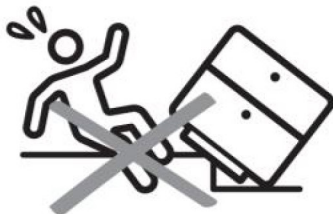
Sufficient Space

Make sure you have enough space to move around during the assembly.



Avoid Scratches

Use cardboard, blankets or a carpeted area while assembling furniture to prevent scratches.



Flat Surface

Make sure the furniture rests on a flat and level surface with each leg evenly touching the floor.

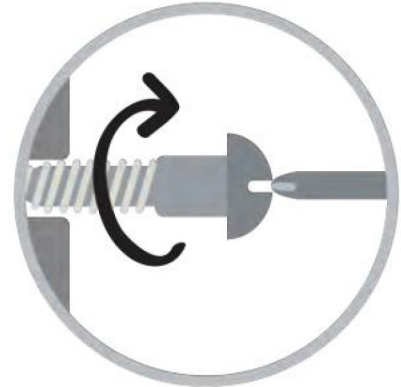
ASSEMBLY AND CARE ADVICE



FAILURE TO FOLLOW THE GUIDELINES BELOW MAY RESULT IN INJURY AND/OR PROPERTY DAMAGE.



Position each part correctly and insert screws or bolts into their respective holes.



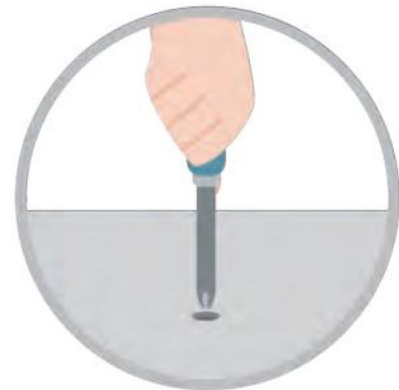
Turn clockwise to tighten and only tighten when step is completed or when instructed to do so.



Use the appropriate hand tools or power tools for assembly. Select steps, such as tightening screws and/or bolts, may require hand tools to avoid causing damage during assembly.



Save the instructions and store any supplied tools for later maintenance.



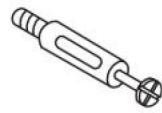
After two weeks, check and tighten any loose hardware and repeat again every six months thereafter.

IT IS THE USER'S RESPONSIBILITY TO MAINTAIN THE FURNITURE. THE HARDWARE MAY LOOSEN OVER TIME AND MAY CAUSE THE FURNITURE TO BE WOBBLY AND UNABLE TO SUPPORT ITS INTENDED WEIGHT CAPACITY. THIS MAY LEAD TO COLLAPSE AND MAY CAUSE SERIOUS INJURY.

CAM LOCK FASTENER ASSEMBLY INSTRUCTIONS

Note :

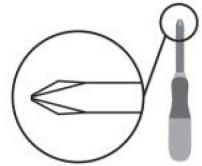
Every cam lock bolt must have a cam lock connector in order to fasten the parts together.



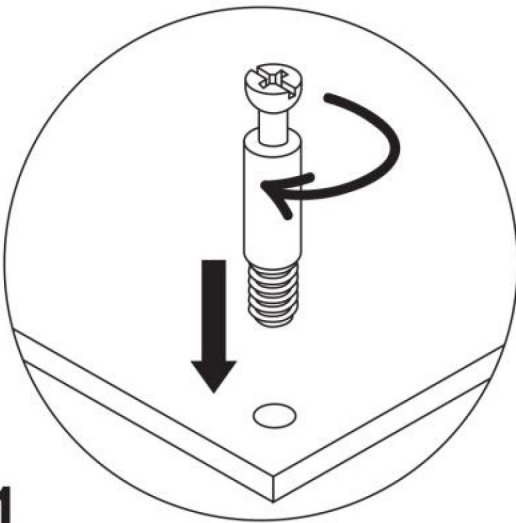
cam bolt



cam lock

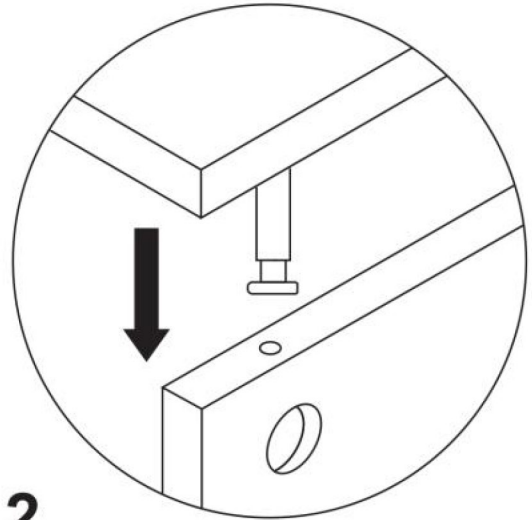


screwdriver



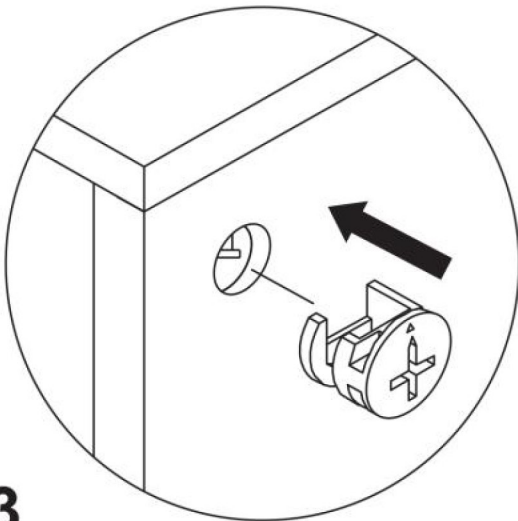
1

Screw the cam bolt into panel.



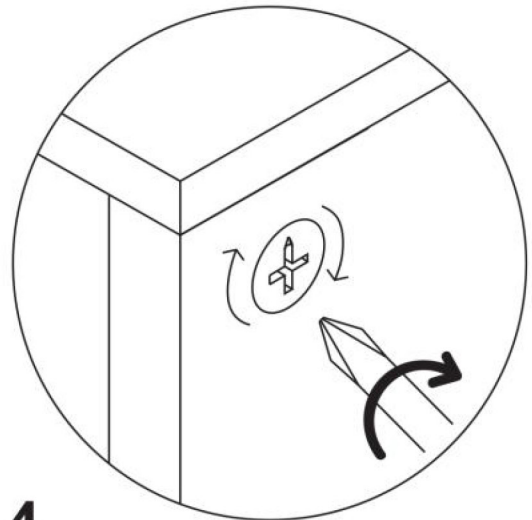
2

Insert the cam bolt into the bolt hole of joint panel.



3

Align the cam lock with its side opening (or arrow) pointing to cam bolt.



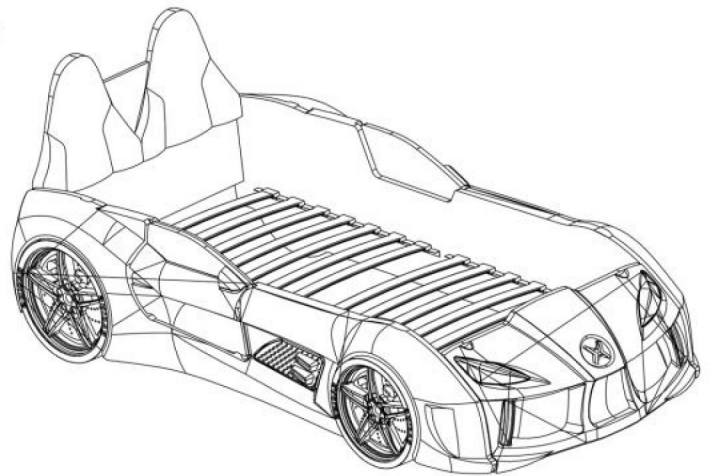
4

Turn the cam lock clockwise gently until it will not turn any more.

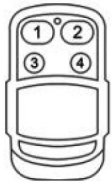
RACE CAR BED



- Please keep instructions for future reference.
- Check the quantity and irregularity of parts and hardware before you start.



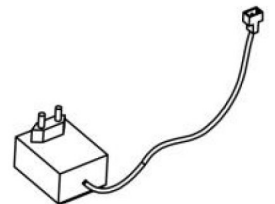
PARTS



#1 x 1pc
Remote Control



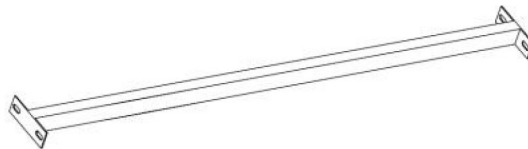
#2 x 14pcs
Slat



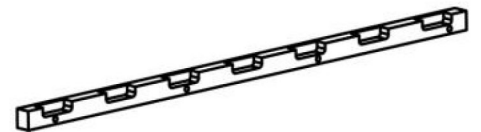
#3 x 1pc
Adapter



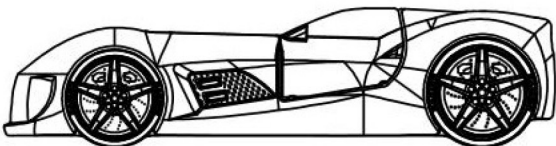
#4 x 28pcs
Slat Connector



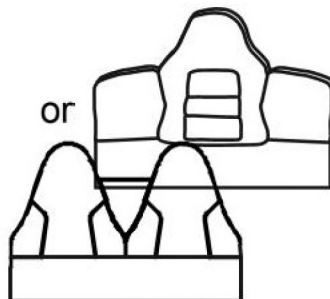
#5 x 1pc
Support Rail



#6 x 4pcs
Slat Holder



#7 x 2pcs
Side Panel (R/L)

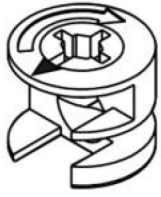


#8 x 1pc
Back Panel

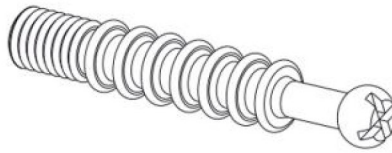


#9 x 1pc
Front Panel

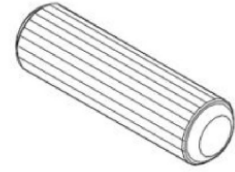
HARDWARE



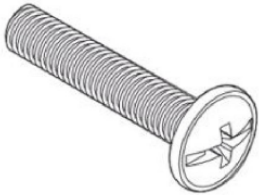
#A x 4pcs
Cam Lock



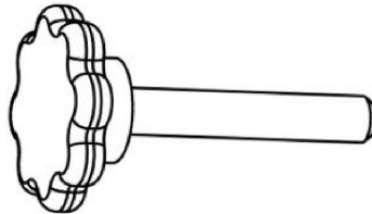
#B x 4pcs
Cam Bolt



#C x 4pcs
Dowel



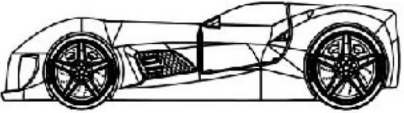


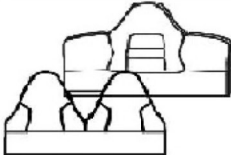






#D x 16pcs
Bolt M6x35



#E x 6pcs
M6 Knob Bolt



#F x 4pcs
Bolt M6x12

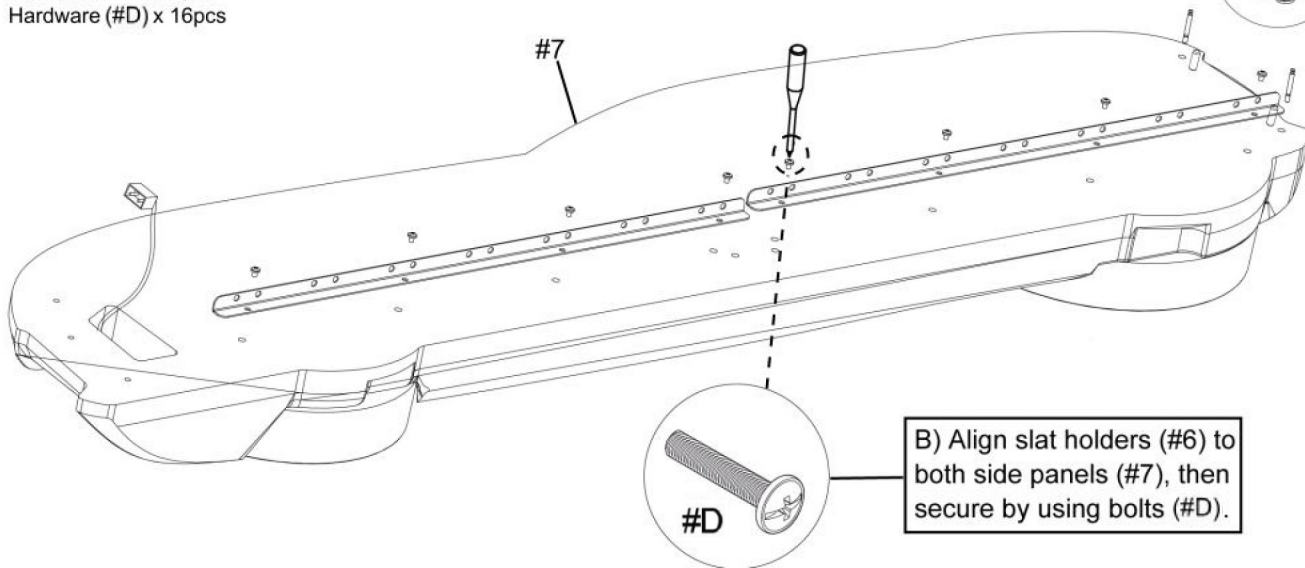
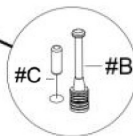
Carton	Designation	Part	
1	Side Panels (R/L)	#7	
2	Front Panel	#9	
	Assembly Instructions	AI	
3	Back Panel	#8	
4	Slat	#2	
	Slat Connector	#4	
	Support Rail	#5	
	Slat Holder	#6	
	Remote Control	#1	
	Adapter	#3	

ASSEMBLY INSTRUCTIONS

1

- Part (#6) x 4pcs
- Part (#7) x 2pcs
- Hardware (#B) x 4pcs
- Hardware #C) x 4pcs
- Hardware (#D) x 16pcs

A) Insert dowels (#C) onto the side panels (#7), then secure cam bolts (#B) onto side panels (#7) by using a screwdriver.

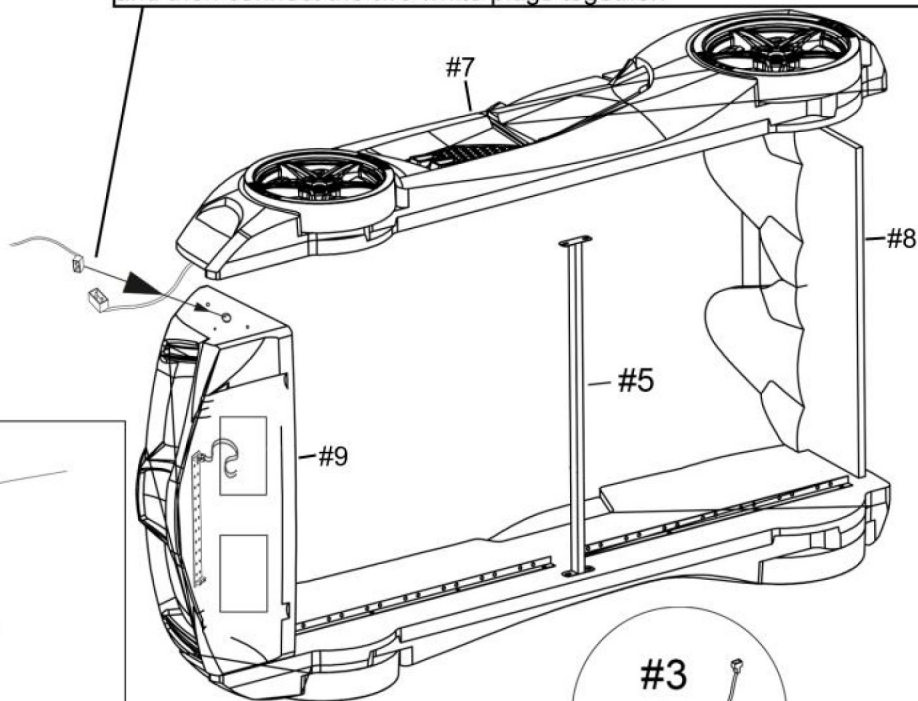
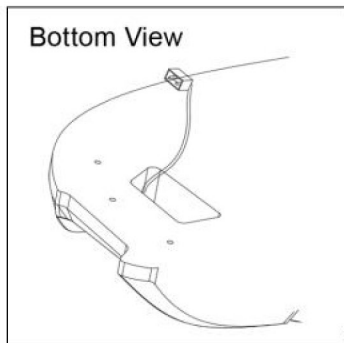


B) Align slat holders (#6) to both side panels (#7), then secure by using bolts (#D).

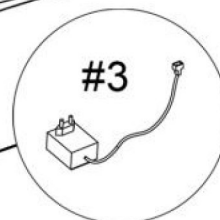
2

- Part (#3) x 1pc
- Part (#5) x 1pc
- Part (#7) x 2pcs
- Part (#8) x 1pc
- Part (#9) x 1pc

A) Insert the pre-attached white plug wire of the side panels (#7R/L), loop it through the hole located on the side of the front panel (#9) and then connect the two white plugs together.



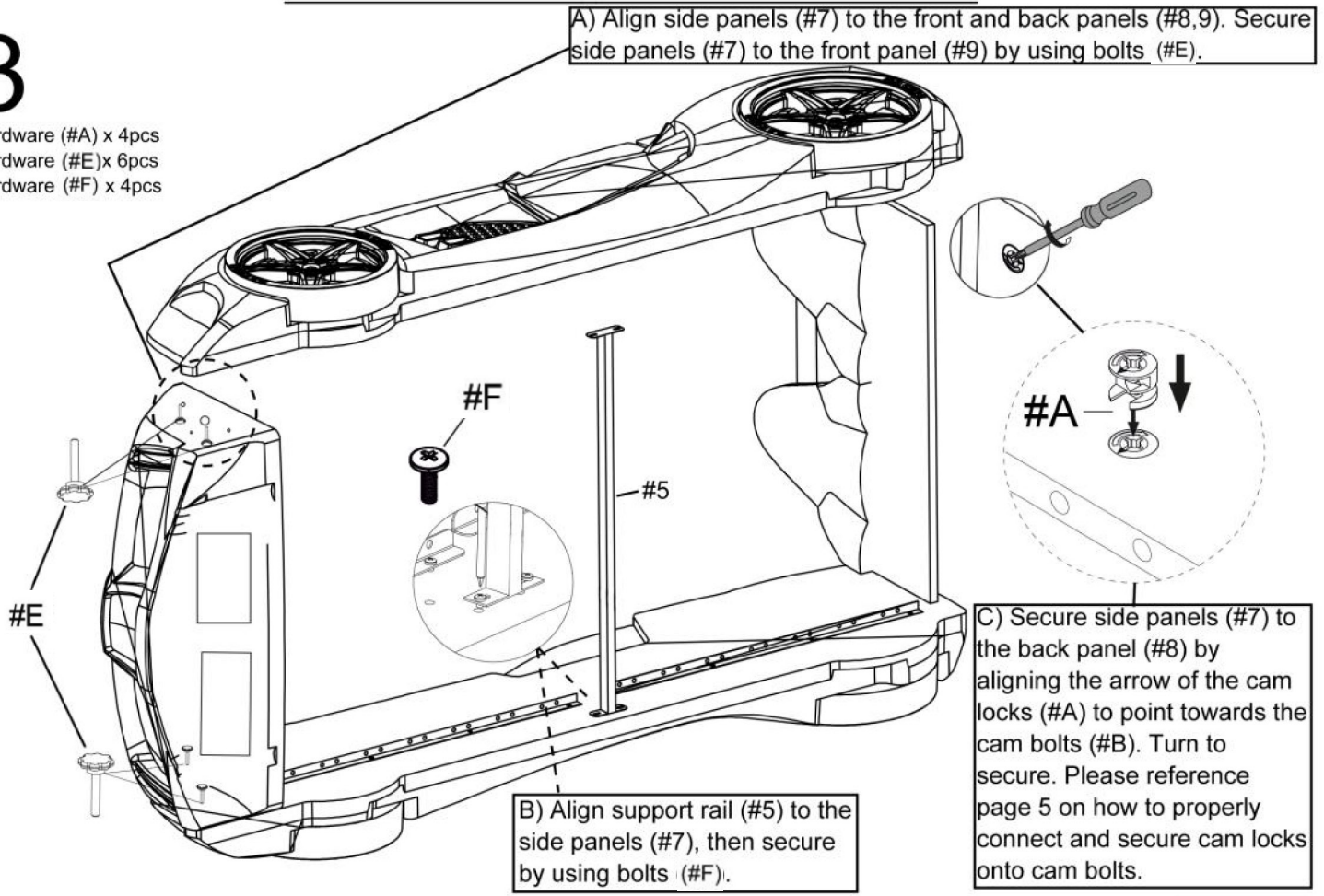
B) Attach adapter (#3) to the black cylinder plug inside of the front panel (#9).



ASSEMBLY INSTRUCTIONS

3

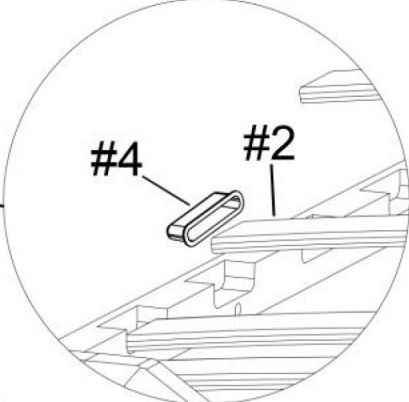
Hardware (#A) x 4pcs
 Hardware (#E) x 6pcs
 Hardware (#F) x 4pcs



4

Part (#1) x 1pc
 Part (#2) x 14pcs
 Part (#4) x 28pcs

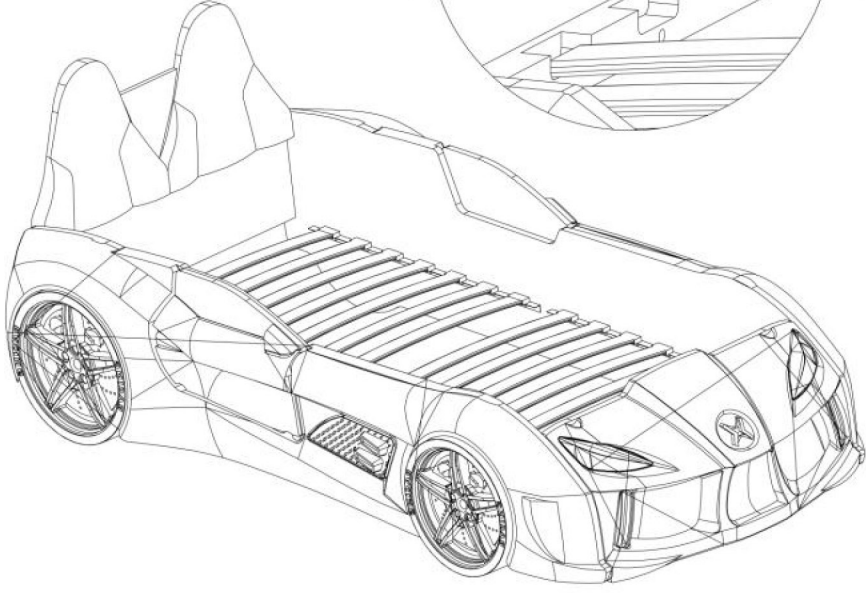
Attach slat connectors (#4) to the slats (#2), then place the slats (#2) to the slat holder.



#1



Remote:
 Button 1) Play car lock sound / Universal Off
 Button 2) First Press: Turn on underglow lights
 Second Press: Turn on headlights
 Third Press: Turn on both underglow lights and headlights
 Fourth Press: Turn off all lights
 Button 3) Turn on flashing lights and play revving sound
 Button 4) Turn on all lights and play music



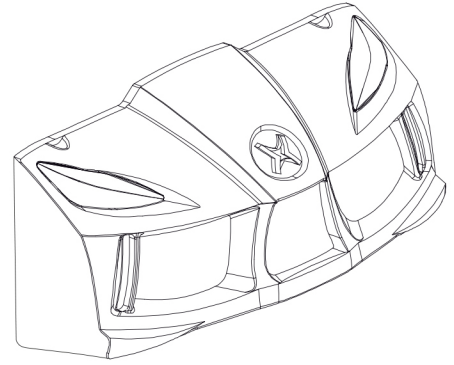
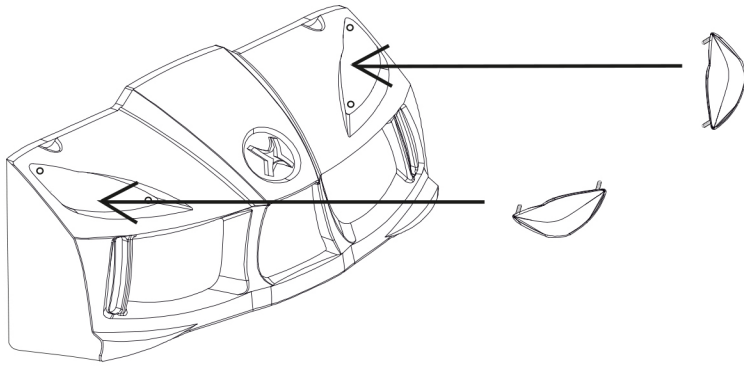
ASSEMBLY COMPLETED

Please ensure the furniture rests on an even and flat surface. If the product wobbles or feels loose, double-check all bolts and/or screws are properly tightened and secured.

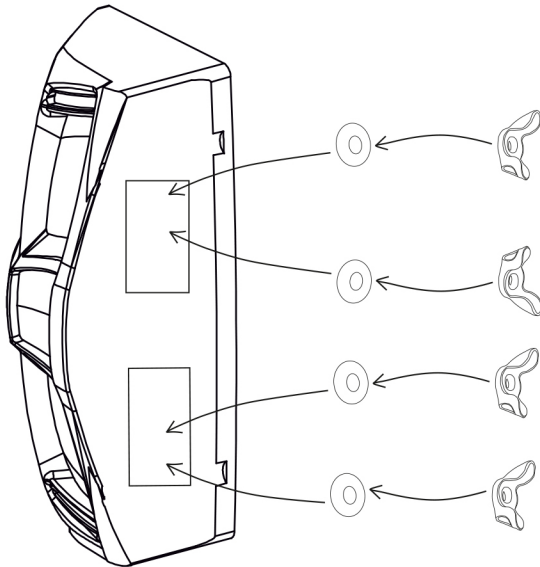
- ✓ **Keep this handy!**
Please retain this instruction manual and any order-related information for future reference.
- ✓ **Lift, don't drag!**
To avoid damage to product please always LIFT the product when transporting or adjusting the placement.

Headlight Shield Replacement

1



2



3

