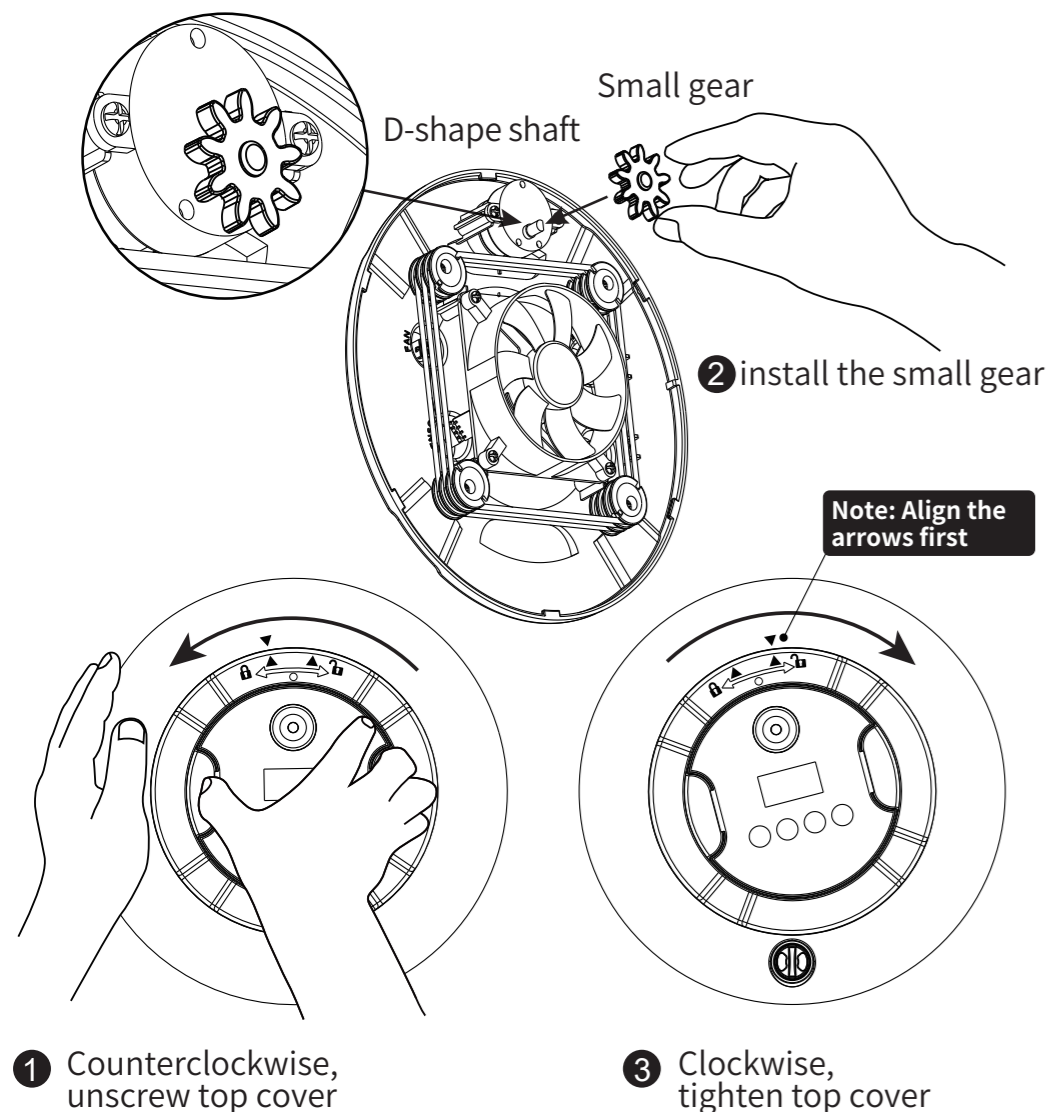


# DETACHABLE INCUBATOR - USER MANUAL

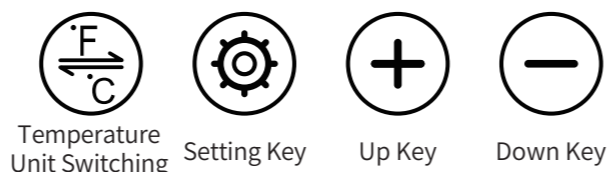
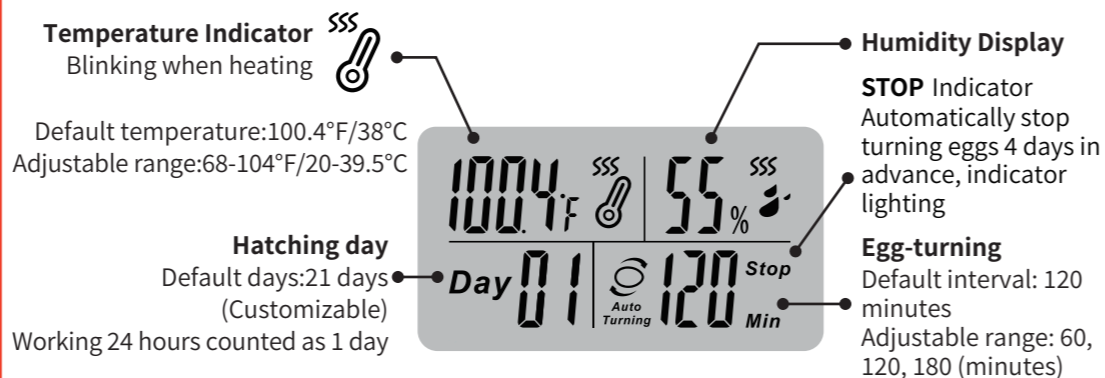
Model: 18H

For first time use, please install the small gear first.

**Method:** Unscrew the top cover counterclockwise, separate the top cover from the transparent cover, install the small gear on the "D-shape shaft" of the motor of the top cover, and then screw the top cover clockwise.



## 1) Control Panel & Function Introduction



FUNCTION	HOW TO OPERATE	EXPLANATION
<b>Temperature Unit Switching</b>	Press $\frac{F}{C}$ key	Choose the temperature unit as needed
<b>Temperature, Hatching days, Egg-turning interval settings</b>	Press once, to set the temperature Press twice, to set the hatching days Press thrice, to set the egg-turning intervals	Select the suitable incubation parameters according to the type of fertilized eggs (Auto-save and exit menu mode after 5 seconds of inactivity)
<b>Egg-turning Test</b>	Press $+$ key	After placing the eggs, press the egg-turning key to check that each egg is placed correctly and can be turned over smoothly.
<b>Candling Eggs</b>	Press $-$ key	Auto-off after 5 minutes of inactivity
<b>Restore Factory Settings</b>	long press $+$ + $-$ keys at the same time	<b>Please reset the incubator before each incubation</b>
<b>Automatic Stop Egg-turning</b>	No need to operate, the program automatically stops turning eggs 4 days in advance by default. 'STOP' indicator will light up and 'Auto Turning' indicator will go out.	For example, the incubation period for chicken eggs is 21 days, machine automatically stops turning the eggs from the 18th day.

**⚠ Temperature alarming function:** When the temperature of machine higher or lower  $\pm 2$  °F/ $\pm 1$ °C than the set temperature, it will alarm automatically and the temperature data blinks, which can be stop by pressing arbitrary key. If the normal data is not restored after 15 minutes, the alarm continues.

**⚠ Humidity alarming function:** After working for 2 hours, if humidity is lower than 40%, it will automatically alarm and the humidity data blinks, which can be stop by pressing arbitrary key. If the normal data is not restored after 1h, the alarm continues.

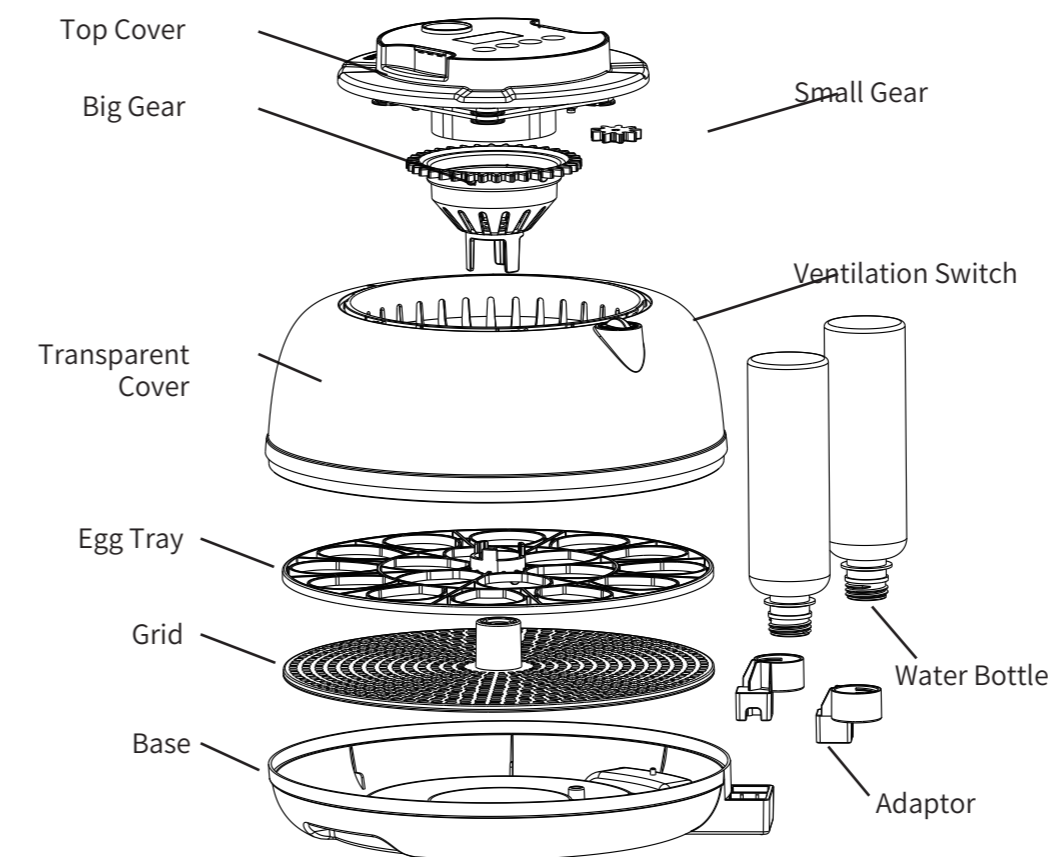
## 2) Suitable Incubation Environment

It is recommended that the room temperature be stabilized between 74°F ~80°F (23°C~27°C). Please place the polyfoam to cover the incubator if the ambient temperature is below 64.4°F/18°C.

Do not place the incubator near a window to avoid direct sunlight and drafts. Do not place the incubator on the floor to avoid oxygen deprivation.

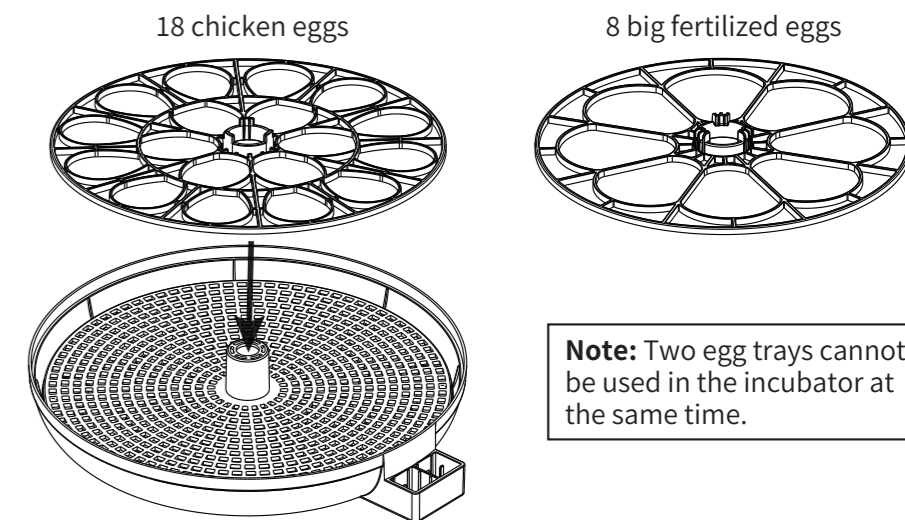
## 3) Assembly The Incubator

a) Incubator parts



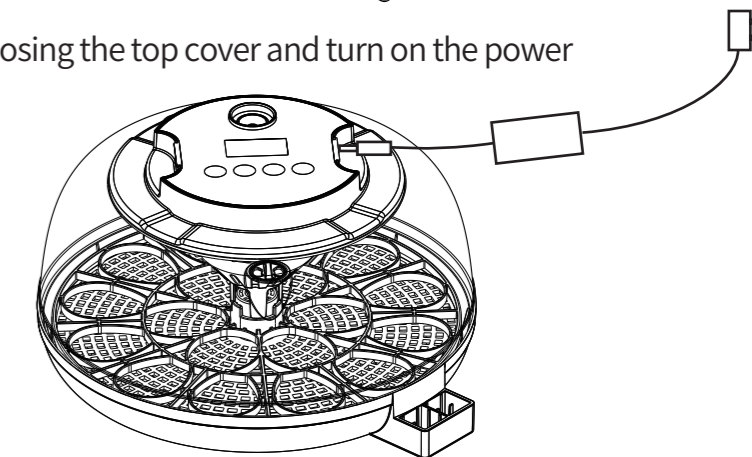
PS: The incubator comes with two sizes of egg trays as standard, please choose the right one according to the size of fertilized eggs.

b) Place the base, grid, and egg tray in order.



**Note:** Two egg trays cannot be used in the incubator at the same time.

c) Closing the top cover and turn on the power



## 4) Setting Parameters, Preheat The Incubator

Press menu key to enter setting mode. Cycle through menu options as needed, the order is: 1 Temperature, 2 Hatching days, 3 Egg-turning time, 4 Save and Exit.

**1-** Press and hold Setting key until the temperature values blinking, use +/- key to set the desired temperature.

**2-** Press and hold Setting key until the hatching days values blinking, use +/- key to set the desired number of days.

**3-** Press Setting key until egg turning time display blinks, press +/- key to select one of three options: 60, 120, or 180 (Mins)

**4-** Press Setting key for the fourth time to exit and save the settings. (Auto-save and exit menu mode after 5 seconds of inactivity)

## 5) Humidity Control

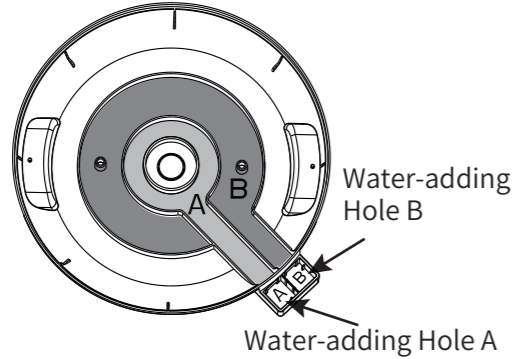
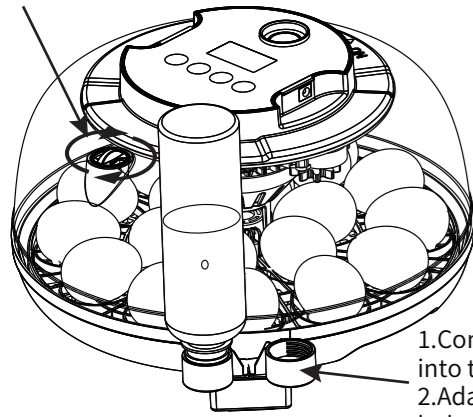
A&B water-adding hole. Using water bottle to add water automatically and further adjusted by the ventilation switch to achieve the desired humidity.

**NOTE:** Based on chicken eggs as example, add water as follows.

Day 1st-18th, water-adding hole A

Day 19th-21st, water-adding hole A & B filled simultaneously

Ventilation Switch



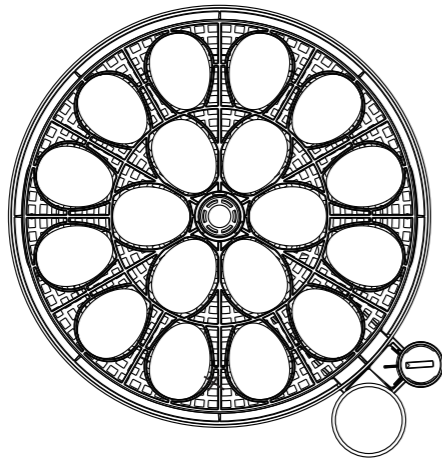
1. Connect the water bottle to the "adapter" and insert it into the incubator upside down.
2. Adapters should be inserted into unused water-adding hole to avoid temperature and moisture loss.

Suggest to add warm distilled water (80~90°F/27~32°C). The humidity may fluctuate after adding water. Please allow 1-2 hours for the humidity to stabilize before making any further adjustments.

## 6) Place Fertilized Eggs

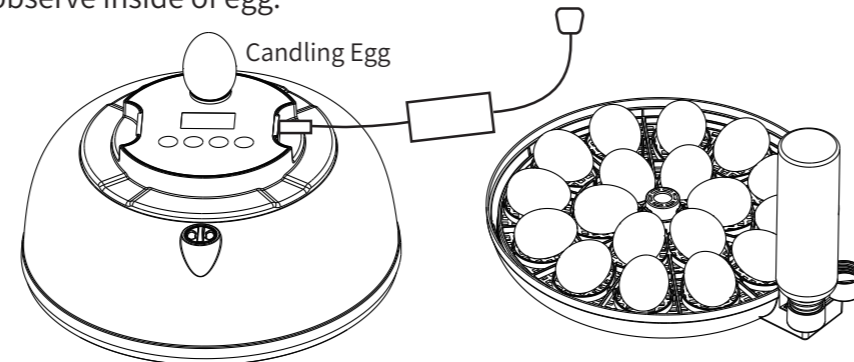
Please make sure the incubator has been running for 2-3 hours and is functioning properly before placing eggs.

1. Placing the eggs flat, with the small end of egg facing the center of incubator for smoother rotation.
2. Press and hold the "+" button to test egg-turning function, to check that each egg is placed correctly and can be turned over smoothly. For easy observation, the egg can be marked with an "X" in pencil.



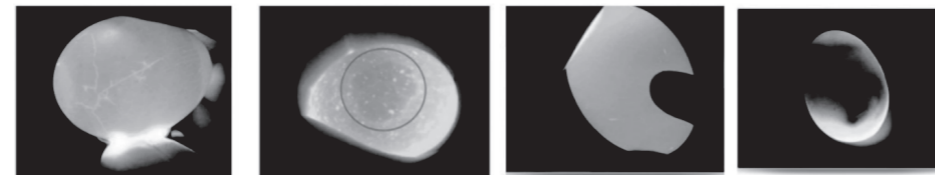
## 7) Check the Development of Fertilized Eggs

Remove the cover without disconnecting the power supply. Then gently place the egg on the candler hole, press the ⊖ key to switch on the candler light and observe inside of egg.



- The 1st time to test egg (Day 4th-6th):** mainly to check the fertilization of the eggs, select the unfertilized eggs, scattered yellow eggs, dead eggs.
- The 2nd time to test egg (Day 11st-12nd):** mainly to check the development of egg embryo, the well-developed embryo is enlarged, with blood vessels inside, and the air chamber is large and sharply demarcated.
- The 3rd time to test egg (Day 16th-17th):** Light from the pointed side, a well-developed embryo is larger, meanwhile full of egg, and no light in most places. If it's a dead egg, the blood vessels in the egg are blurred, Parts yellow near the air chamber, the boundary between the egg and the air chamber is not clear.

a) If any of the four situations in the picture occurs when candling fertilized eggs, it means that the eggs cannot continue to hatch. Please take them out in time to avoid affecting other normal fertilized eggs and causing the hatching rate to decrease.



1. Small cracks 2. Moving air bubbles 3. Unfertilized eggs 4. Dead embryos

b) Dim the room lighting for easy observation. Please take care to avoid excessive vibration or rotation during candling the eggs, which may causing death of embryos due to stress.

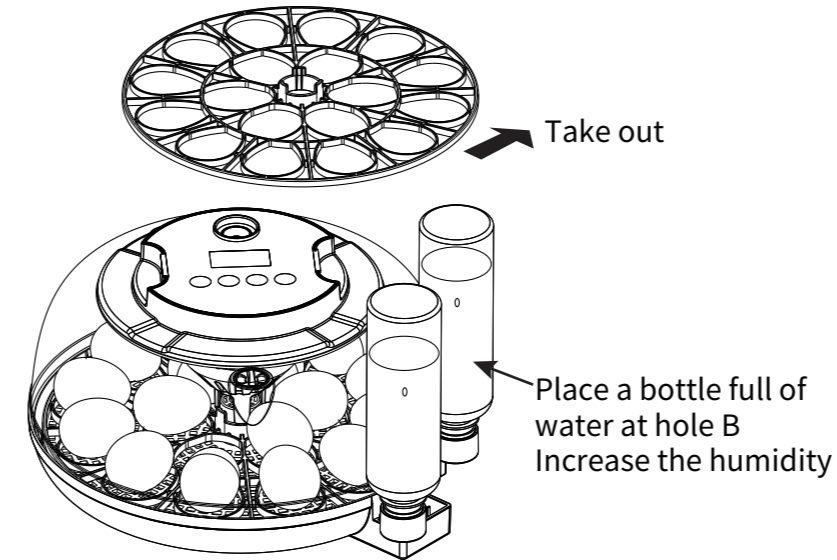
c) Due to the room temperature is lower than the incubator temperature, please complete the operation of candling eggs as soon as possible.

d) When checking the fertilized eggs, opening the incubator will lower the temperature and humidity inside the machine, which may trigger the alarm. It can be stop by pressing arbitrary button. The temperature will gradually return to the preset value when the cover is closed.

## 8) Prepare Before Hatching Period

**Take out the egg tray**—The egg-turning motor will stop working automatically in the last 4 days, and 'STOP' indicator lighting. Please take out the egg tray and place the eggs on the grid gently so that there is enough space for the chick to come out of the shell.

**Increase humidity**—Add water to hole B, increase humidity inside the incubator.



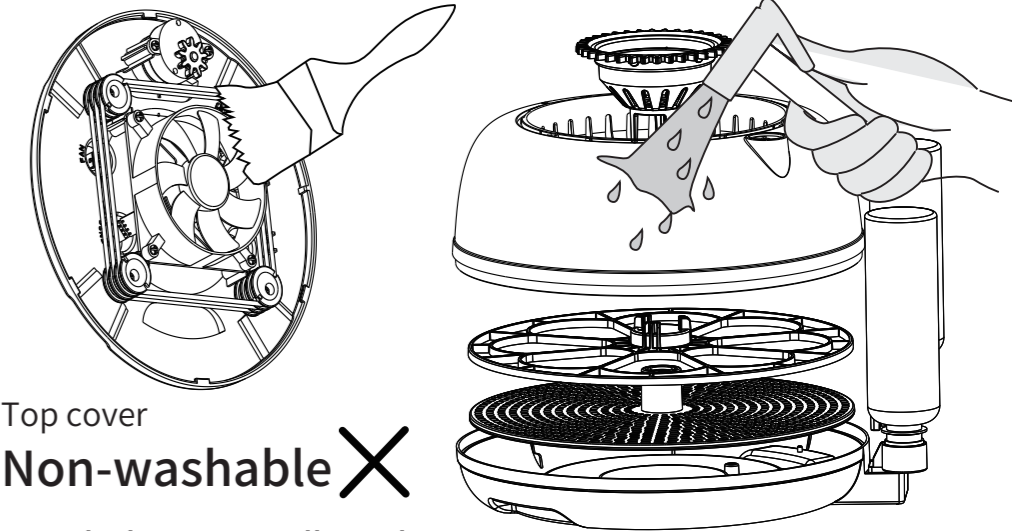
Avoid opening the lid frequently. As each time it is opened, both temperature and humidity will drop sharply and require some time to recover. As some chicks may delay hatching, unhatched eggs can be kept in the machine for a few more days.

## 9) Clean and Storage

Disconnect the incubator before cleaning.

**Top cover**—Wipe the surface of the top cover with a dry cloth and gently scrub the fan with a dry brush. Ensure that all electrical components remain dry during the cleaning process. Do not immerse any electrical components in water!

**Other accessories**—Can be cleaned directly by flushing or soaking with water.



Top cover

**Non-washable** ✗

Wet cloths are not allowed

Base, Grid, Egg Tray, Transparent Cover, Water Bottles etc.

**Washable** ✓

## 10) Restore Factory Settings

Reset the incubator to factory default settings. Press and hold ⊕ + ⊖ keys at the same time for 3 seconds unit it beeps and the display screen flashes once, reset successfully.

### ⚠ NOTE:

1. Please reset incubator before each incubation, hatching days will be re-timed from day 1.
2. Store incubator after use—Plug machine in to dry for 6 hours (without water) with ventilation switch open, and make sure it is thoroughly dried before storing.
3. This incubator is only compatible with the supplied power cord. Please keep children and animals away from the incubator without supervision. Damaged incubators must not be used and repairs must be carried out by qualified personnel.