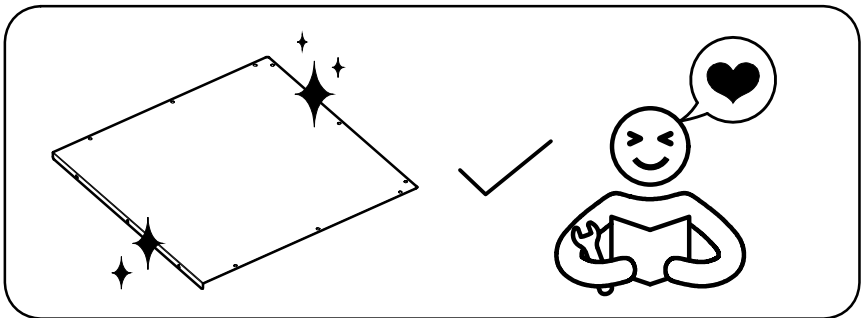
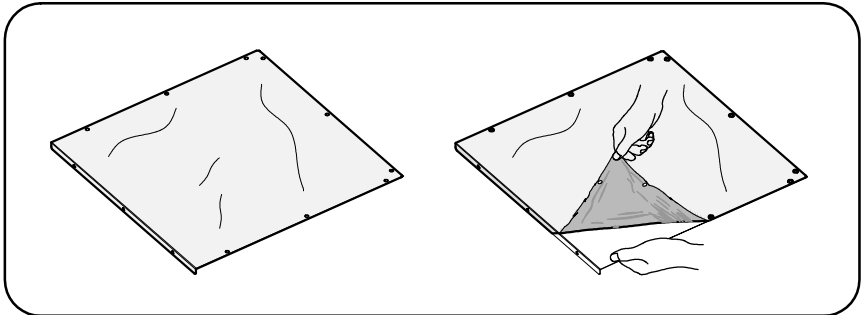
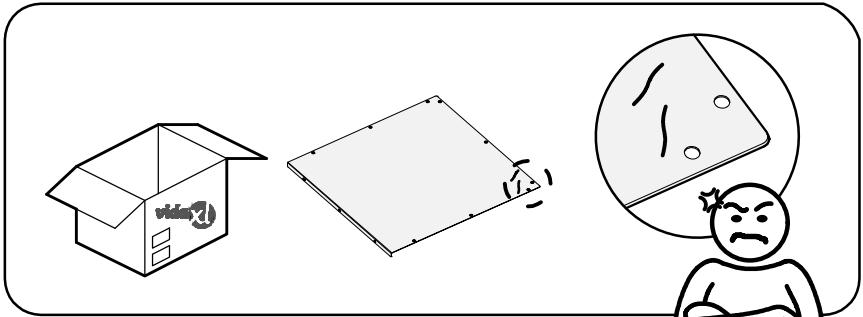
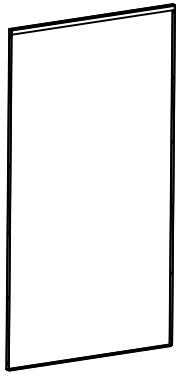
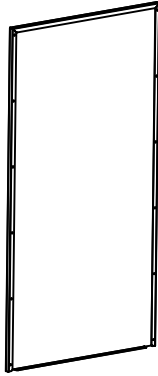


# Installation & Assembly

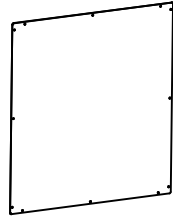




Ax2



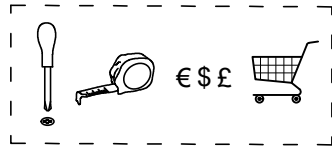
Bx2



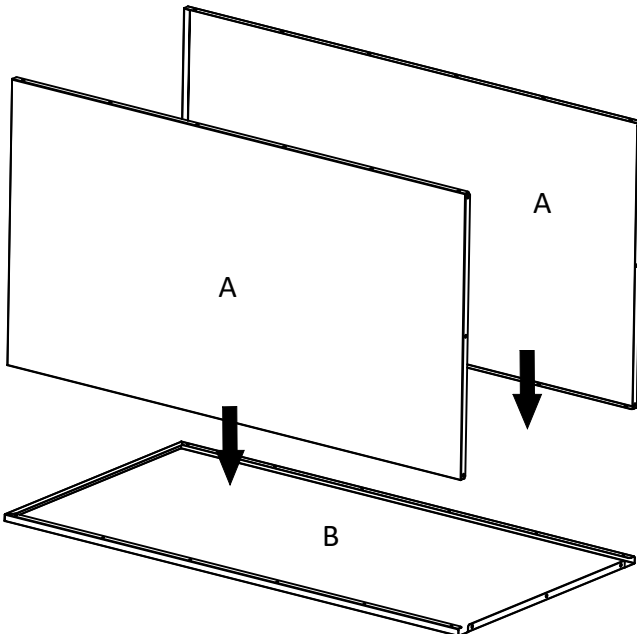
Cx1



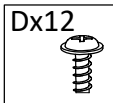
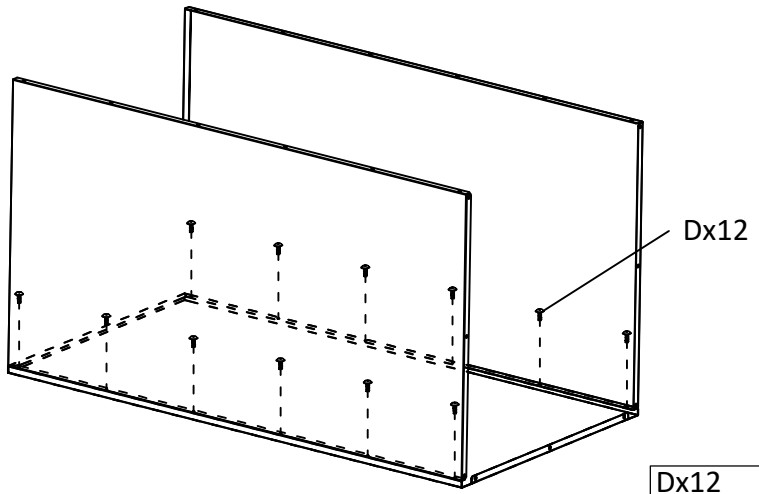
Dx36



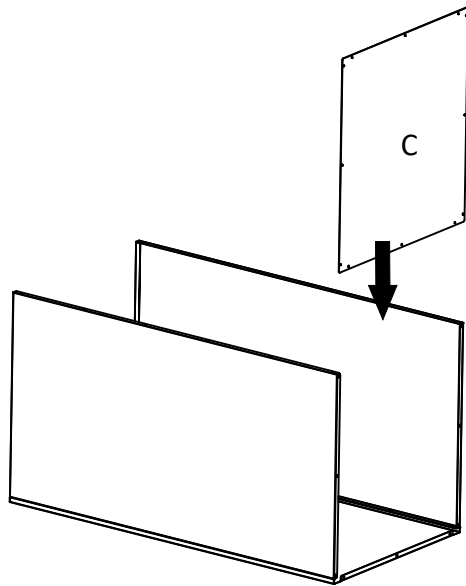
①



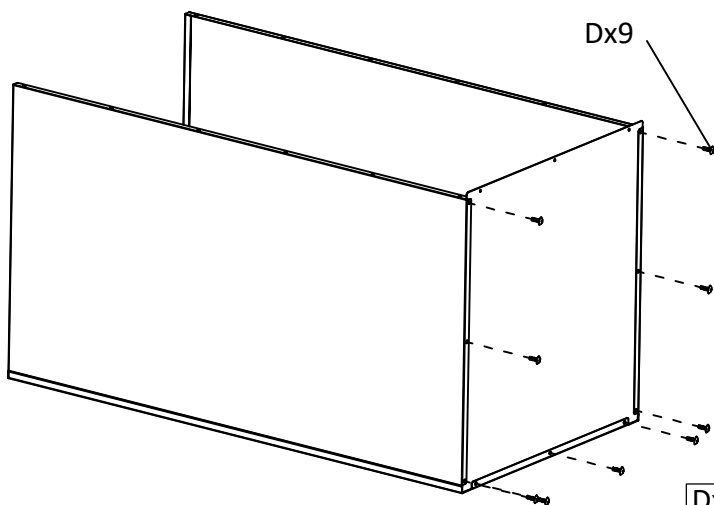
②



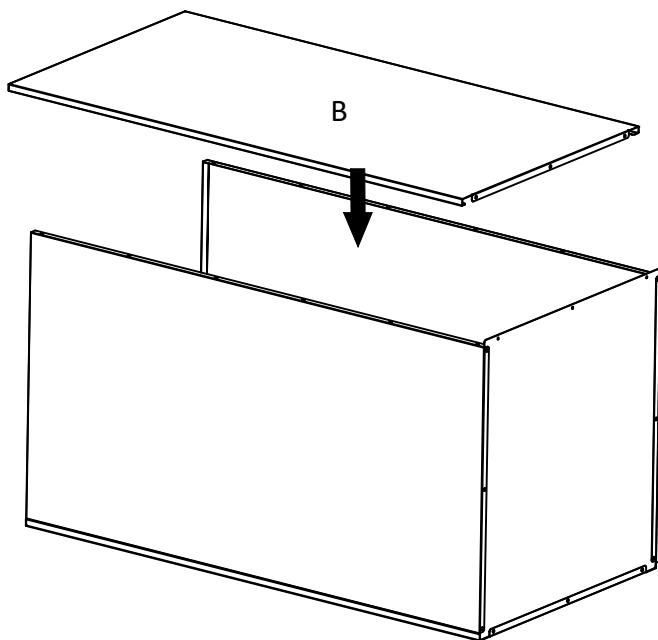
③



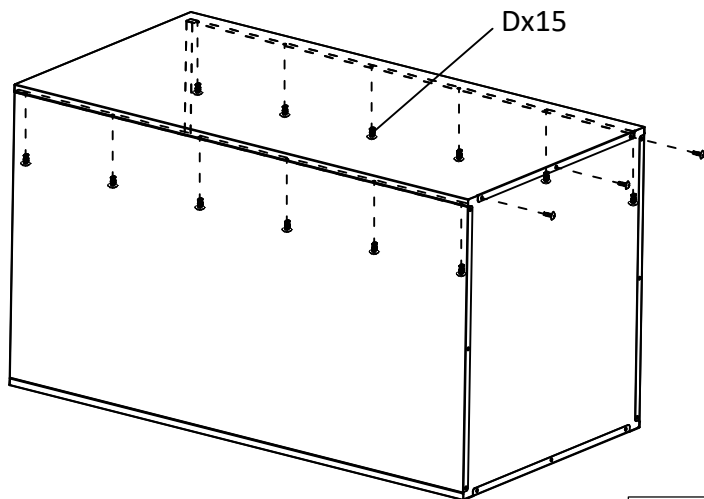
④



⑤



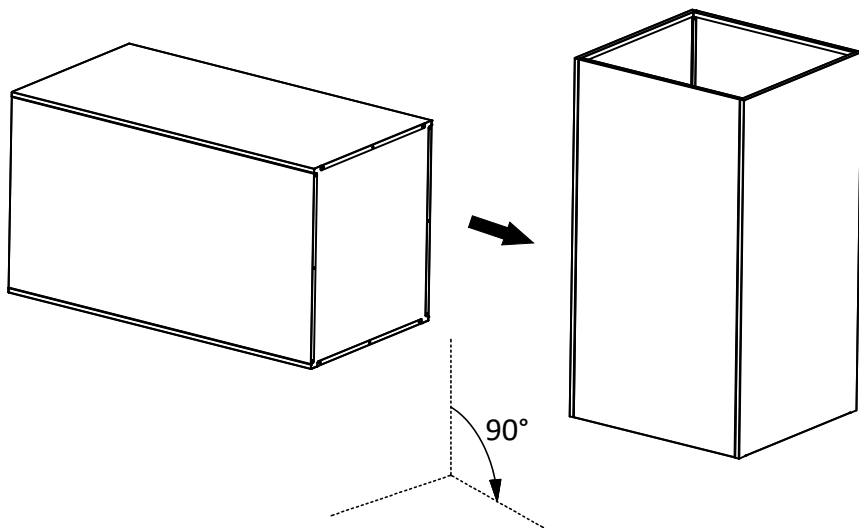
⑥



Dx15



⑦



8

