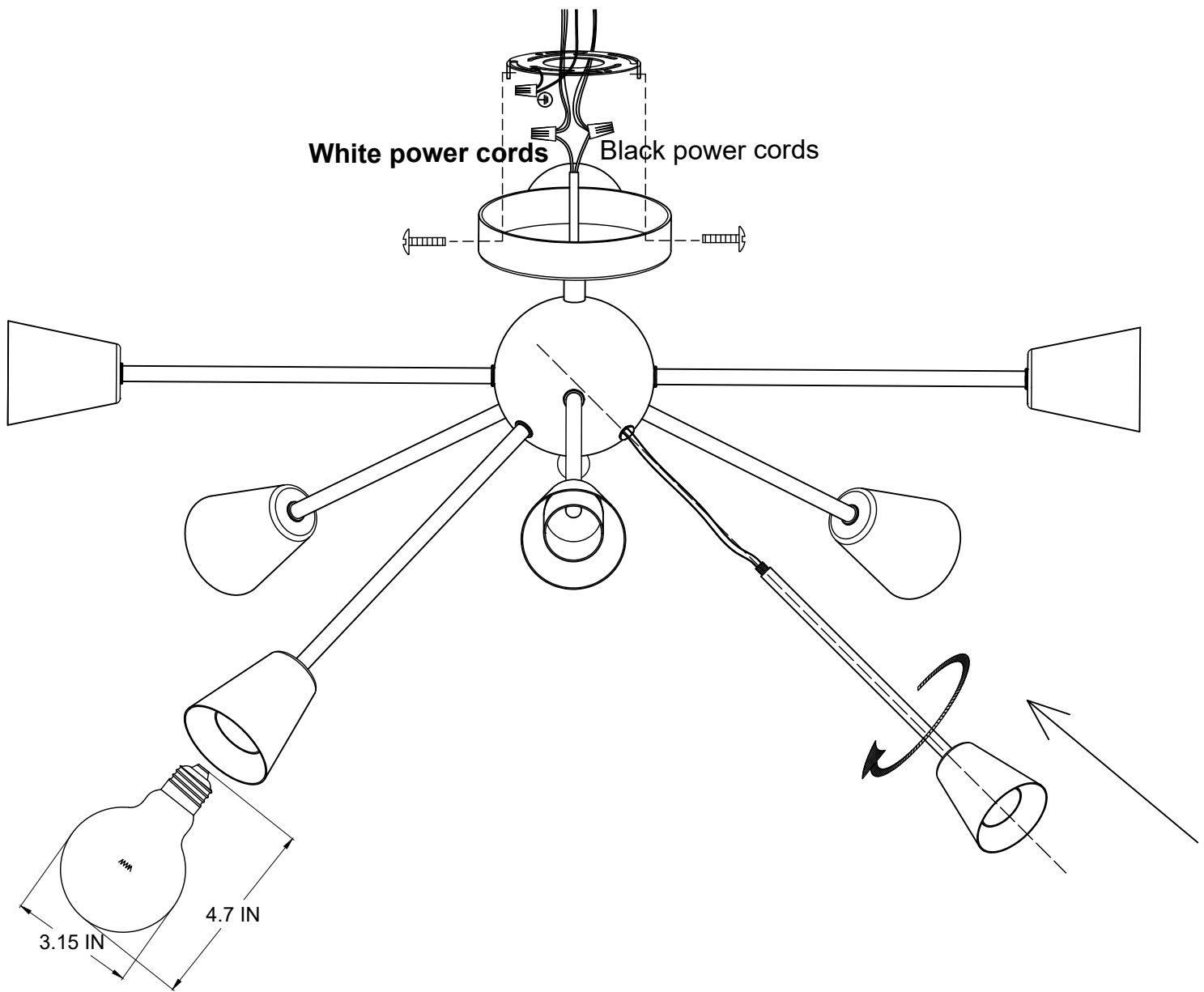


Instruction



It is recommended to use light bulbs of this size as a priority

NOTE:

1. Only the technical personnel can be allowed to fix and maintain.
2. Light bulbs recommended: 8X Max 40W E26
3. Make sure that the power is switched off at the electricity mains supply before commencing work.

SAFETY INFORMATION:

1. Lamp used must be in rated voltage, and do not touch the bulb with bare hands. Always switch off the electricity supply and allow to cool for 5 minutes before changing the light bulbs.
2. If the external cables have been damaged, please change or repair by manufacturer or service agency or professional electrician, in order to avoid the danger.
3. Fitting wire colour Household circuit

Green/Yellow	connect to	Earth - Yellow/Green
Black	connect to	Live - Black
White	connect to	Neutral - White