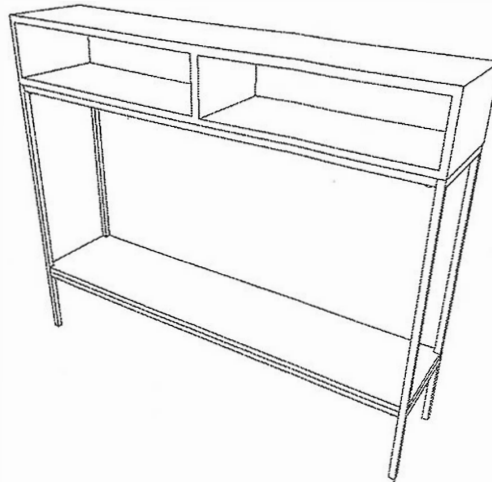
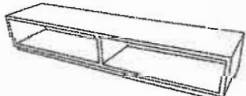






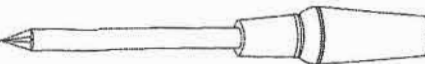






Assembly Instructions

CONSOLE WITH TWO CUBBY TOP AND SHELF



NO.	PARTS	DESCRIPTION	Q'TY	NO.	PARTS	DESCRIPTION	Q'TY
A		Console Top	1 PC	B		R & L Leg Assembly	2 PC
C		Bottom Shelf	1 PC	D		Allen Head Wrench 4MM	1 PC each
E		Flat Washer	8 PCS	F		Wood Screw 16 MM	2 Pcs
G		Allen Head Bolt M6 X 10	8 PCS				
H				(NOT SUPPLIED)		Crosshead Screwdriver	1PC

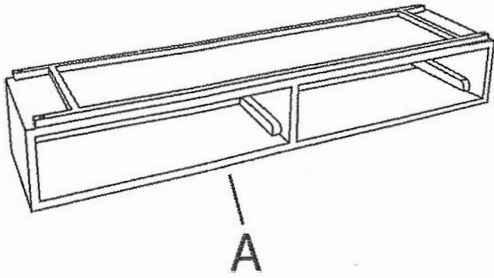
Tip Resistance Kit

H		Allen Screw 30mm	2 PCS	I		Expansion Tube	2 PCS
J		Plastic Fastener 5MM	2 PCS	K		L Bracket	2 PCS

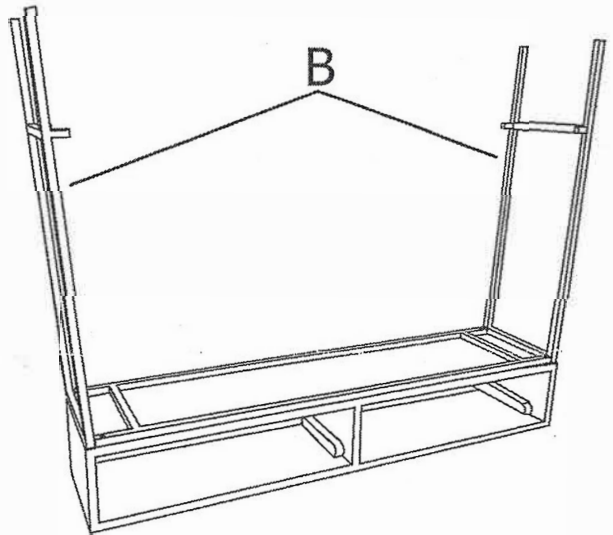
Assembly Instructions

CONSOLE WITH TWO CUBBY TOP AND SHELF

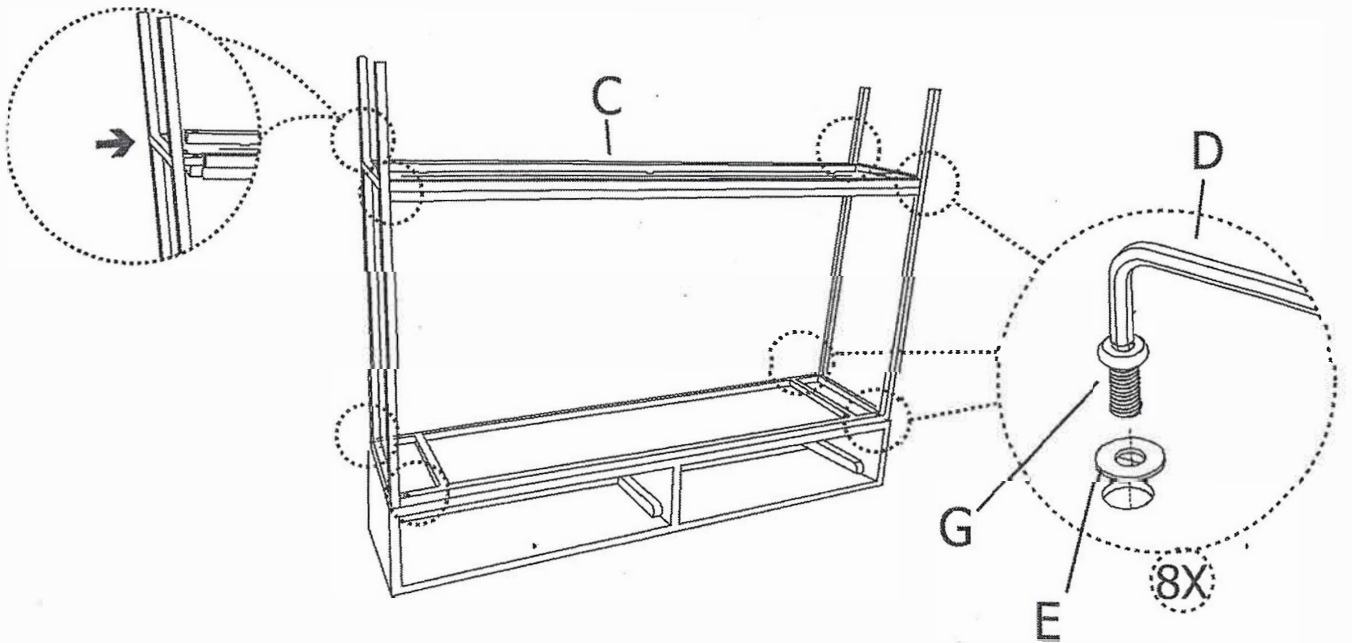
STEP 1



STEP 2



STEP 3



Assembly Instructions

CONSOLE WITH TWO CUBBY TOP AND SHELF

STEP 4

