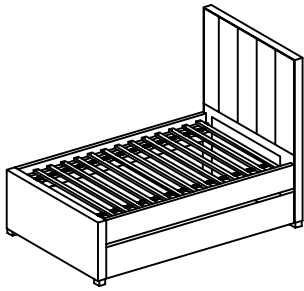


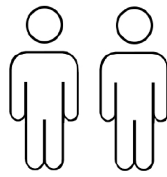
ASSEMBLY INSTRUCTION



+ Do Not Use Power Tools



+ Suggested Adults



NOTE:

- 1 Read instructions cover to cover.
- 2 Save all packaging until assembly is completed.

1 IMPORTANT SAFETY INFORMATION

Do not assemble the product if any of the following parts arrived damaged:

- Part # - Side Rails
- Part # - Center Support Bar
- Part # - Support Legs
- Part # - Slats

2 IMPORTANT ASSEMBLY INFORMATION

Assembly Step Ensure the side rail bracket is fully hooked onto bolt loosely threaded with both washers on the **OUTSIDE** of the bracket first, then proceed to fully tightening all 4 corners.

Assembly Step When installing slats, ensure that the curve is facing upwards. (✓) (✗)

*Slats come packed in the bottom of headboard carton.

+ Parts Included

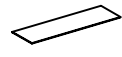
- ① Headboard (1 of pc) ② Footboard (1 of pc) ③ Slat 13 Pcs (1 of pc)



- ④ Legs (4 of pcs) ⑤ Side Rail (2 of pcs) ⑥ Trundle Front Panel (2 of pcs)



- ⑦ Trundle Side Panel (2 of pcs) ⑧ Slat 7pcs (1 of pc) ⑨ Bottom Panel (2 of pcs)

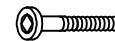


+ Hardware Included

- A Allen Key M5 x 70mm (1 of pc) B Allen Key M4 x 100mm (1 of pc) C CSK M4 x 32mm (64 of pcs)

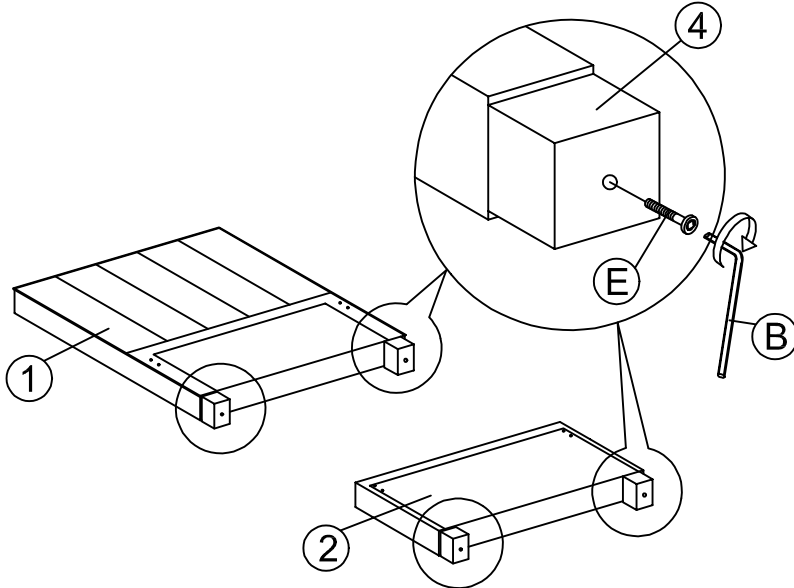


- D JCBB M8x20mm (16 of pcs) E JCBC M6x50mm (4 of pcs) F Roller (6 of pcs)

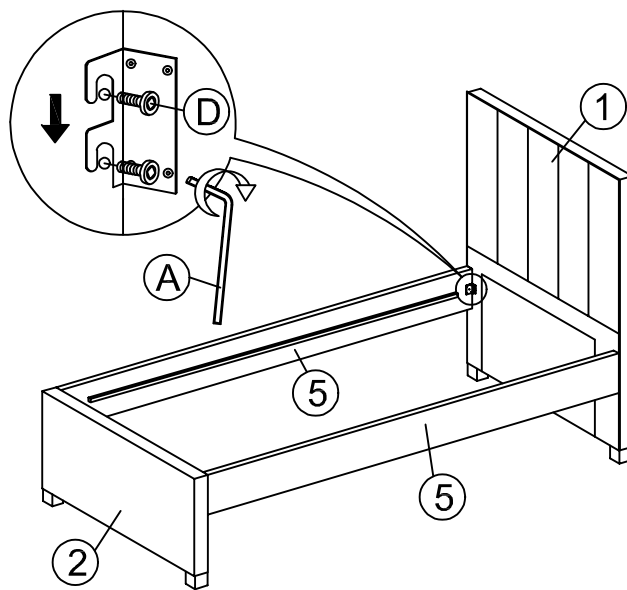


ASSEMBLY INSTRUCTION

①

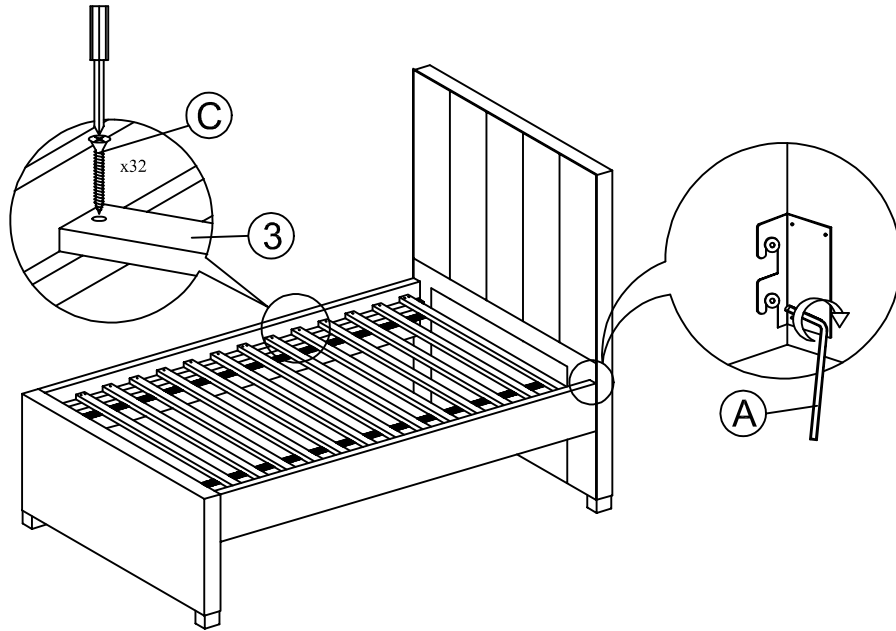


②

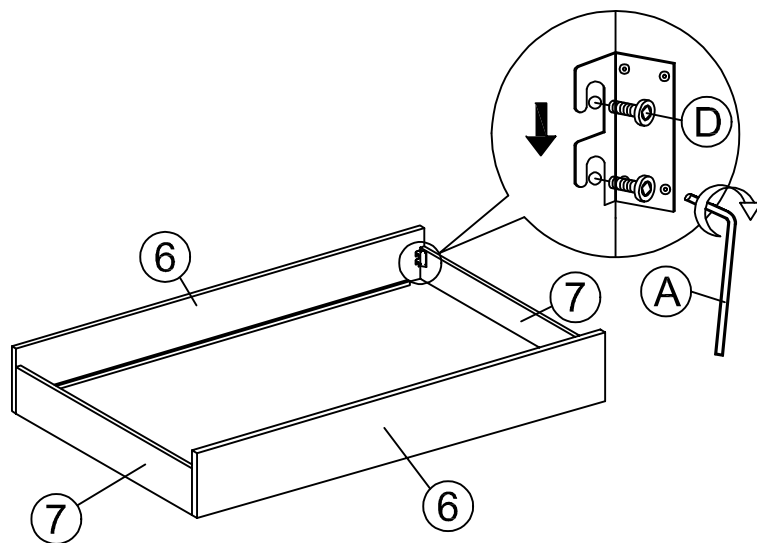


ASSEMBLY INSTRUCTION

3

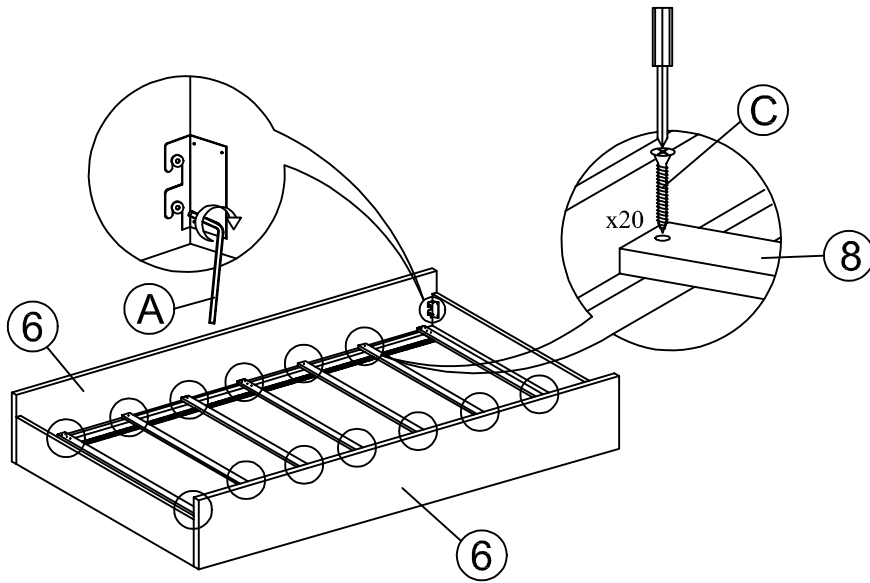


4

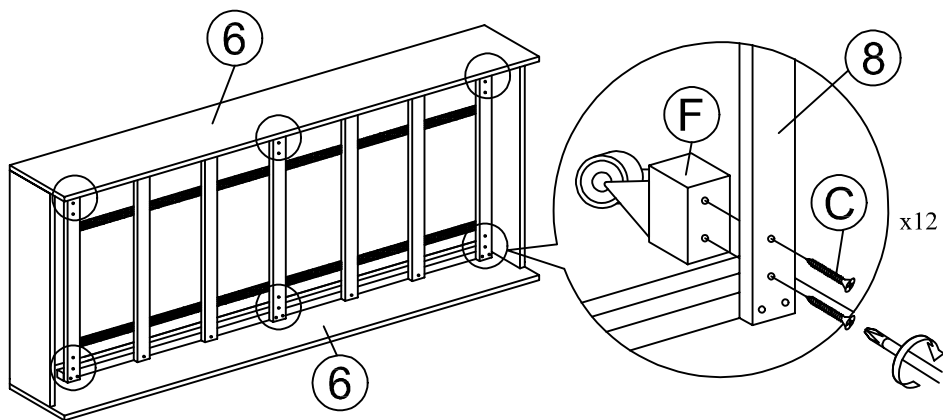


ASSEMBLY INSTRUCTION

5

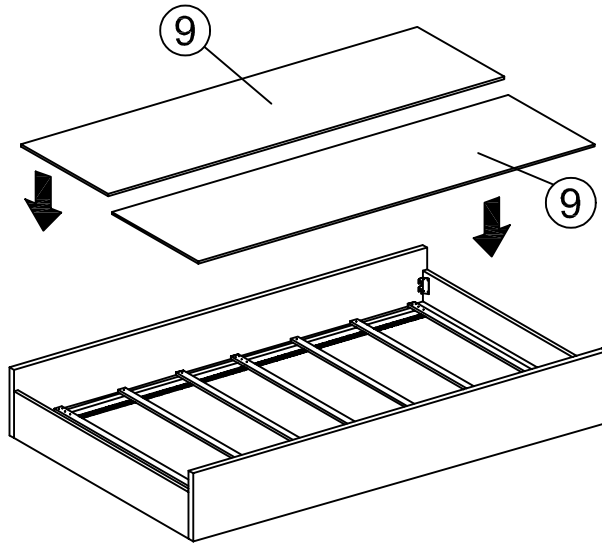


6



ASSEMBLY INSTRUCTION

7



8

