

Package Contents:

<b>A</b> Wood Top  1PC		<b>B</b> Frame  2PCS		<b>C</b> Frame Shelf  2PCS		<b>D</b> Frame Shelf  2PCS	
<b>E</b> Screw  4PCS		<b>G</b> Frame Screw  4PCS		<b>I</b> Handle Screw  16PCS		<b>K</b> Drawer  4PCS	
<b>F</b> Screw  16PCS		<b>H</b> Hex Key  1PC		<b>J</b> Handle  8PCS		<b>L</b> Drawer Insert  4PCS	

**FOR EACH STEP MAKE SURE THE FRAME SHELVES ARE FACING THE CORRECT DIRECTION!**

**1**

**Step 1:** Secure frames (B) to wood top (A) as shown above with screws (E) then tighten with hex key (H).

**2**

**Step 2:** The frame shelves are interchangeable. You can choose the preferred order. Secure frame shelves (C, D) to frame (B) in your chosen order, with screws (F) then tighten with hex key (H). For all frame shelves (C, D) the drawer stopper should be facing the back.

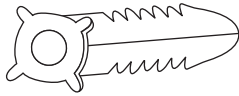
**3**

**Step 3:** Insert frame screws (G) into the legs of frame (B), twist until tight.

**4**

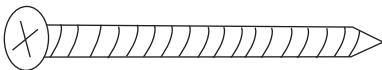
**Step 4:** Unfold drawers (K) then place drawer insert (L) inside. Secure handle (J) and handle screws (I) to the drawers (K) using the hex key (H). Turn over shelf frame. Insert drawers (K) into assembled storage dresser. Make sure everything is tightened & secure before use. Enjoy!

**A** Wall Anchor



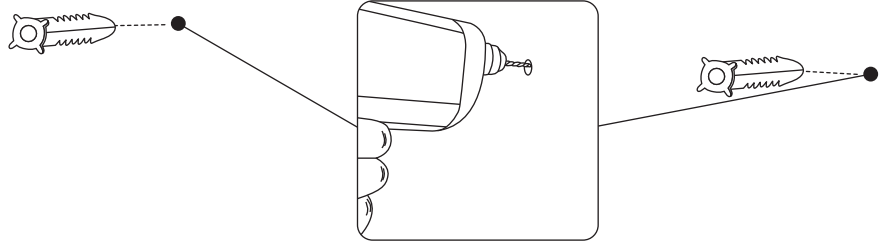
2PCS

**B** Wall Mount Screw



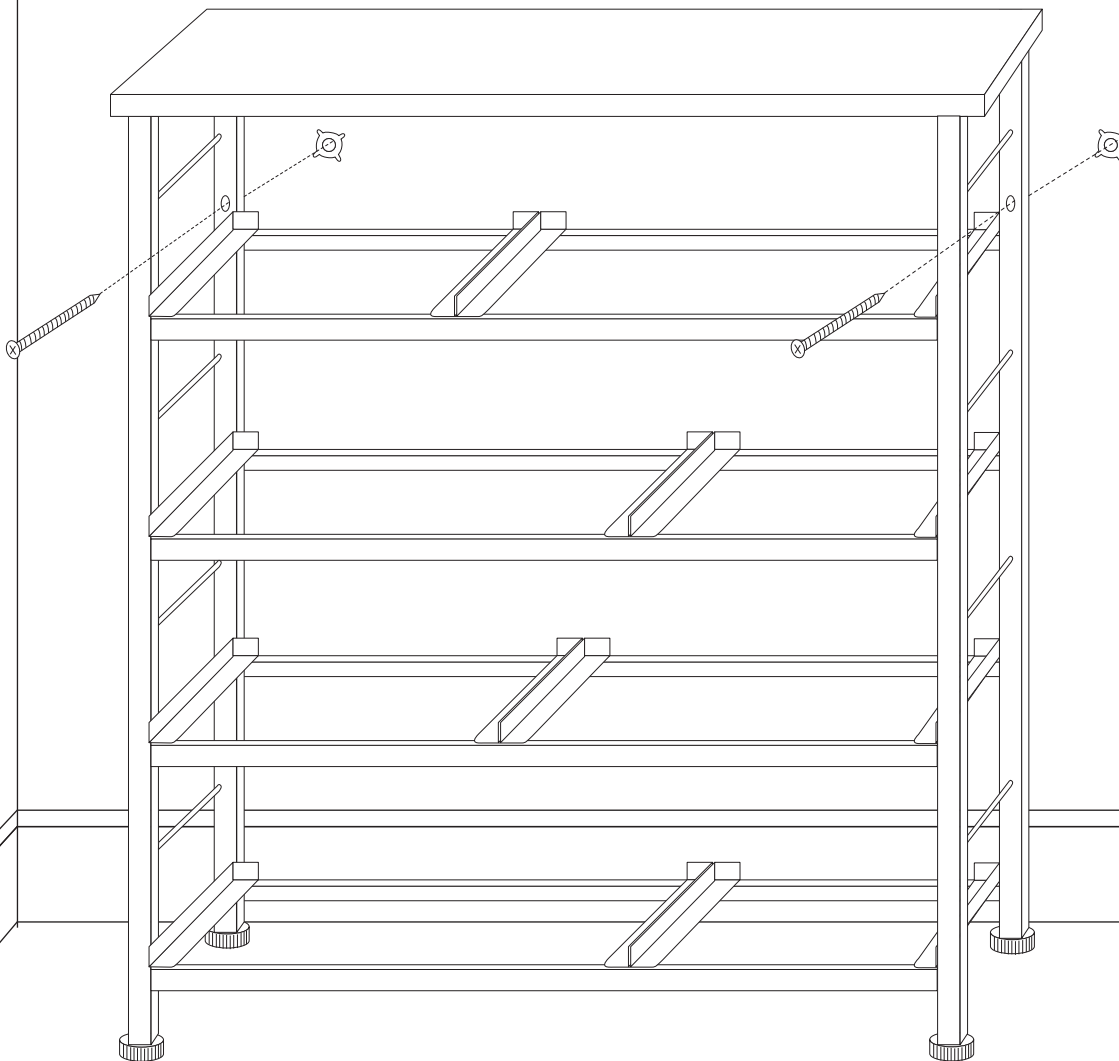
2PCS

**1**



**Step 1:** Drill a hole into the wall using a 6mm bit and gently insert the wall anchor (A) with the help of a hammer.

**2**



**Step 2:** Place the shelf against the wall, and insert the wall mount screws (B). After making sure everything is secure, feel free to use. Enjoy!