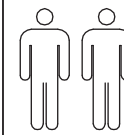
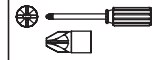


ASSEMBLY INSTRUCTION

WARDROBE 3 DOORS 2 DRAWERS



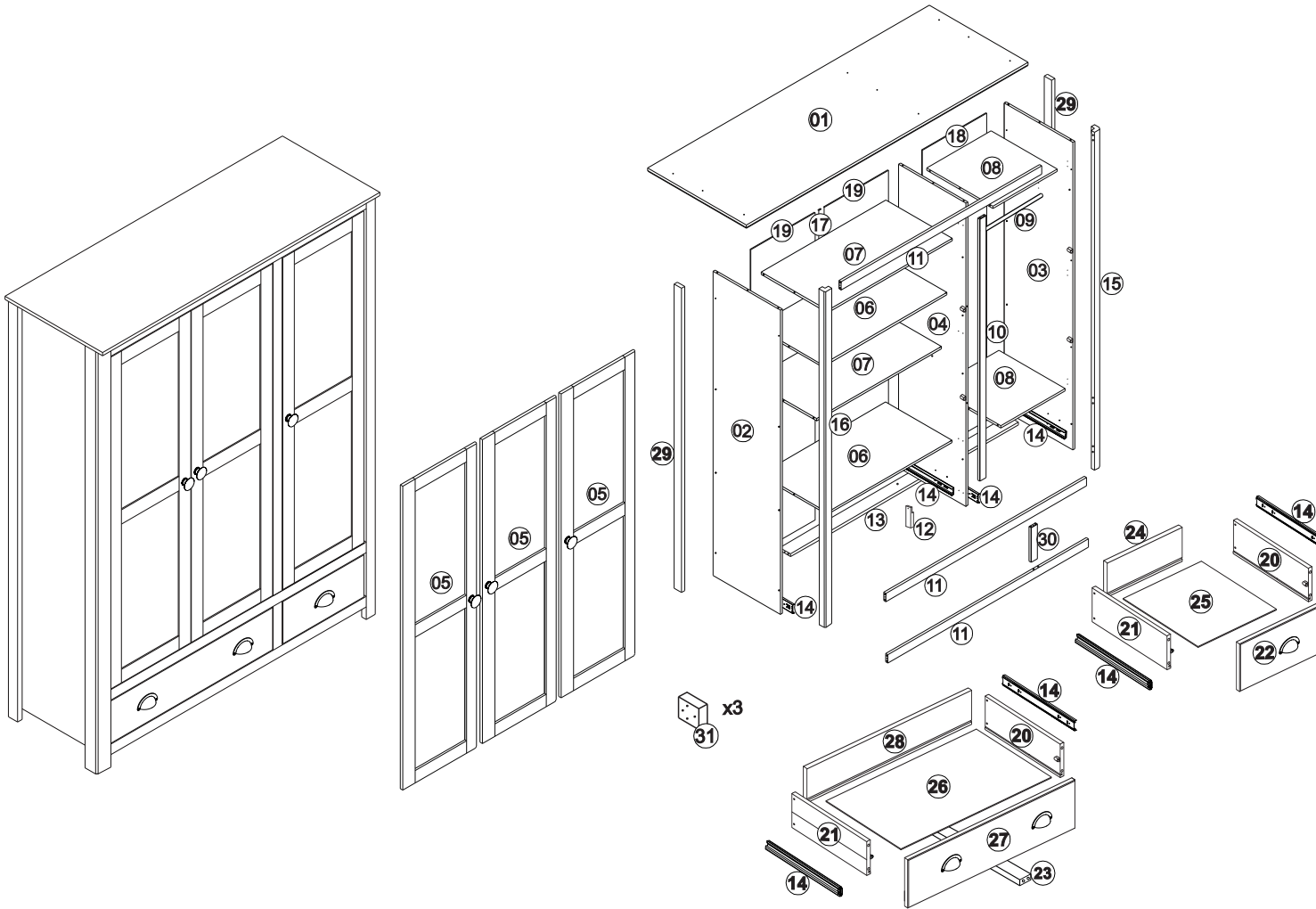
140min



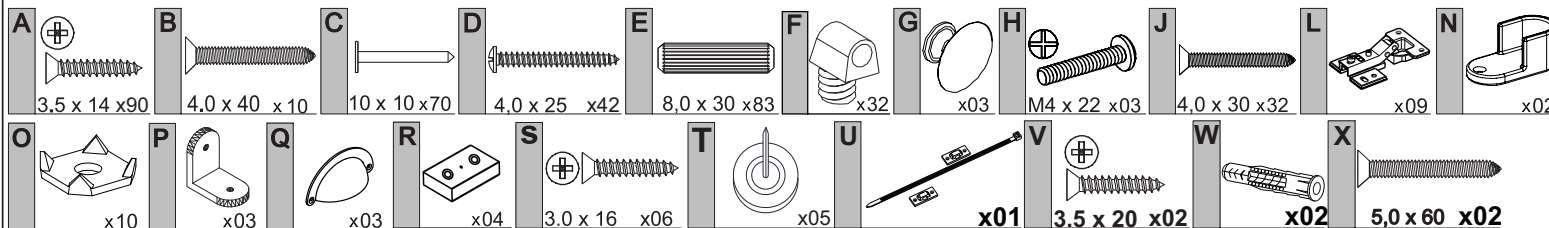
PARTS LIST

QT.

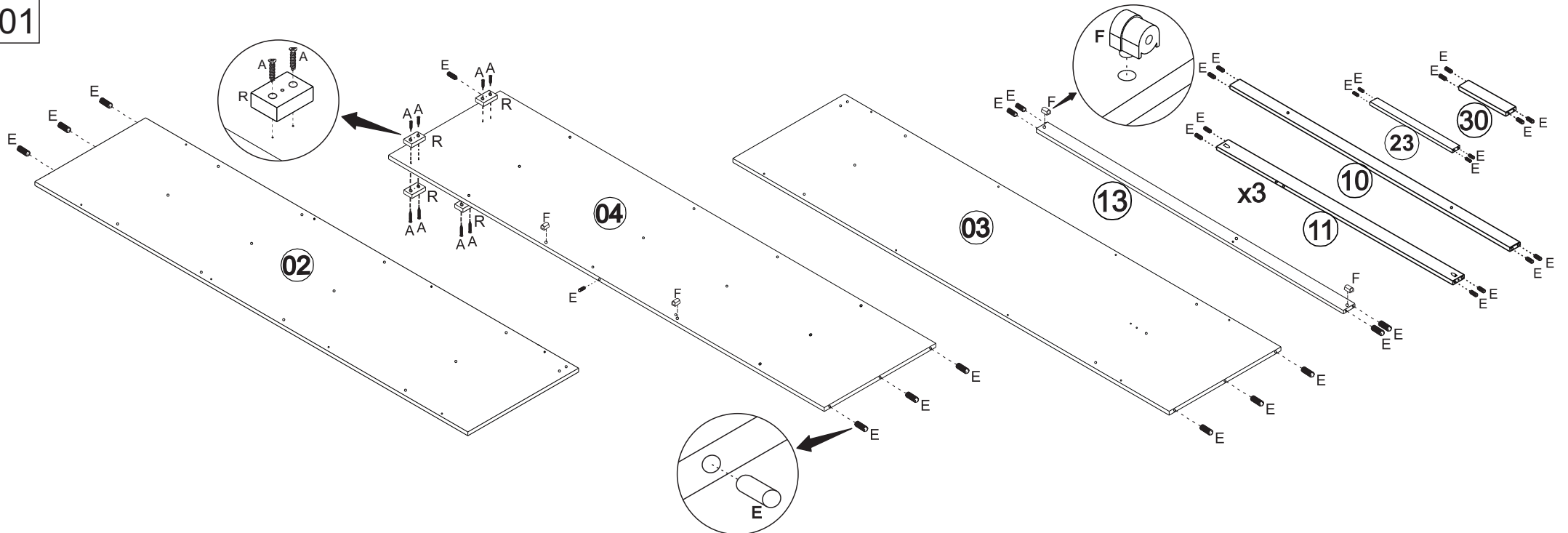
1- TOP	01
2- LEFT SIDE	01
3- RIGHT SIDE	01
4- DIVISON	01
5- DOORS	03
6- FIXED SHELF	02
7- SHELVES	02
8- SMALL SHELVES	02
9- CLOTHES RACK	01
10- VERTICAL FRONT CENTER CROSSBEAM	01
11- HORIZONTAL FRONT CROSSBEAM	03
12- CENTER BOTTOM FOOT	01
13- BACK BOTTOM CROSSBEAM	01
14- DRAWER RUNNERS	04
15- RIGHT FRONT FOOT	01
16- LEFT FRONT FEET	01
17- BACK STRUT	01
18- RIGHT BACK PANEL	01
19- BACK PANEL	02
20- DRAWER RIGHT SIDE	02
21- DRAWER LEFT SIDE	02
22- DRAWER SMALL FRONT	01
23- DRAWER SUPPORT	01
24- DRAWER SMALL BACK	01
25- DRAWER SMALL BASE	01
26- DRAWER BASE	01
27- DRAWER FRONT	01
28- DRAWER BACK	01
29- BACK FEET	02
30- VERTICAL FRONT BOTTOM CROSSBEAM	01
31- HINGE SUPPORT 15mm	03



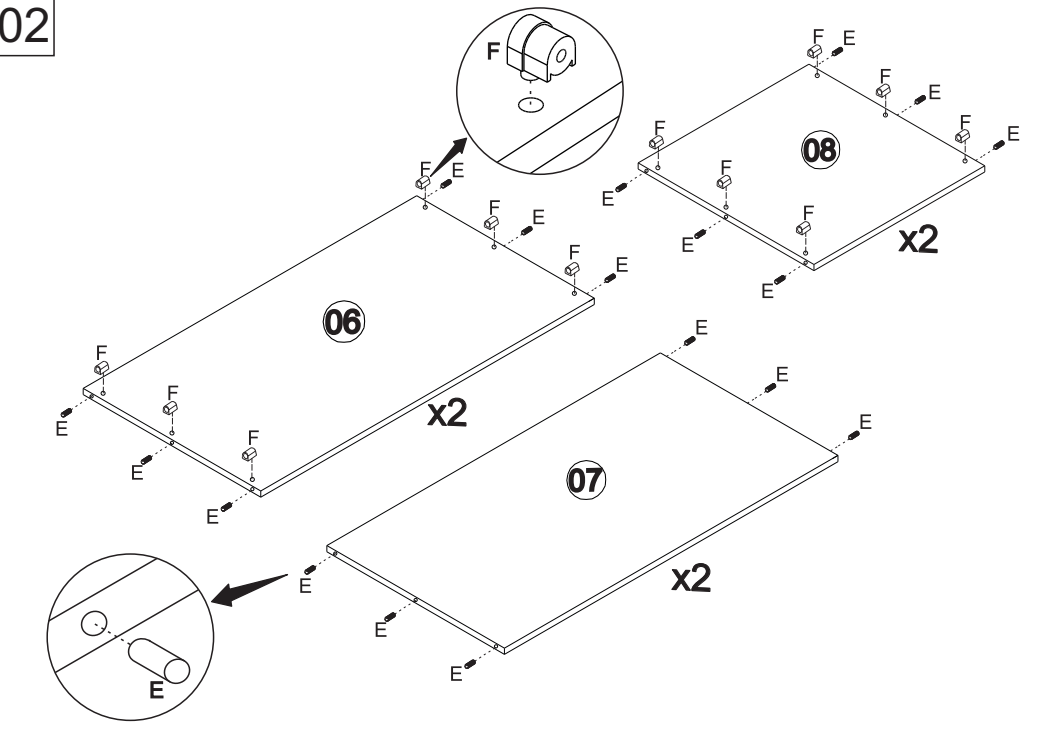
V.:01



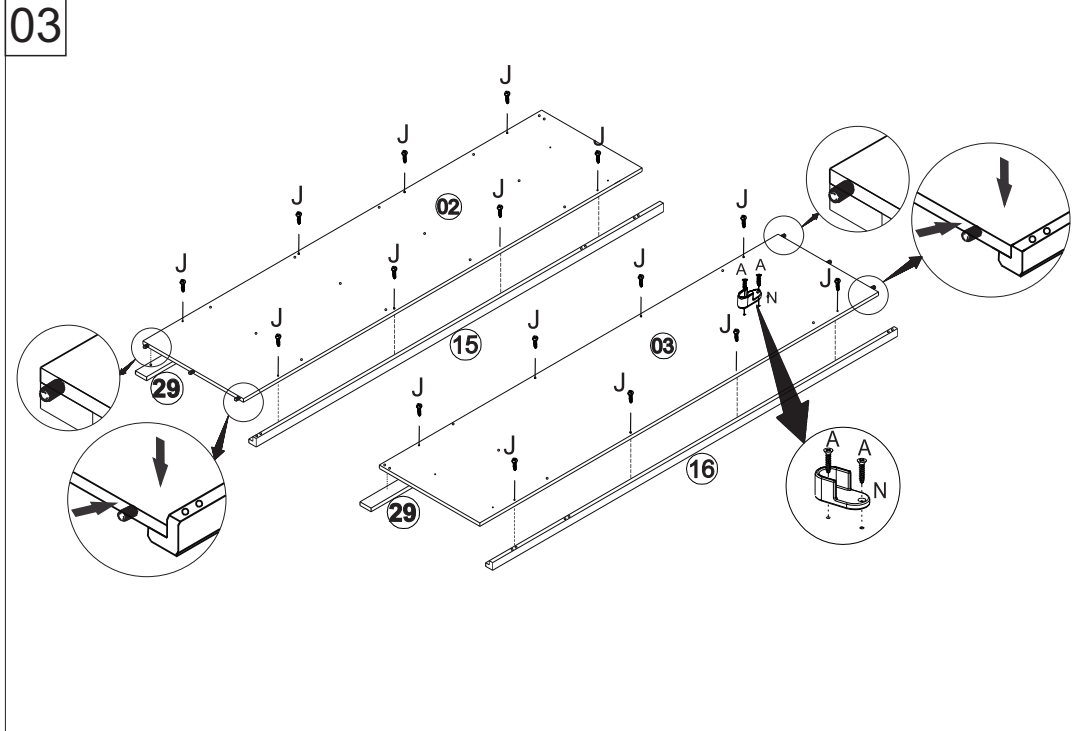
01



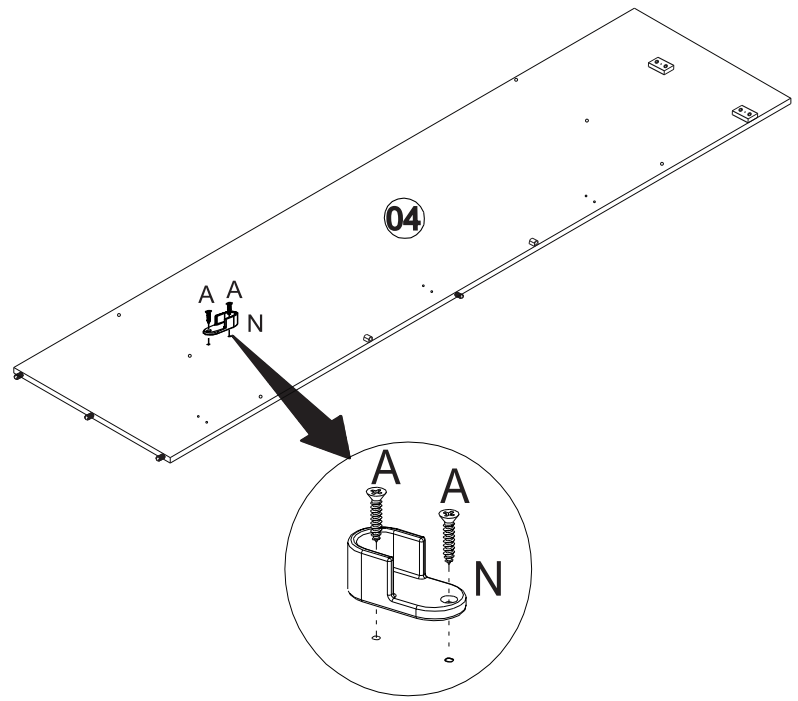
02



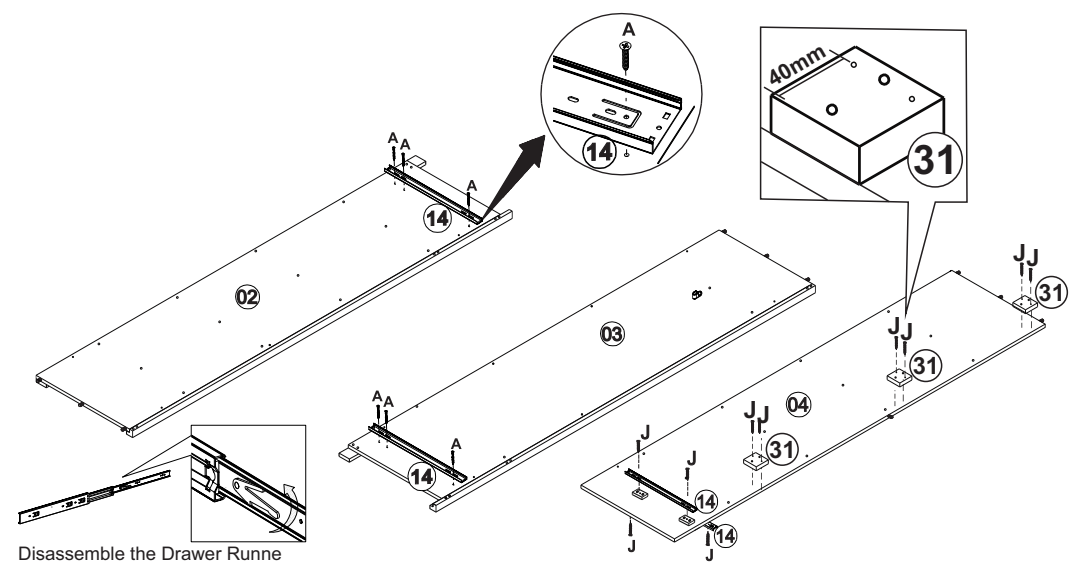
03



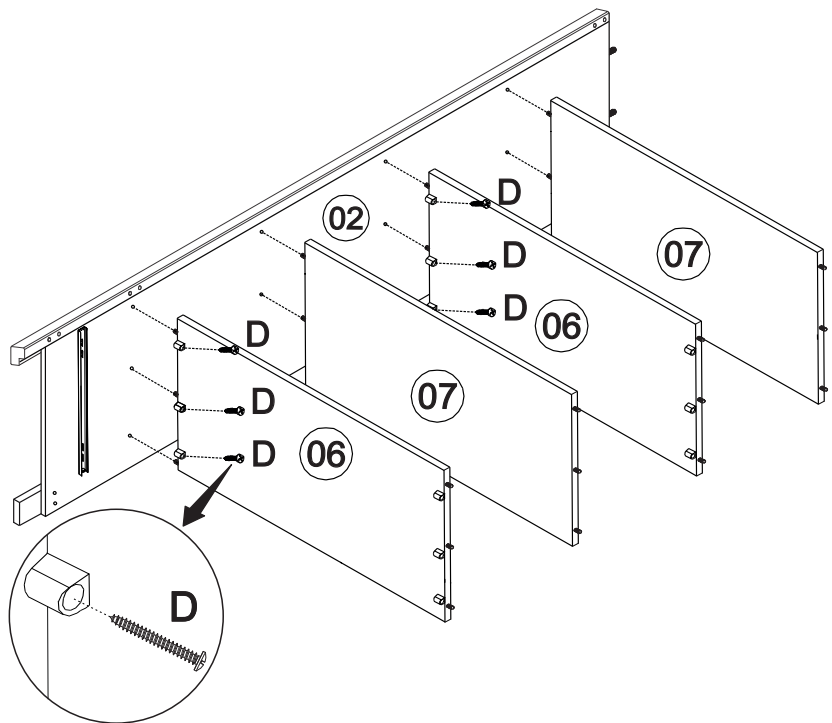
04



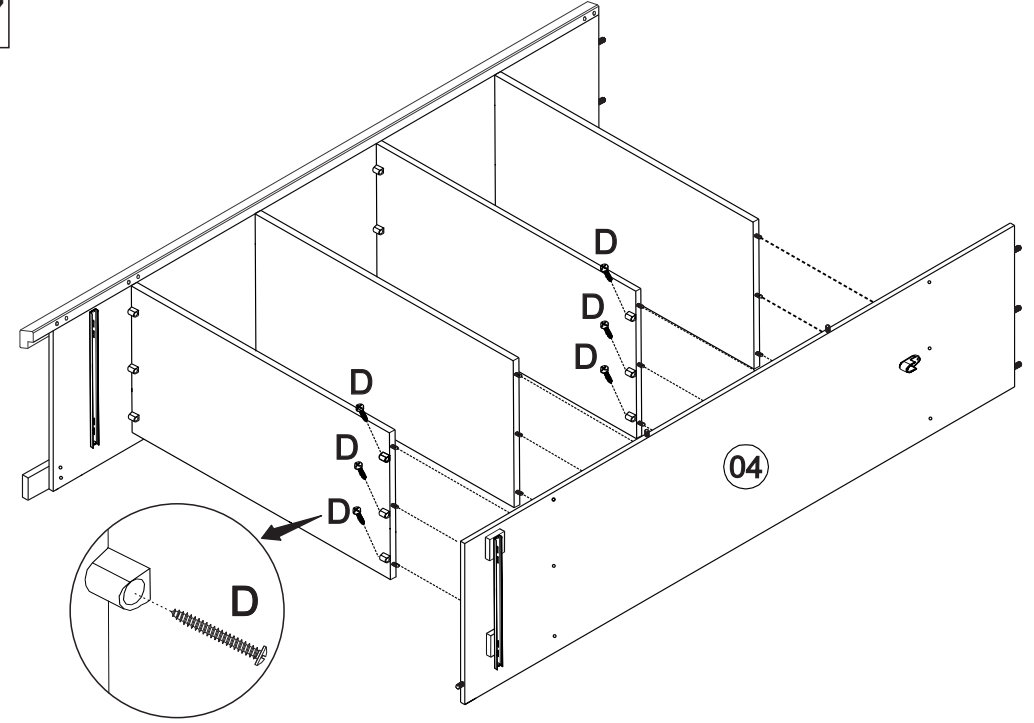
05

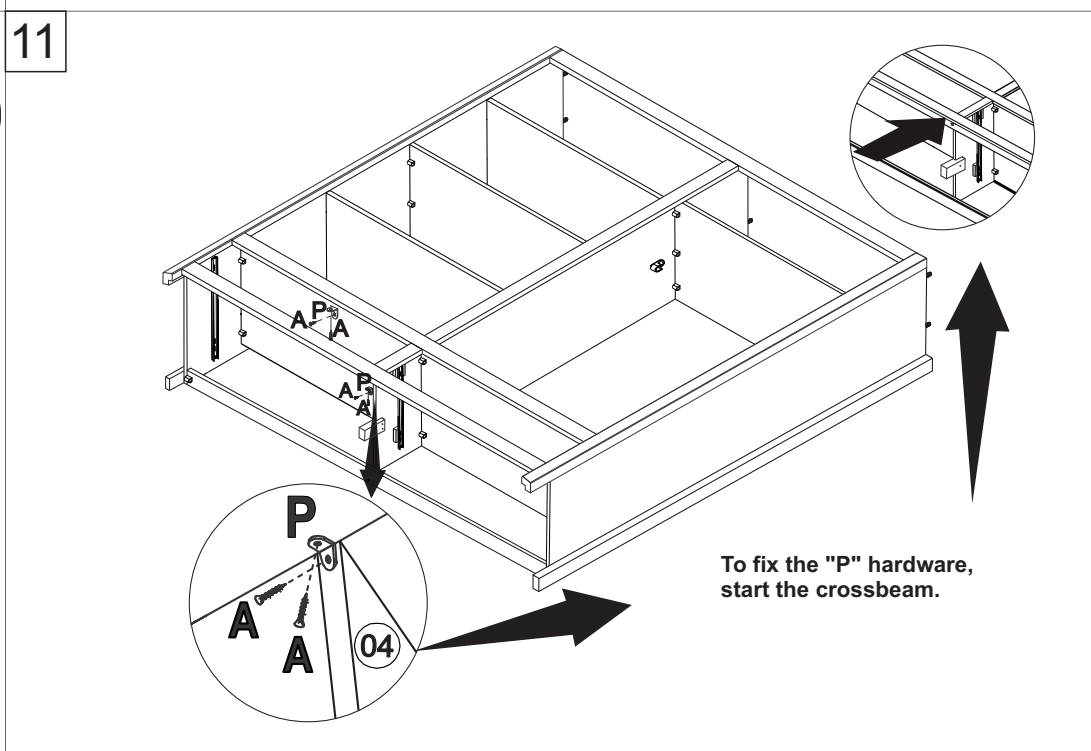
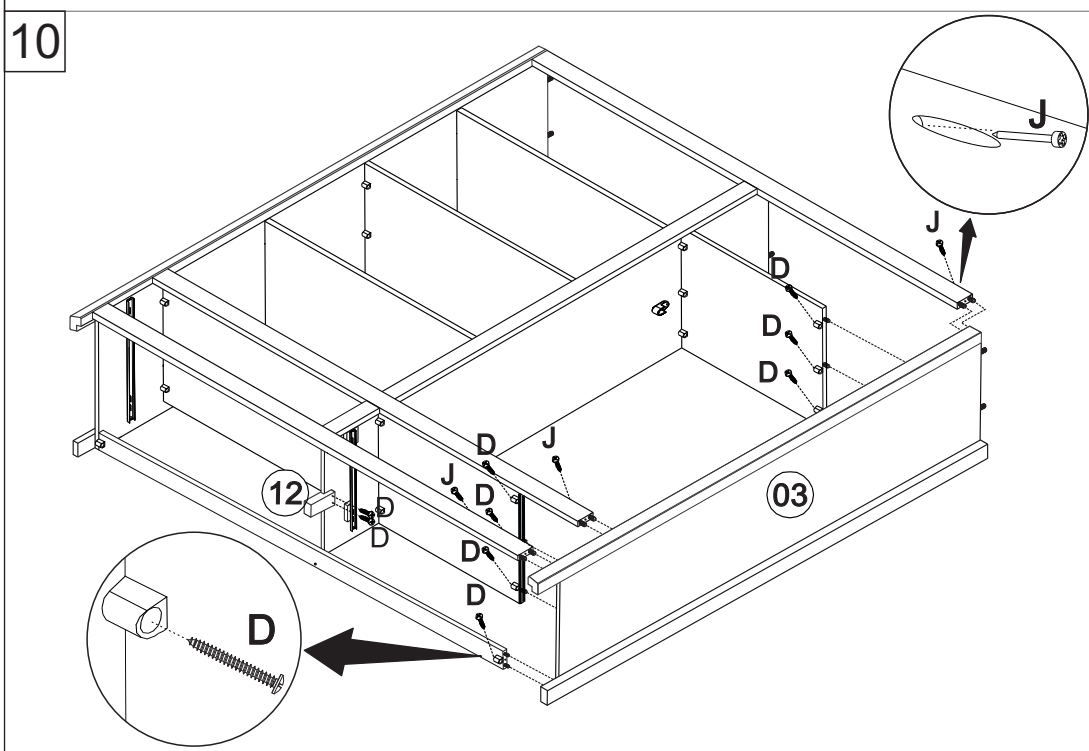
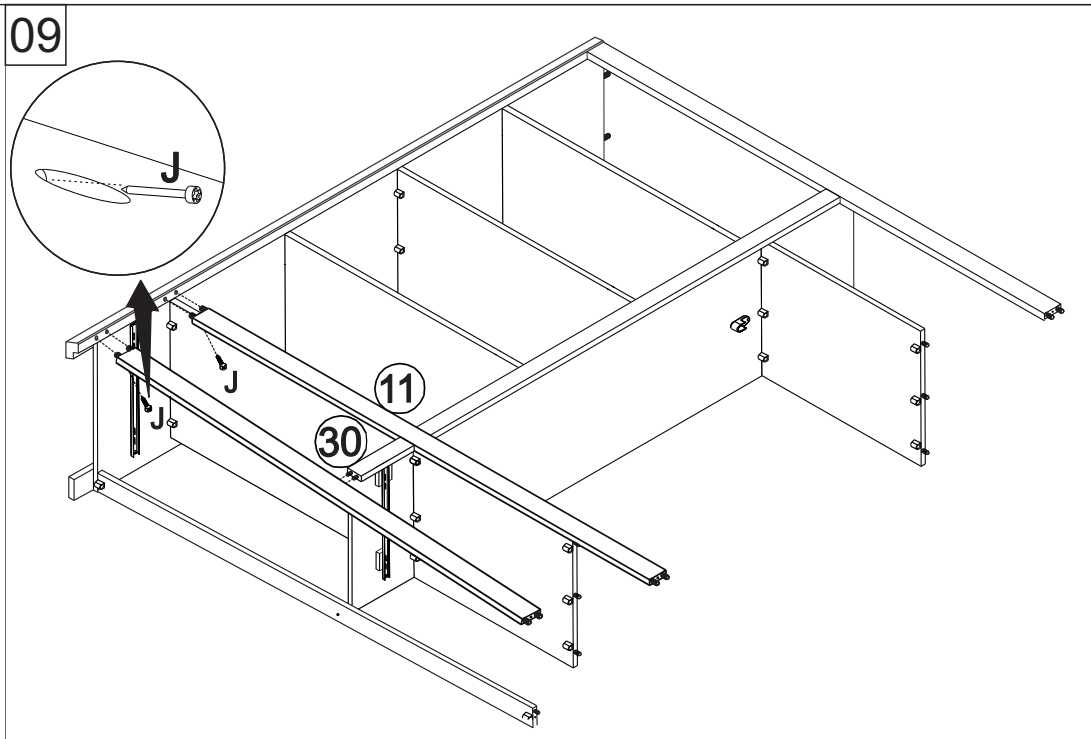
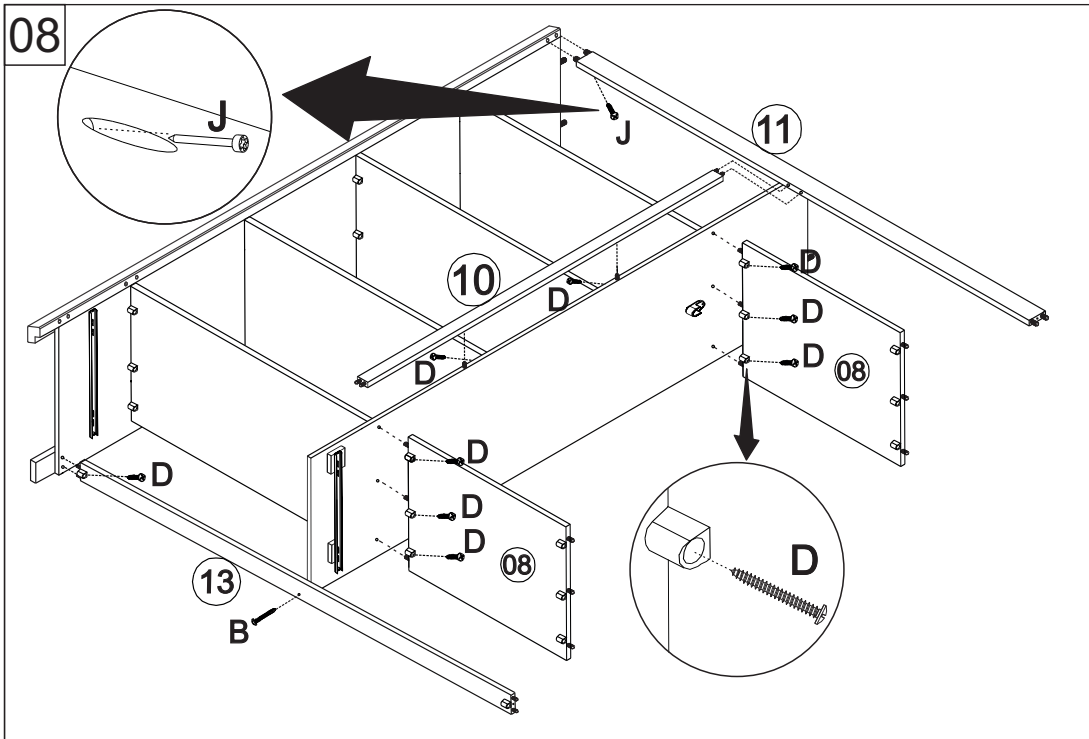


06

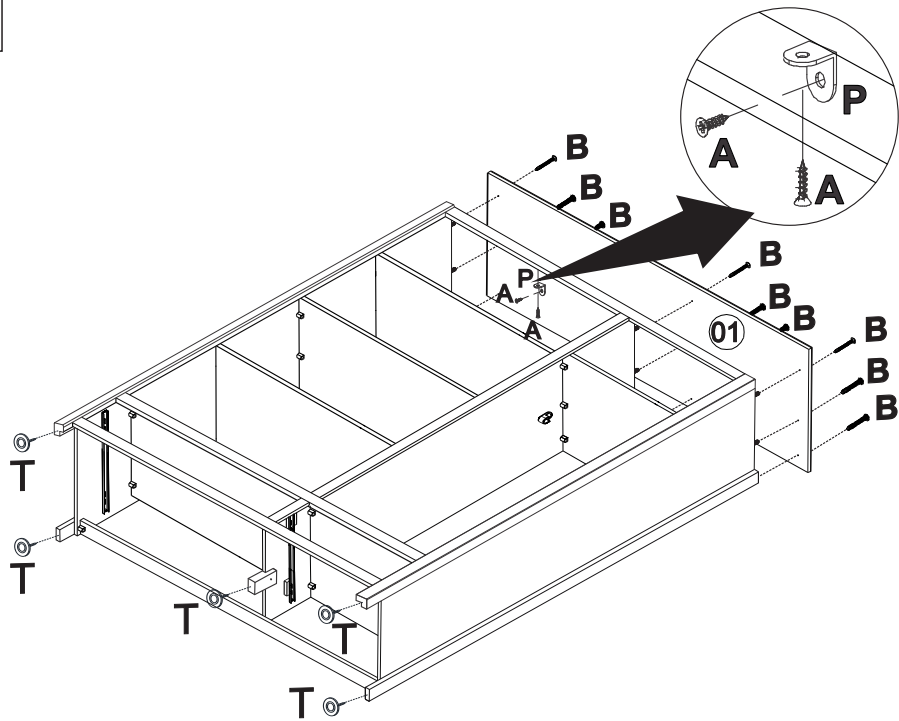


07

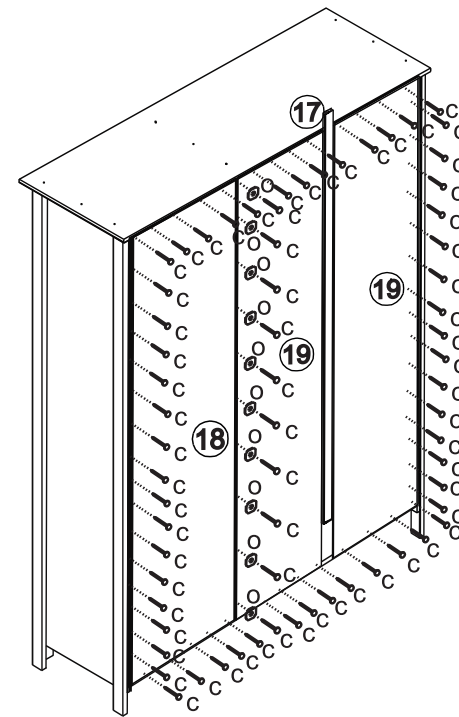




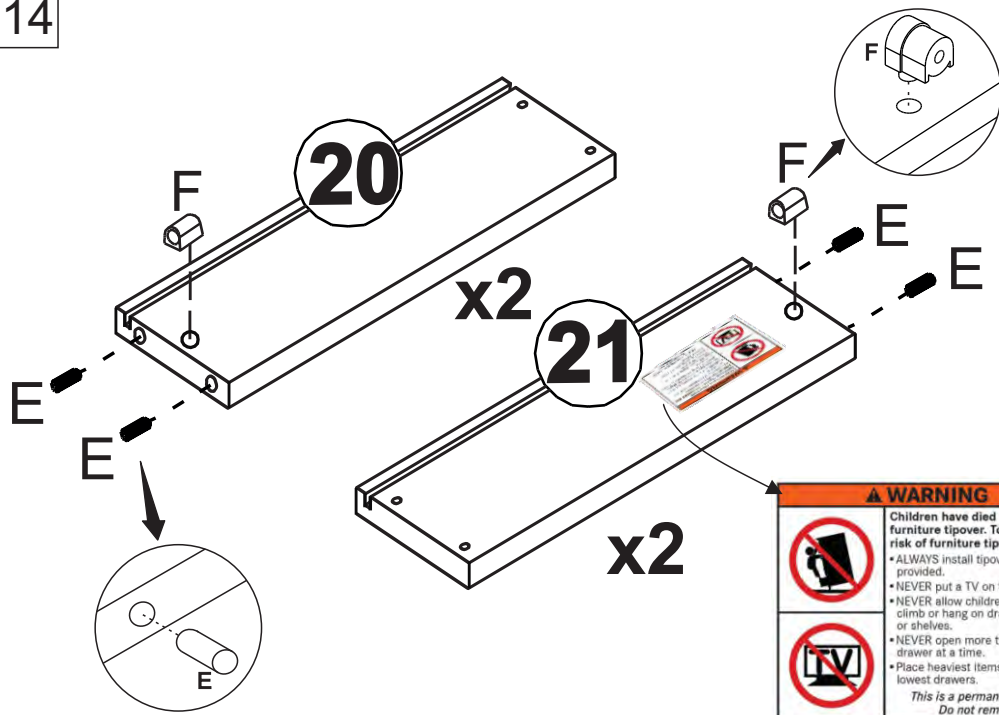
12



13



14



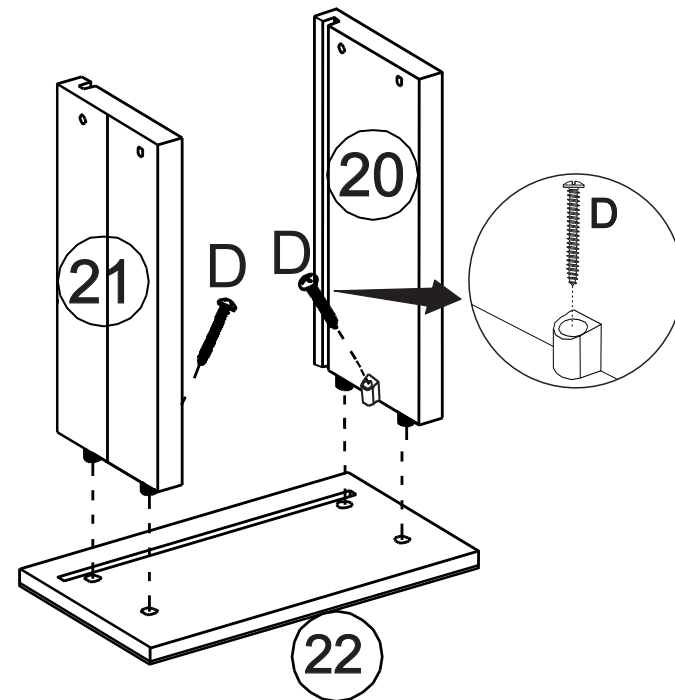
⚠ WARNING

Children have died from furniture tipover. To reduce the risk of furniture tipover:

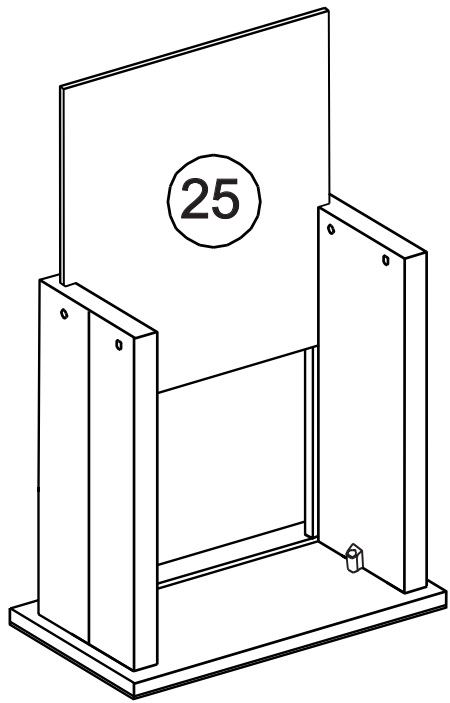
- ALWAYS install tipover restraint provided.
- NEVER put a TV on this product.
- NEVER allow children to stand, climb or hang on drawers, doors, or shelves.
- NEVER open more than one drawer at a time.
- Place heaviest items in the lowest drawers.

This is a permanent label. Do not remove!

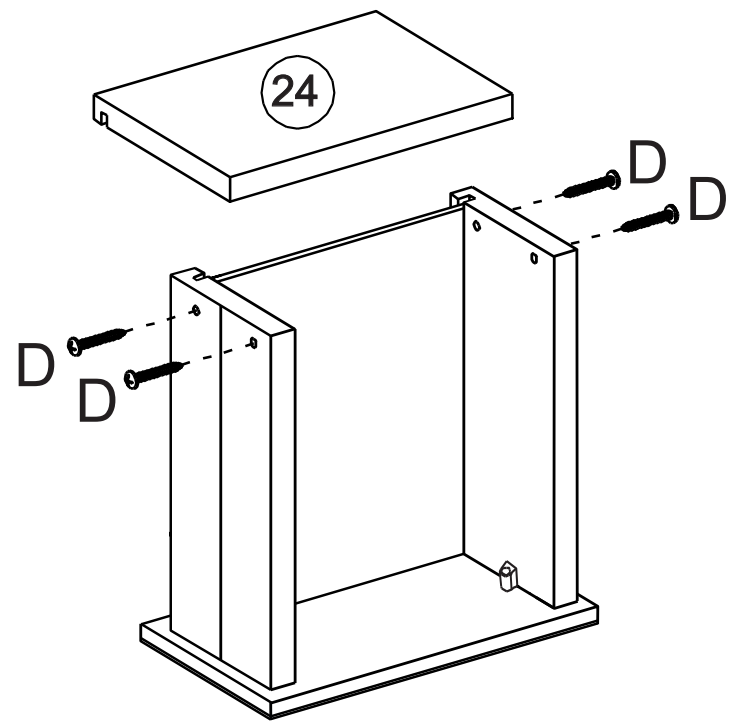
15



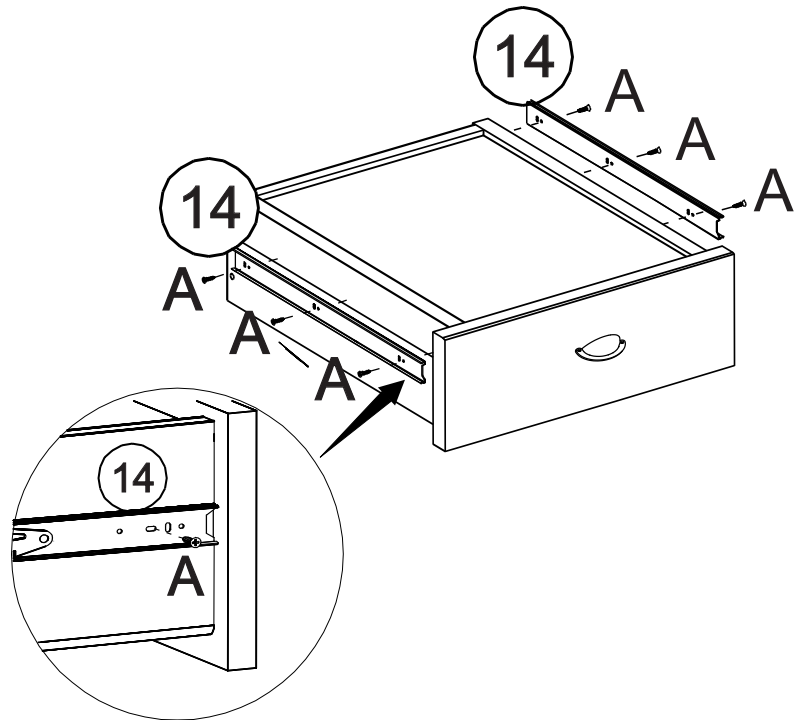
16



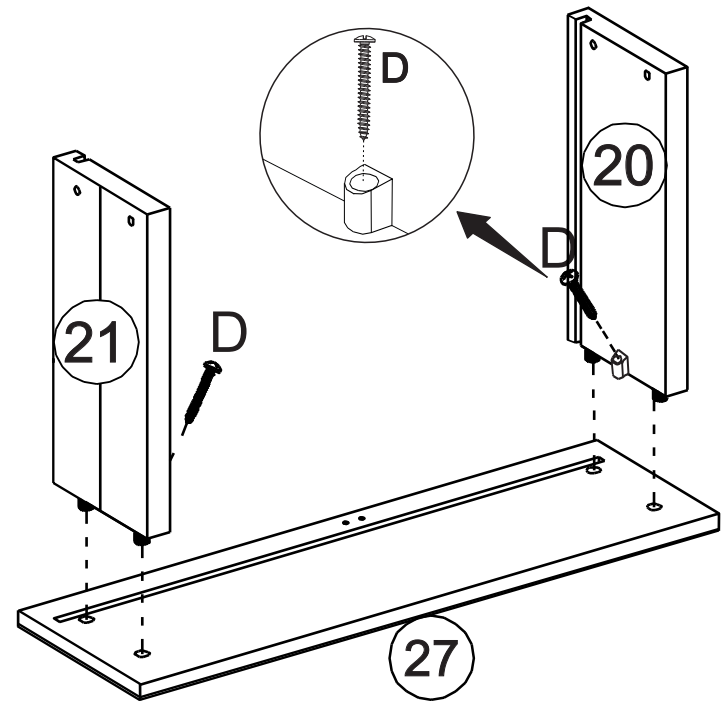
17



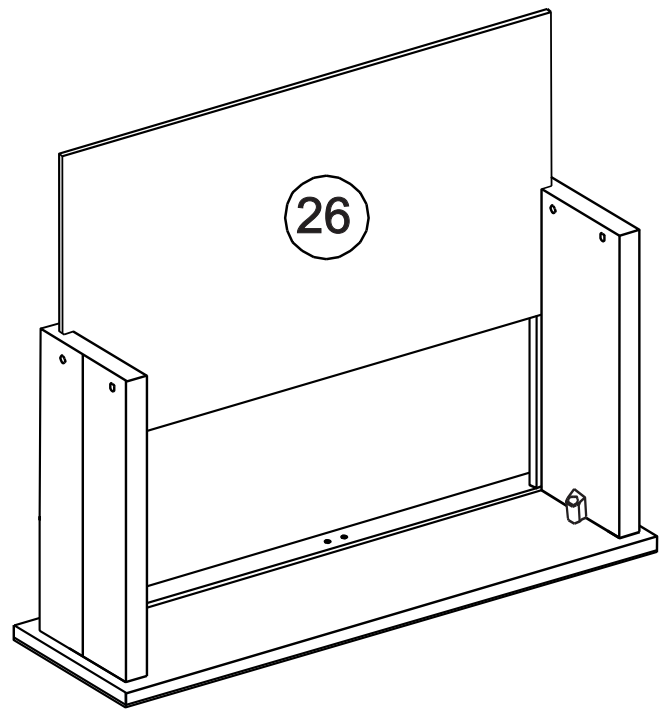
18



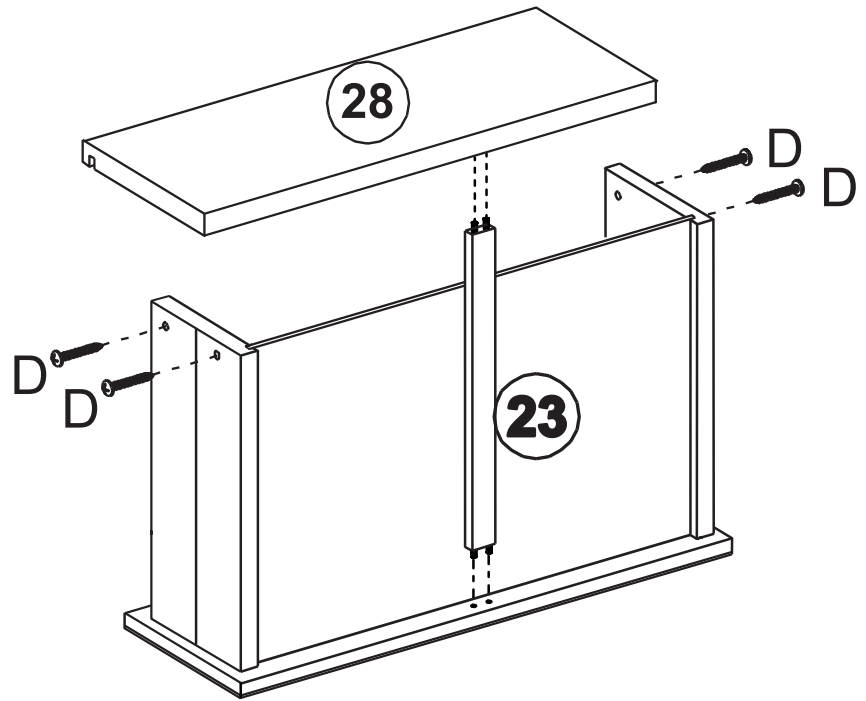
19



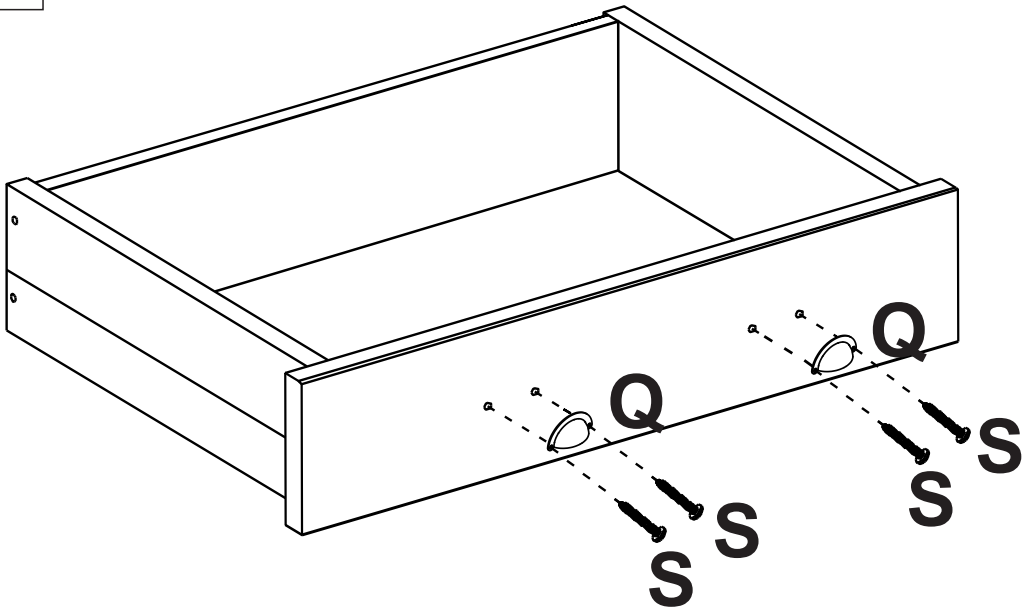
20



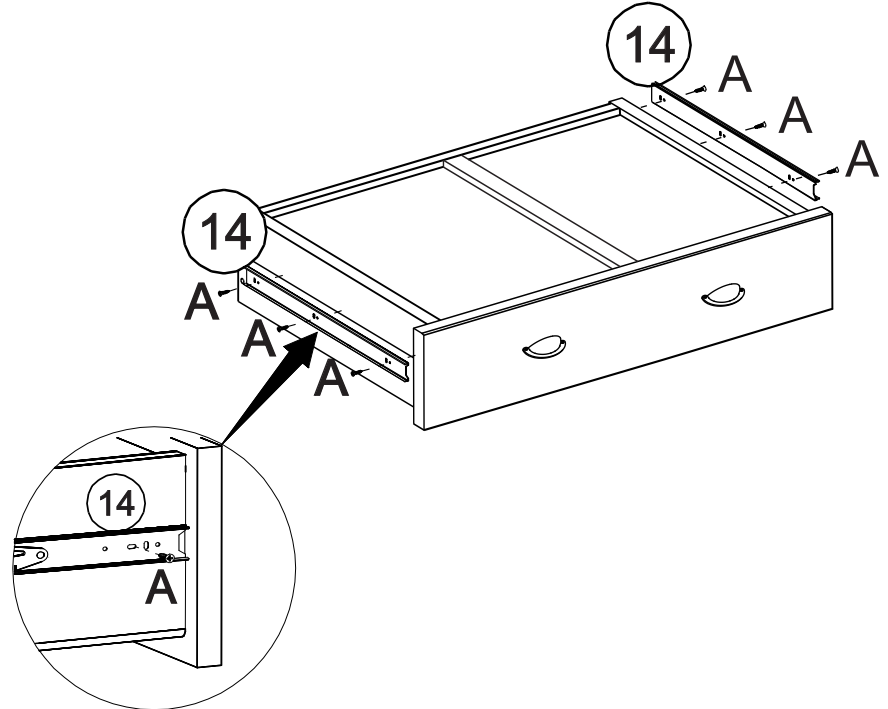
21



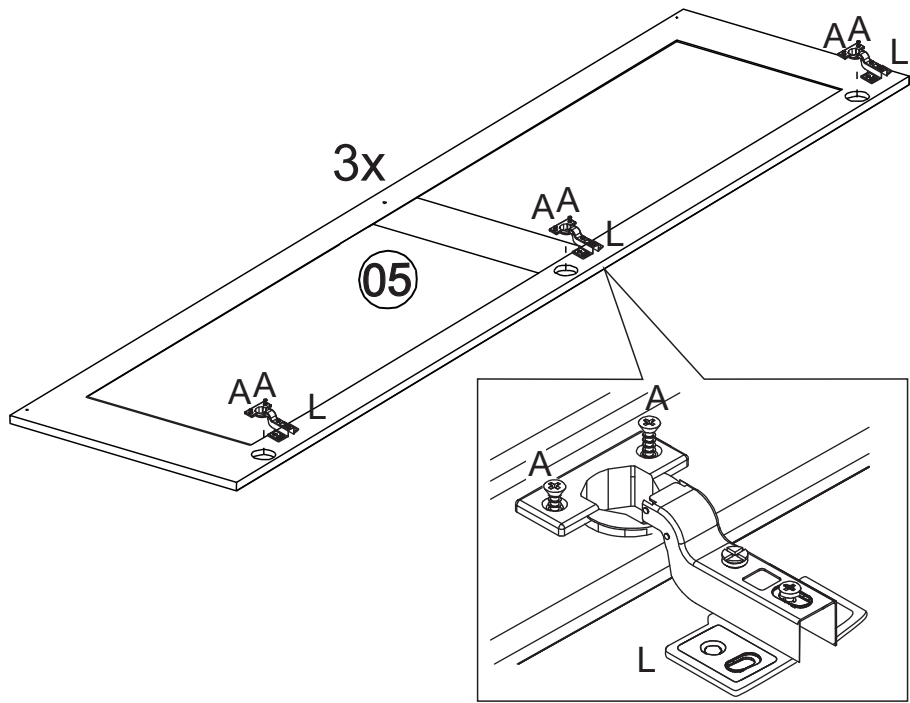
22



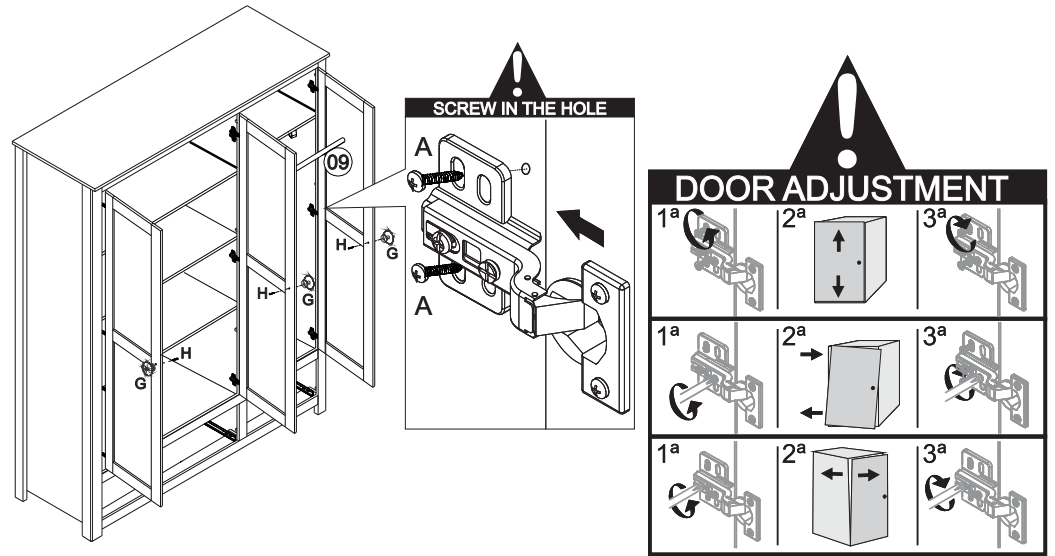
23



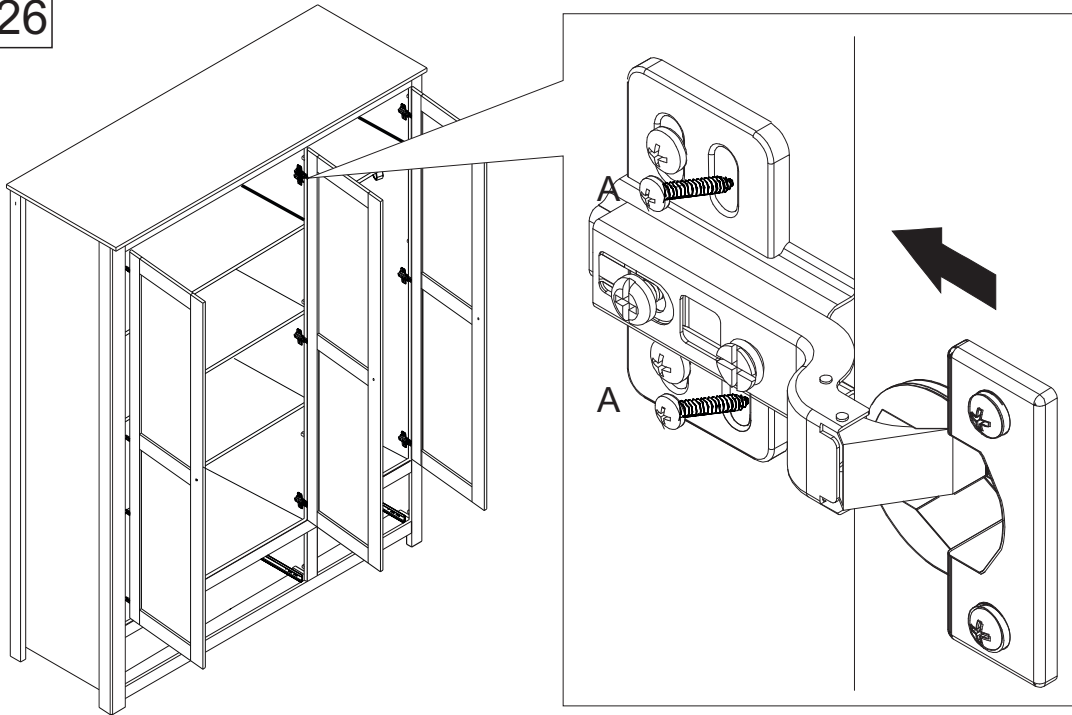
24



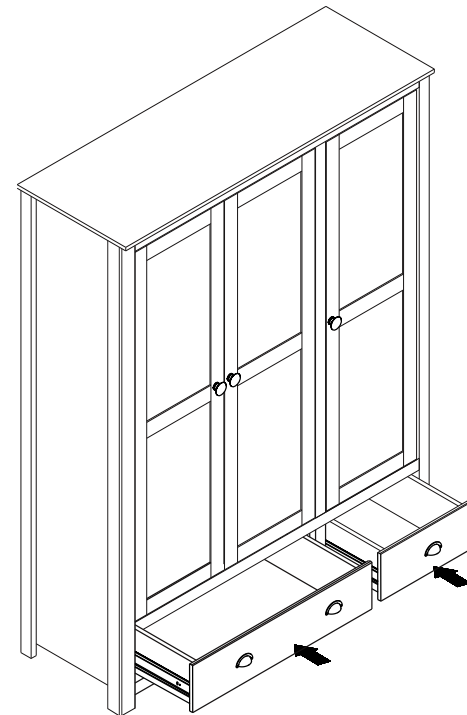
25



26



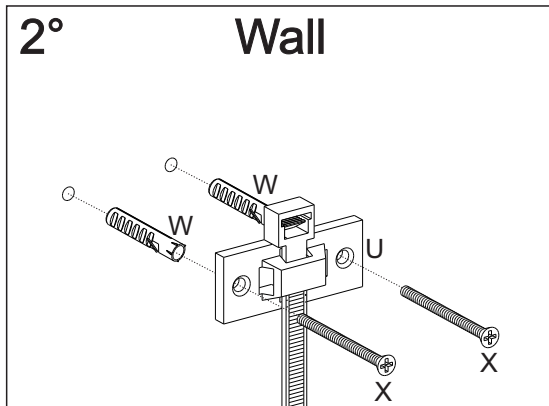
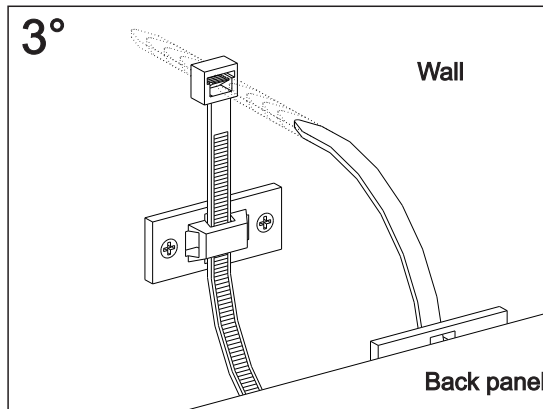
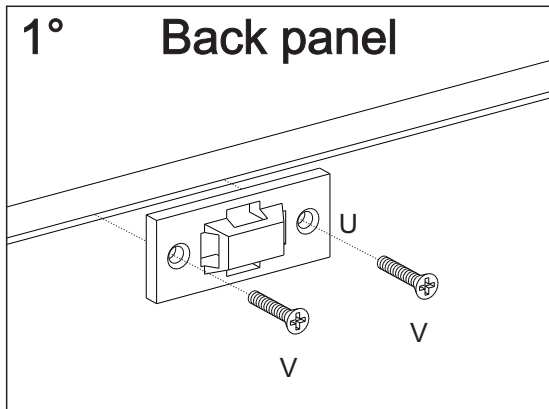
27



WARNING

Serious or fatal injuries can occur from furniture tipping over. To prevent the furniture from tipping over we recommend that it is permanently fixed to the wall.

Wall anchor and hardware are included with this product. Please make sure hardware is suitable for your walls before installing, as different wall materials may require different types of anchors.



With drilling machine make one hole in the wall,
Insert part (W) in the hole.

Secure part (U) with Screw (V), in the wall.

V		02
U		01
X		02
W		02

