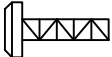
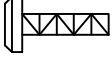
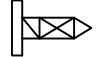
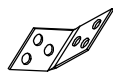




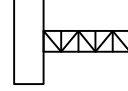
ASSEMBLY INSTRUCTIONS

NOTE: DON'T TIGHTEN SCREWS UNTIL COMPLETELY ASSEMBLED!

Hardware List

A		M6x10 mm	6
B		M8x15 mm	16
C		M5x10 mm	4
D			1

Hardware List

E		M6	1
F		M8	1
G			6

