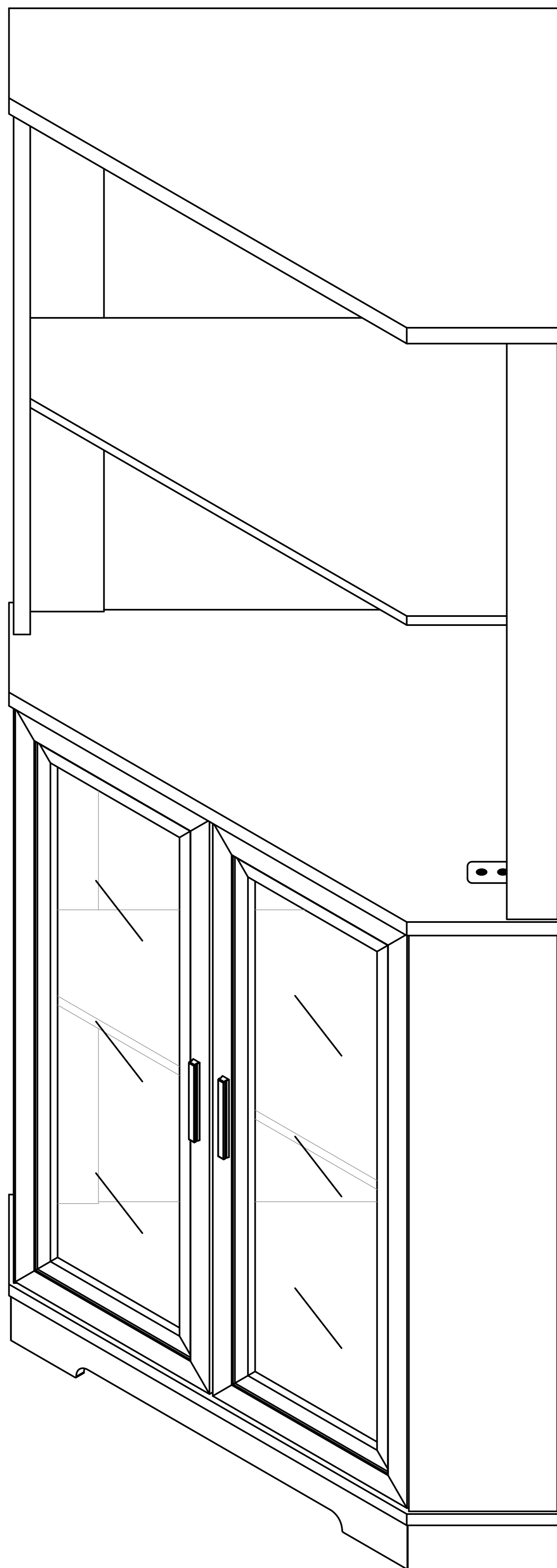
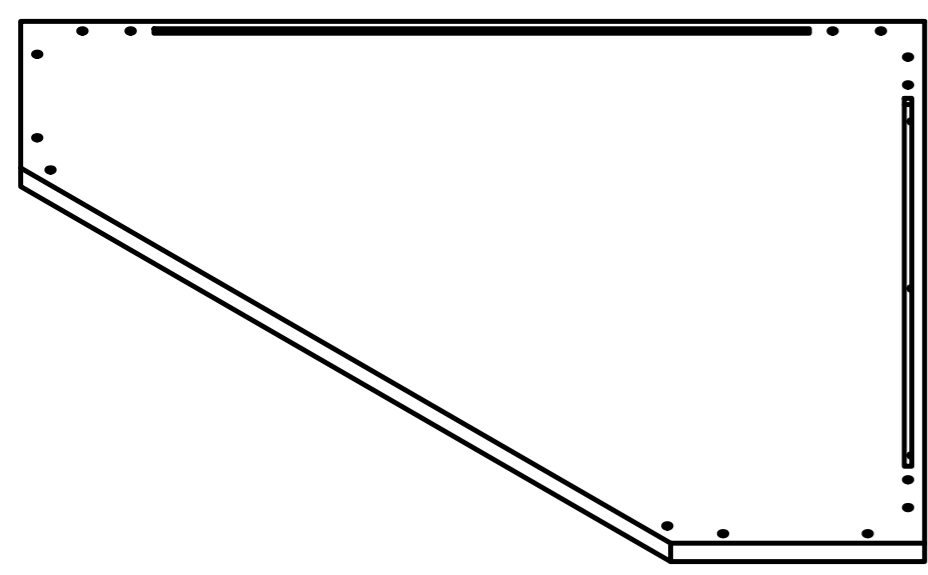
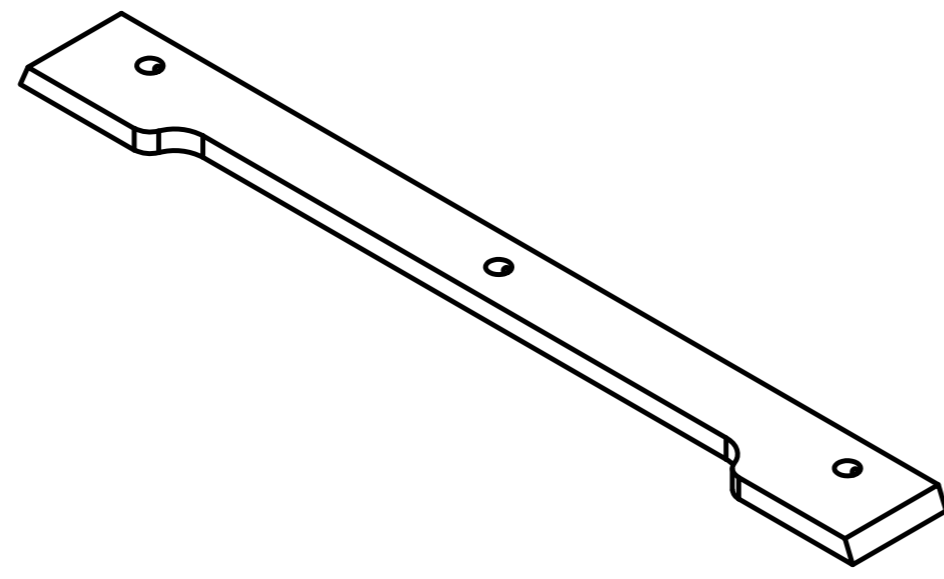


# Product Installation Instructions

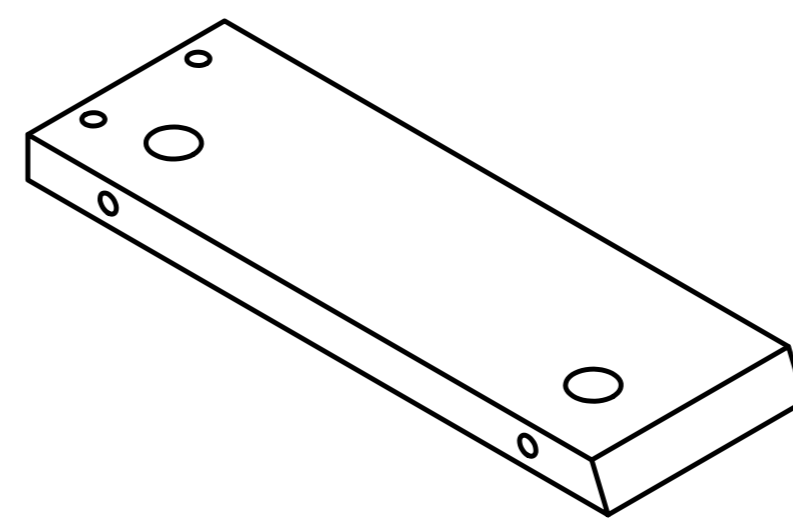




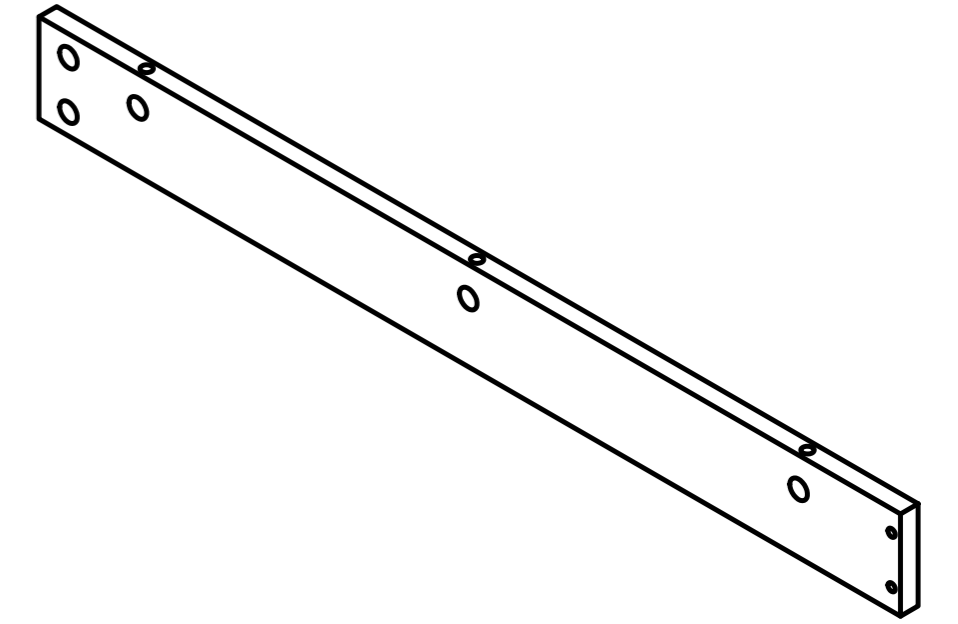
**Ax1**



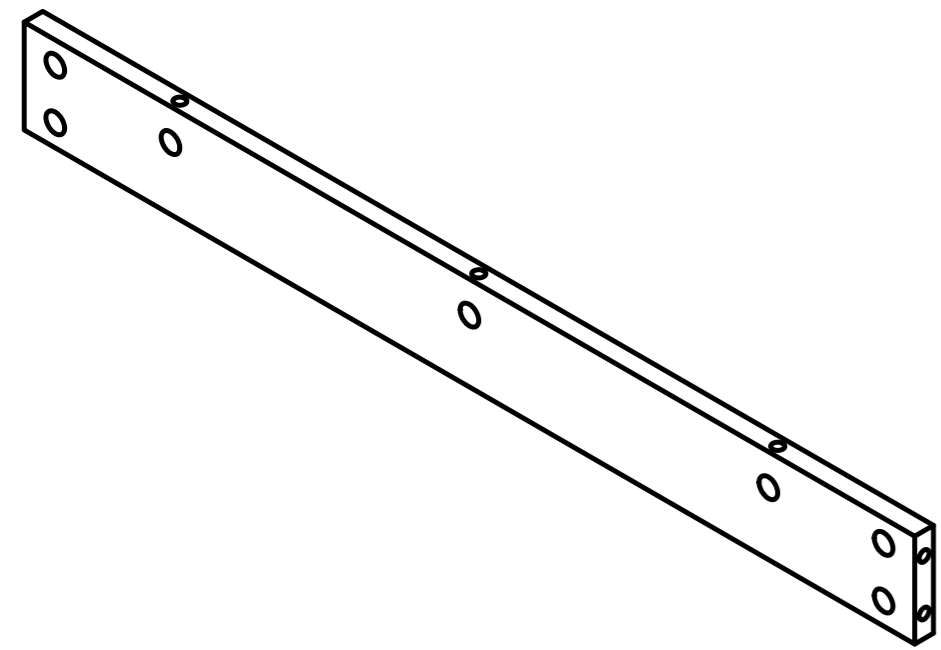
**Bx1**



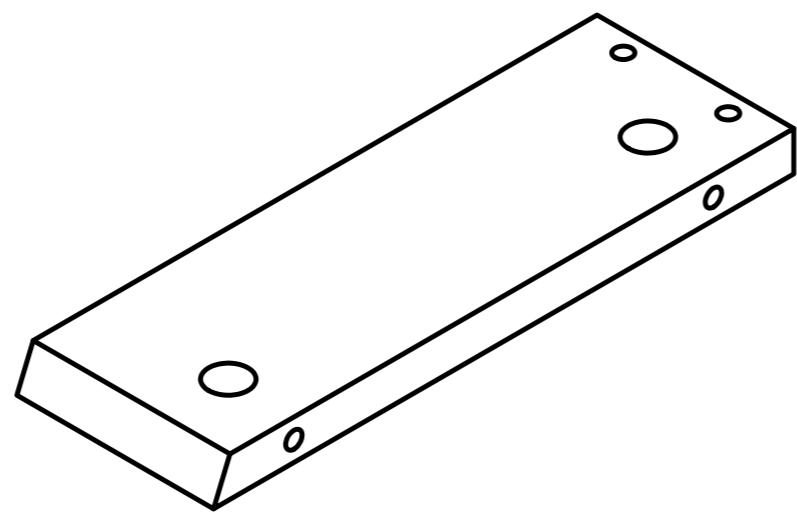
**Cx1**



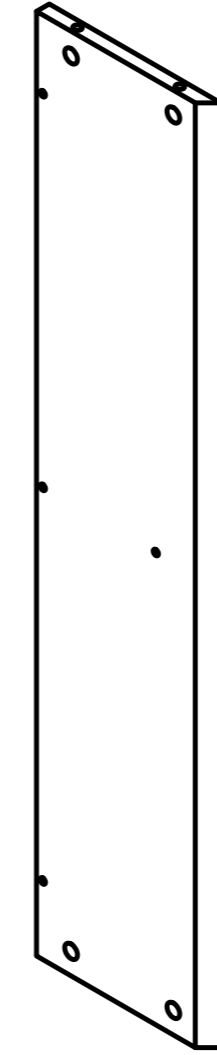
**Dx1**



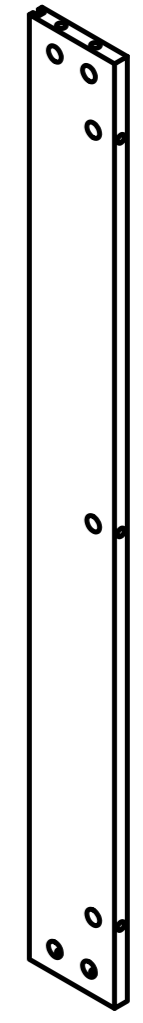
**Ex1**



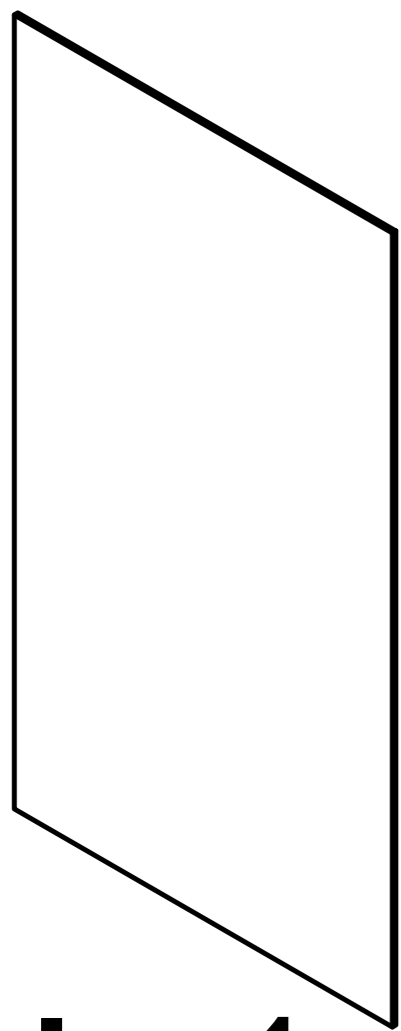
**Fx1**



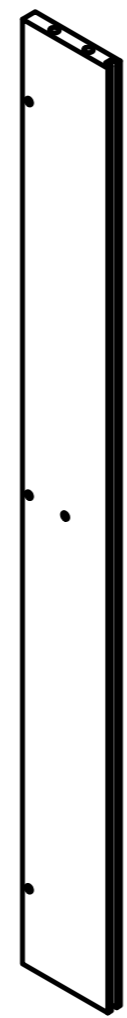
**Gx2**



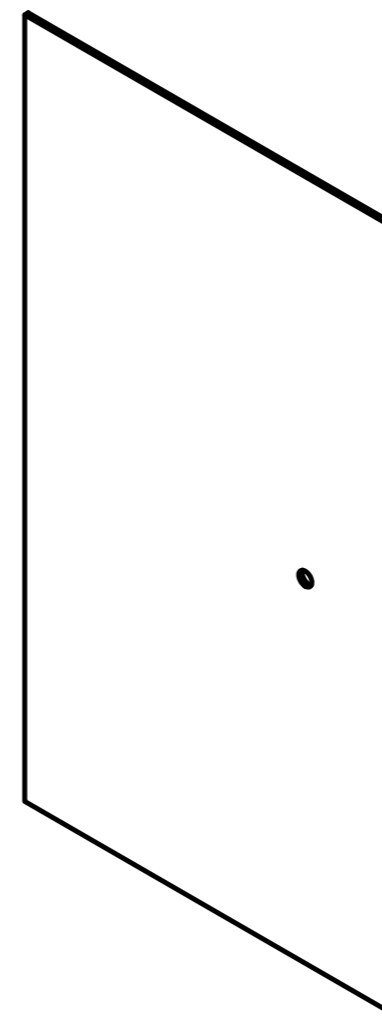
**Hx6**



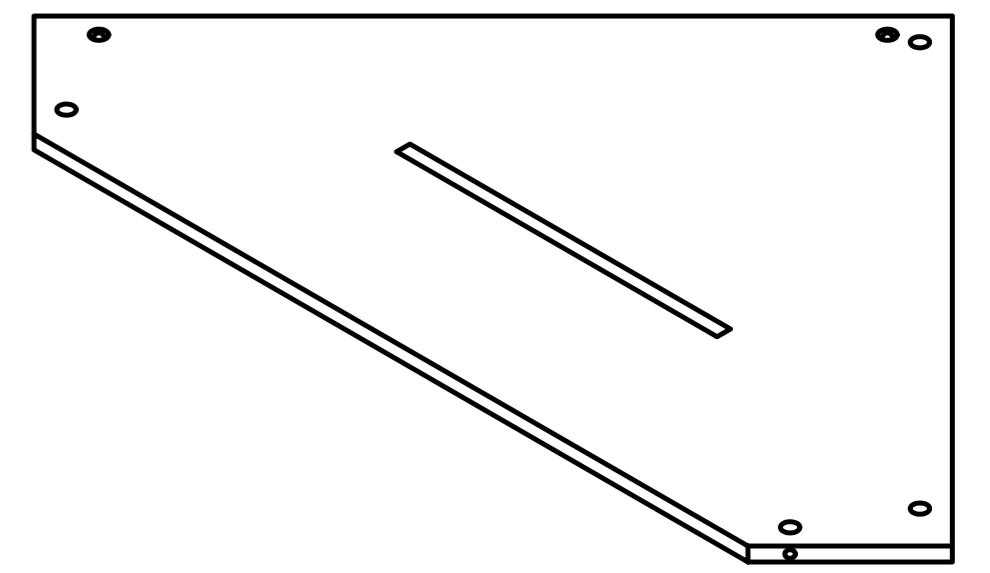
**Ix1**



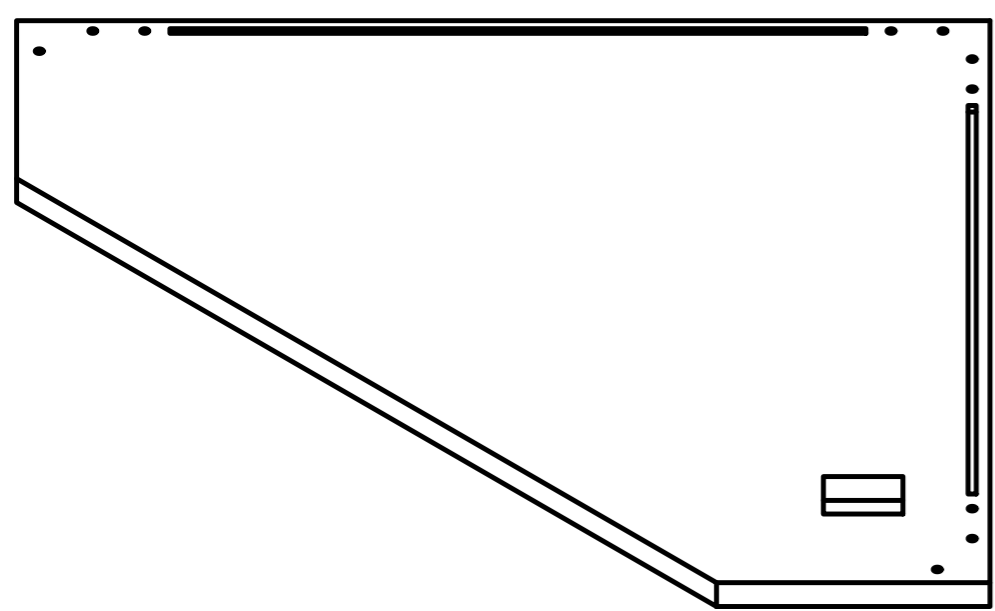
**Jx2**



**Kx1**



**Lx1**



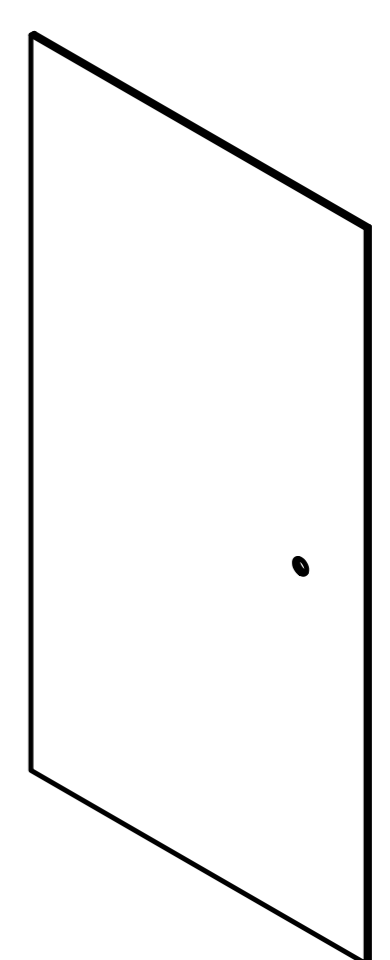
**Mx1**



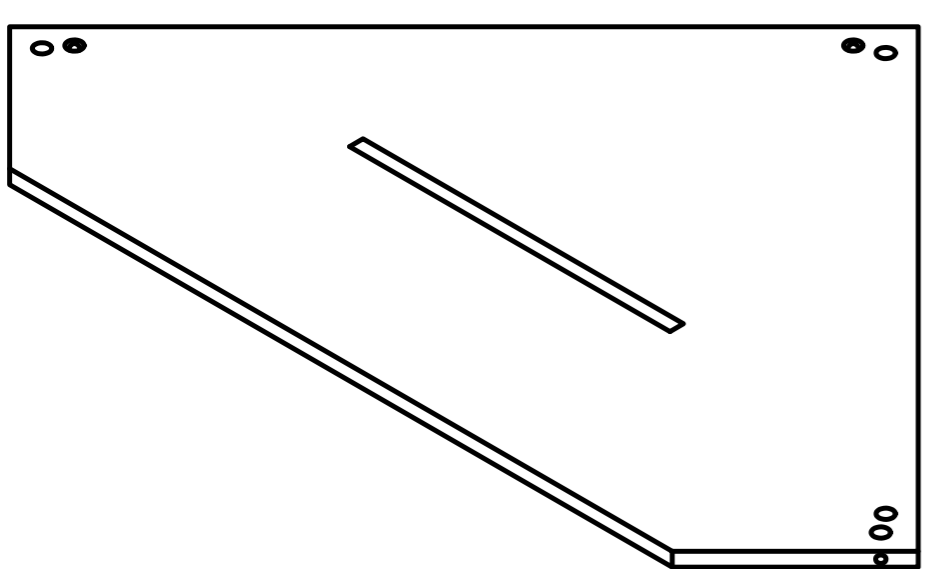
**Nx2**



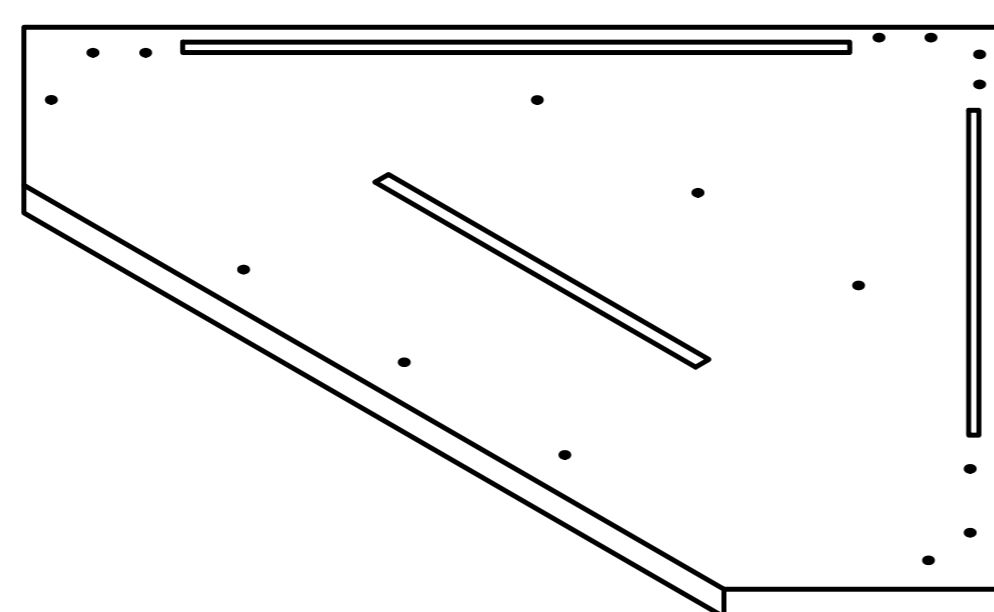
**Ox1**



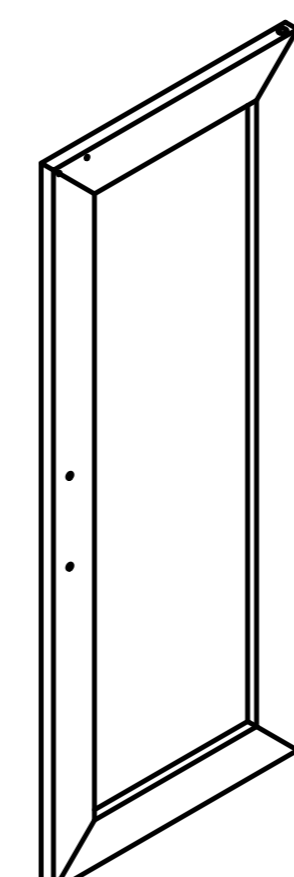
**Px1**



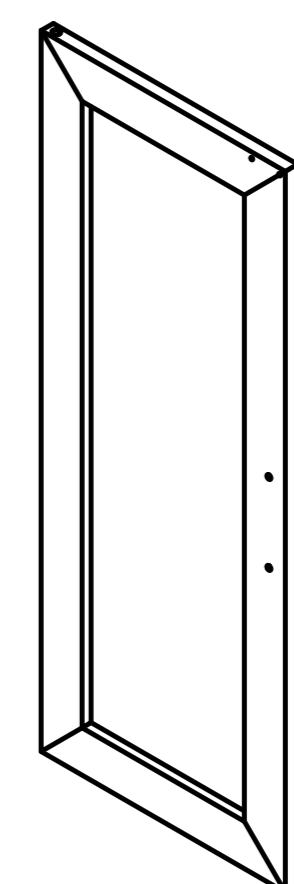
**Qx1**



**Rx1**



**Sx1**

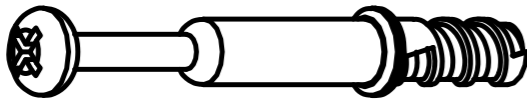
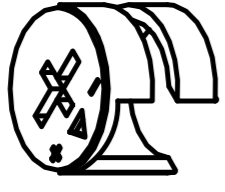

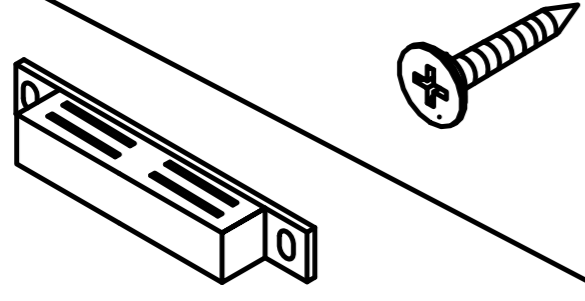
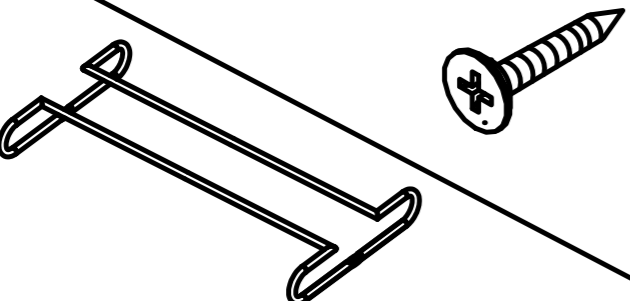
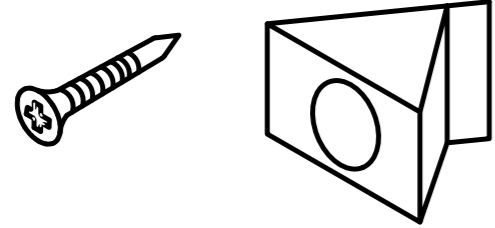
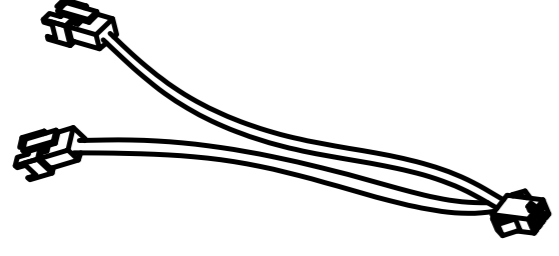
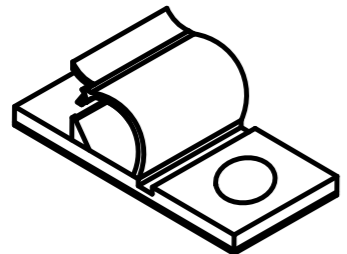
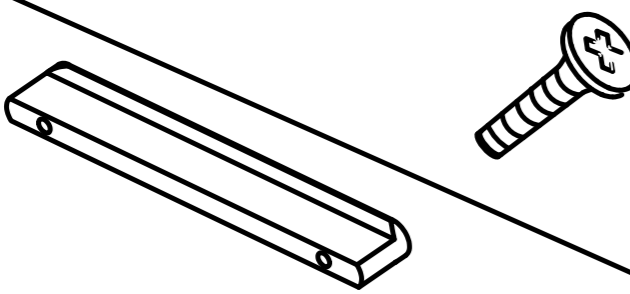
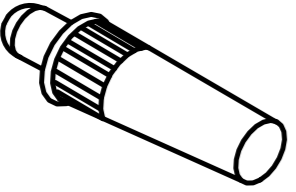
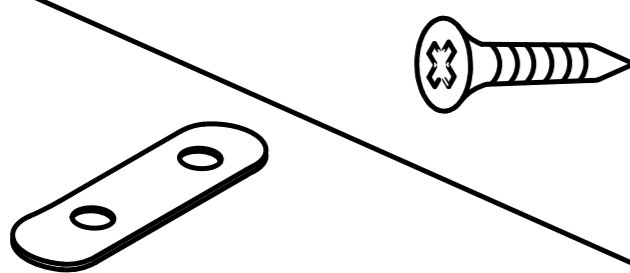
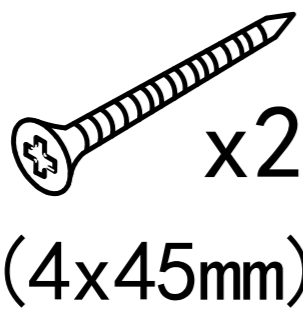
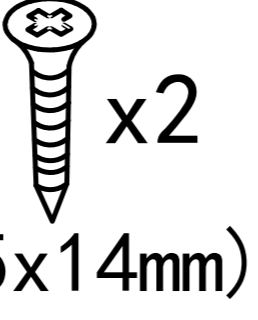

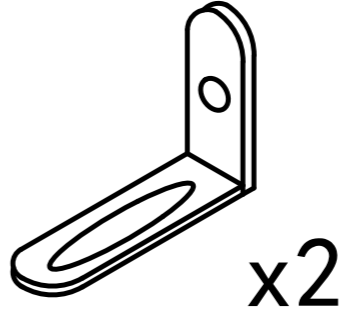
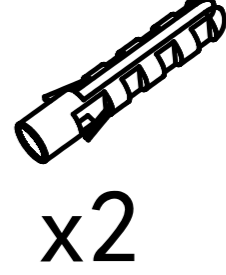
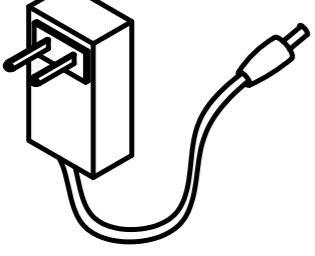
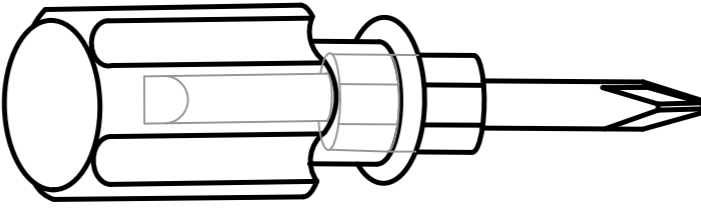
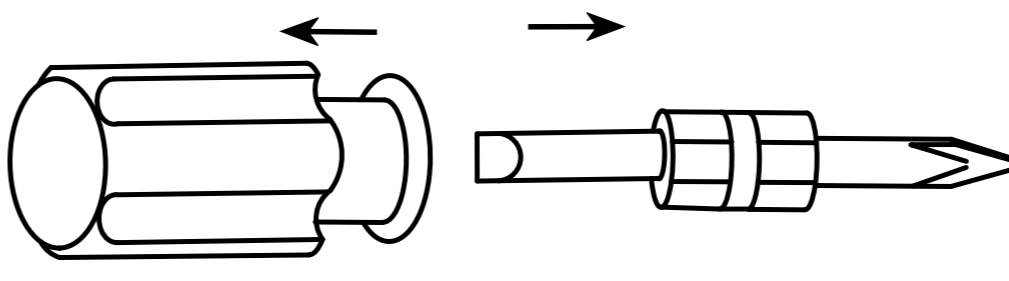


**Tx1**

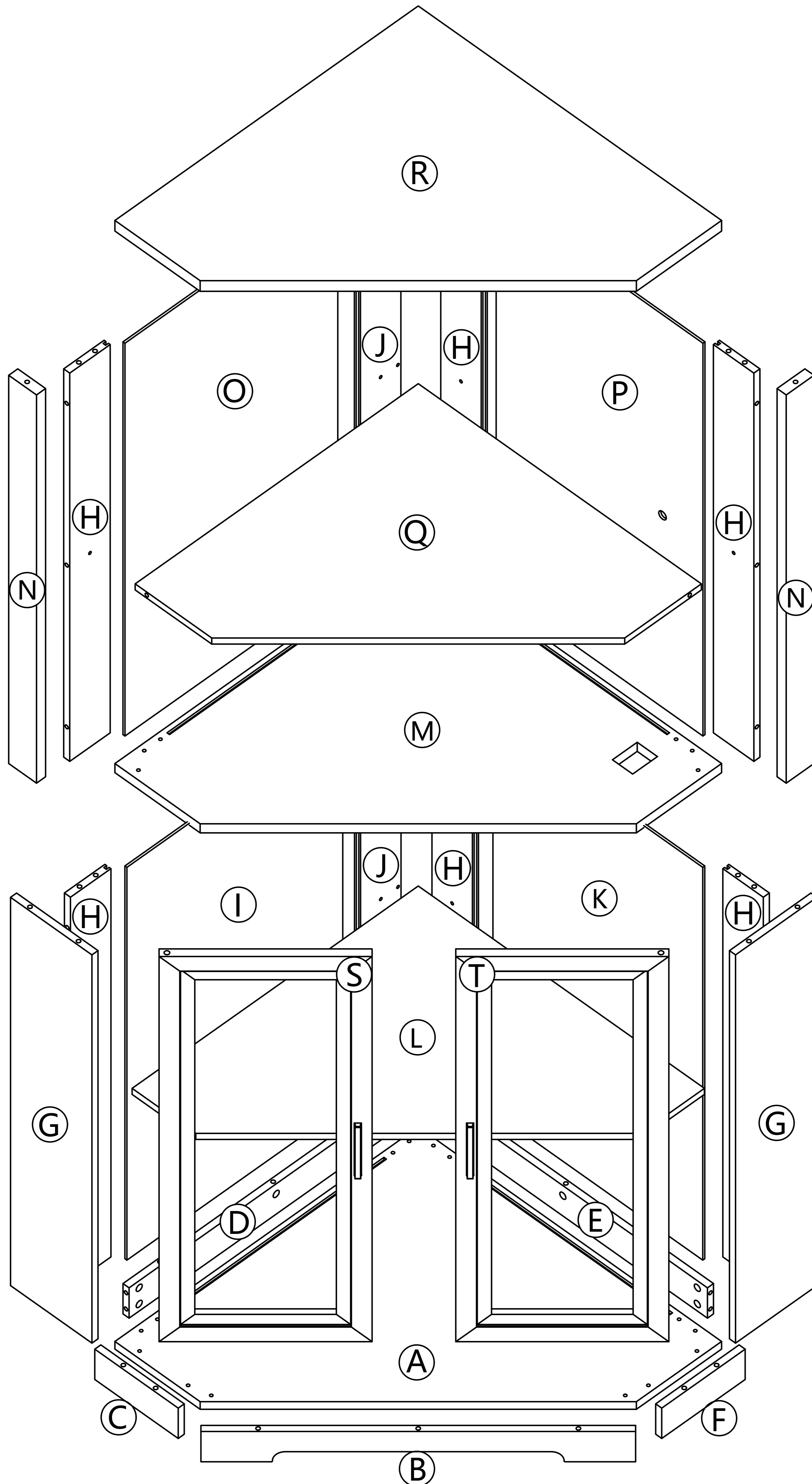


**1**

# Accessories list

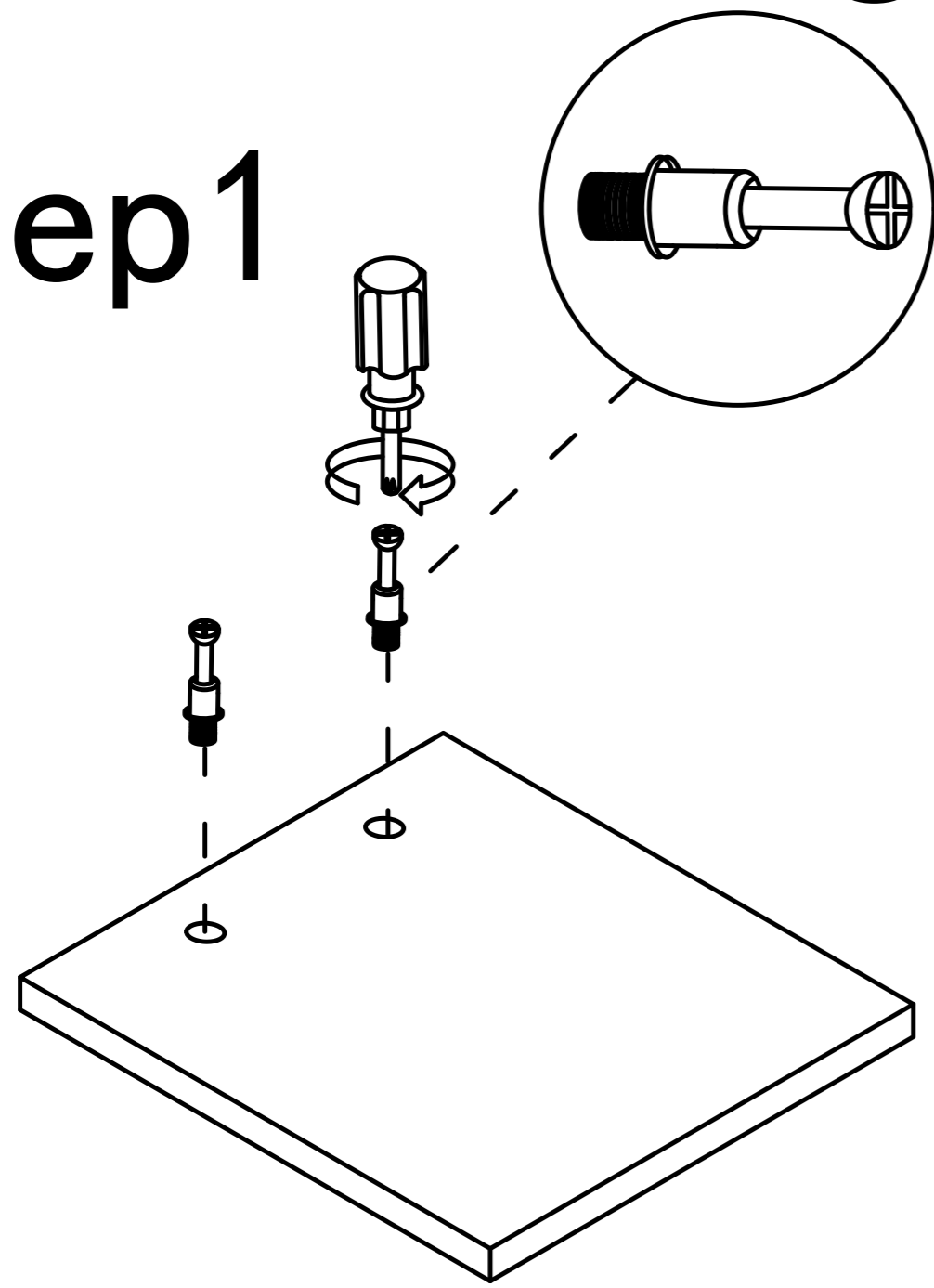
①		Two In One Screw (6x28mm)	93pcs +8pcs
②		Two In One Nut (10x12mm)	93pcs +8pcs
③		Non-slip pads	10pcs +2pcs
④		Magnets & Screw (3x12mm)	2pcs +1pcs 1pcs
⑤		Wine glass hanger & Screw (3x16mm)	6pcs +1pcs 3pcs
⑥		Fixing clip & screw (3x16mm)	16pcs +2pcs
⑦		Double end connecting line	2pcs
⑧		Wire clamp	3pcs +1pcs
⑨		Handle & screw (4x18mm-B)	4pcs +2pcs 2pcs
⑩		Door shaft	4pcs
⑪		Iron sheet & screw (3x10mm)	4pcs +2pcs 2pcs
<b>Anti Fall Hardware</b>			
⑫	 x2 (4x45mm)  x2 (3.5x14mm)  x4  x2  x2		
	AC/DC Adapter (12V=2.0A)		1pcs
 1pcs  Double-head screwdriver, use as required			2

# Product structure decomposition

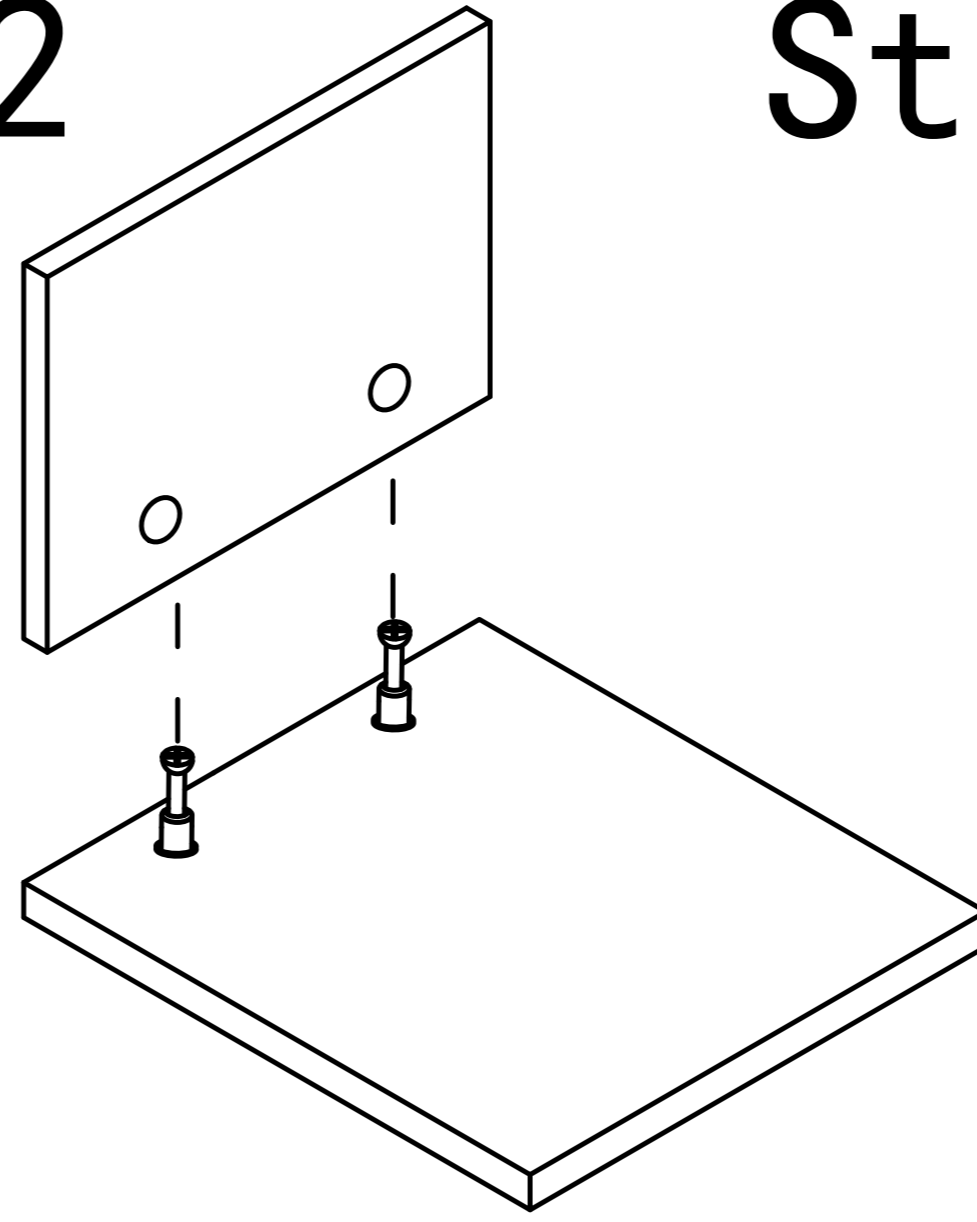


# Use parts ① and ②

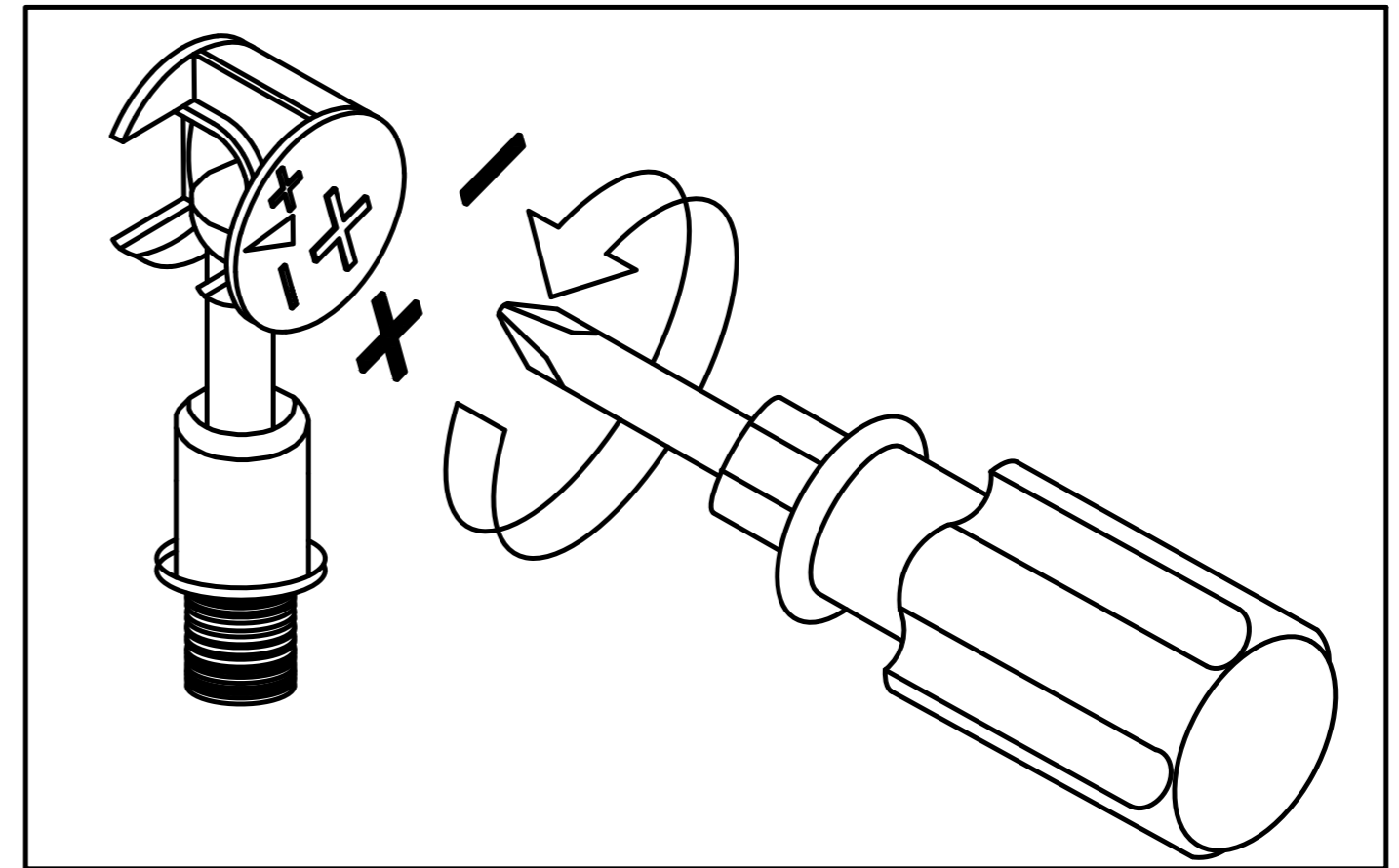
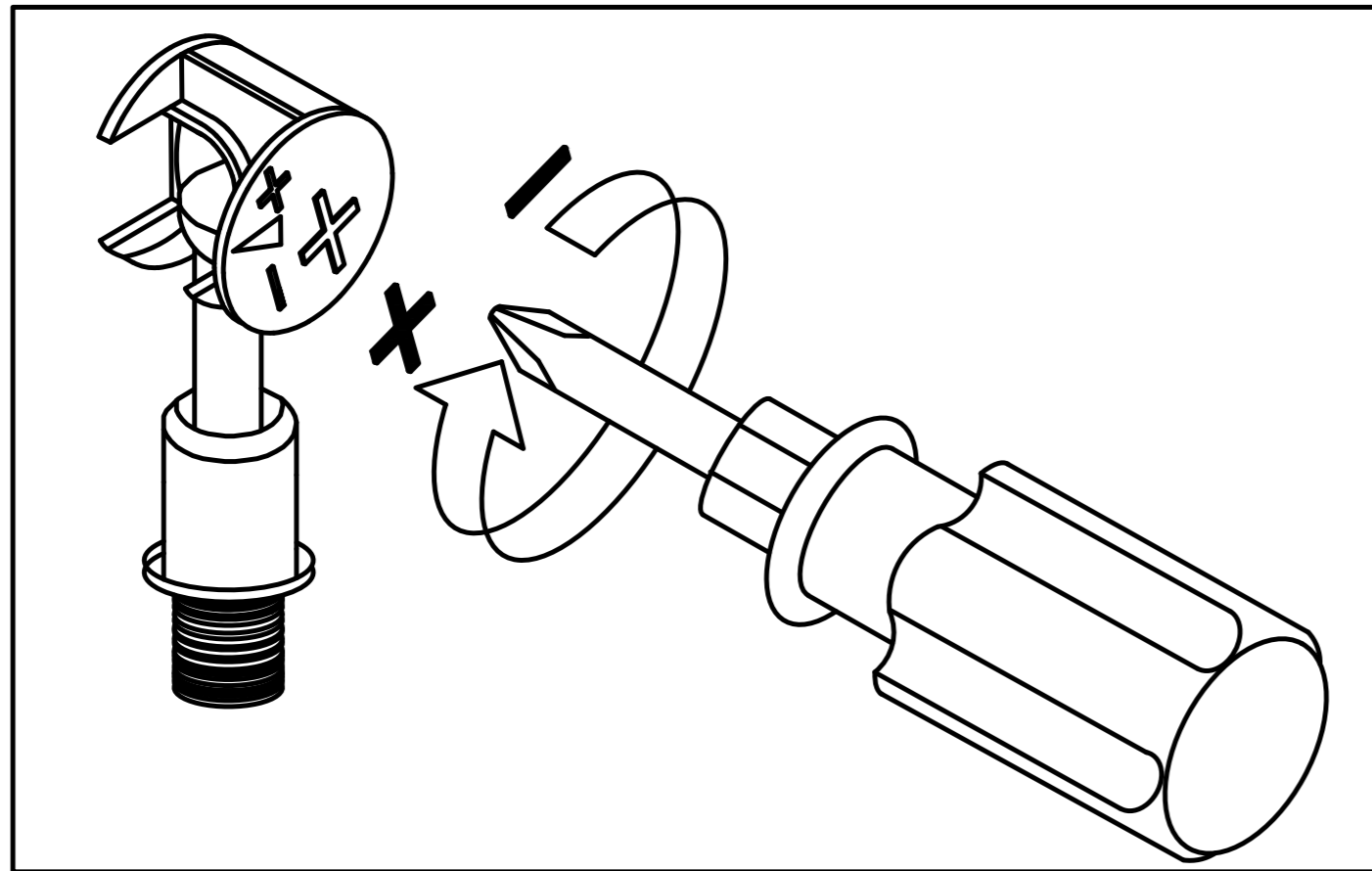
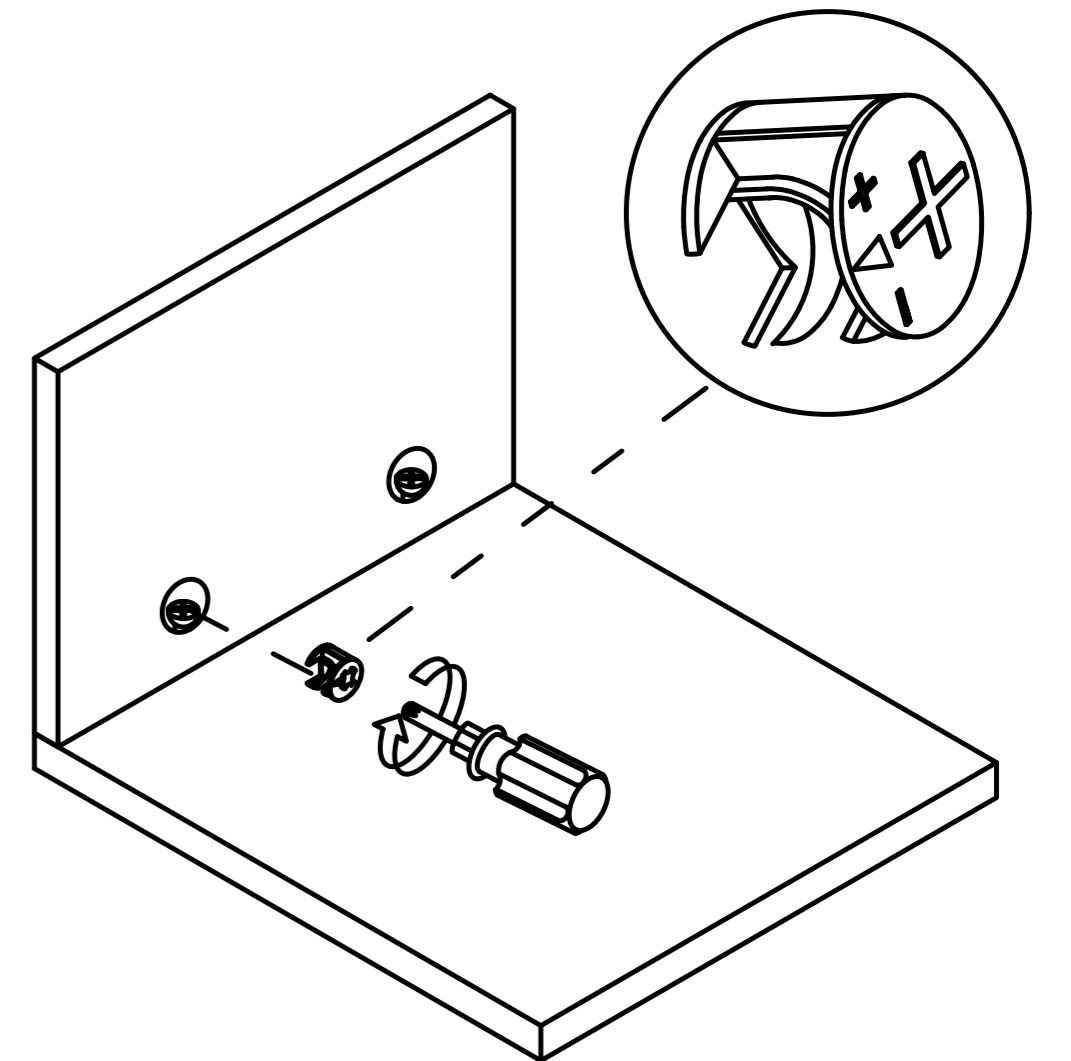
Step 1



Step 2



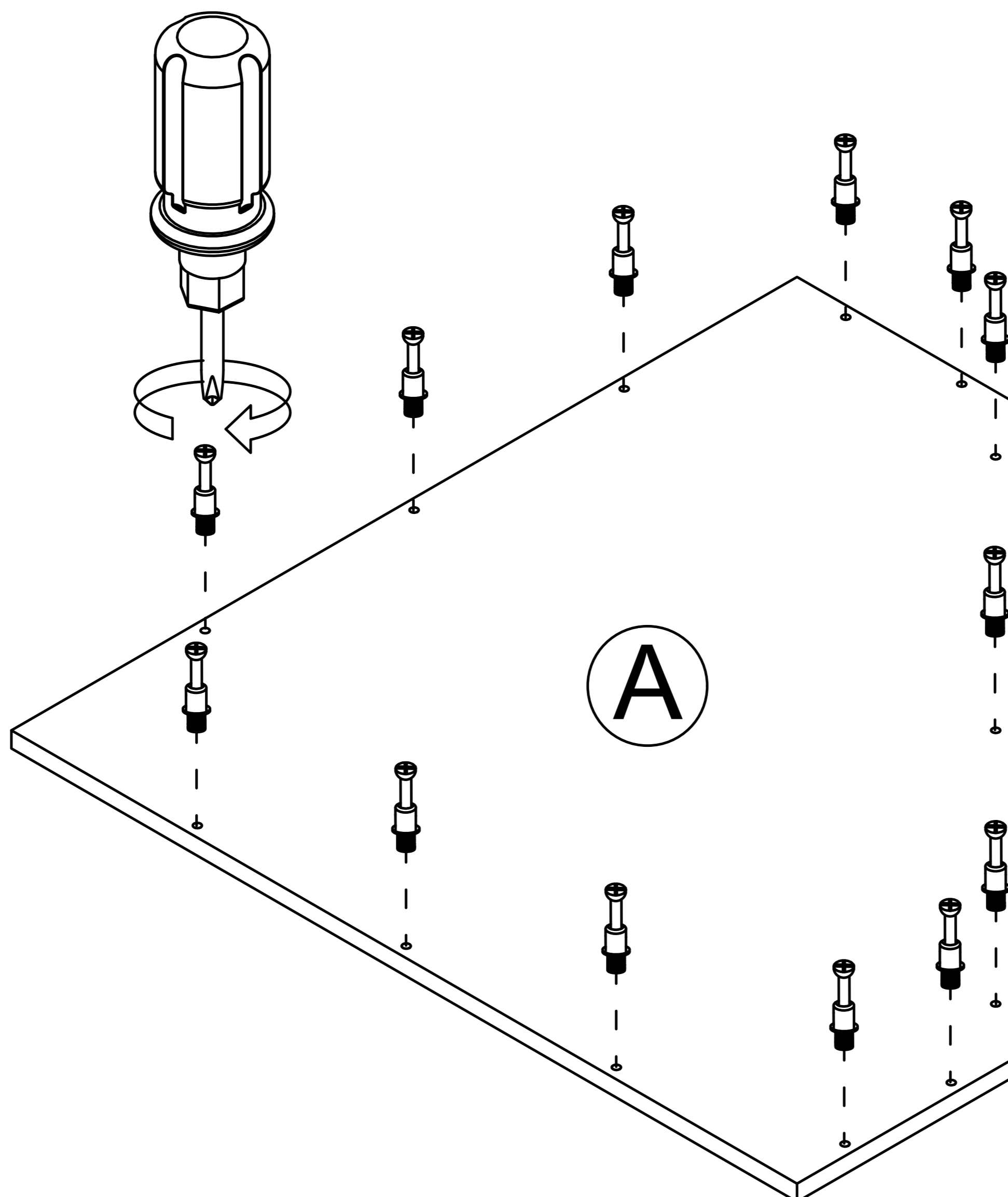
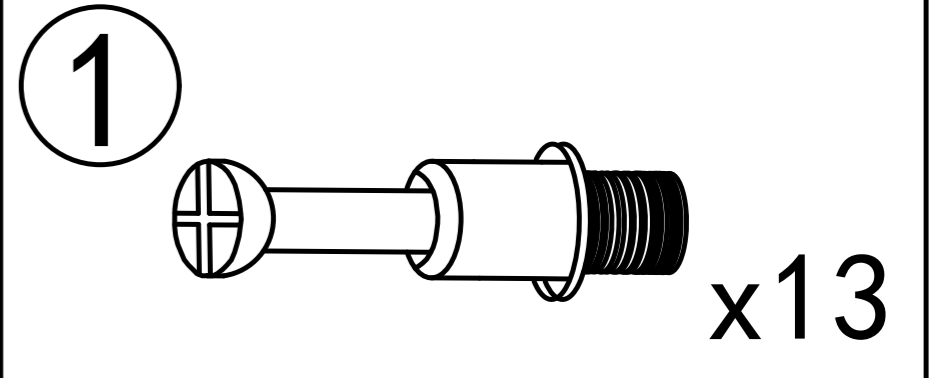
Step 3



Use a screwdriver to lock in the direction of the "+" sign

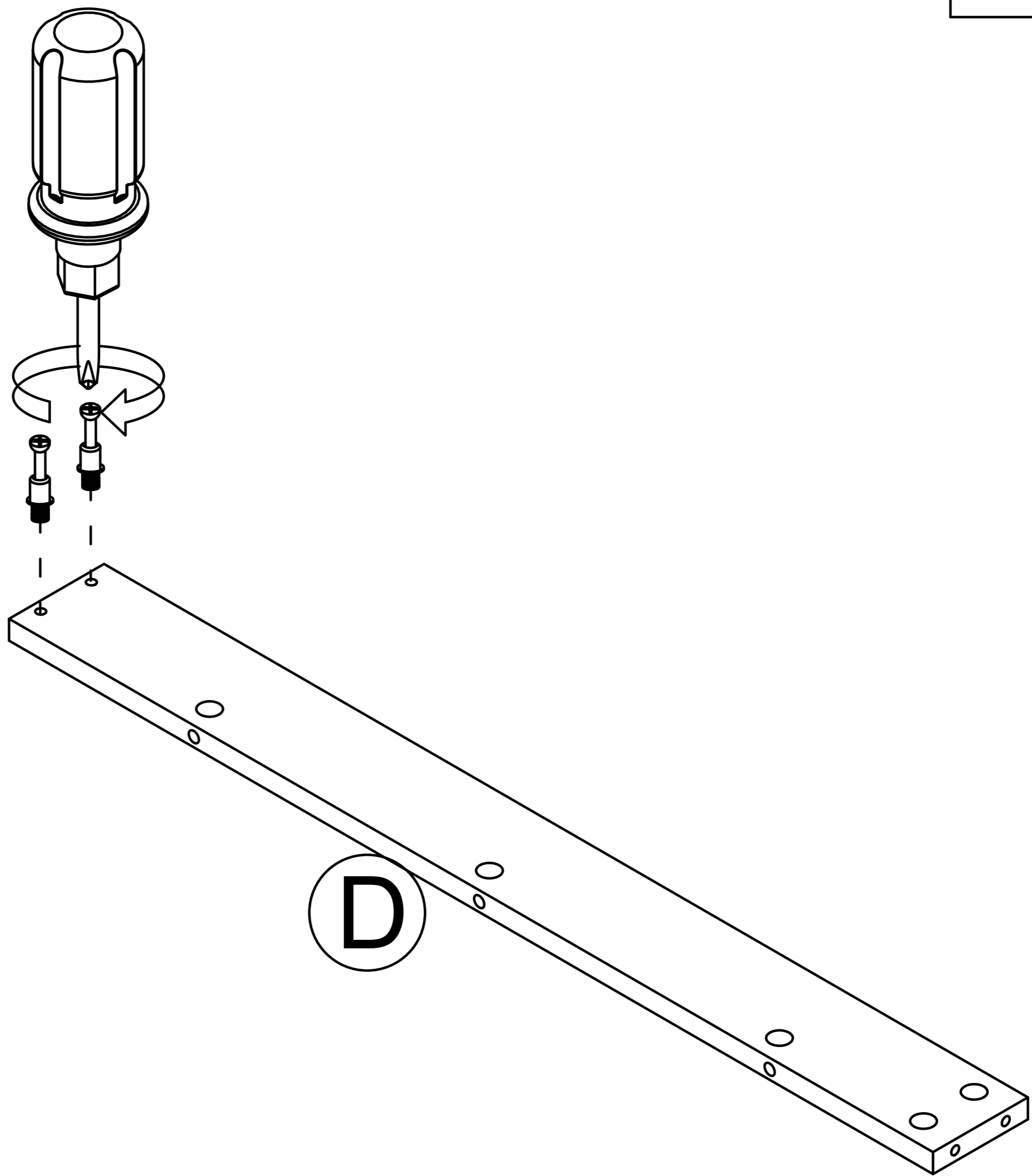
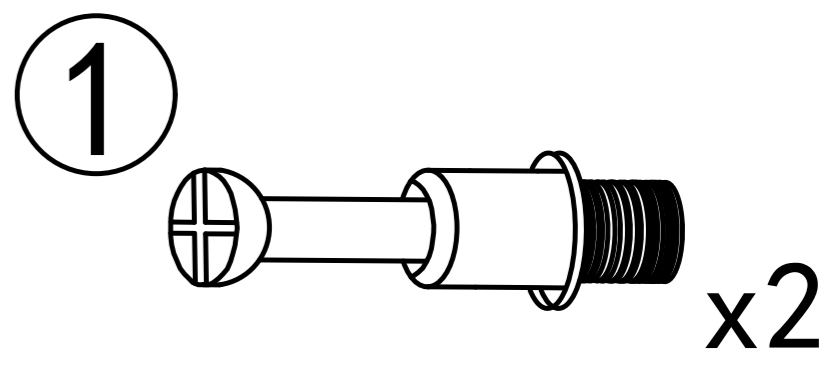
Disassemble along the direction of "-" sign

Step 1

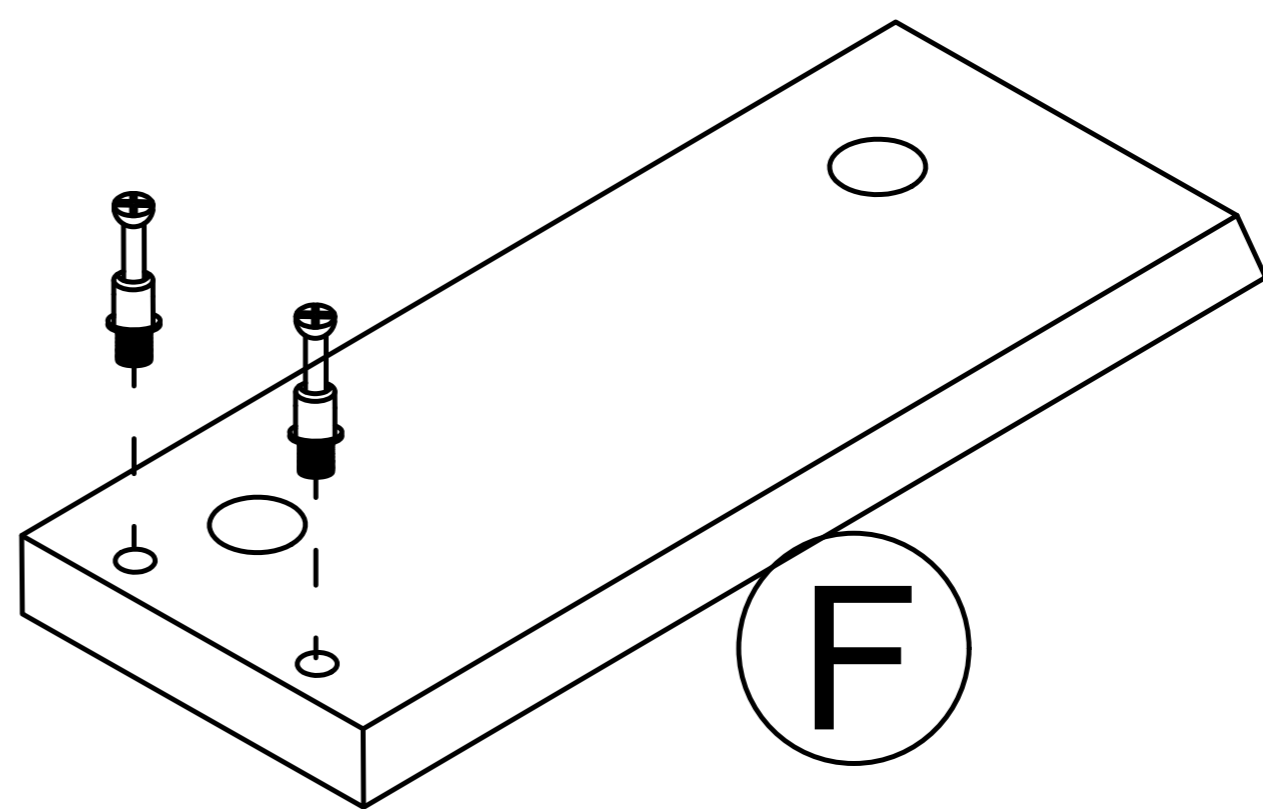
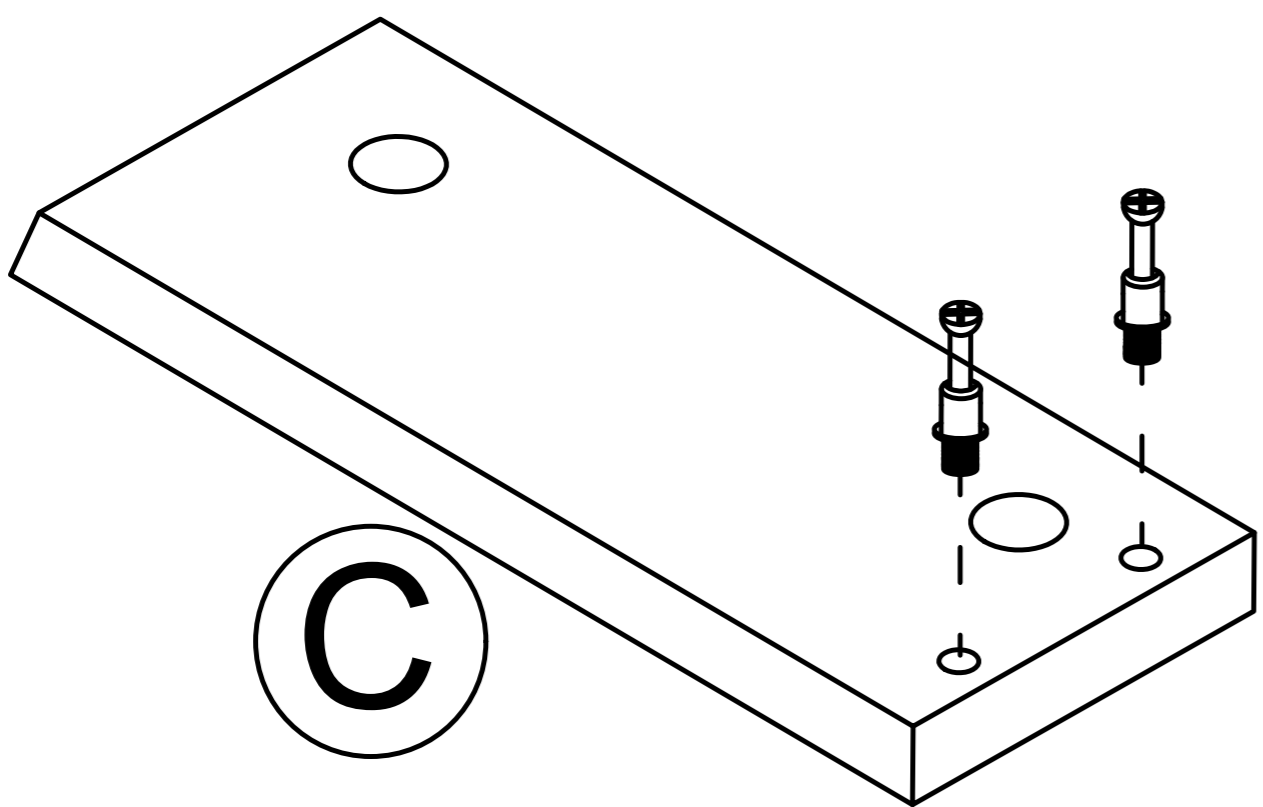
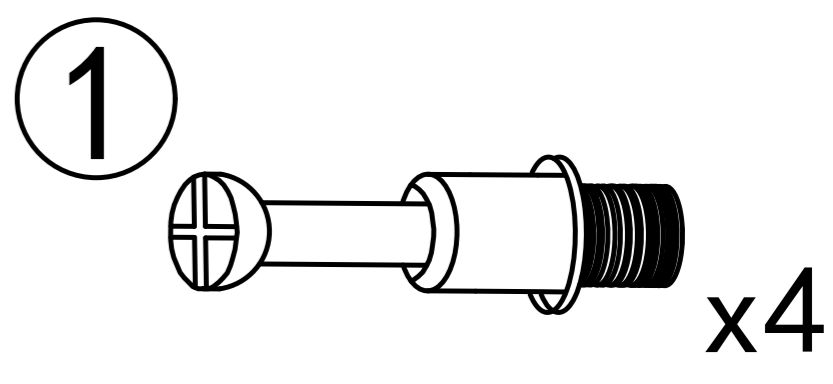


4

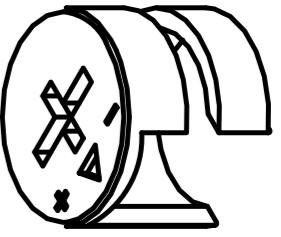
Step 2

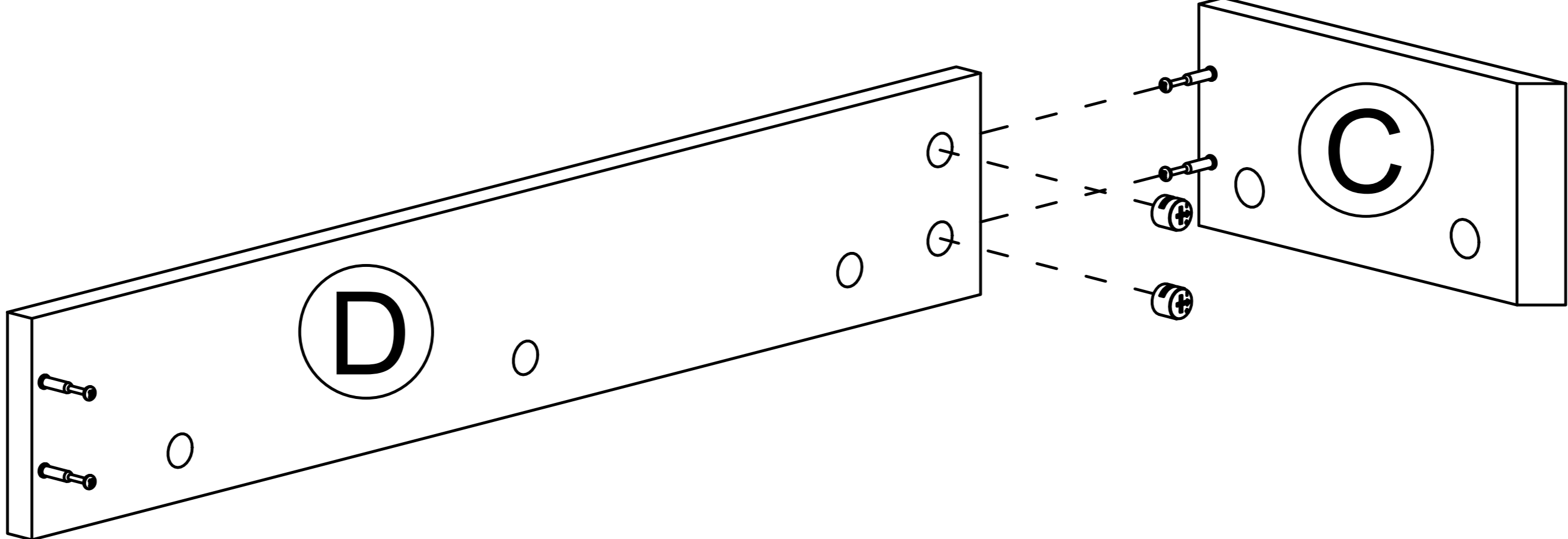


Step 3

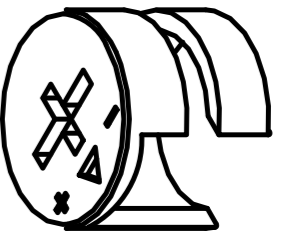


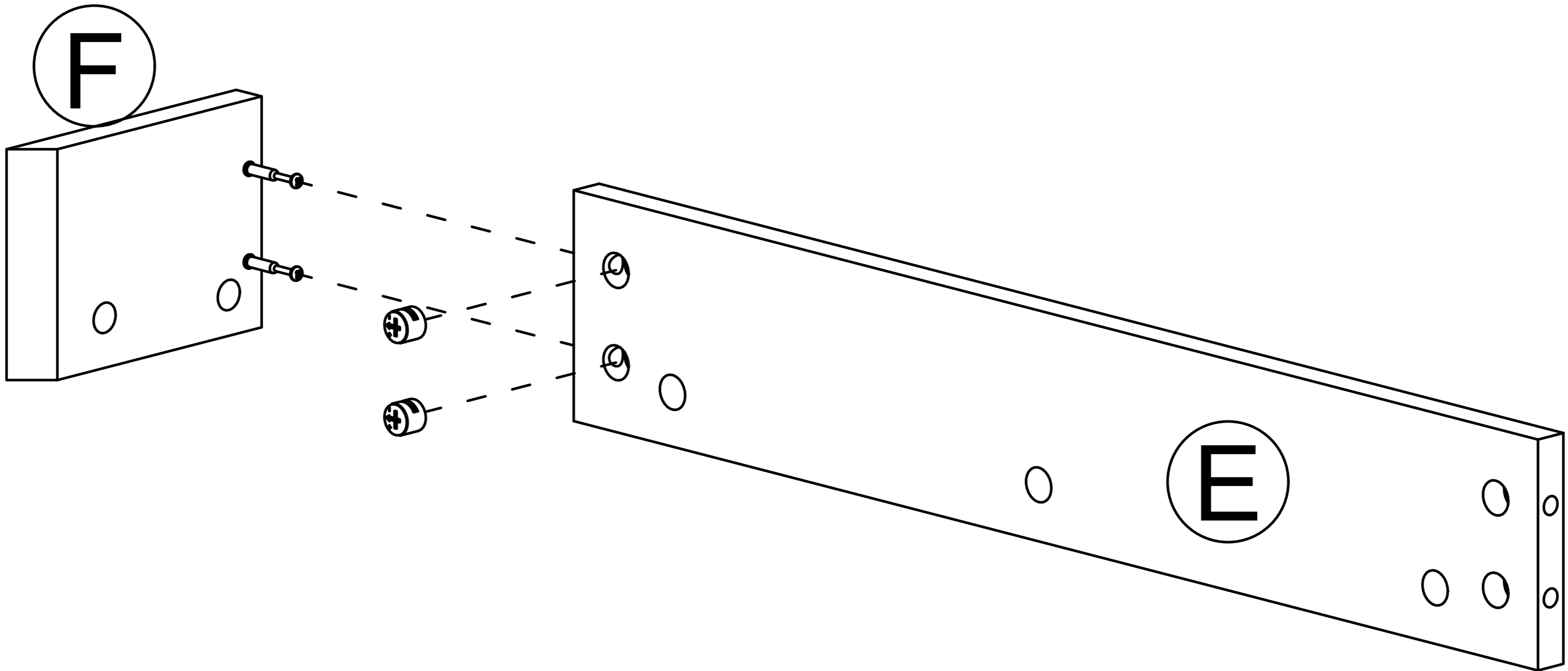
Step 4

2  x 2

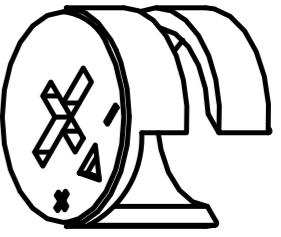


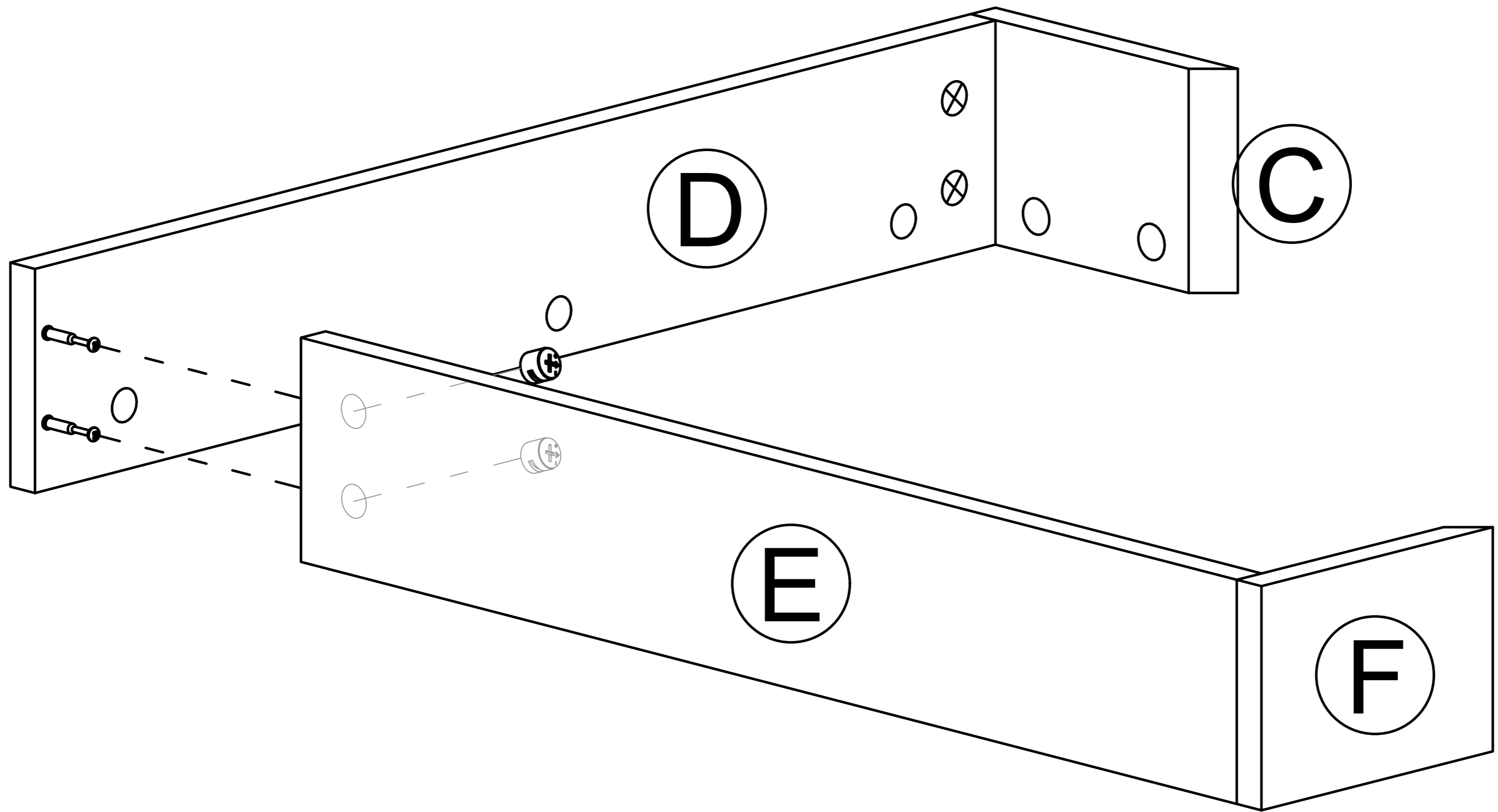
Step 5

2  x 2

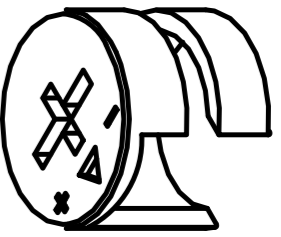


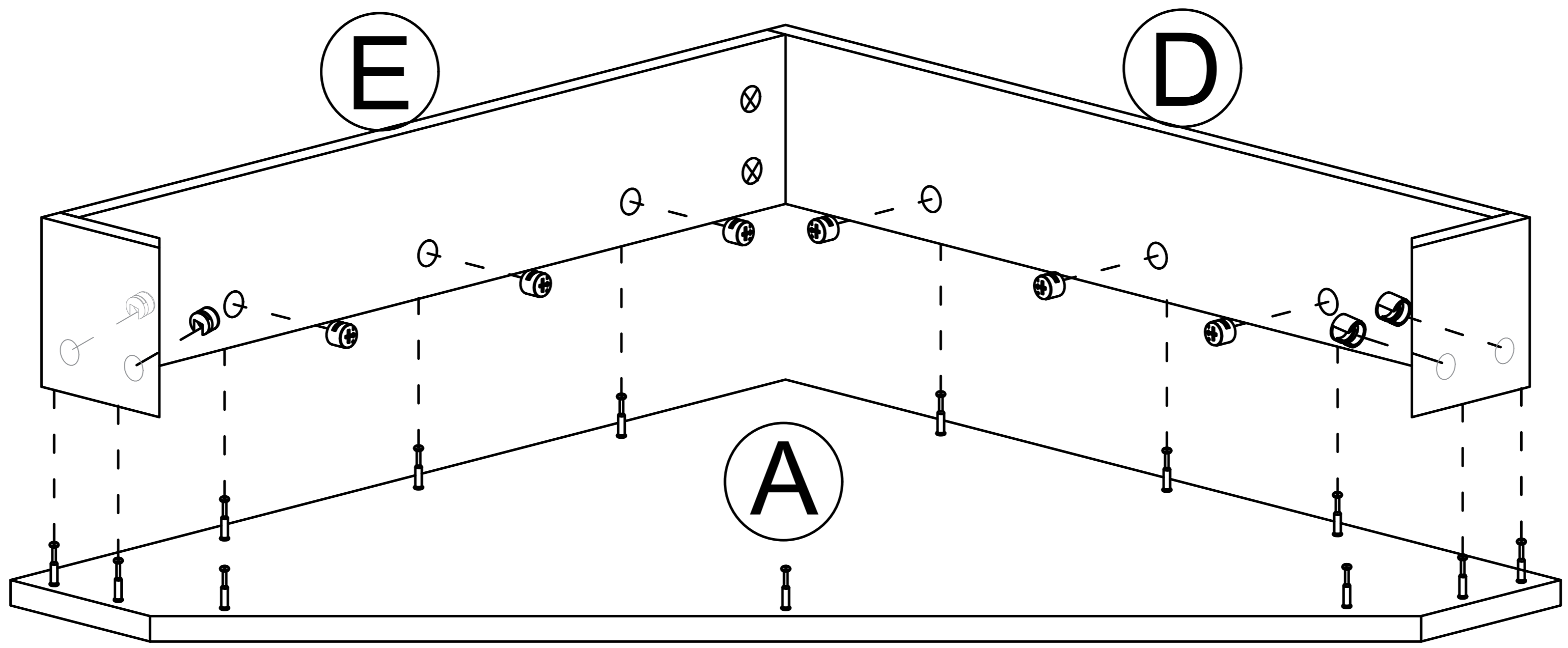
Step 6

2  x 2

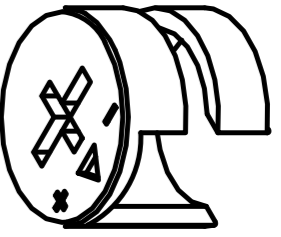


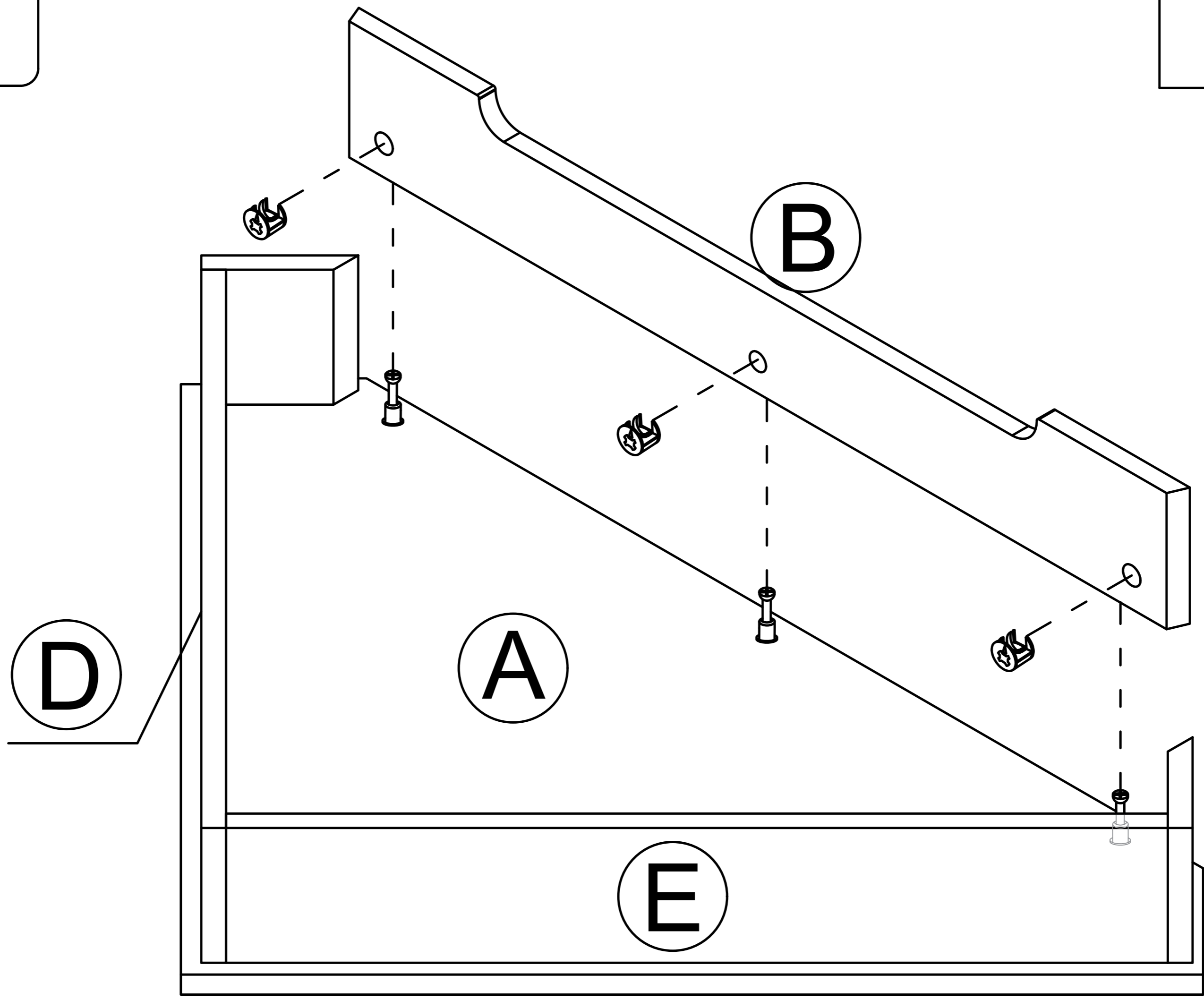
Step 7

2  x 10



Step 8

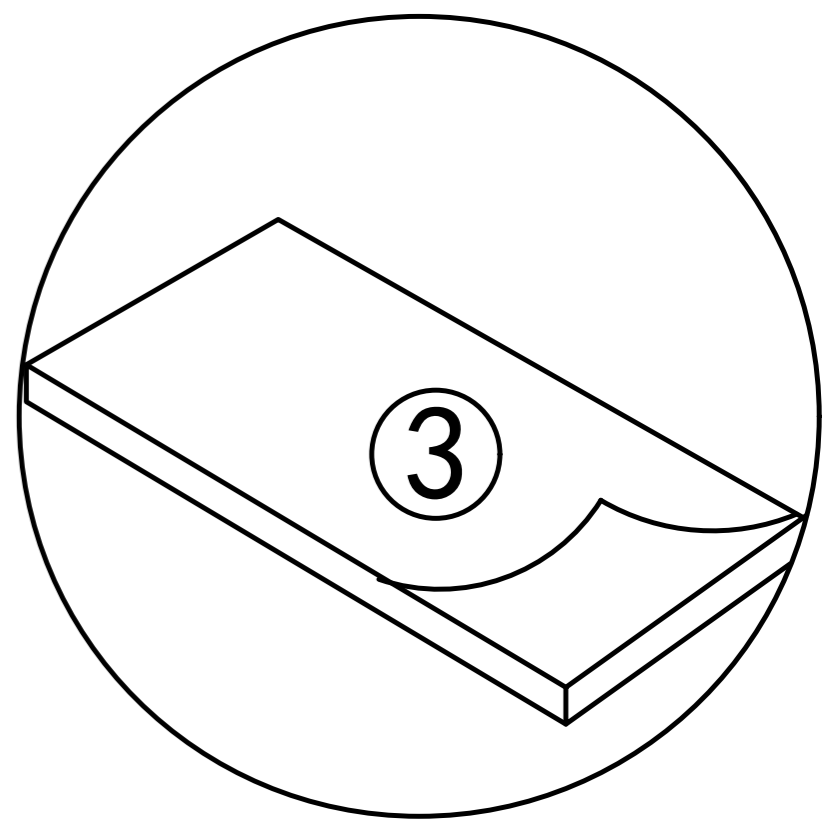
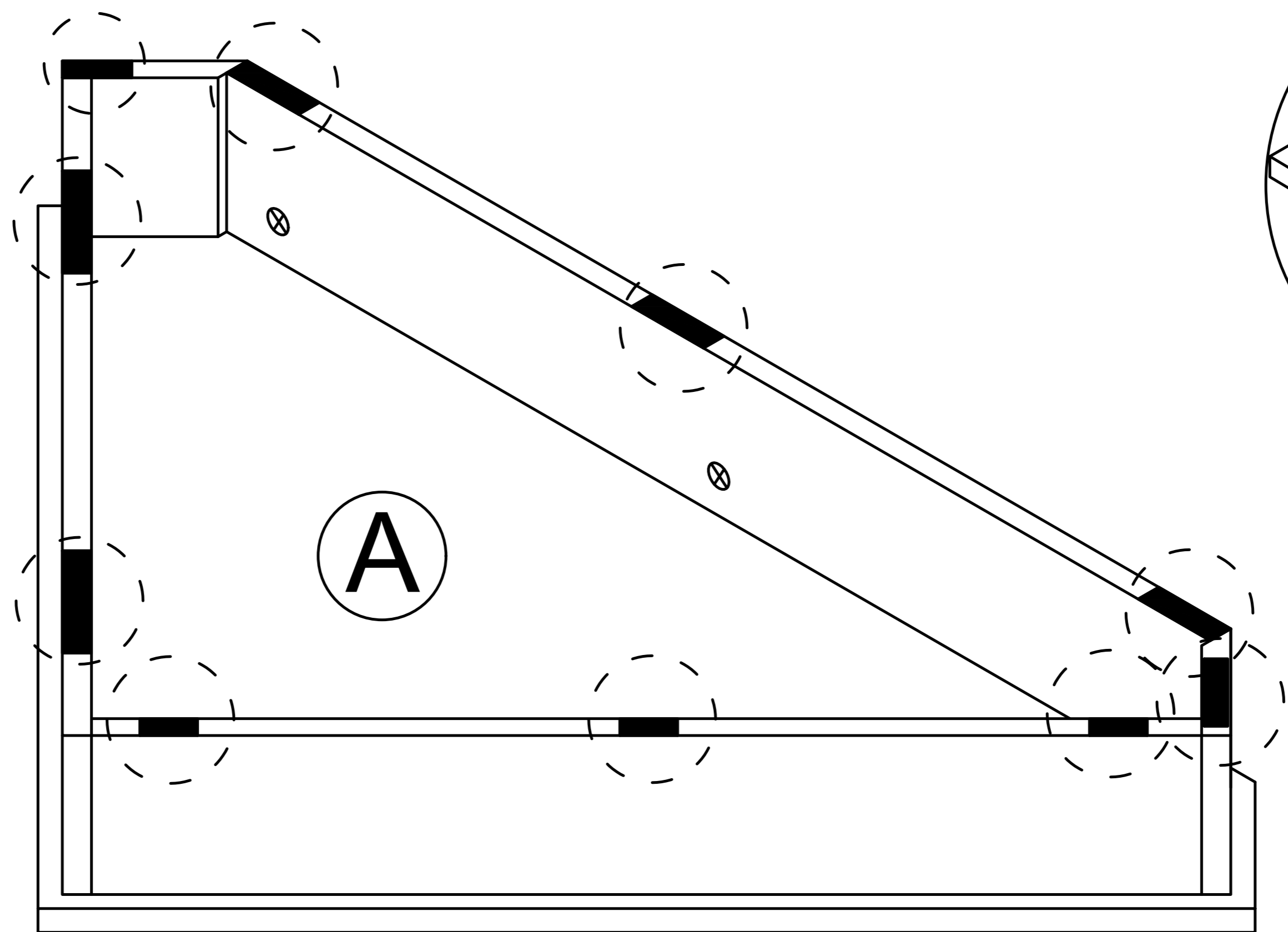
②  x 3



Step 9

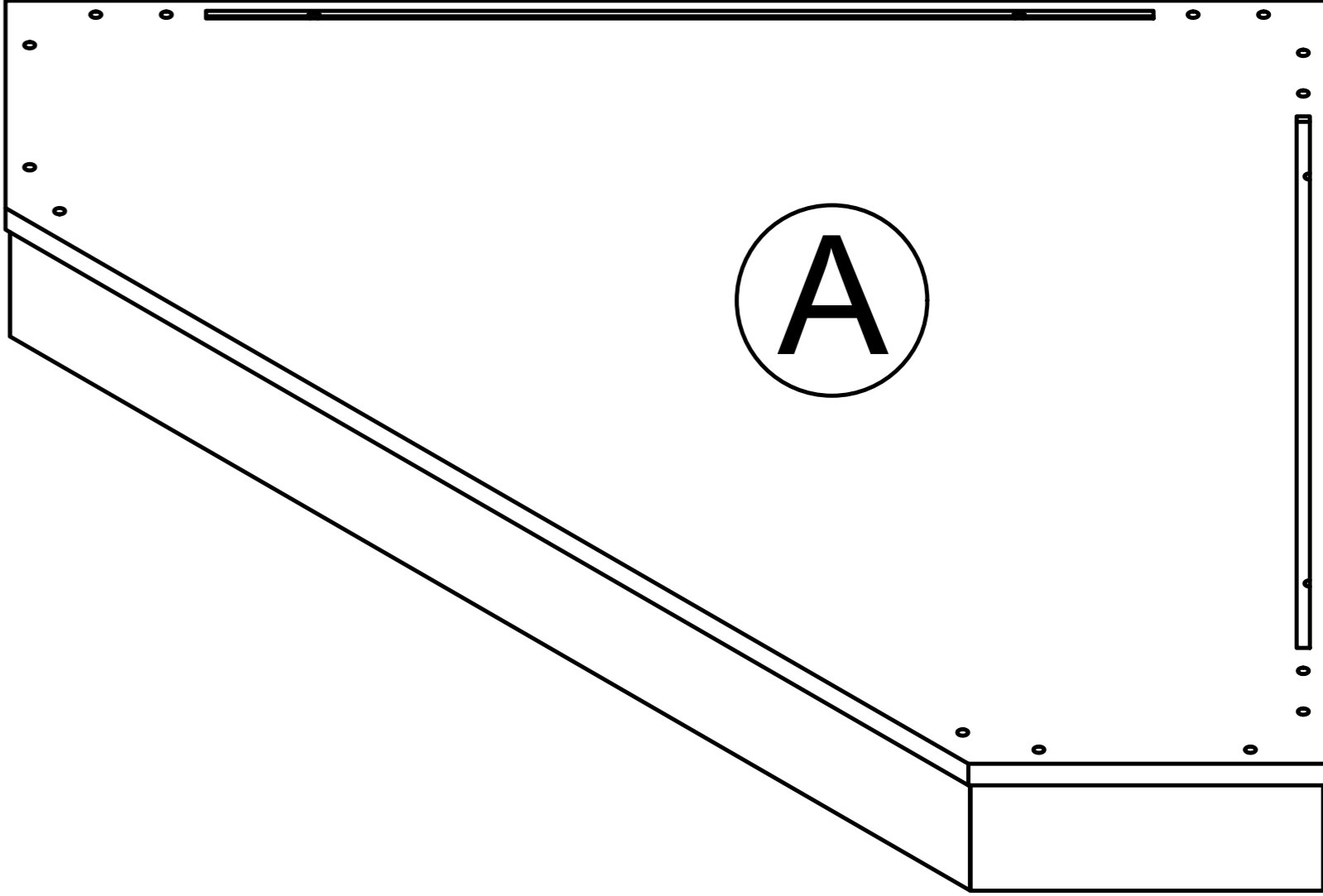
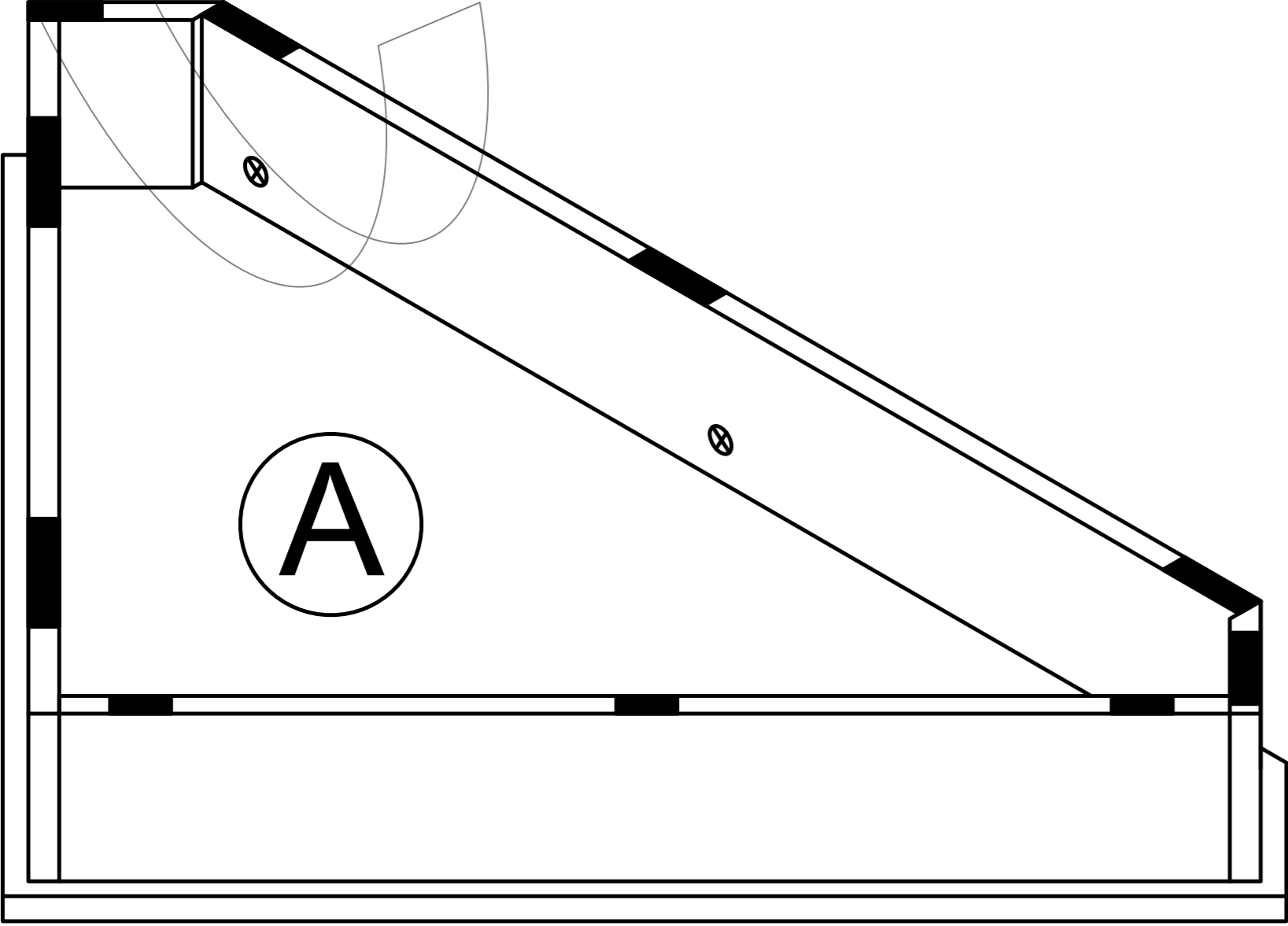
③  x10

Tear off the protective film before installation

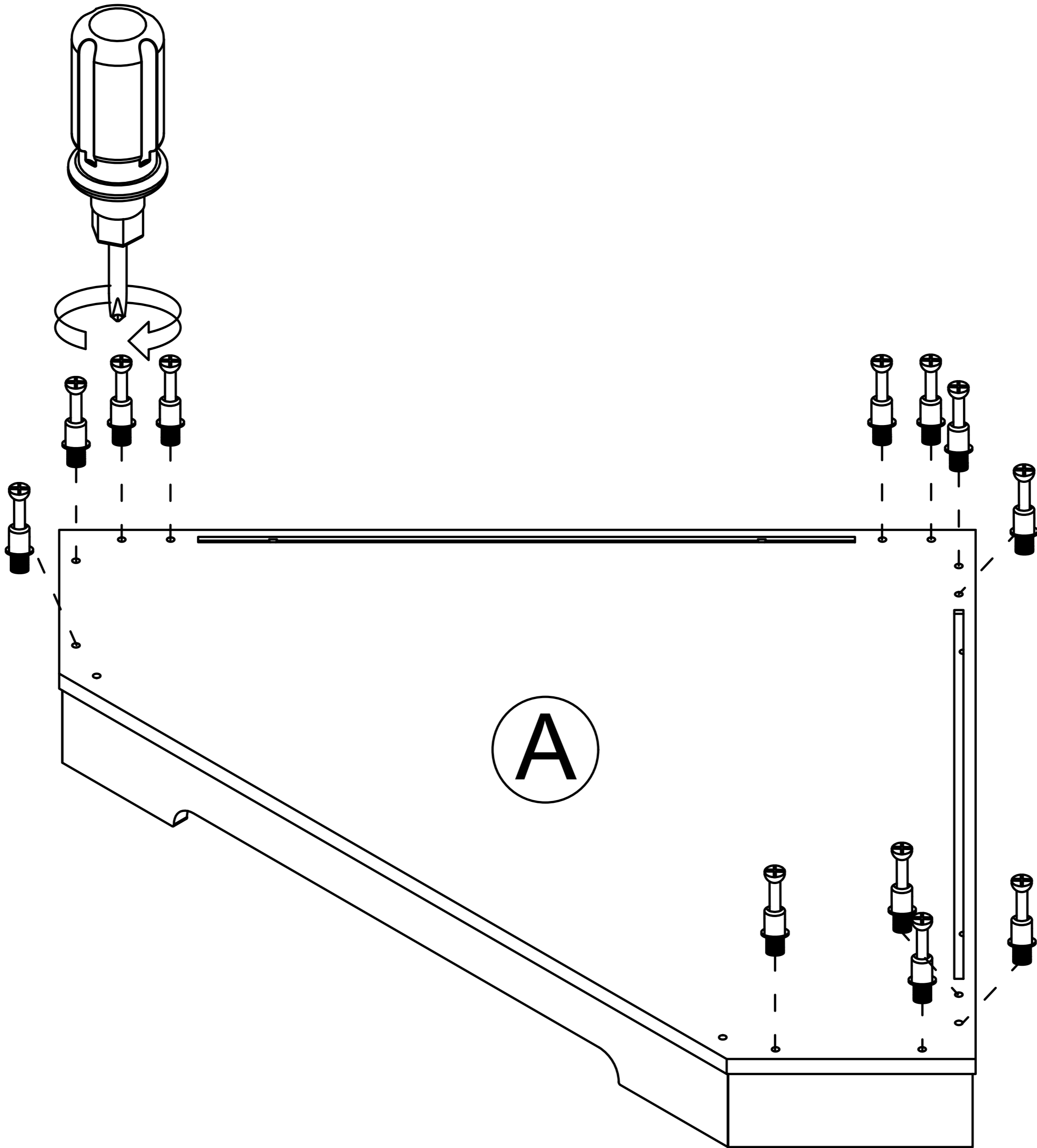
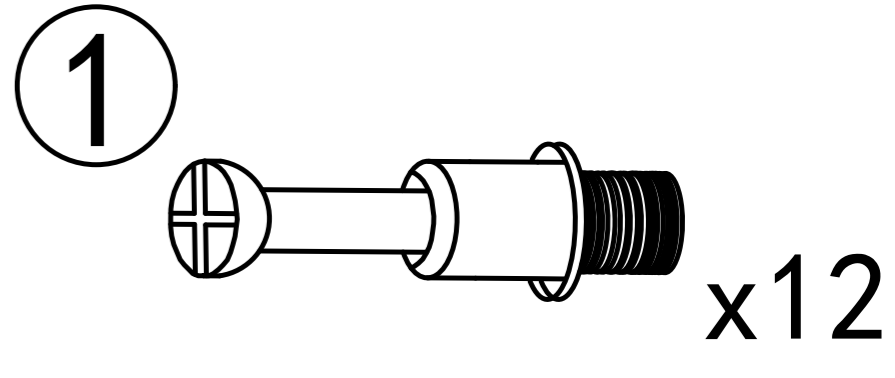


# Step 10

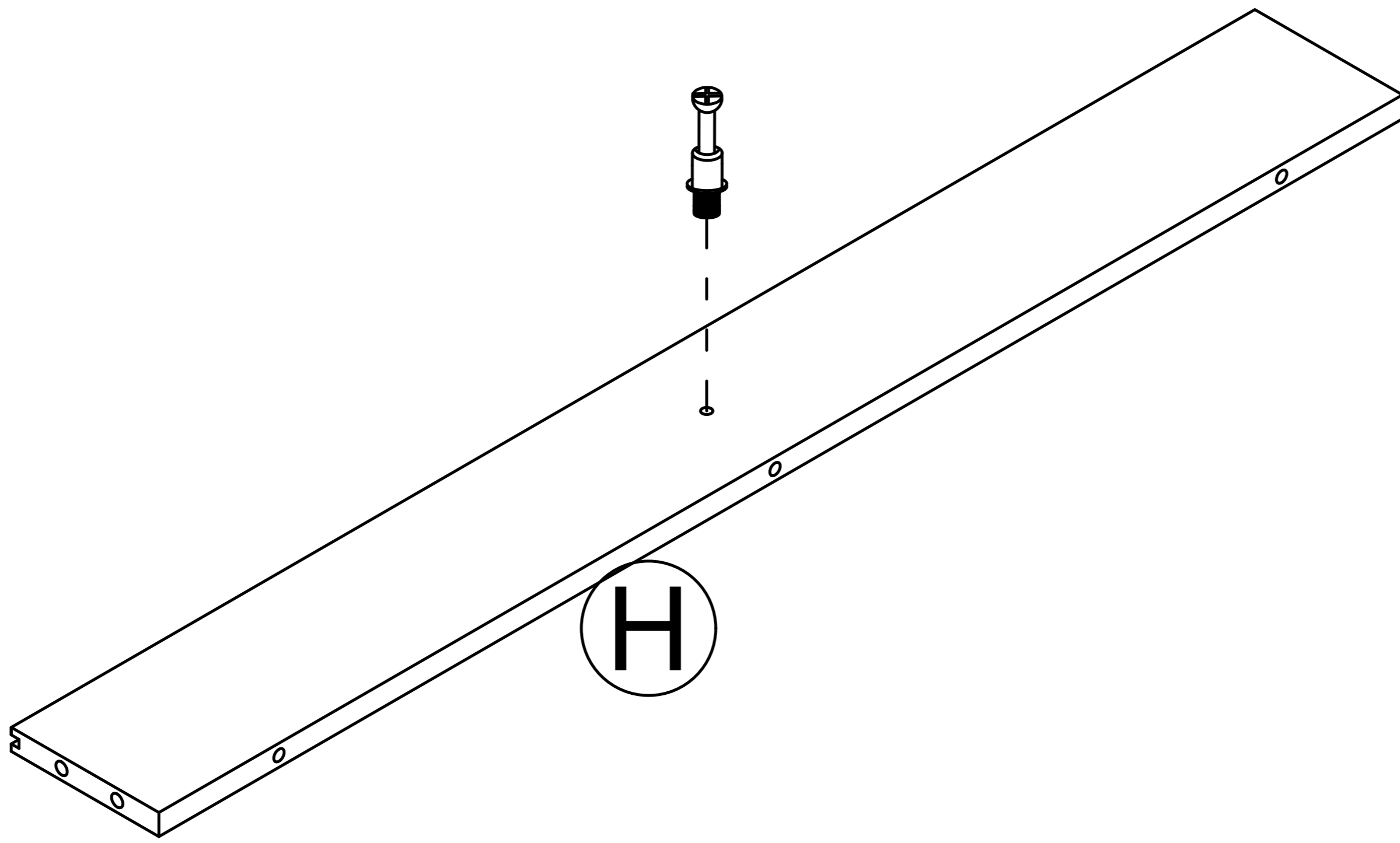
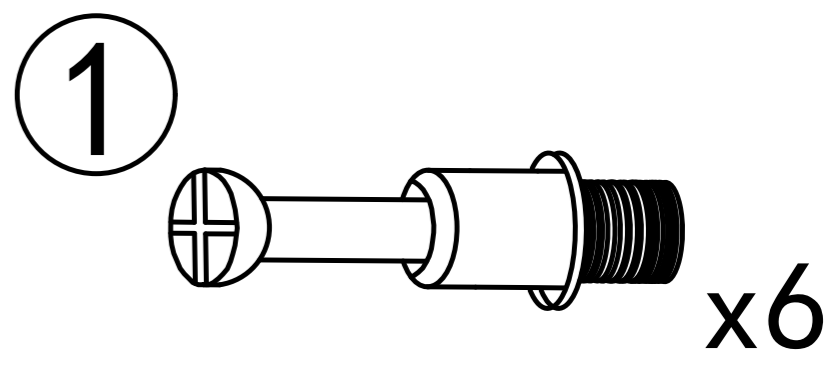
Need to flip over



# Step 11

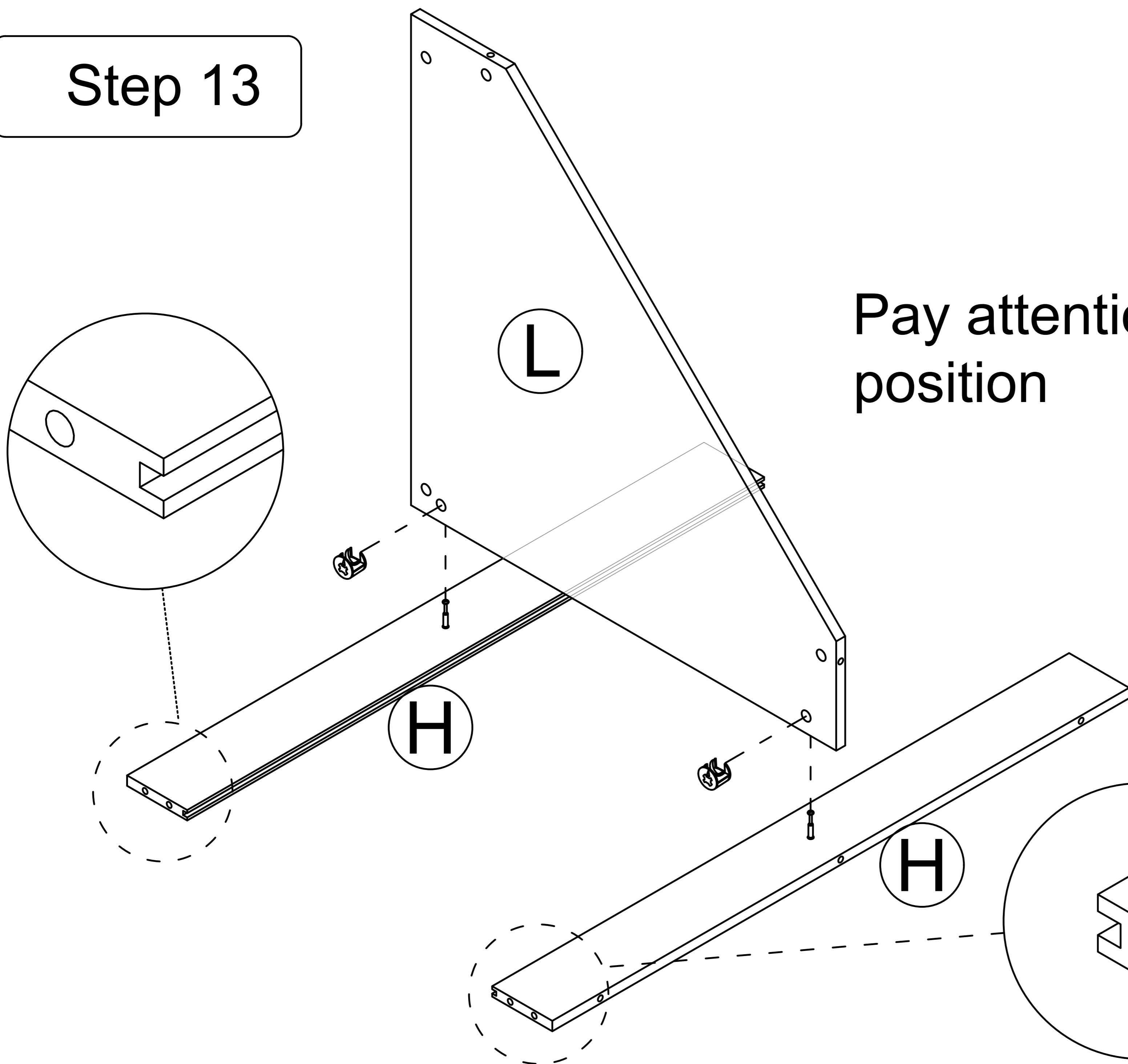
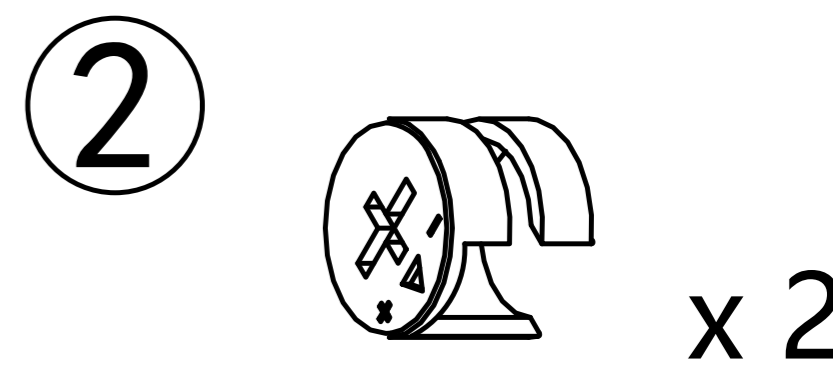


Step 12



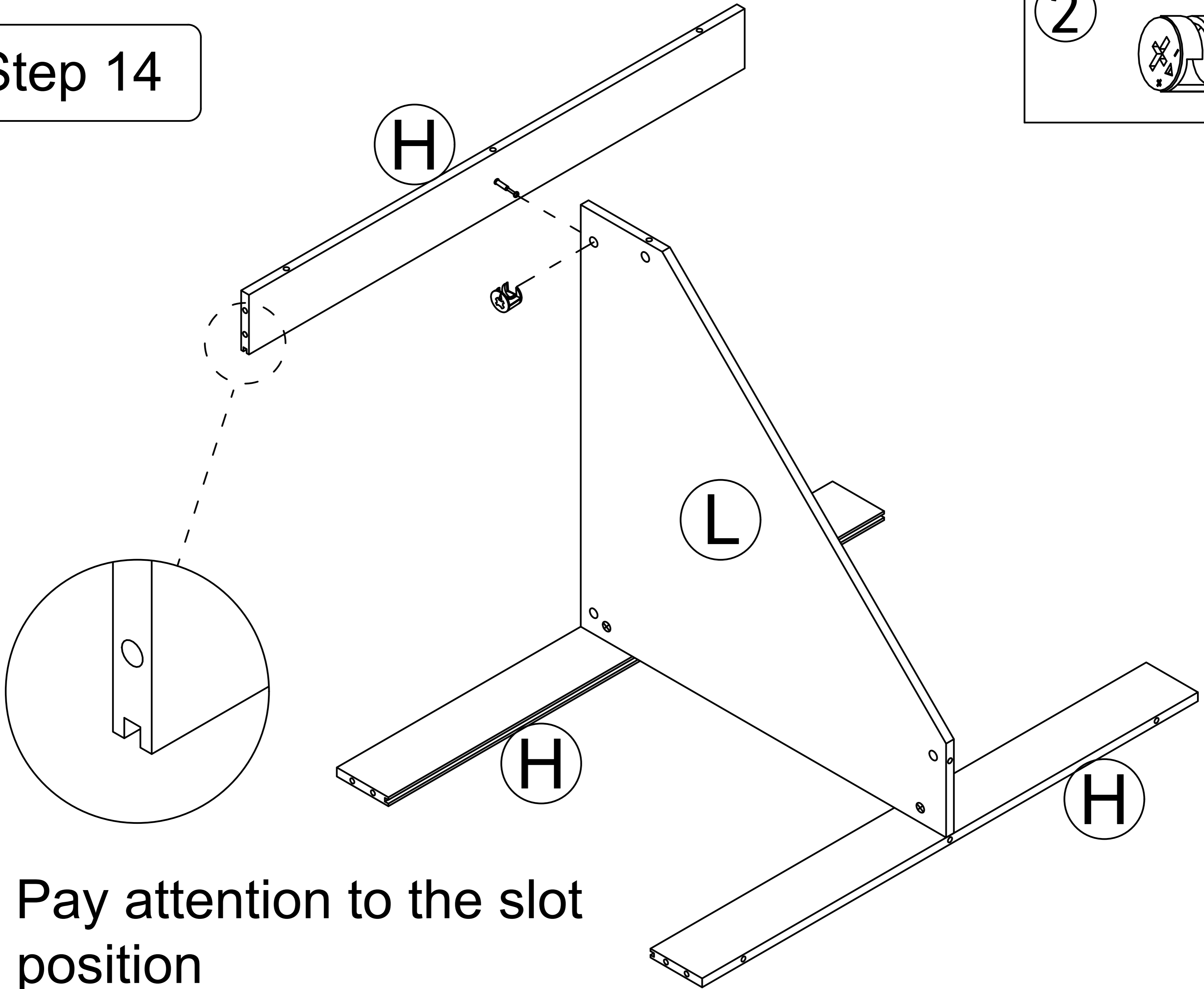
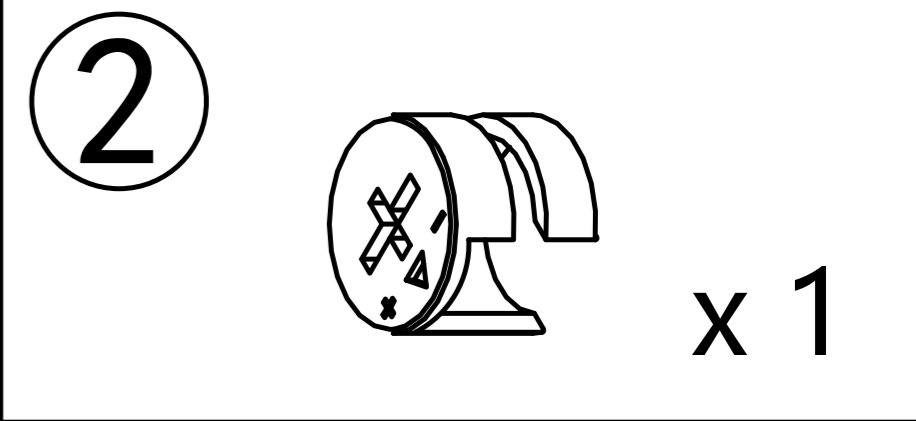
x6

Step 13



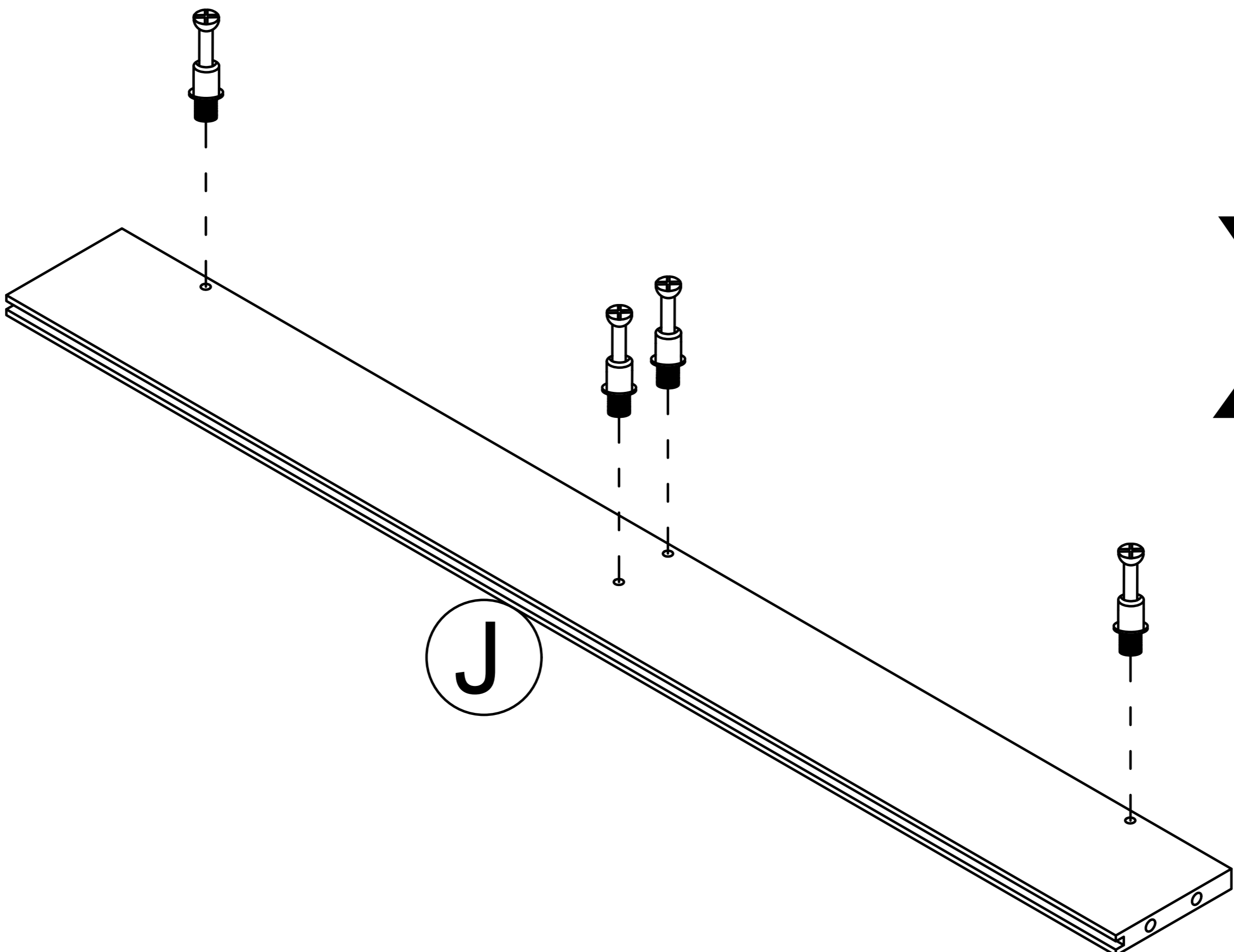
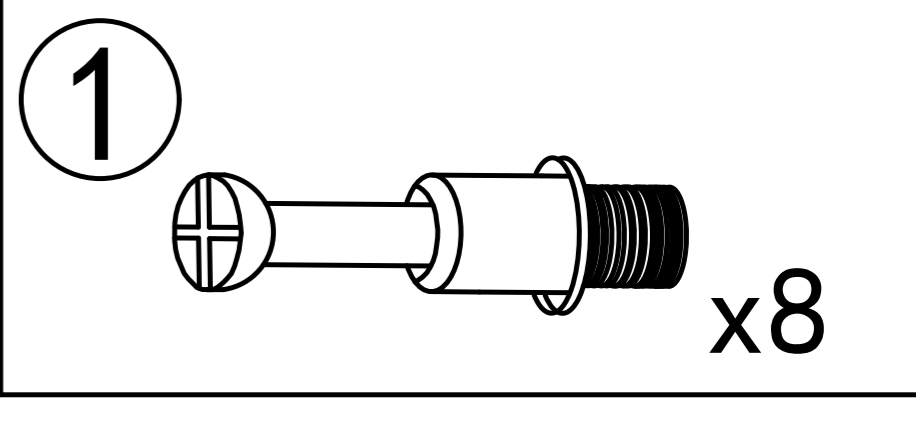
10

Step 14



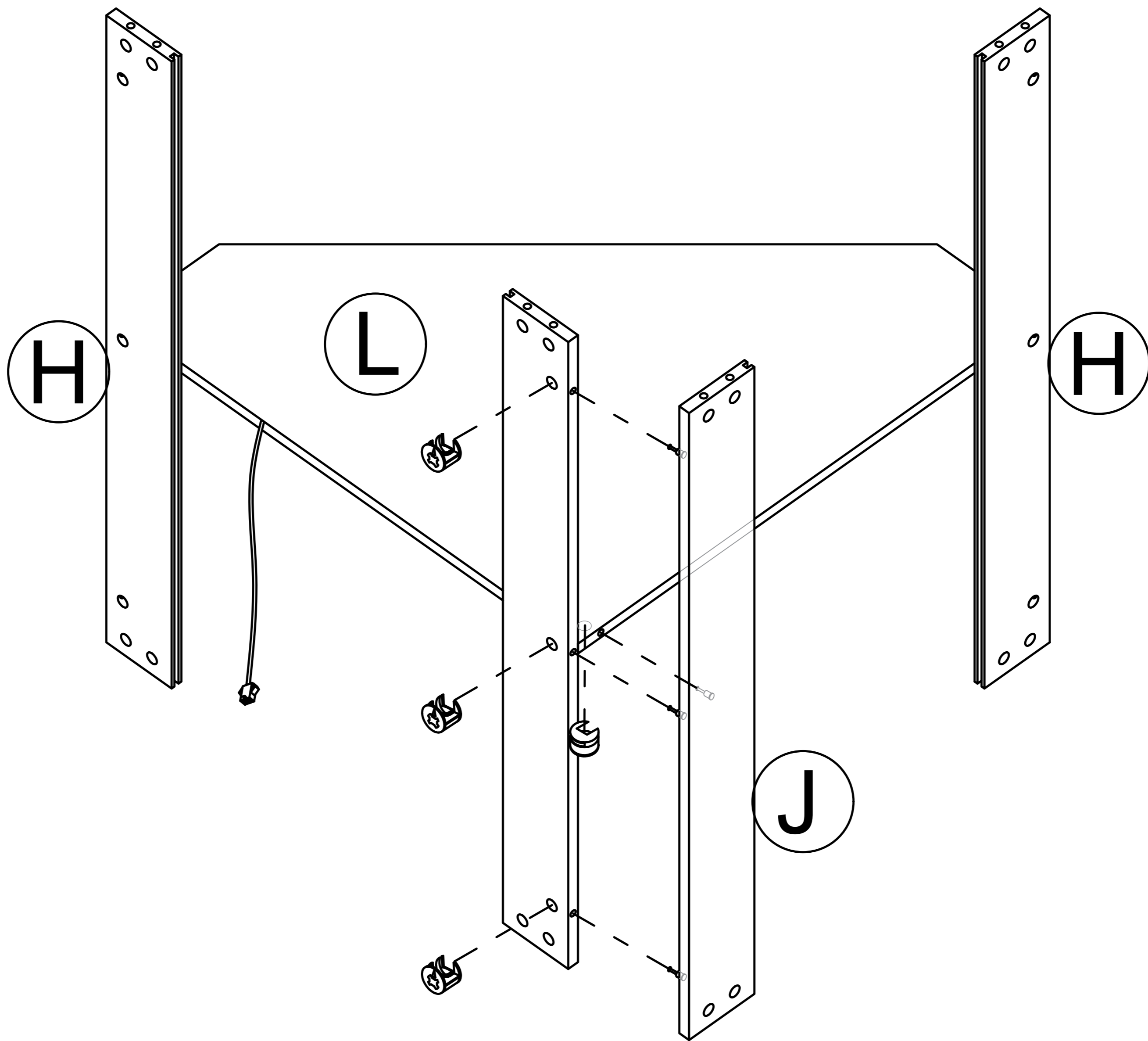
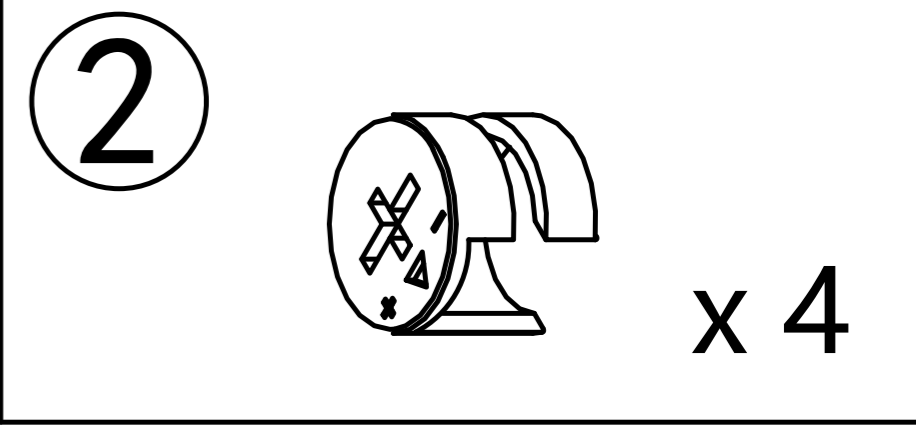
Pay attention to the slot position

Step 15

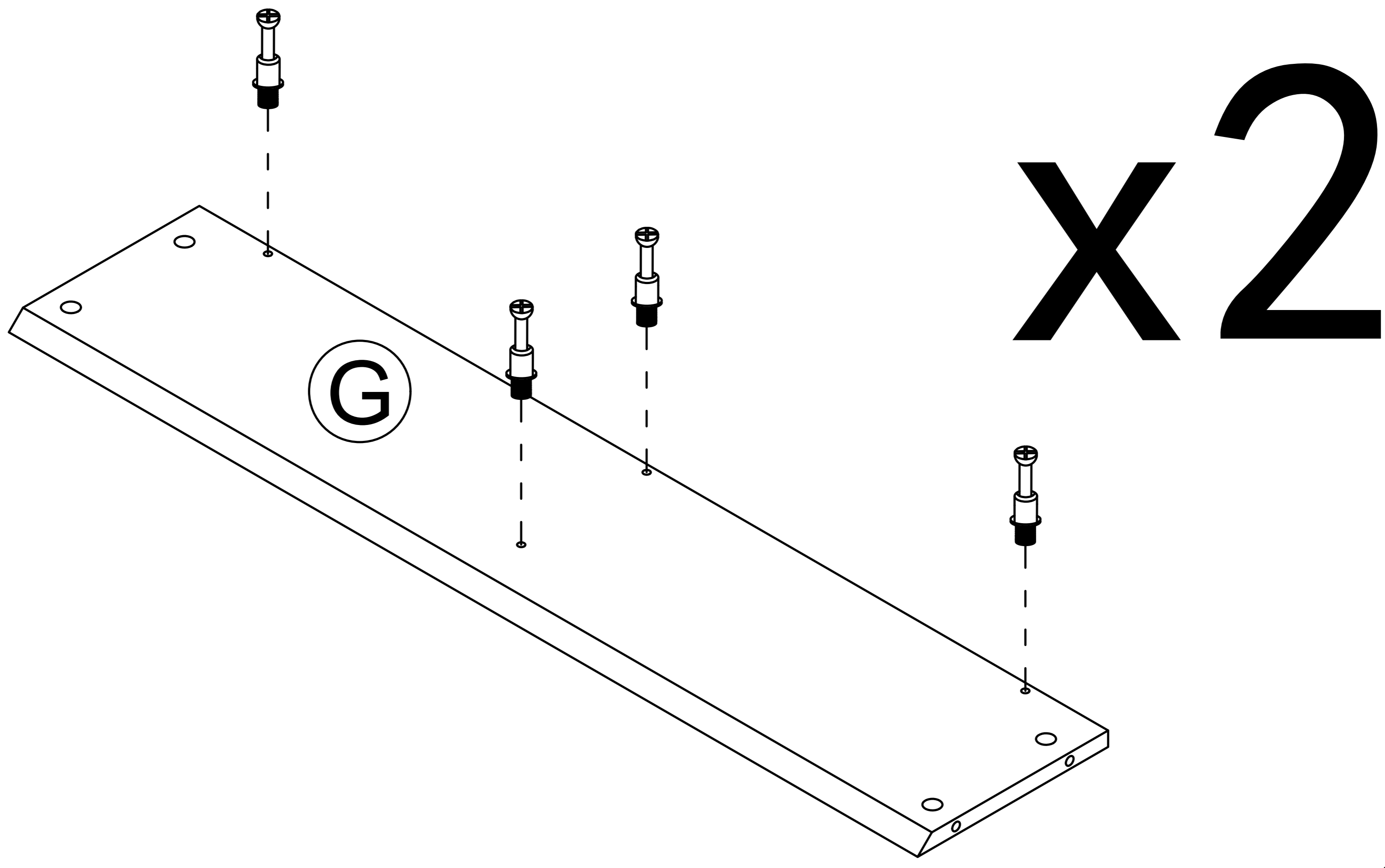
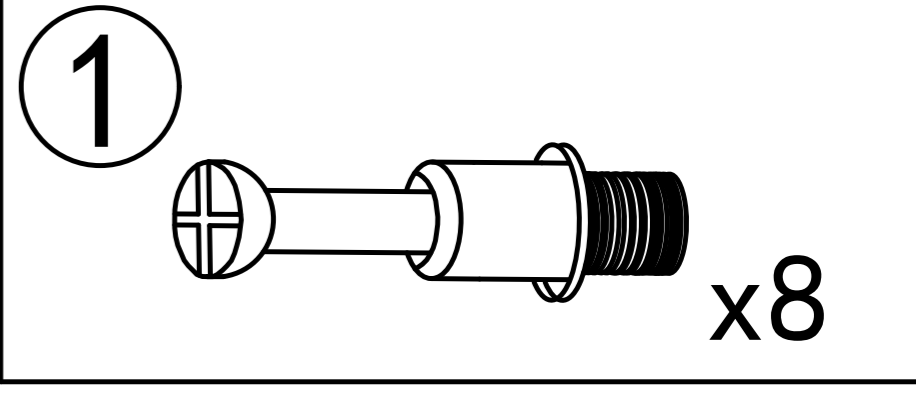


x2

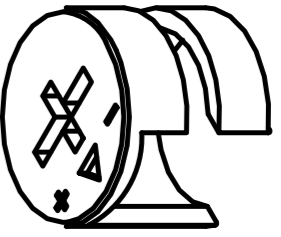
Step 16

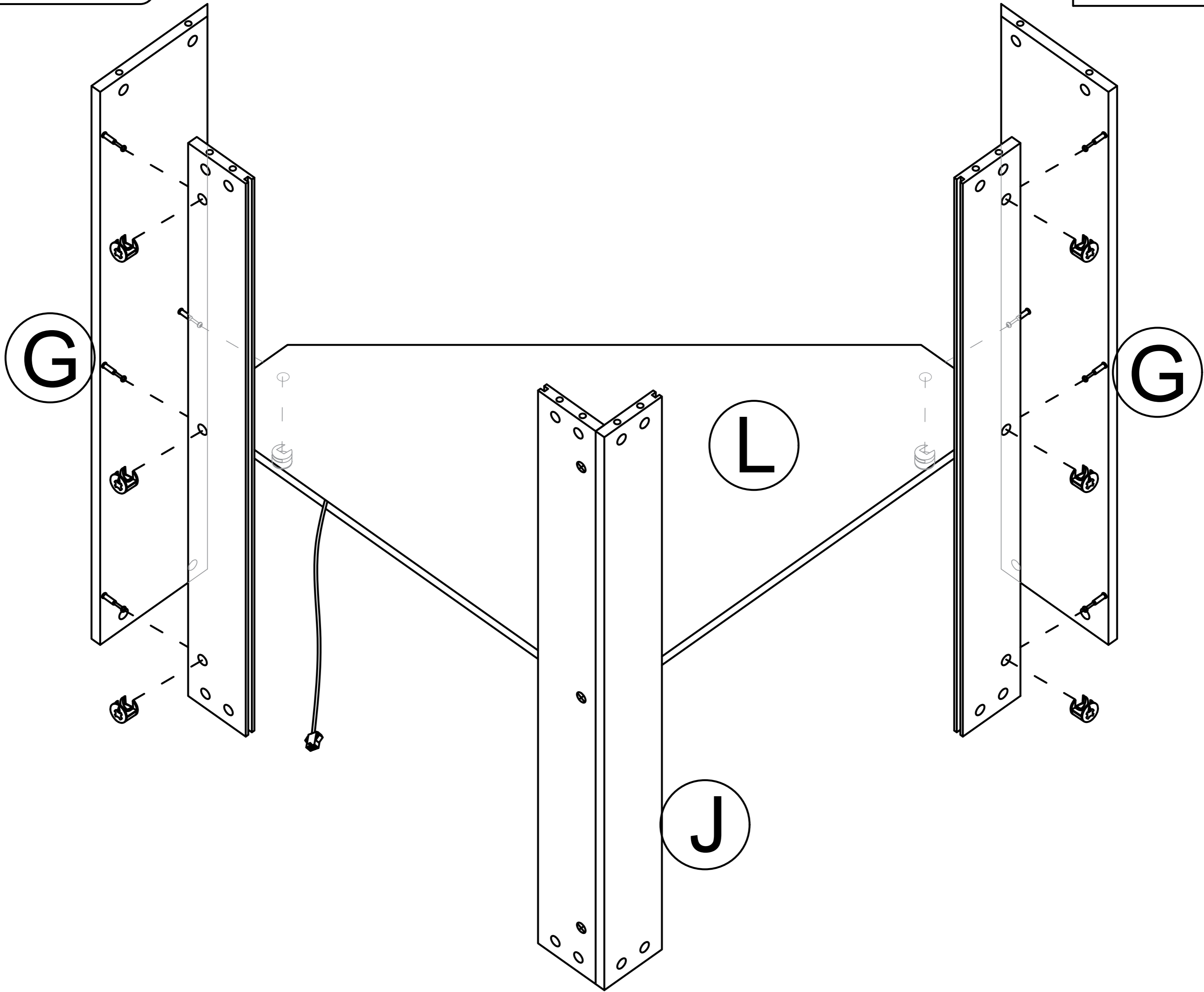


Step 17

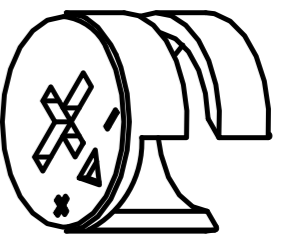


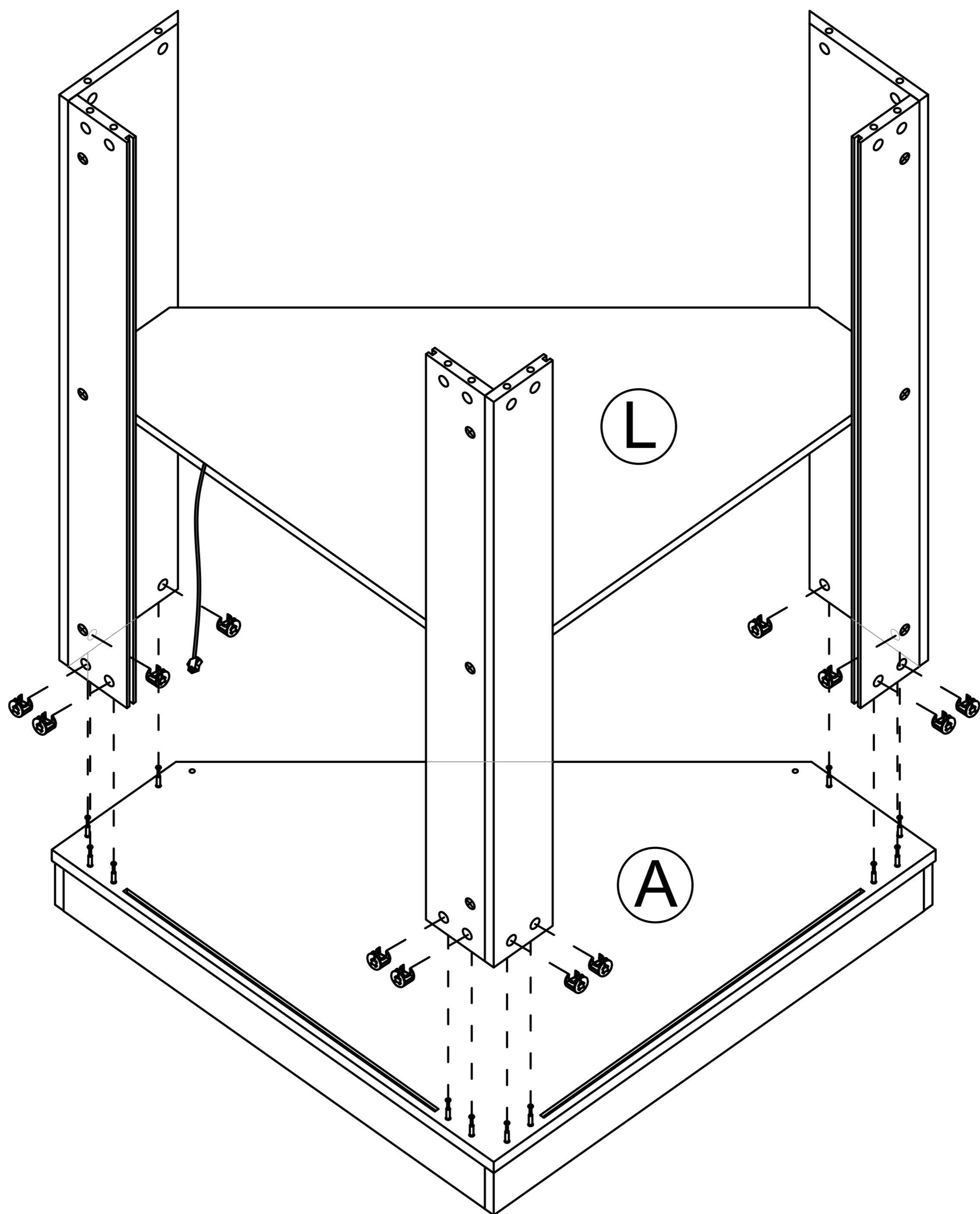
Step 18

2  x 8



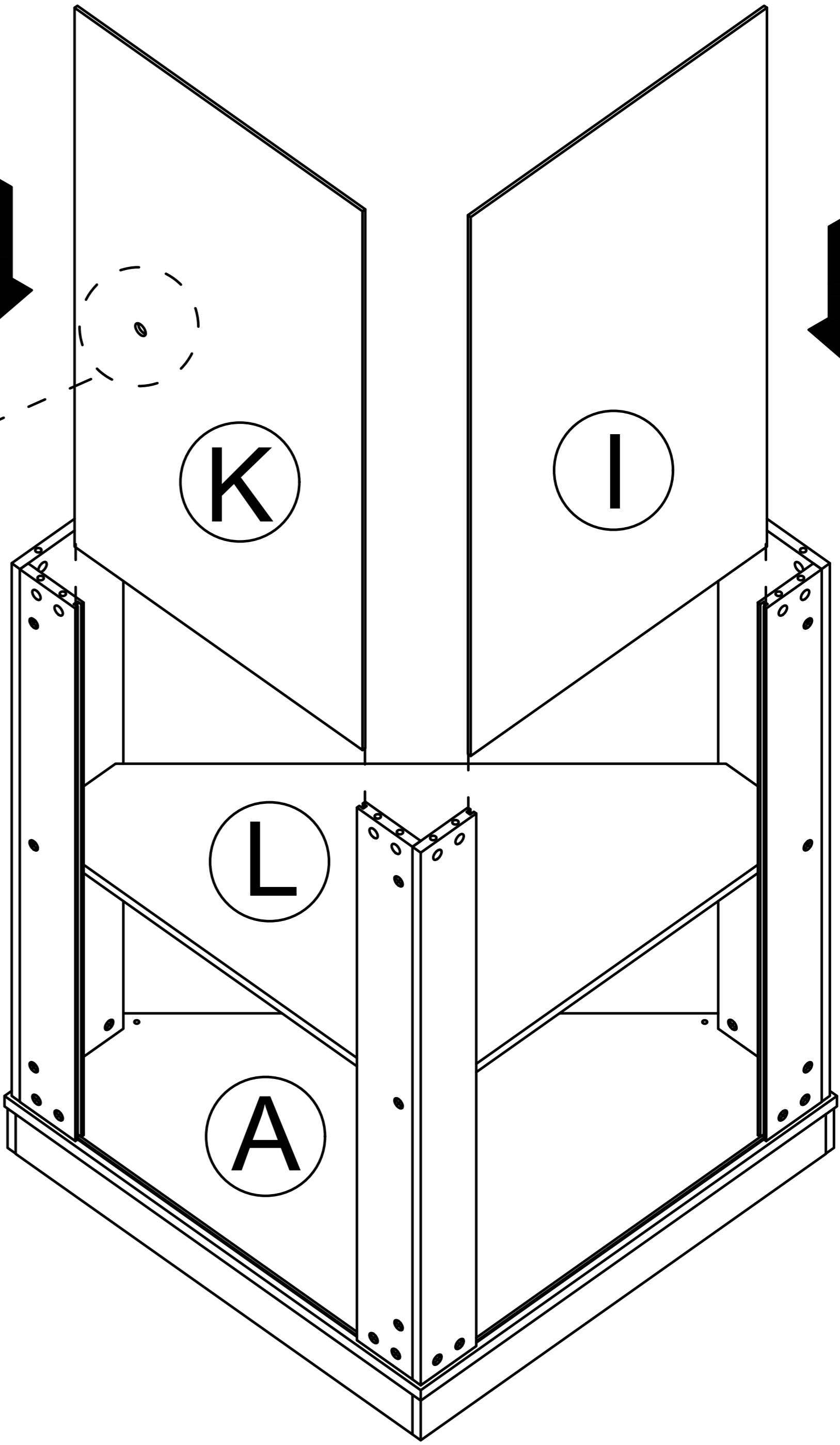
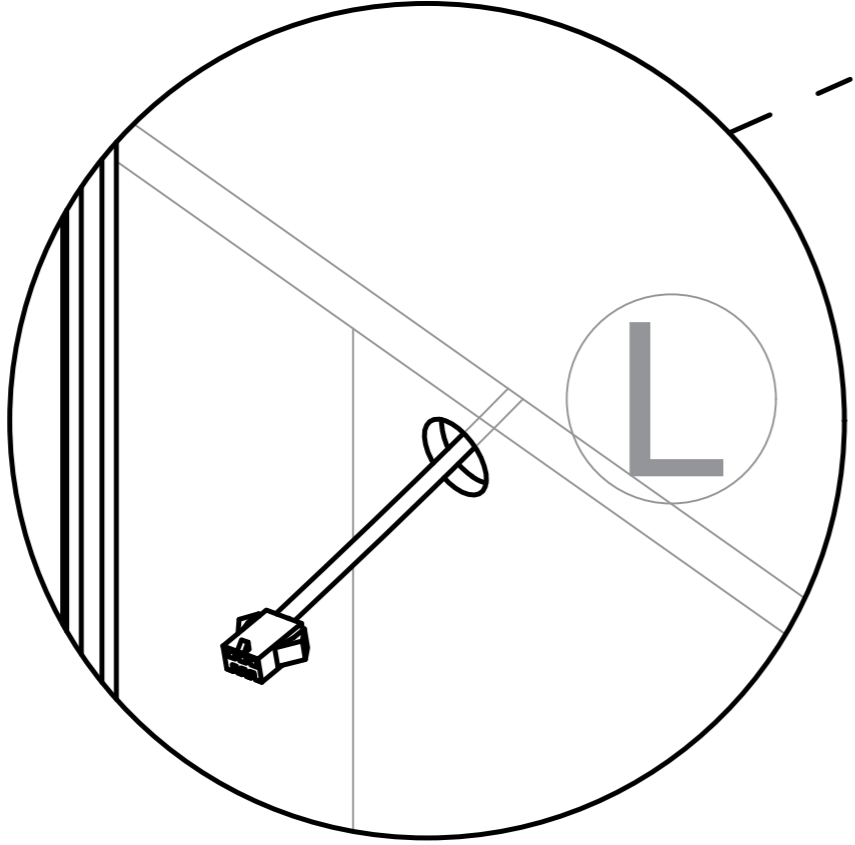
Step 19

2  x 12



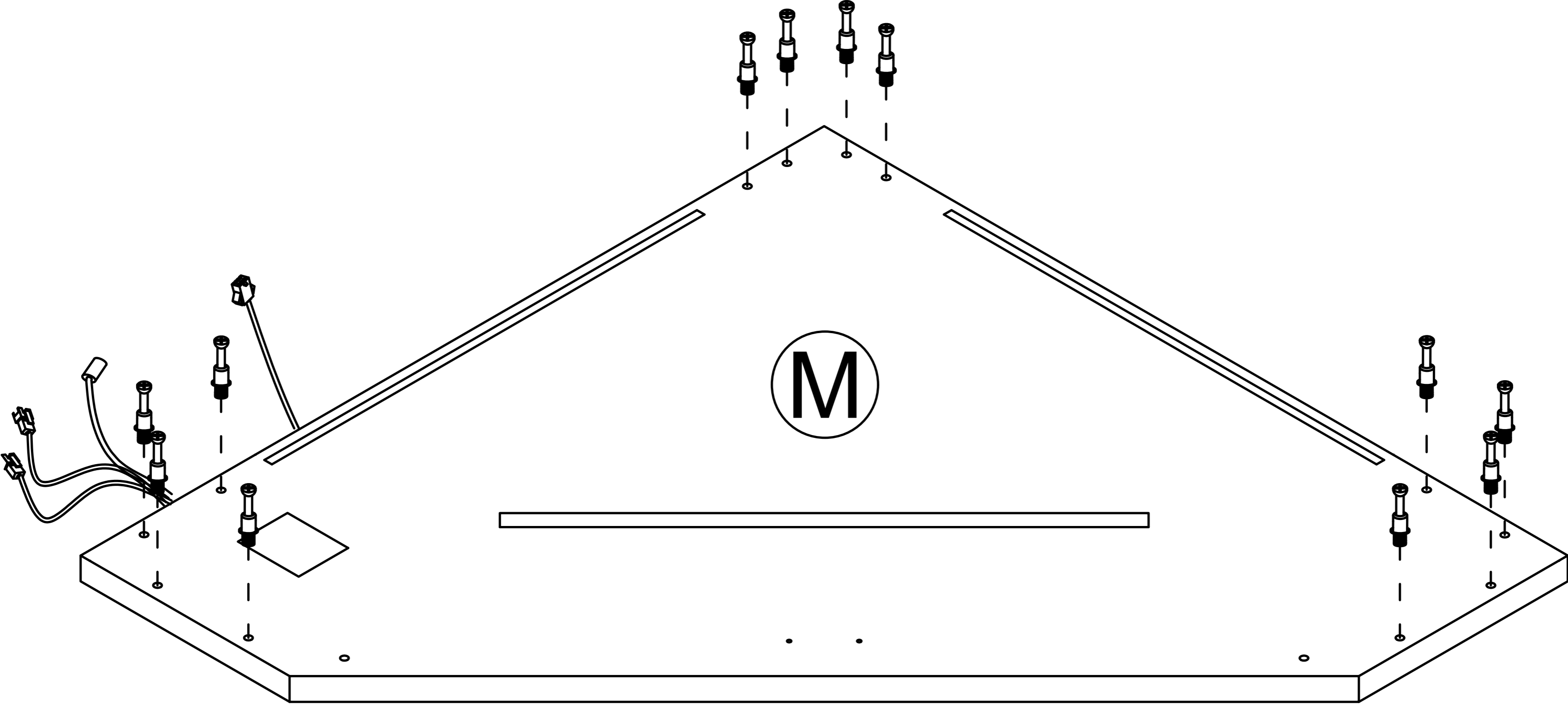
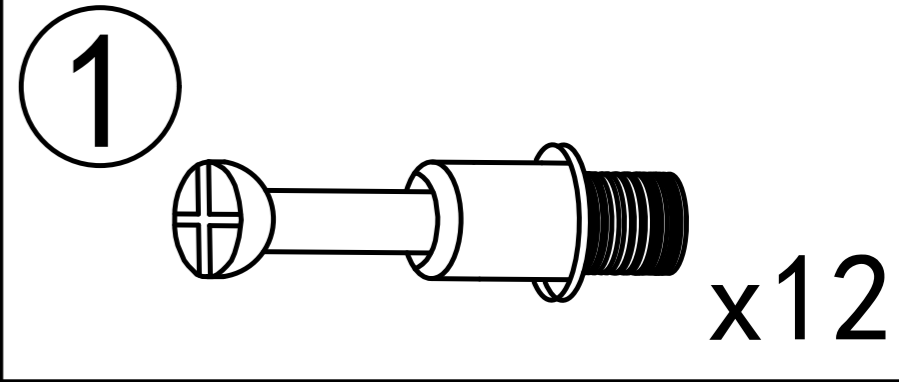
# Step 20

Thread the light wire through the K-board



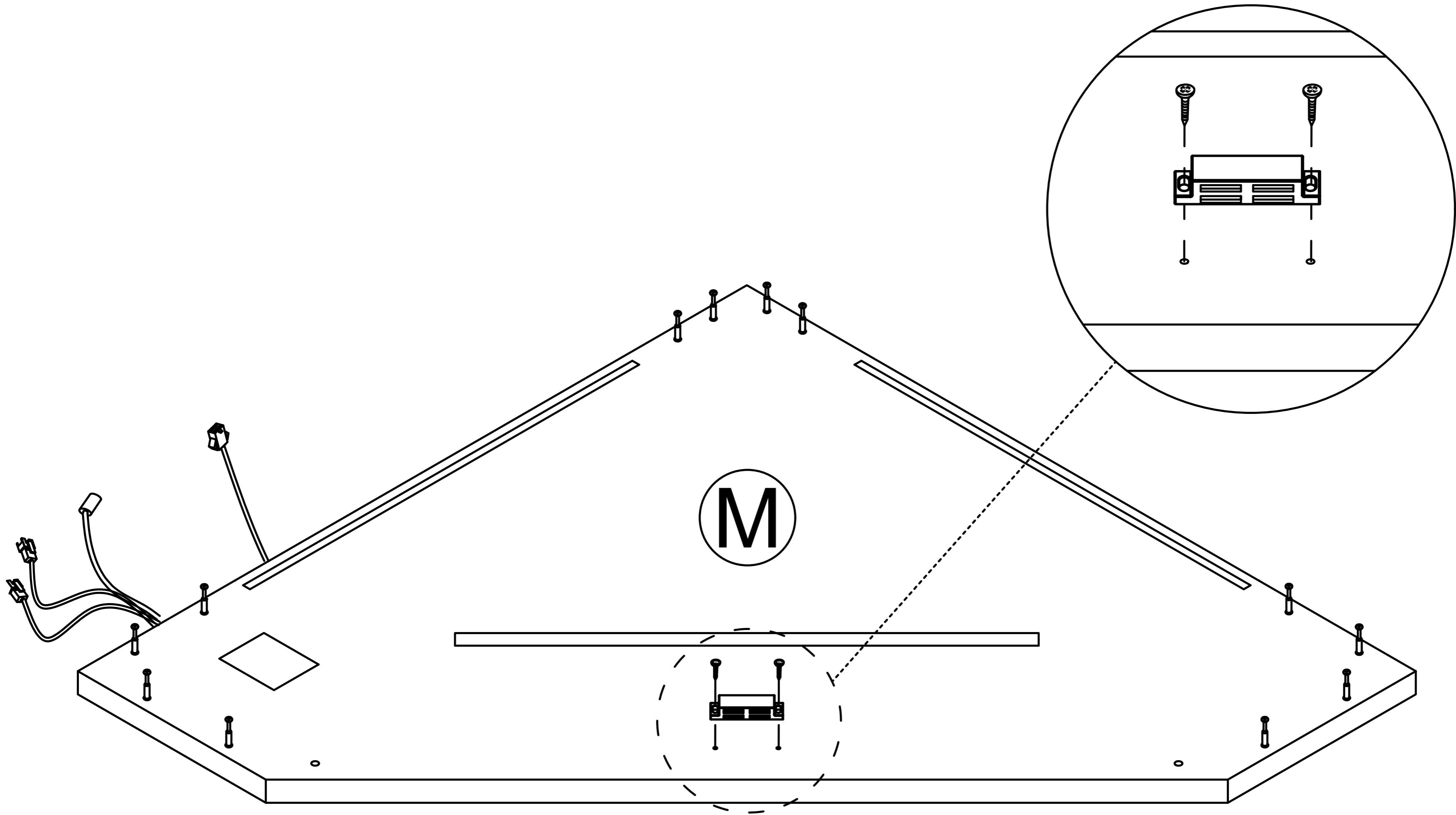
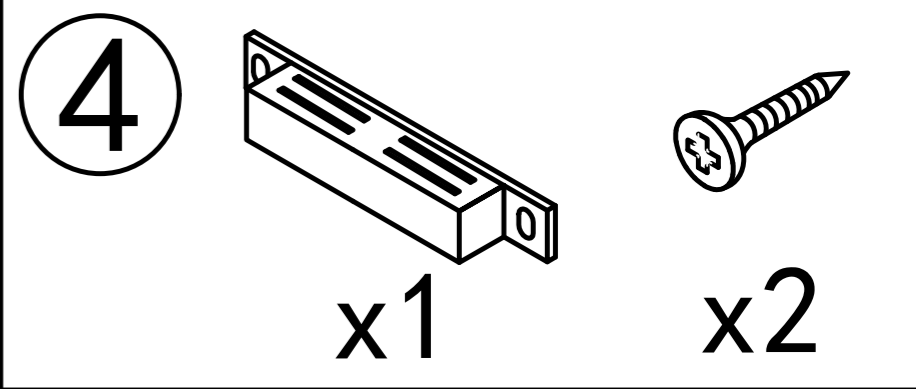
The hole position of the K-board should be below the L-board. If the position is not correct, the K-board can be adjusted by flipping it up and down, otherwise it will cause the inability to lead out the light wire

# Step 21



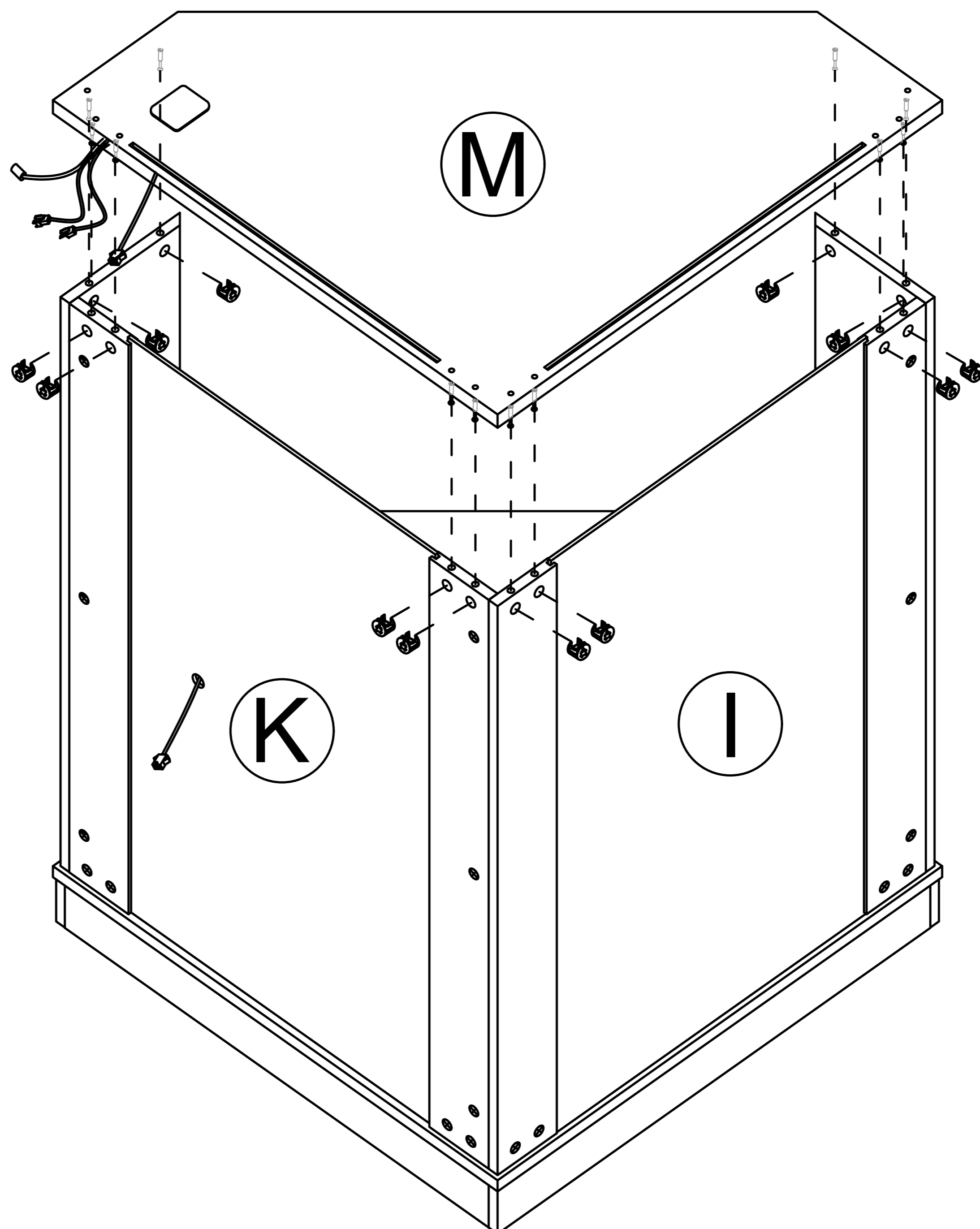
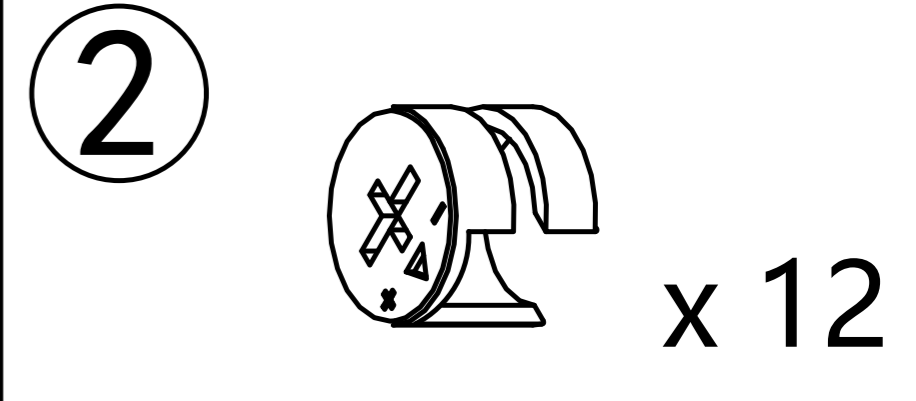
Step 22

④ x1 x2

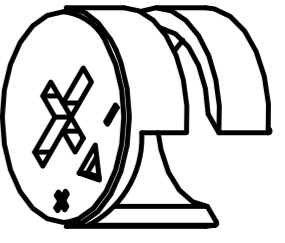


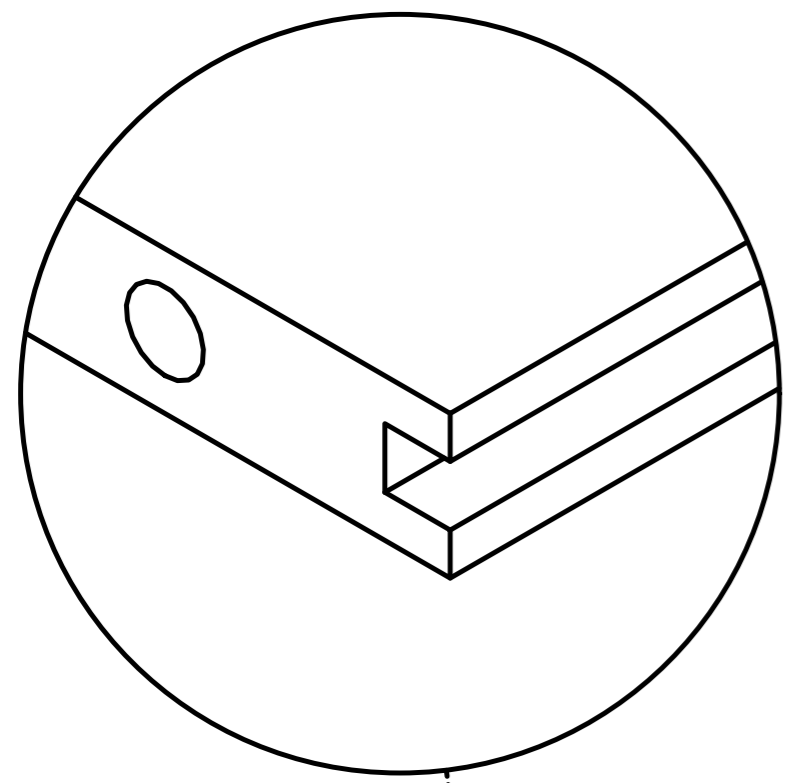
Step 23

② x 12

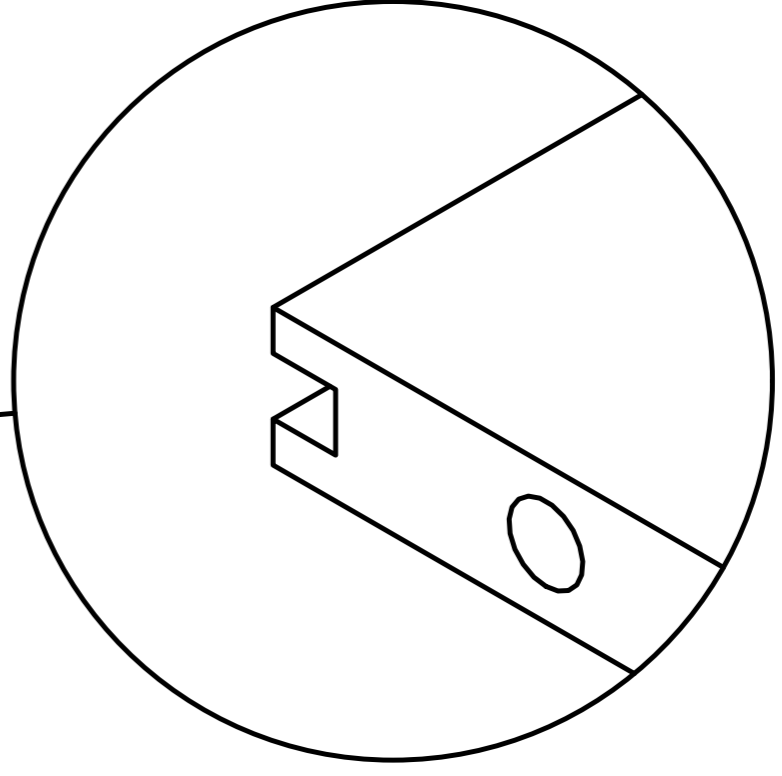
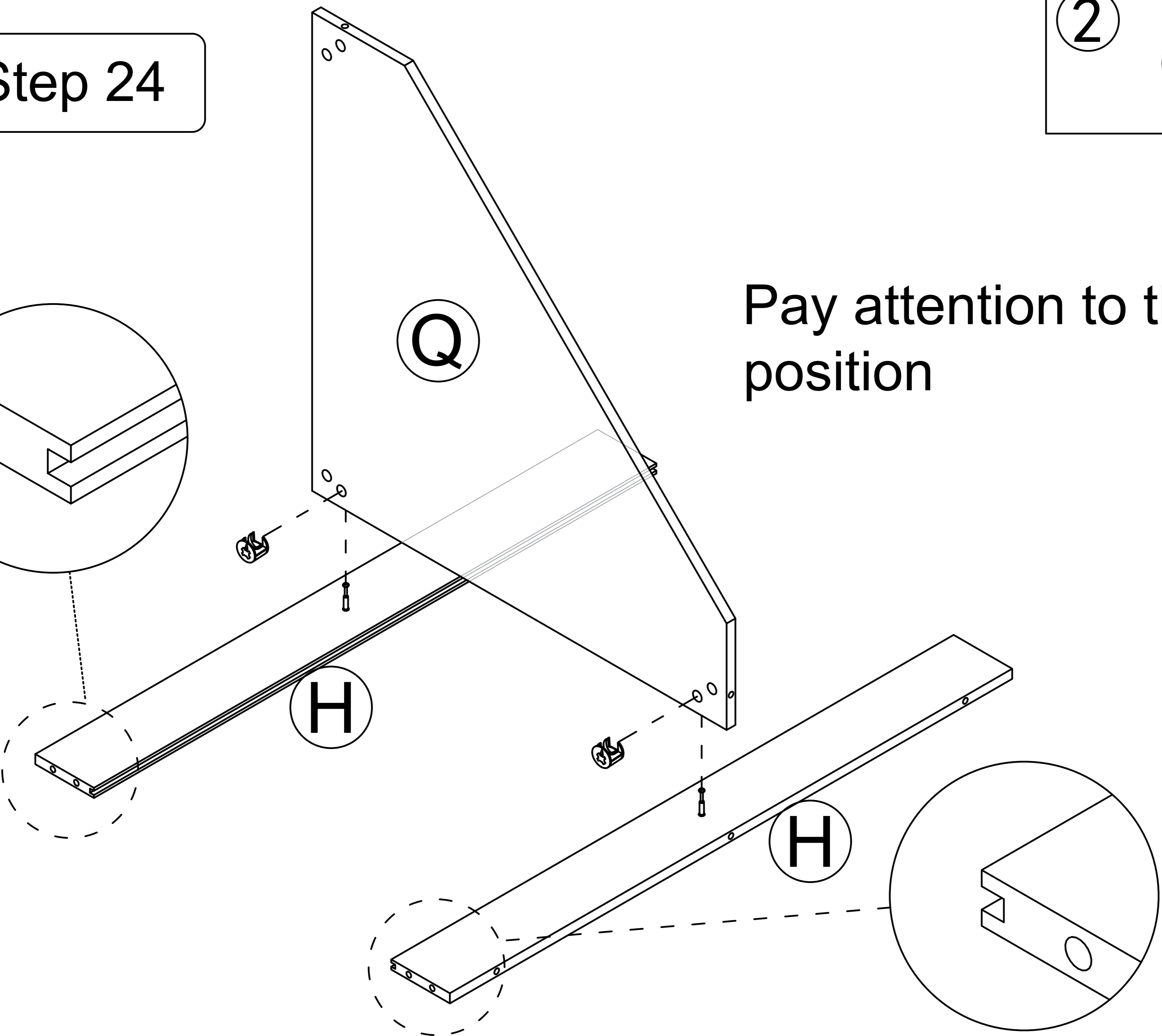


Step 24

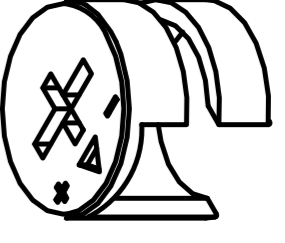
2  x 2

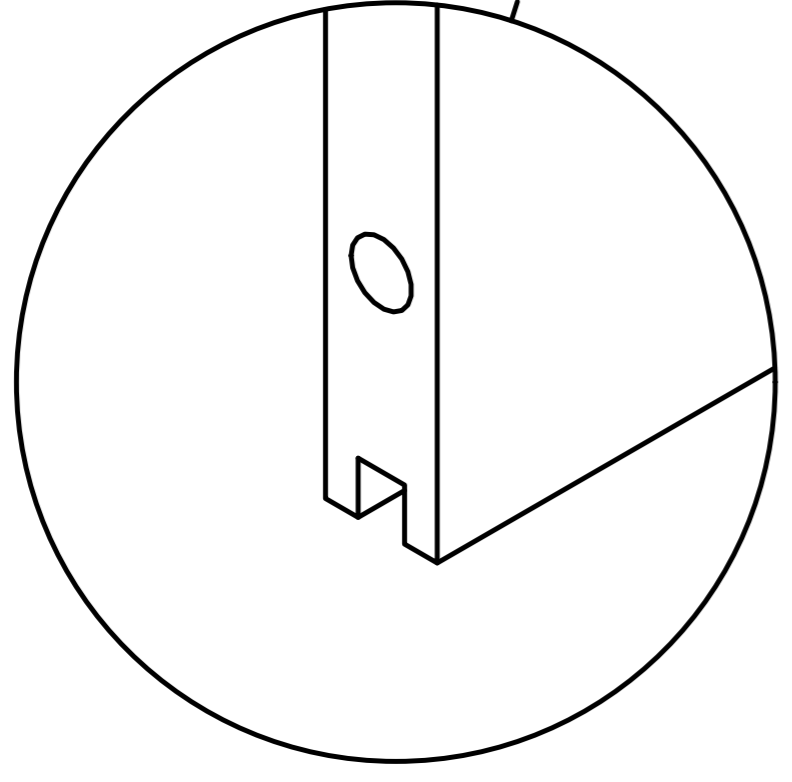


Pay attention to the slot position

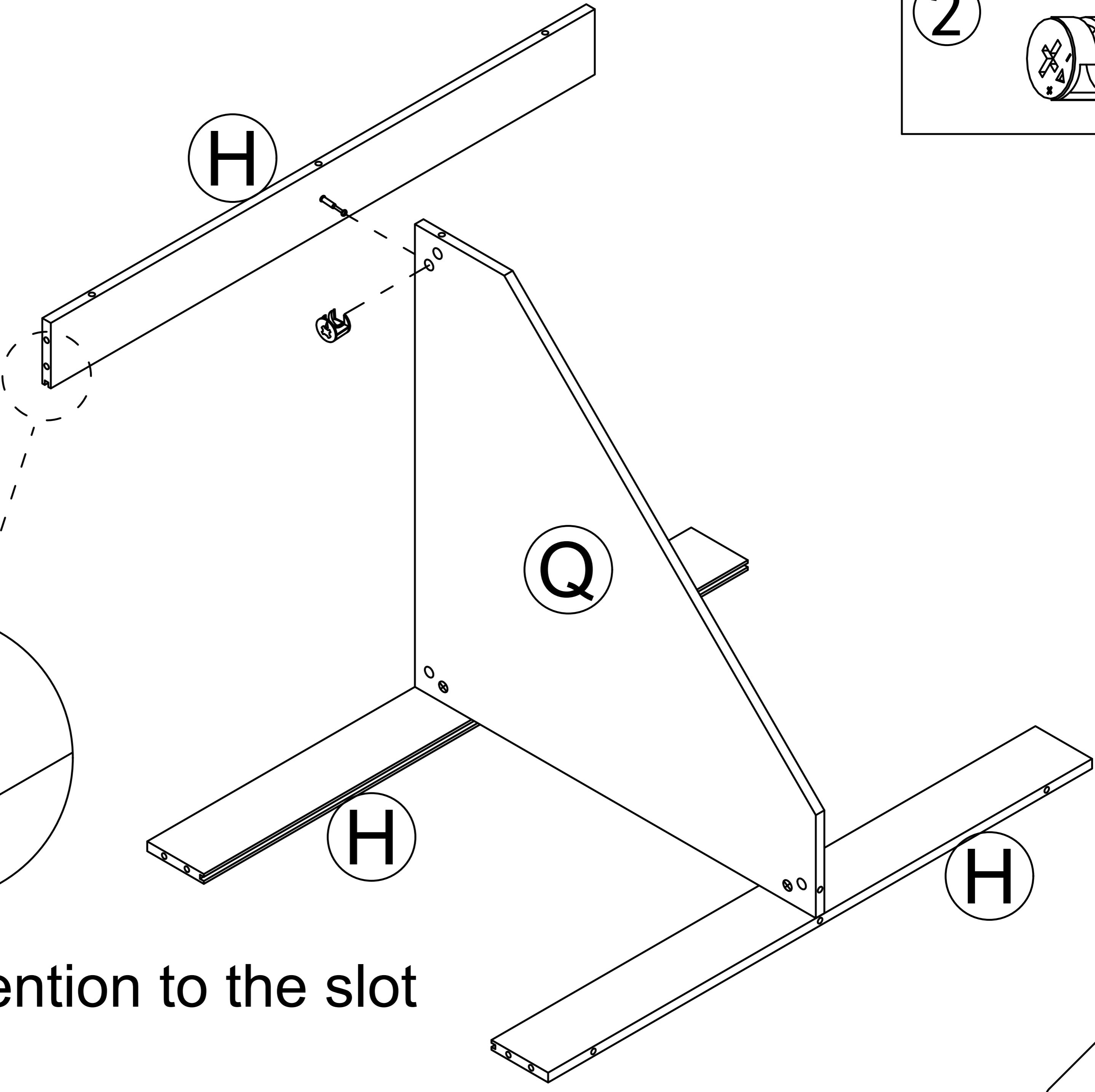


Step 25

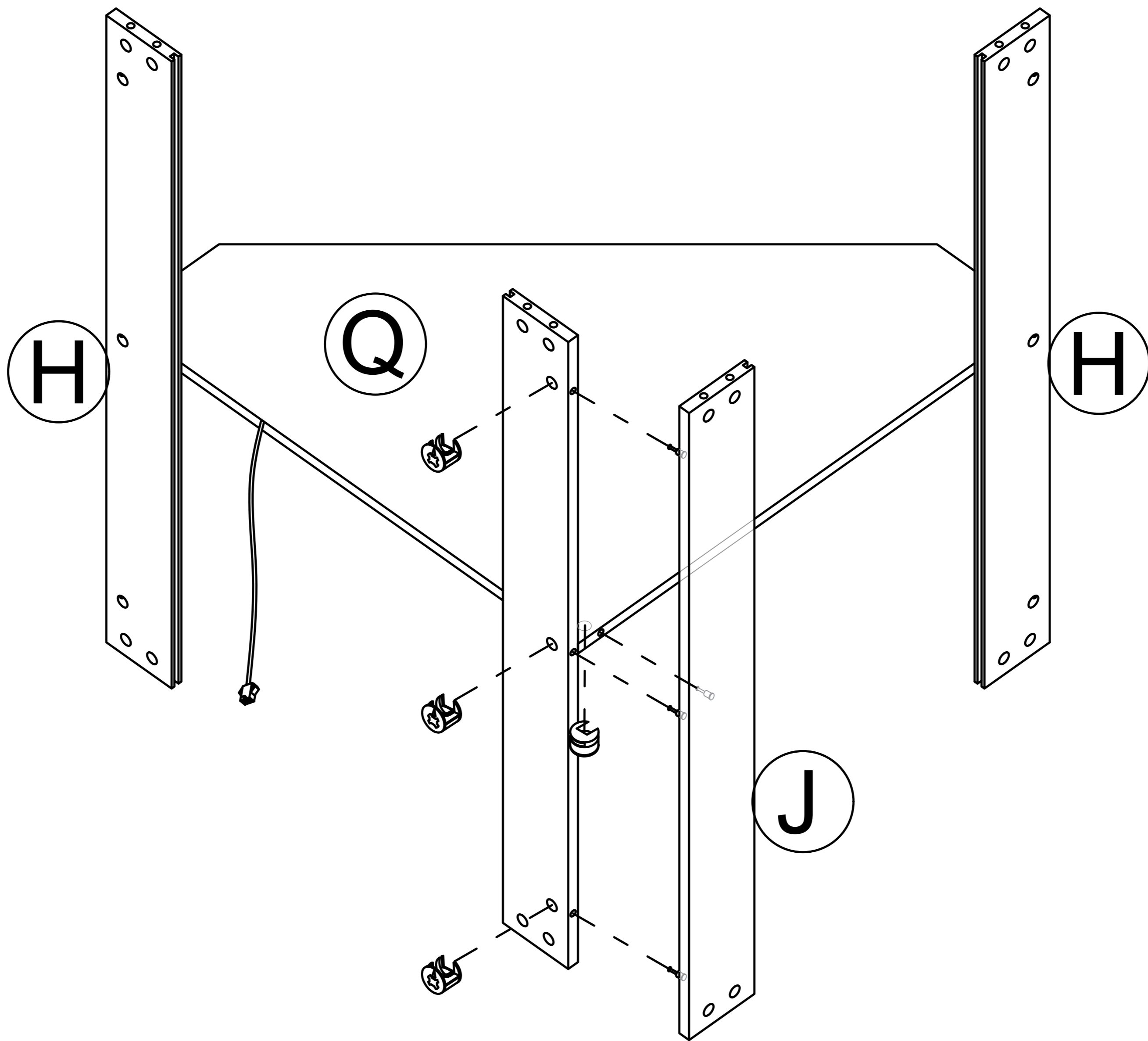
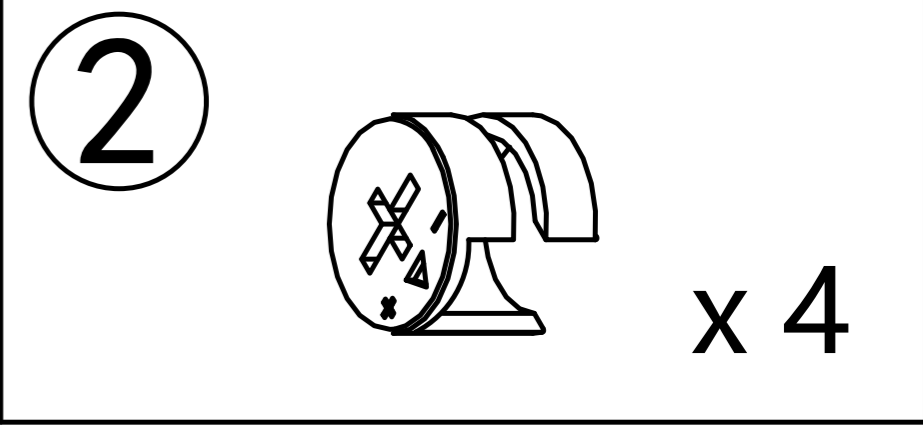
2  x 1



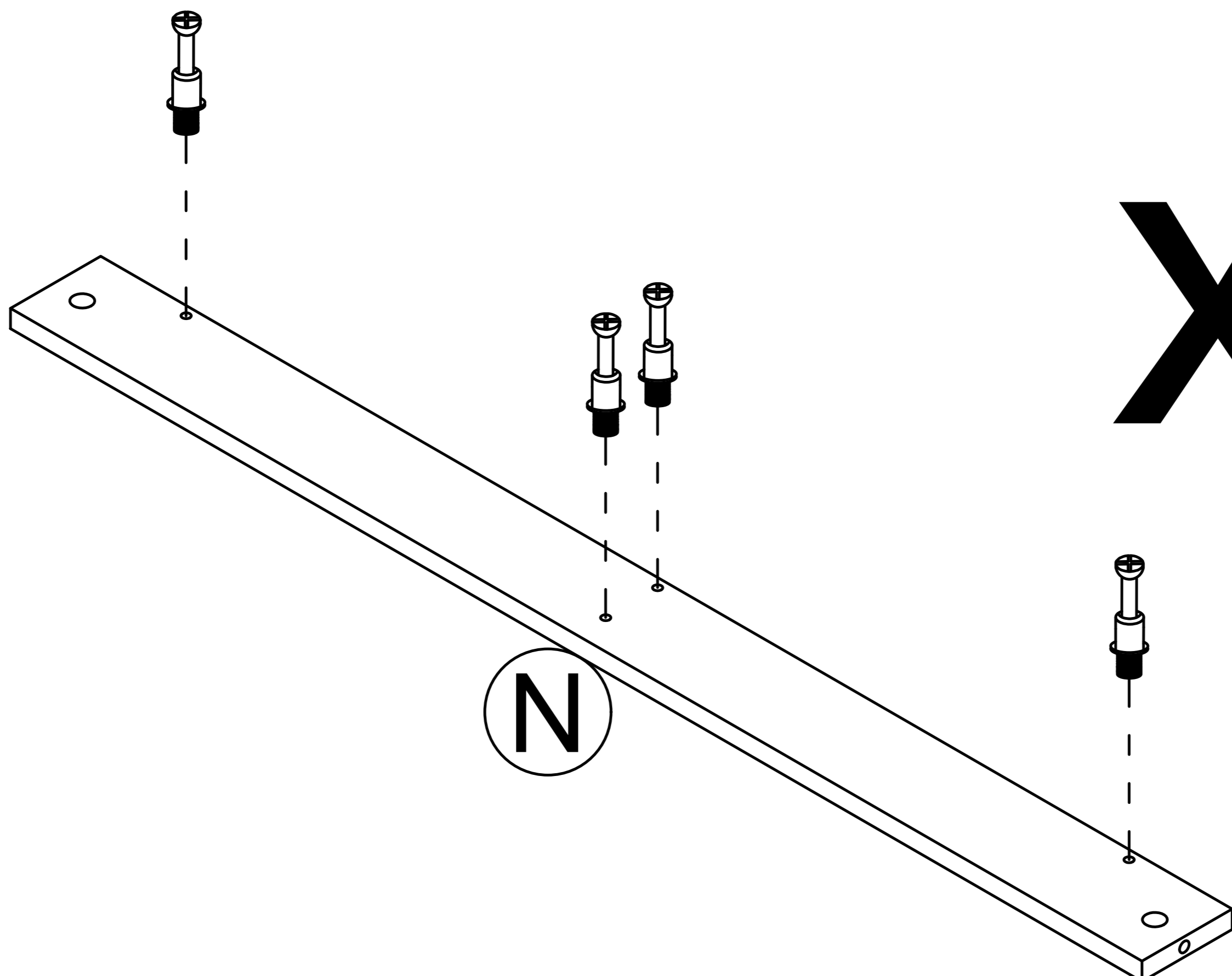
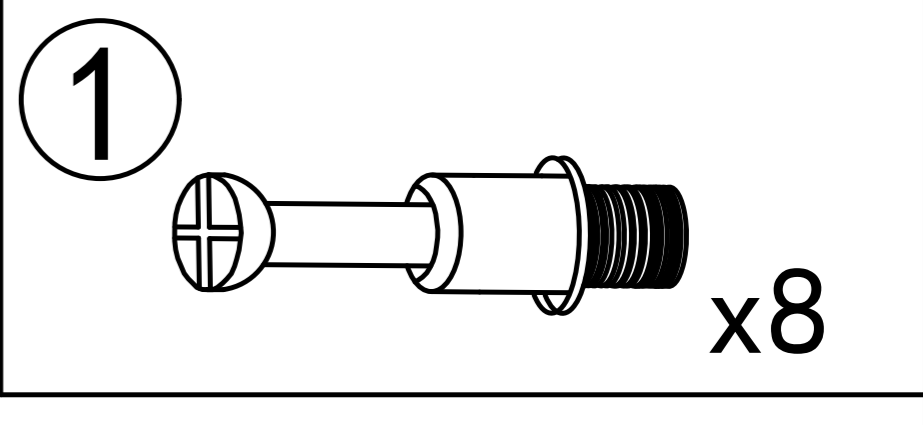
Pay attention to the slot position



Step 26

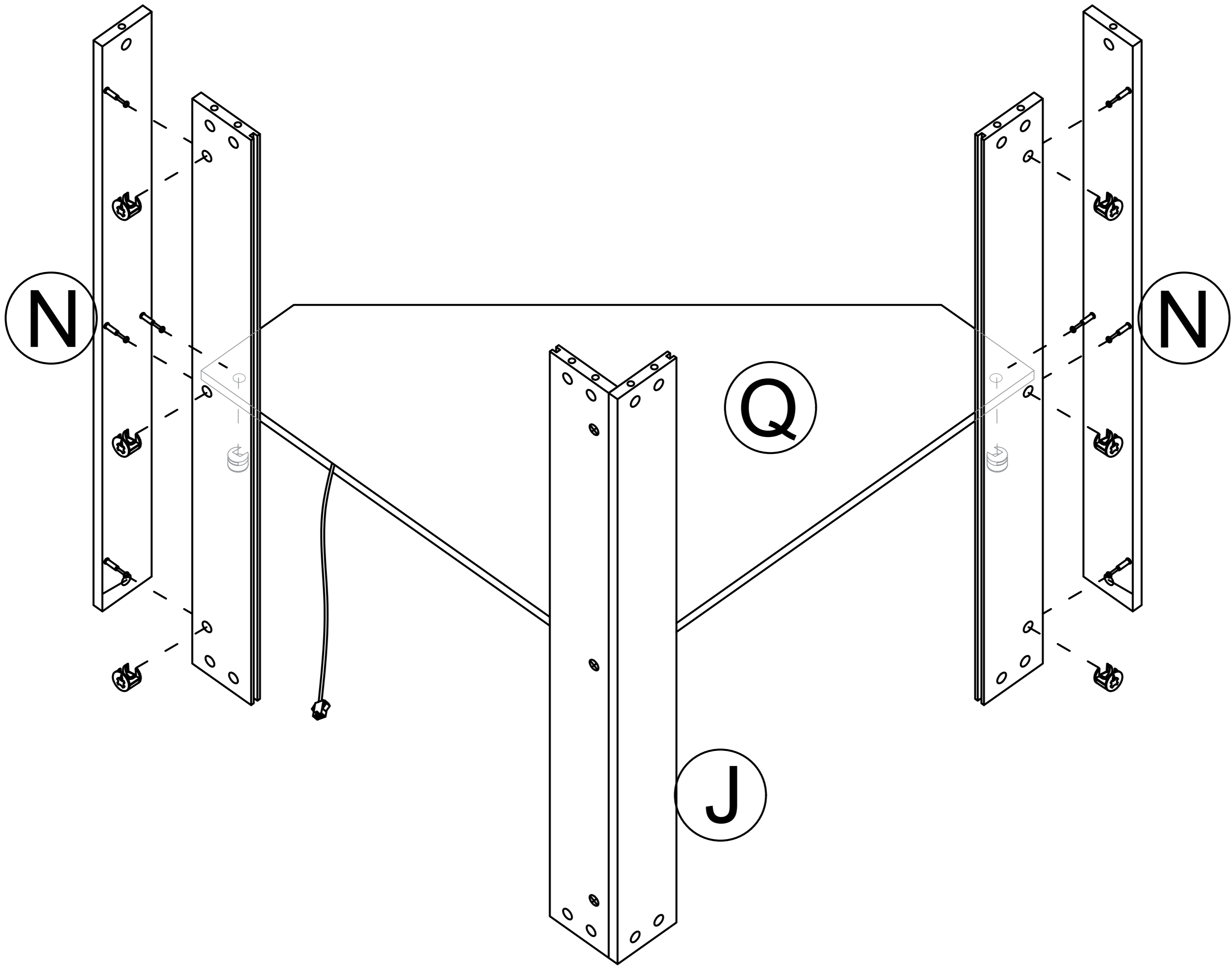
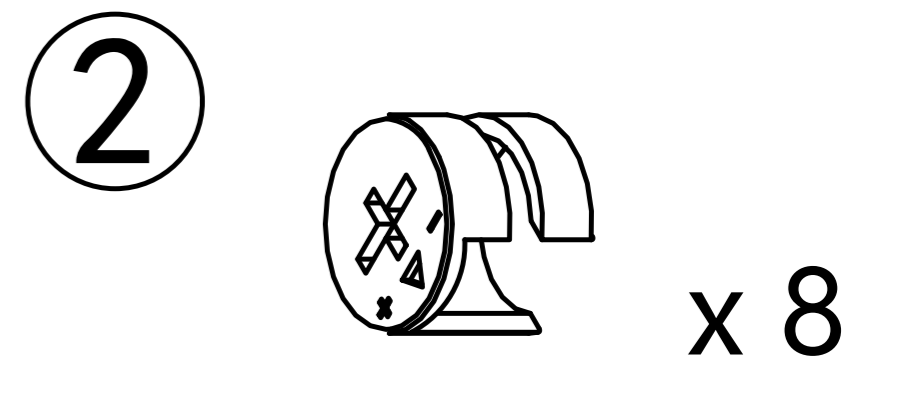


Step 27

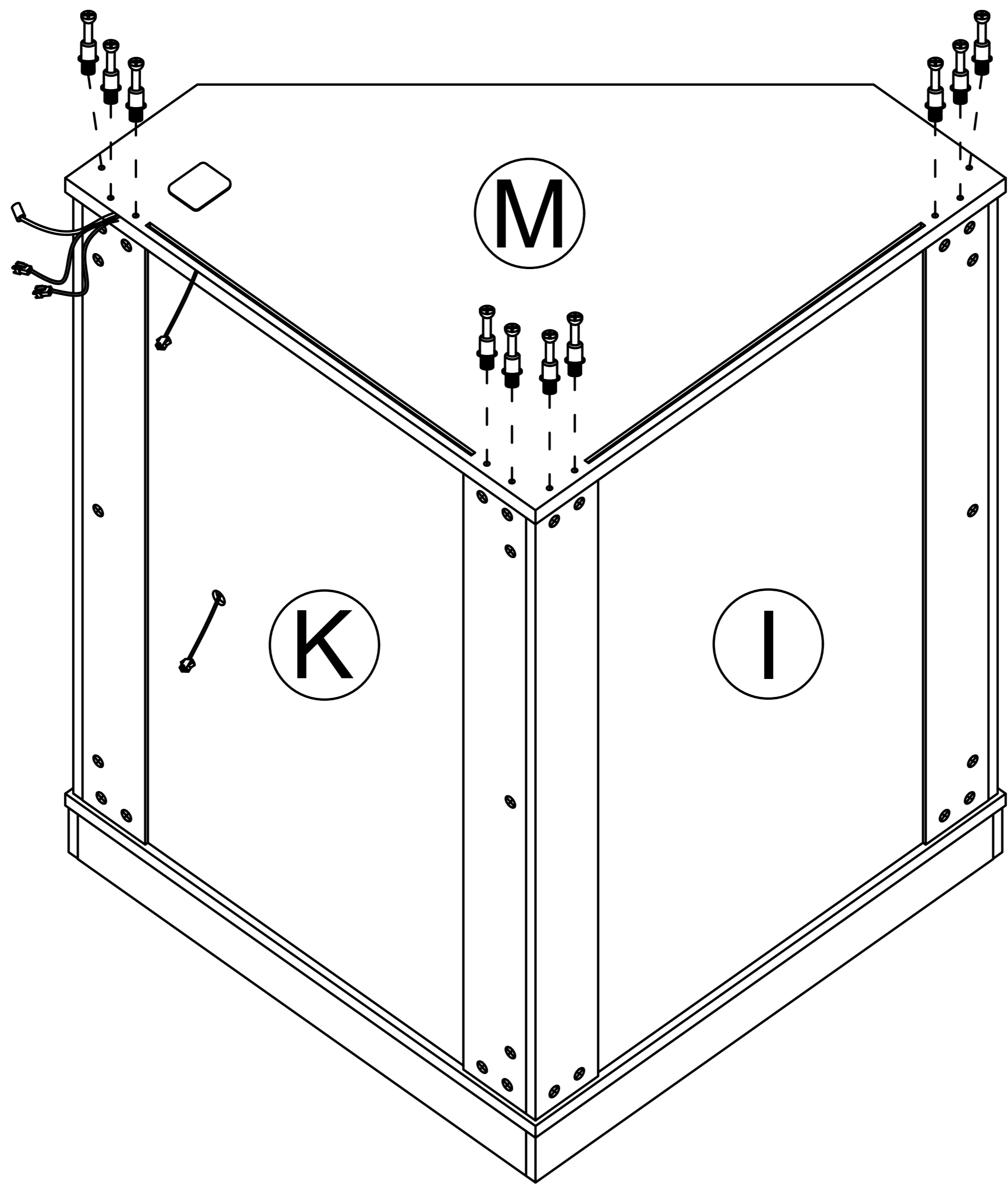
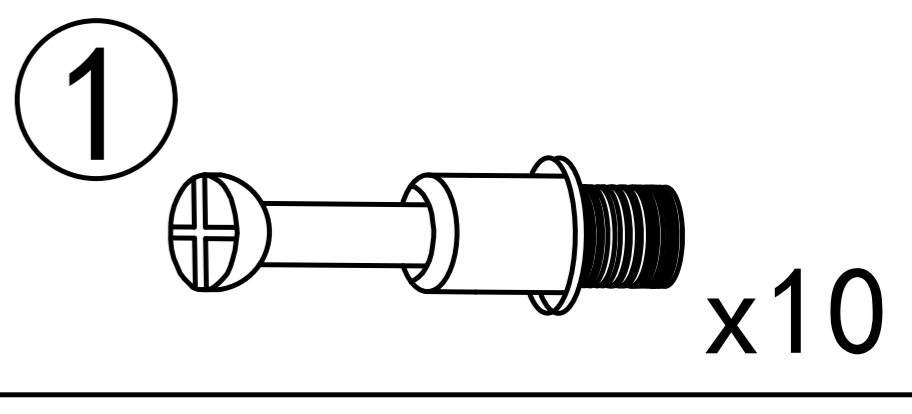


x 2

Step 28

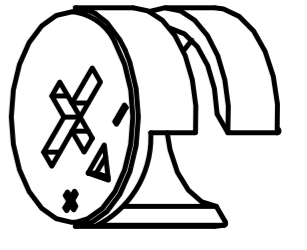


Step 29

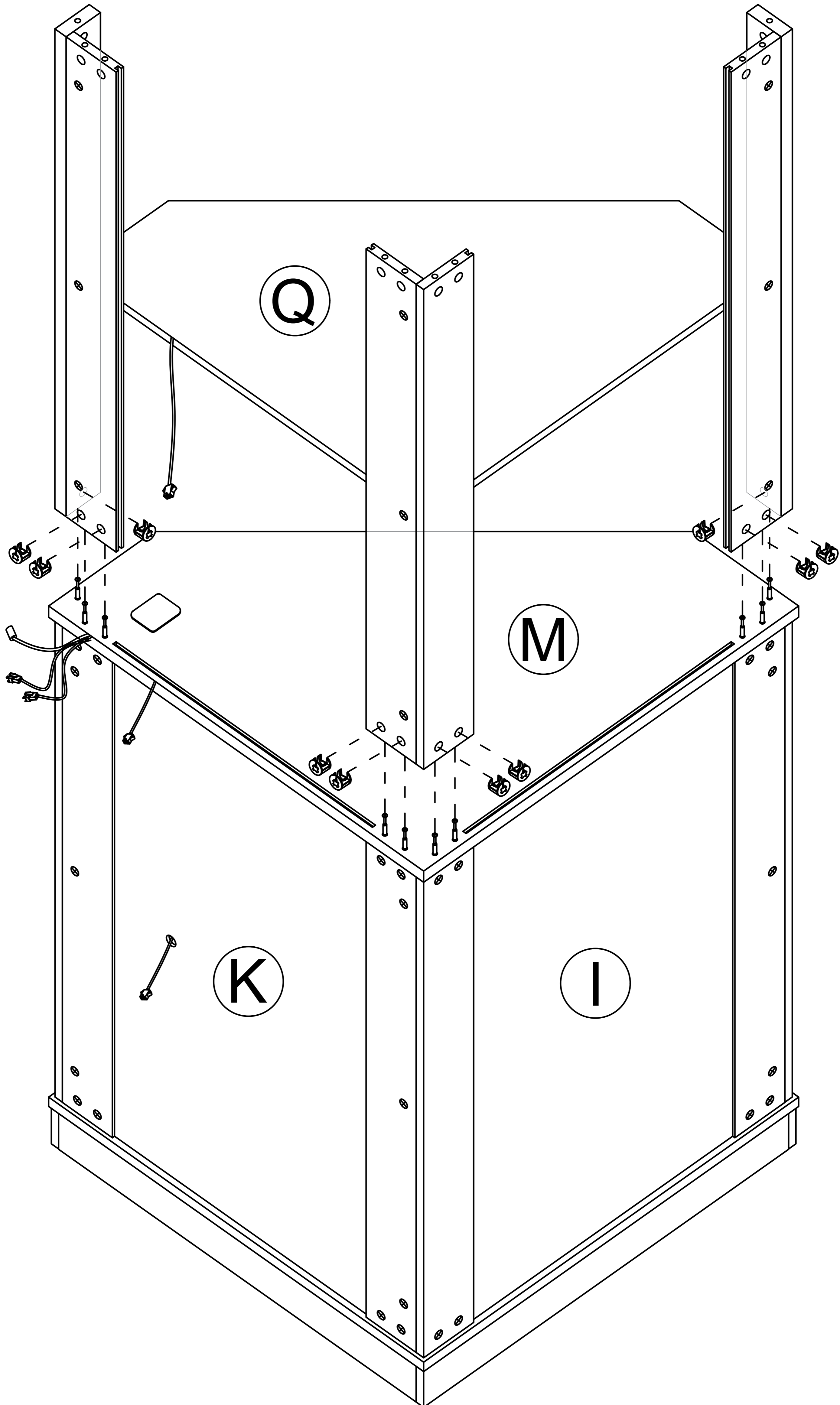


Step 30

2

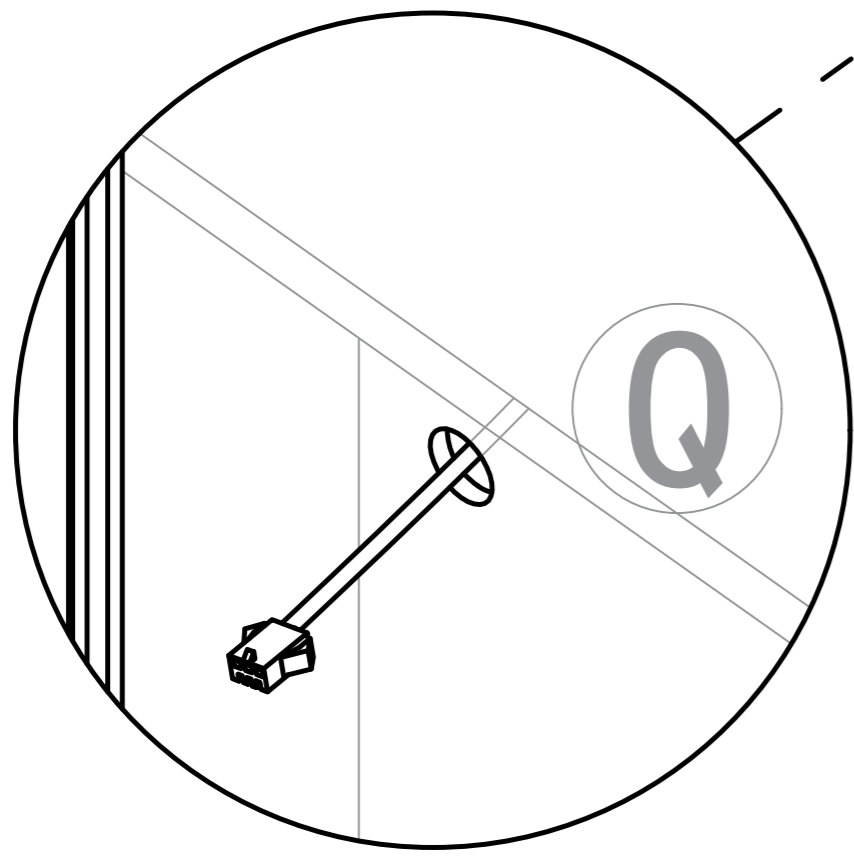


x 10

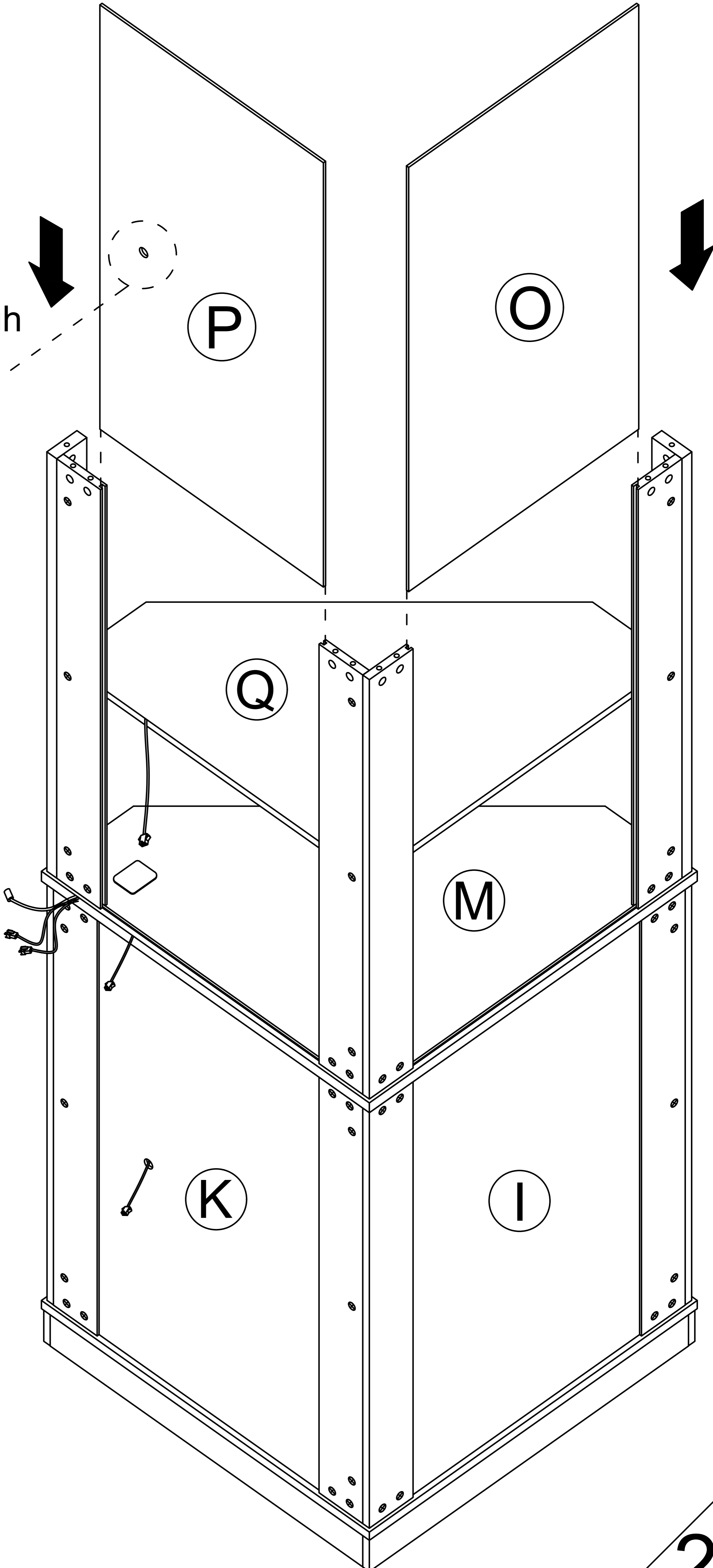


# Step 31

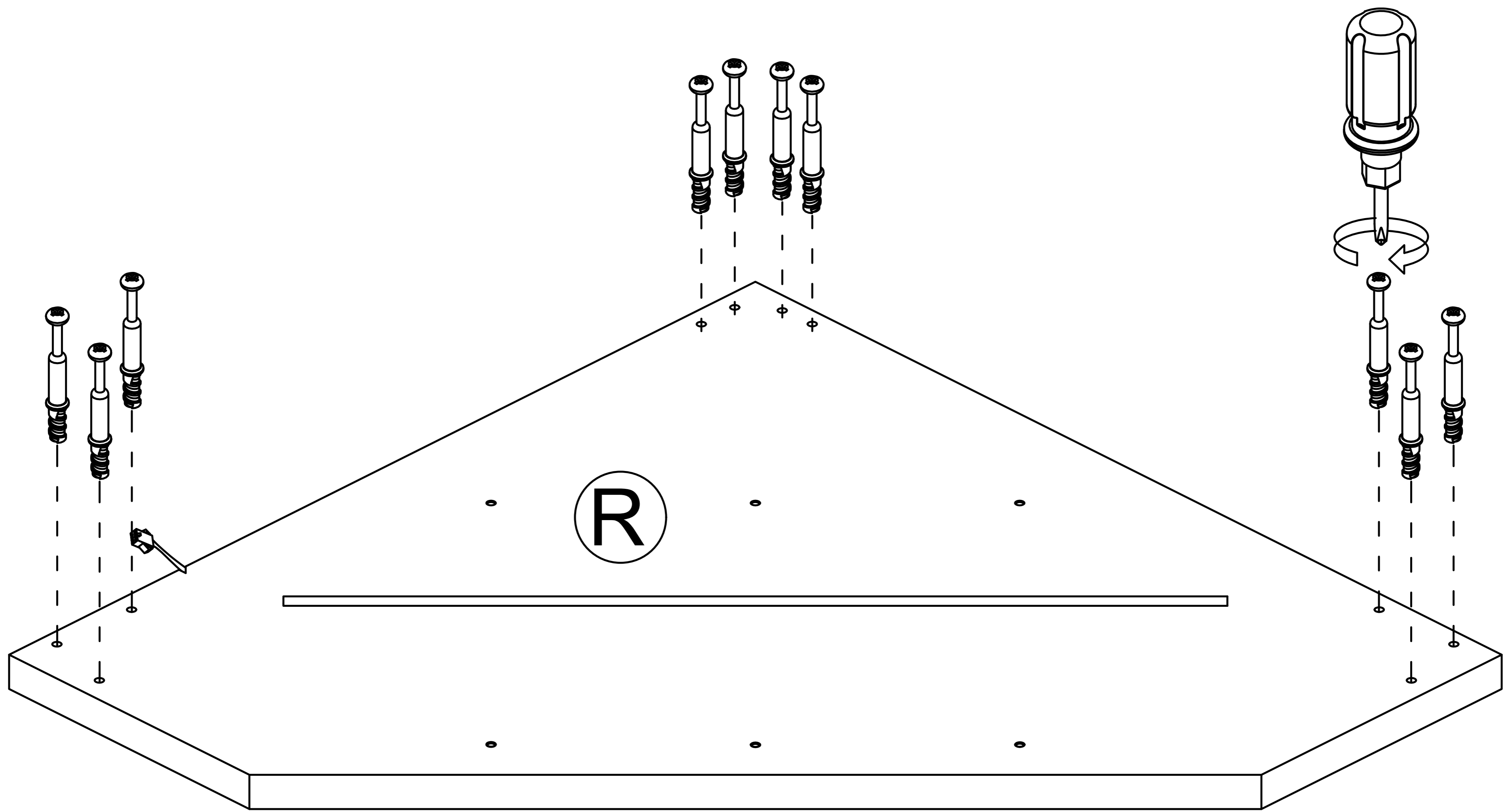
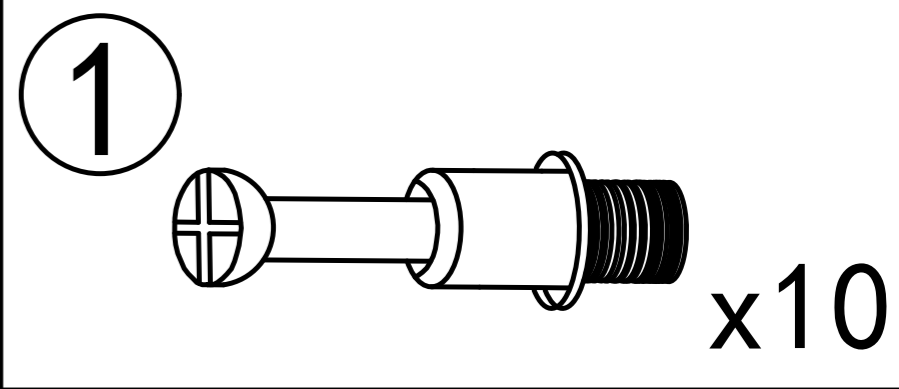
Thread the light wire through the P-board



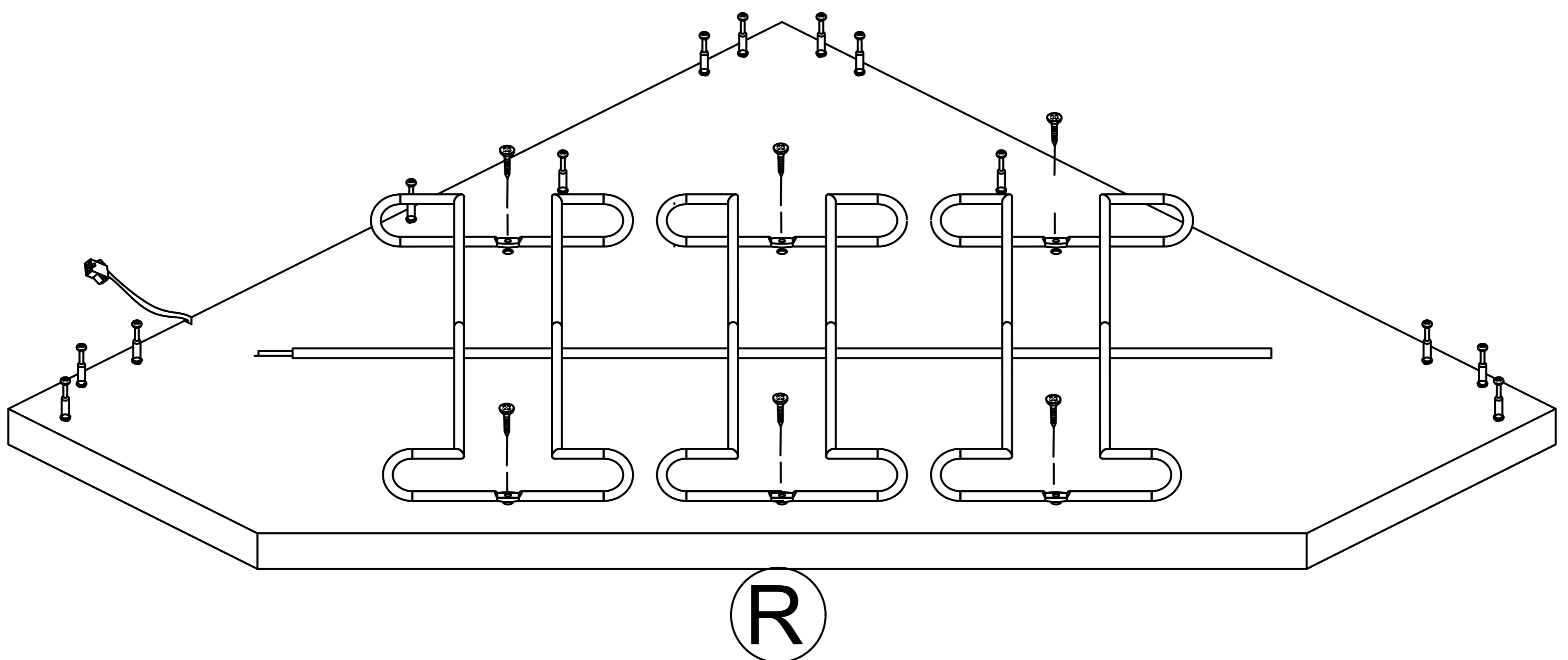
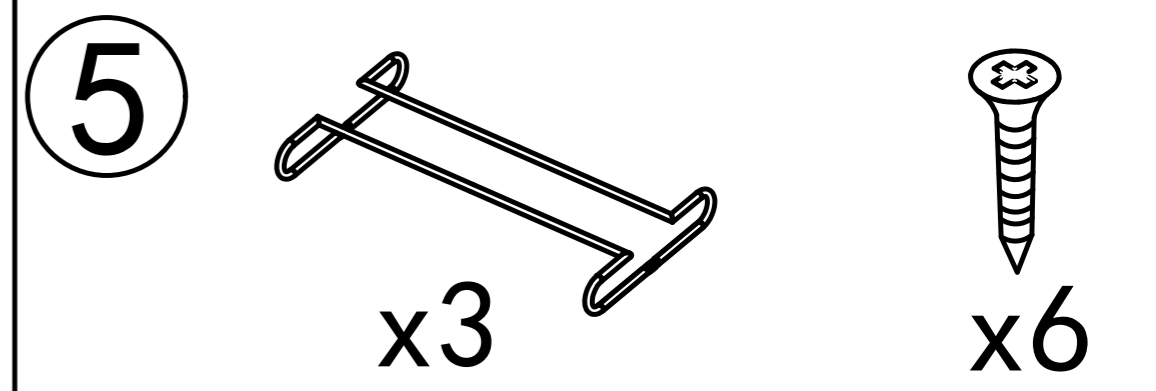
The hole position of the P-board should be below the Q-board. If the position is not correct, the P-board can be adjusted by flipping it up and down, otherwise it will cause the inability to lead out the light wire



Step 32

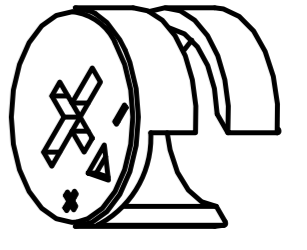


Step 33

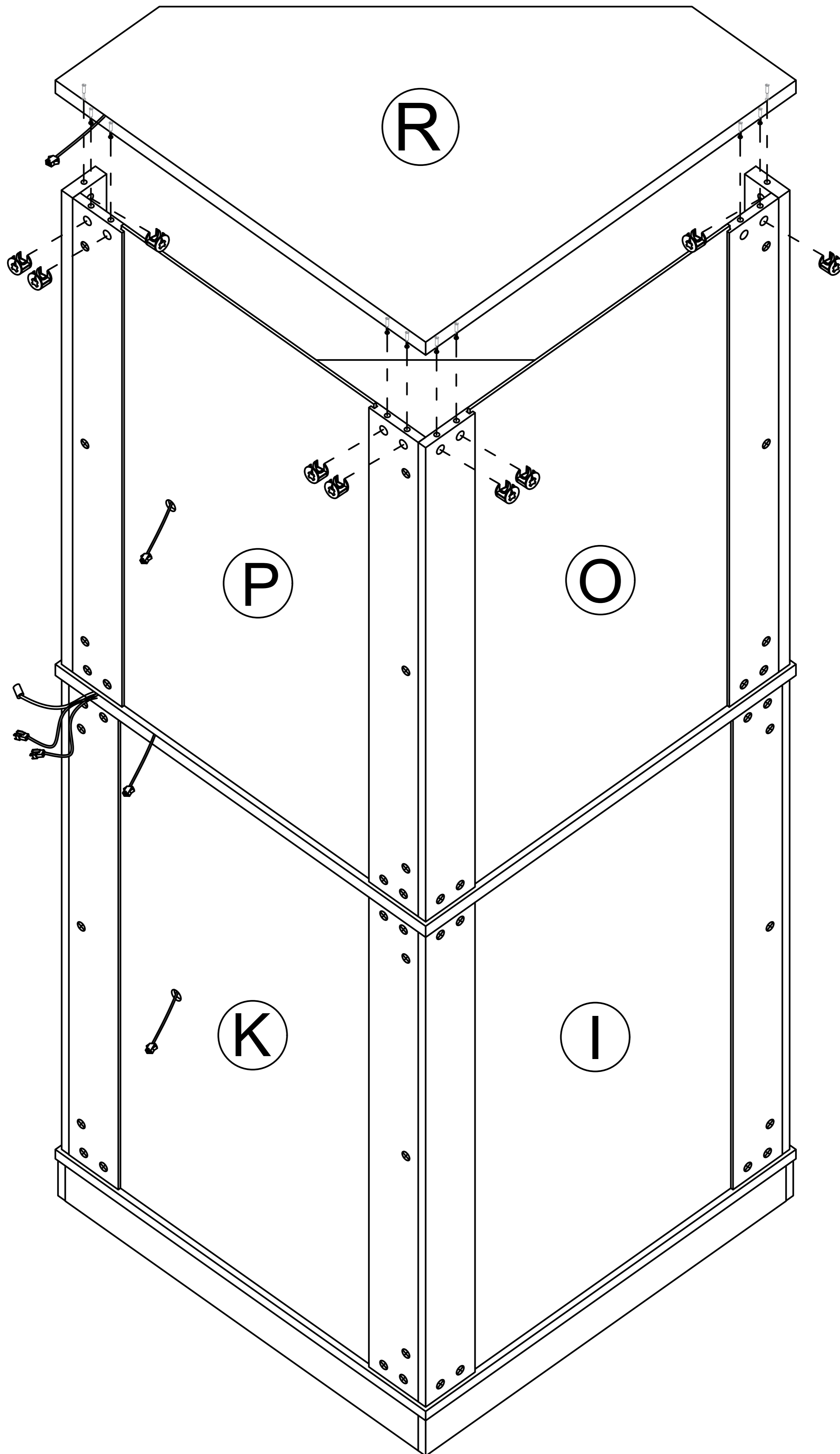


Step 34

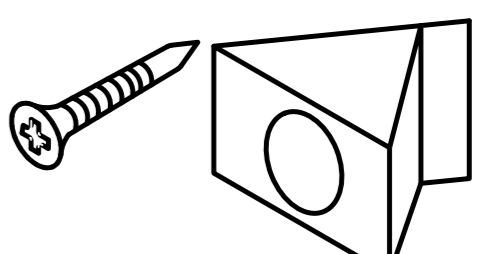
2

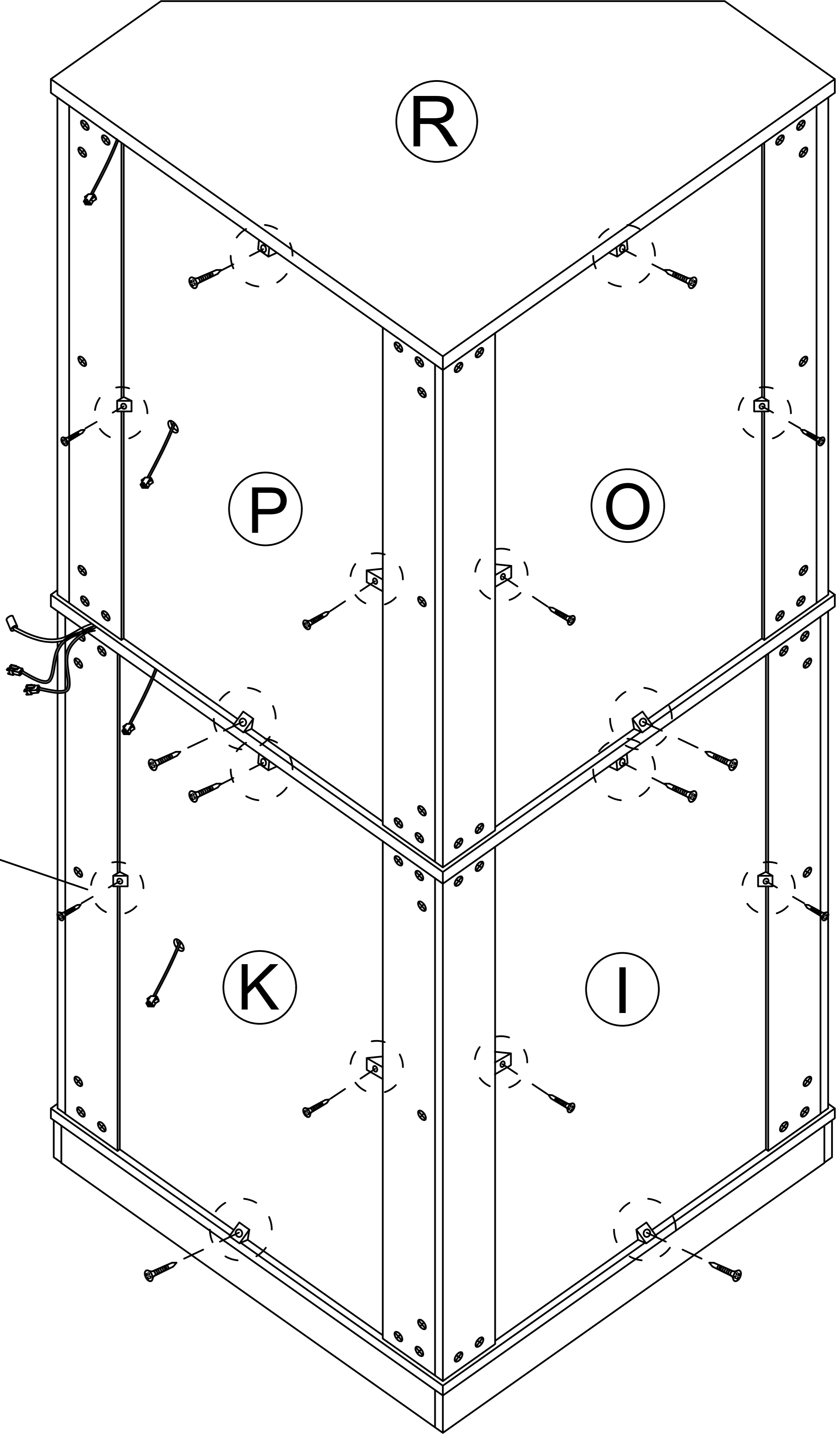
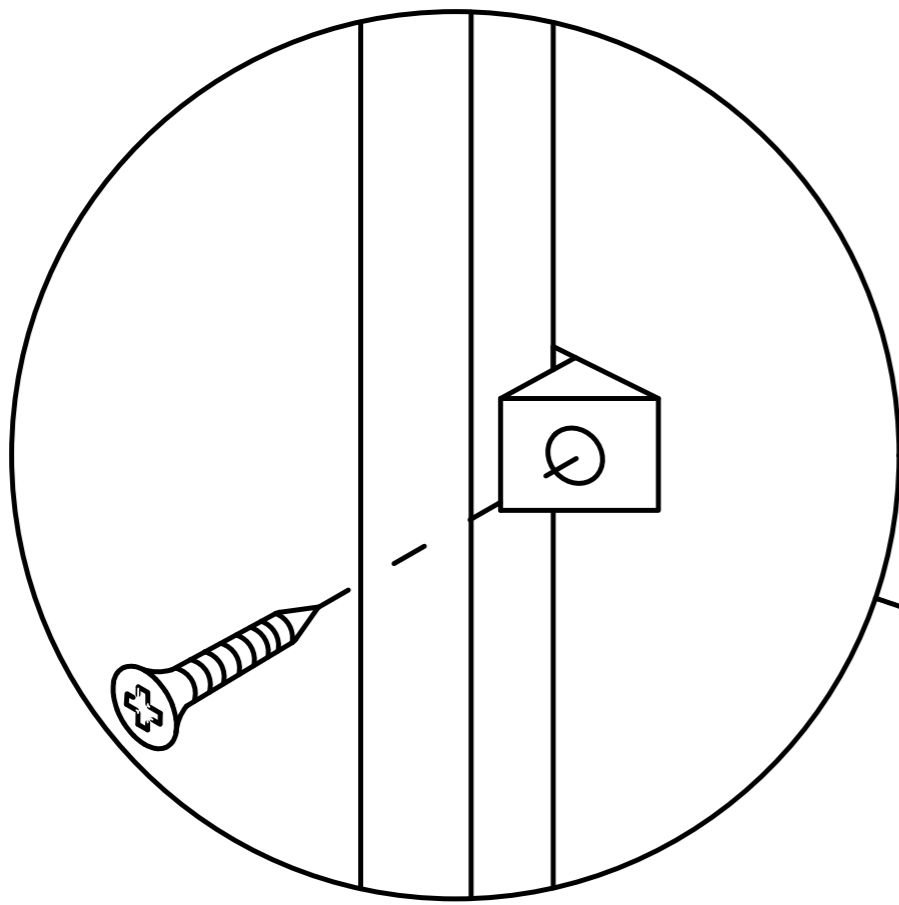
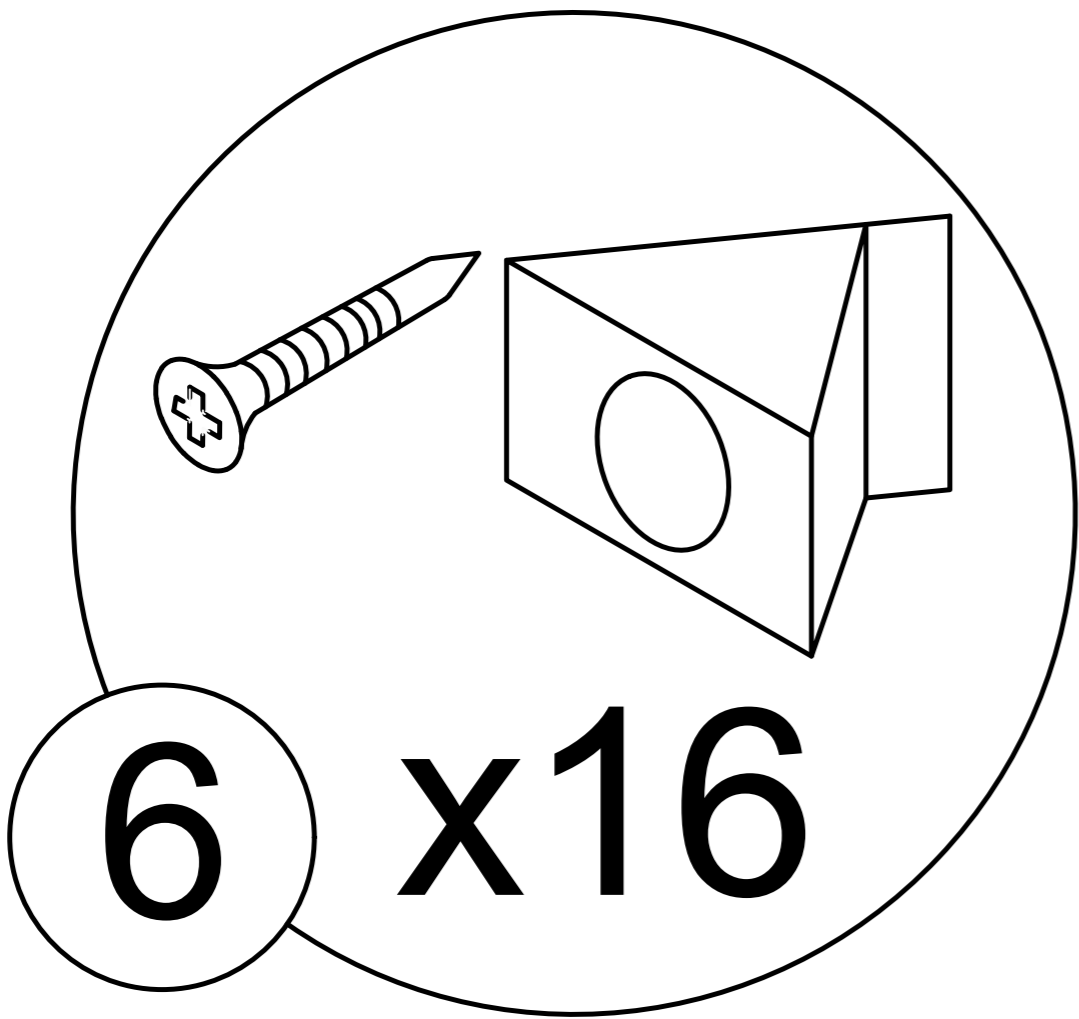


x 10

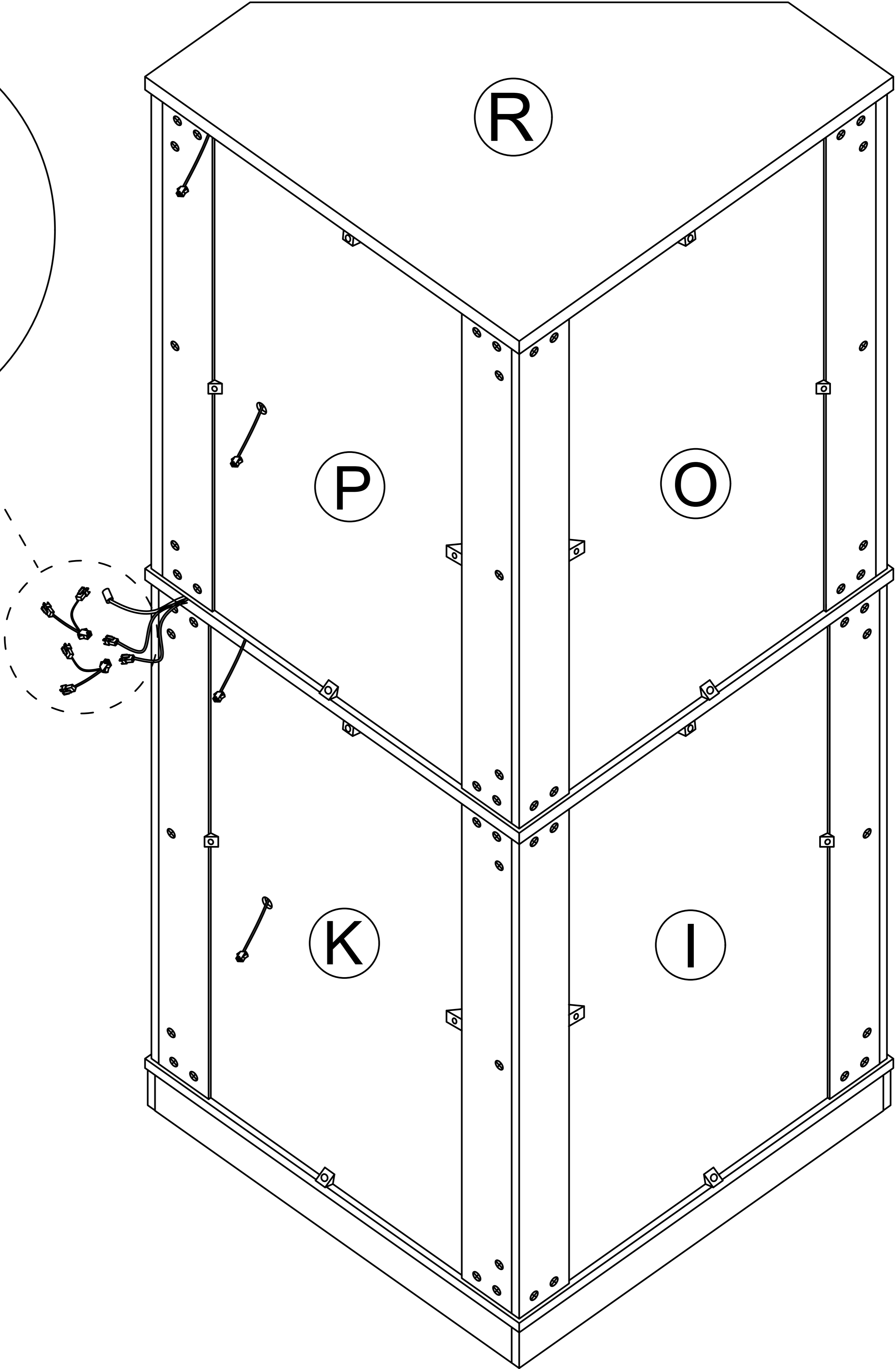
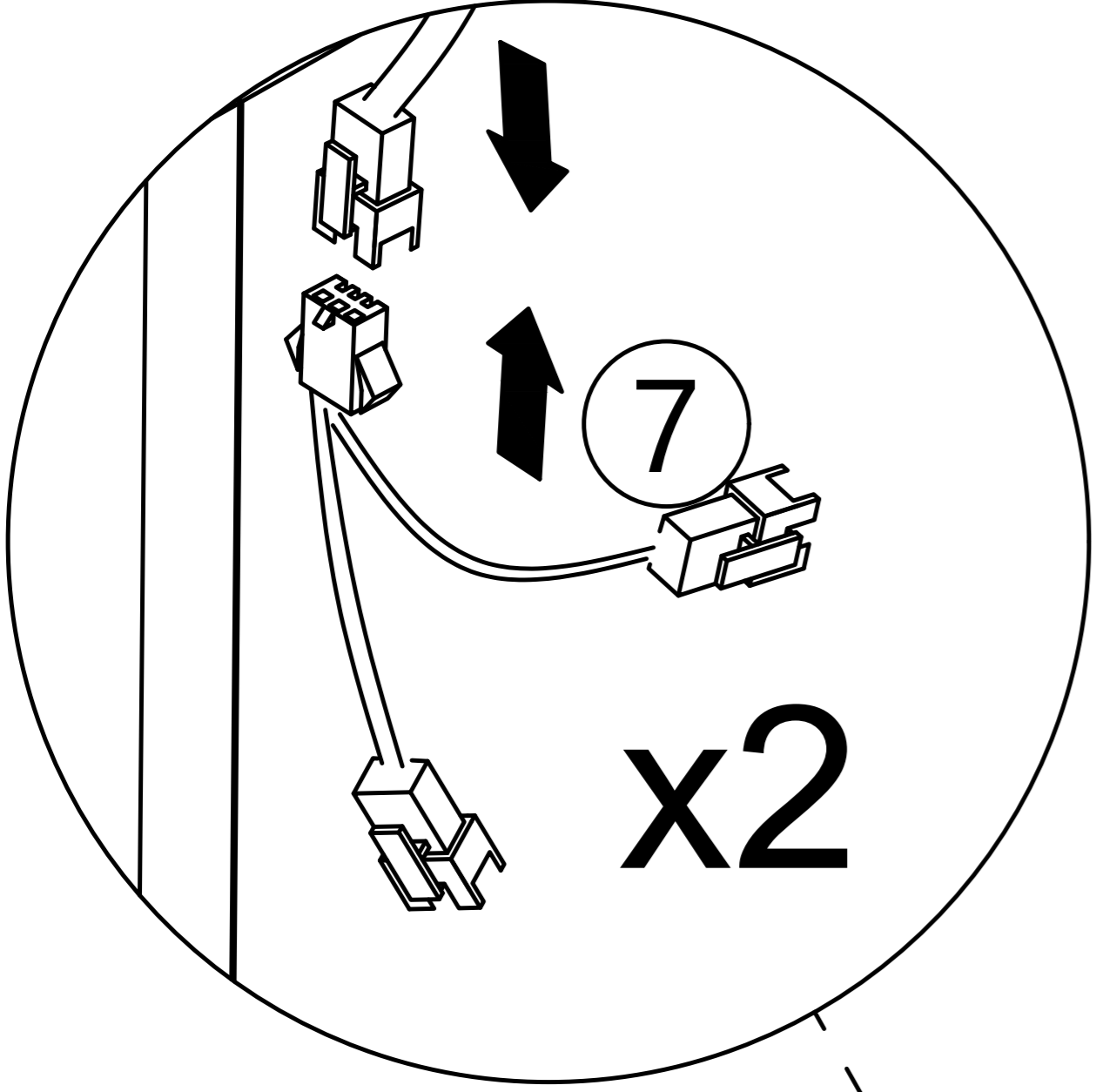
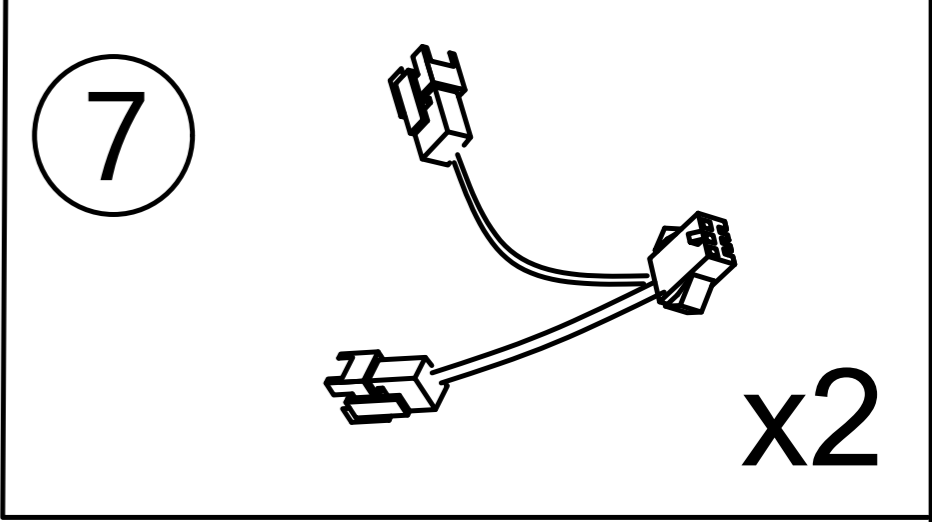


Step 35

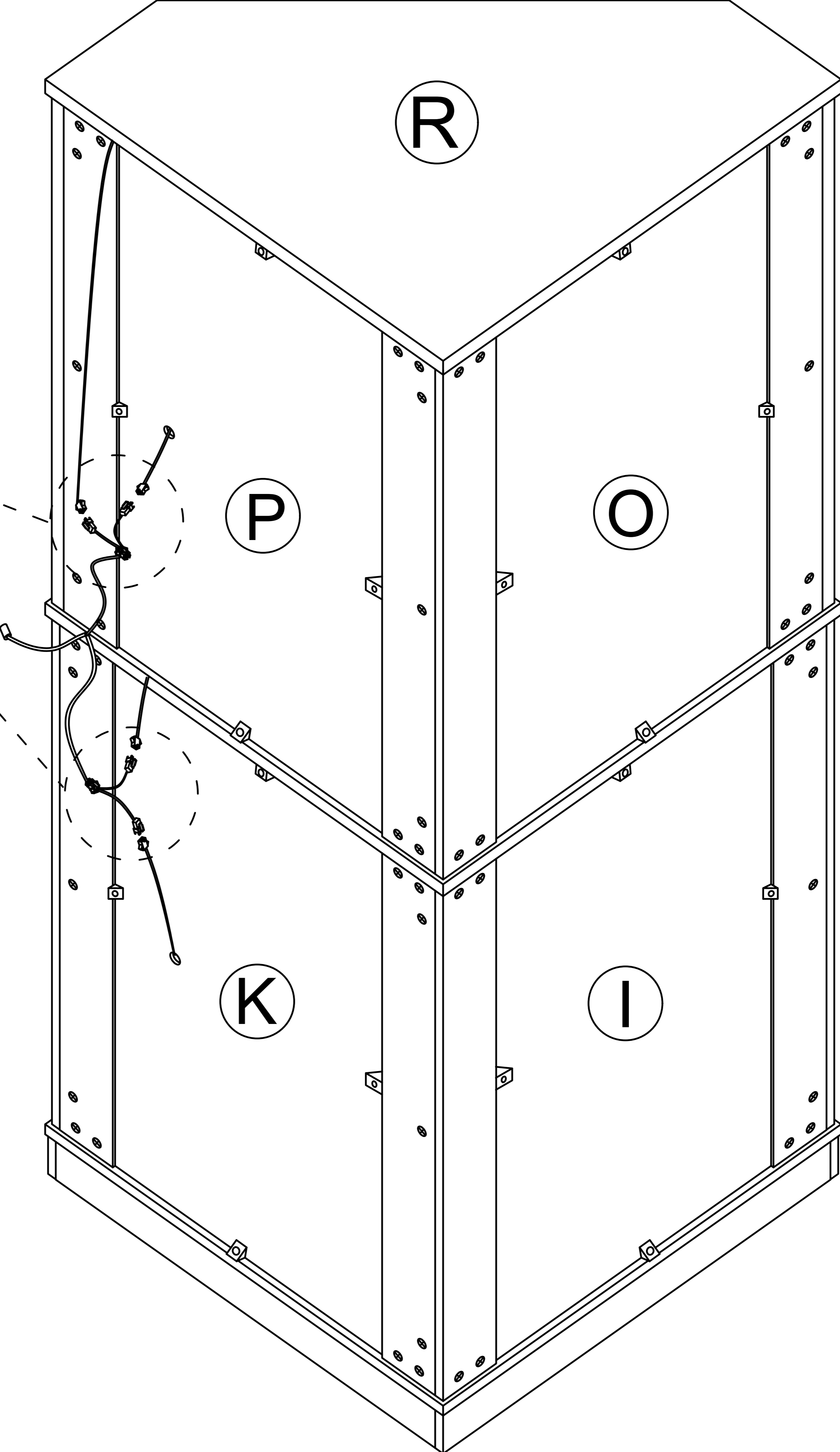
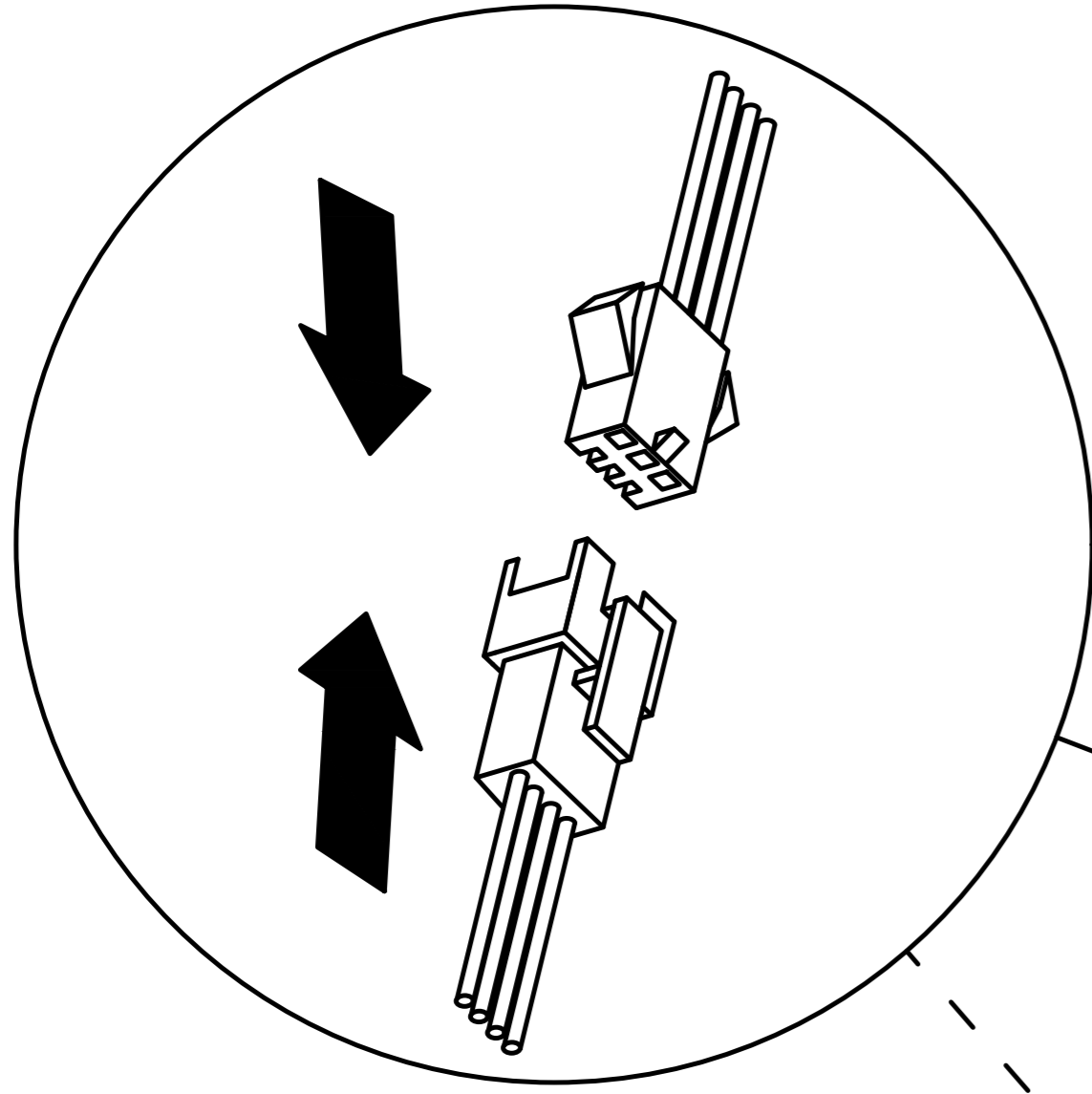
6  x16



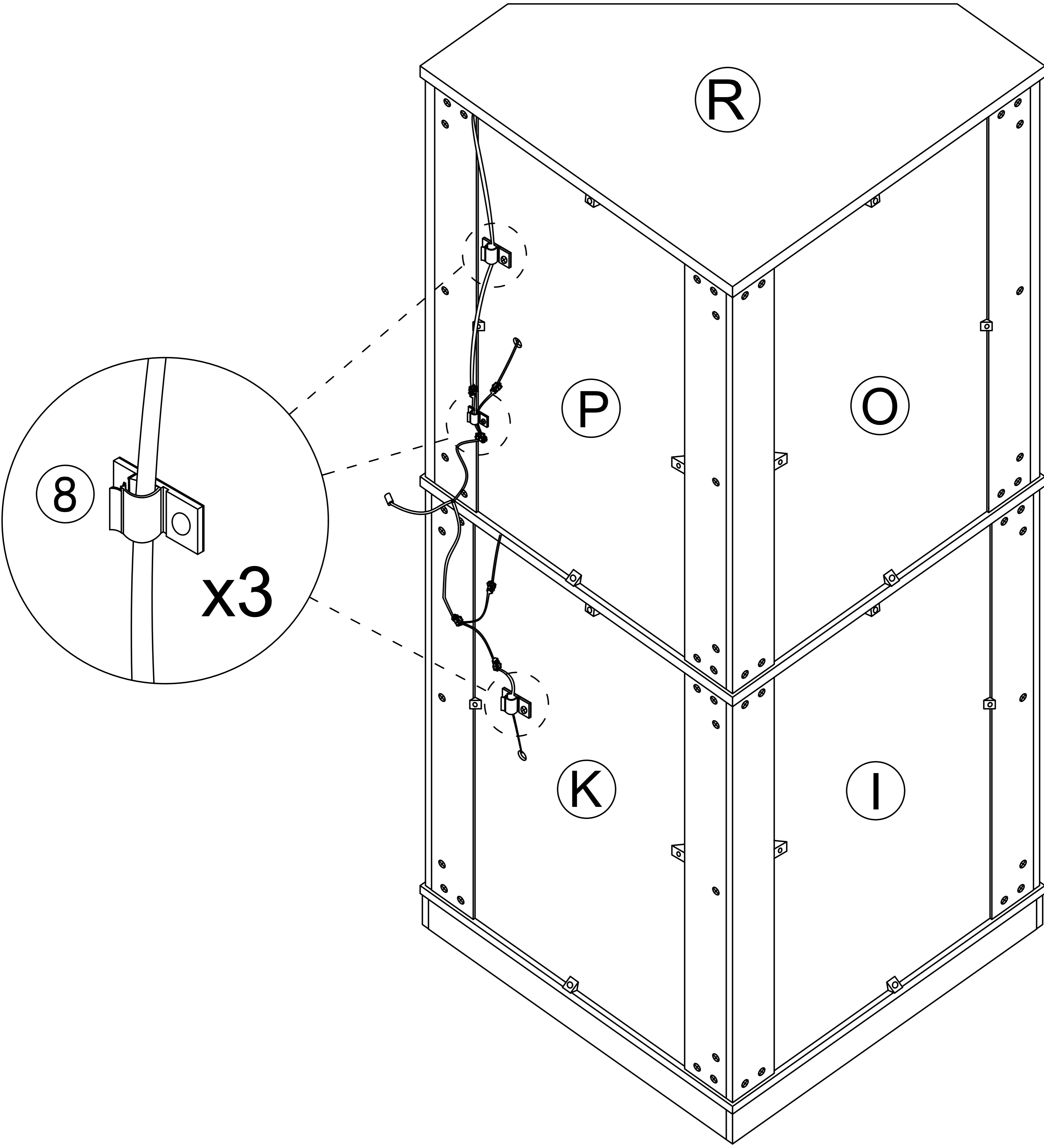
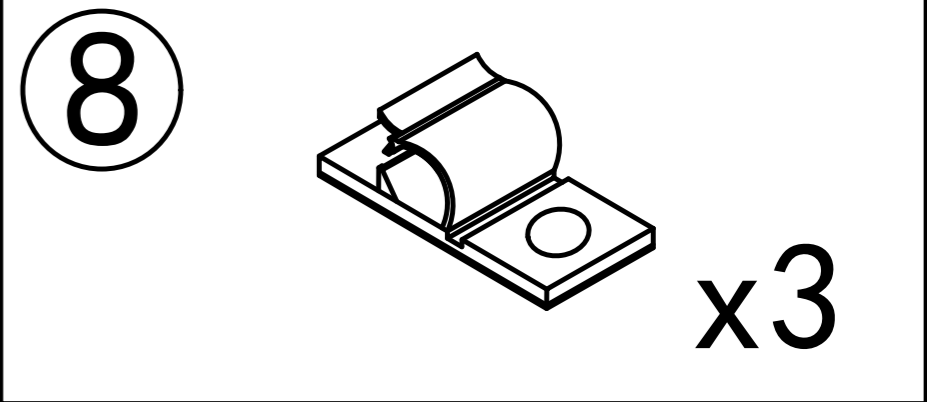
Step 36



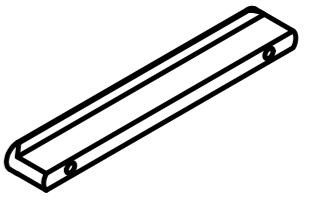
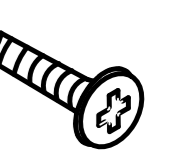
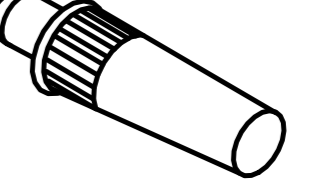
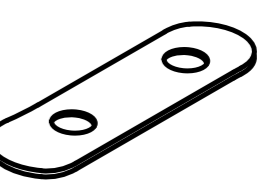
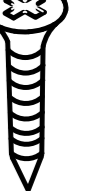
Step 37

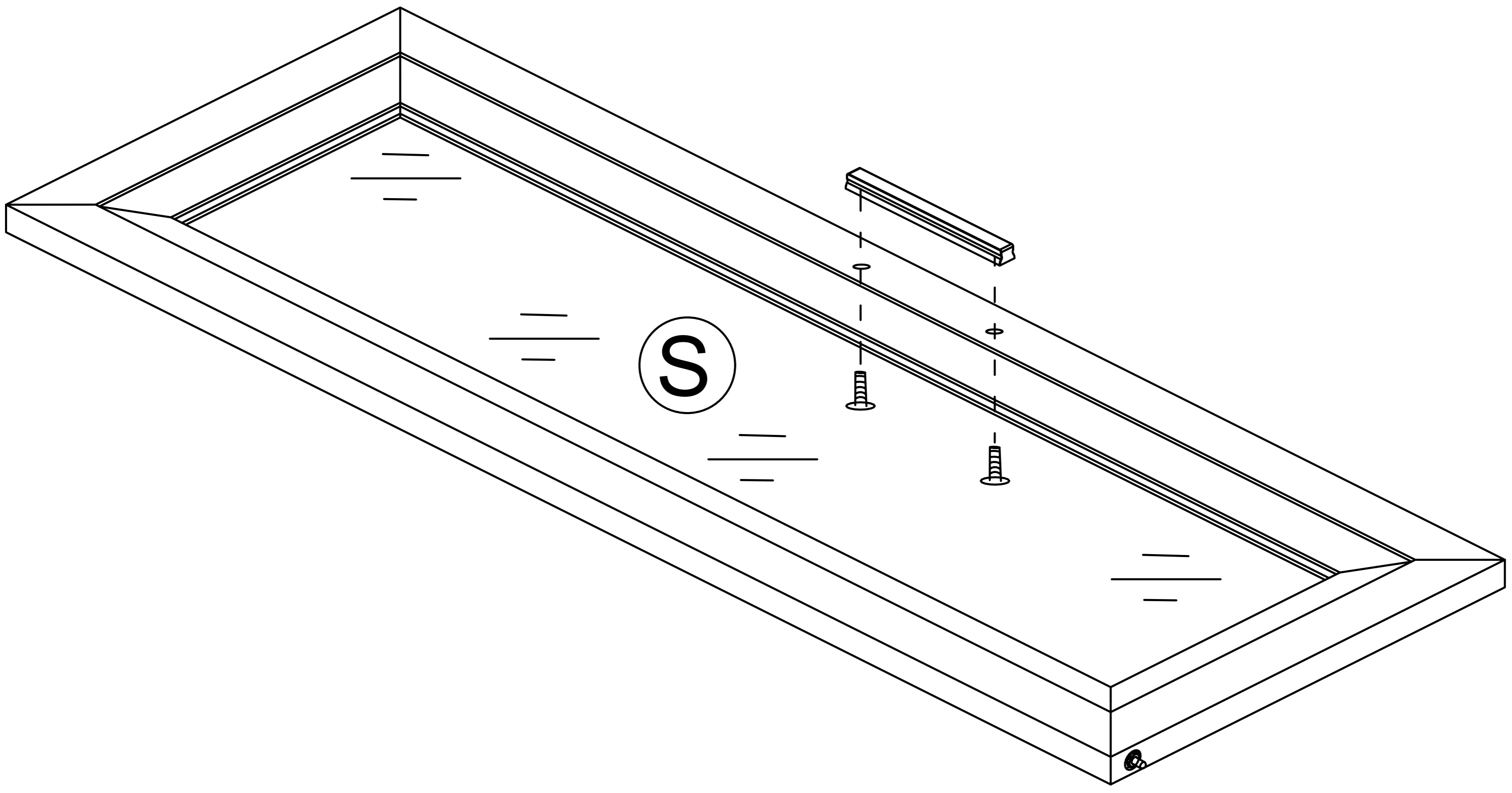
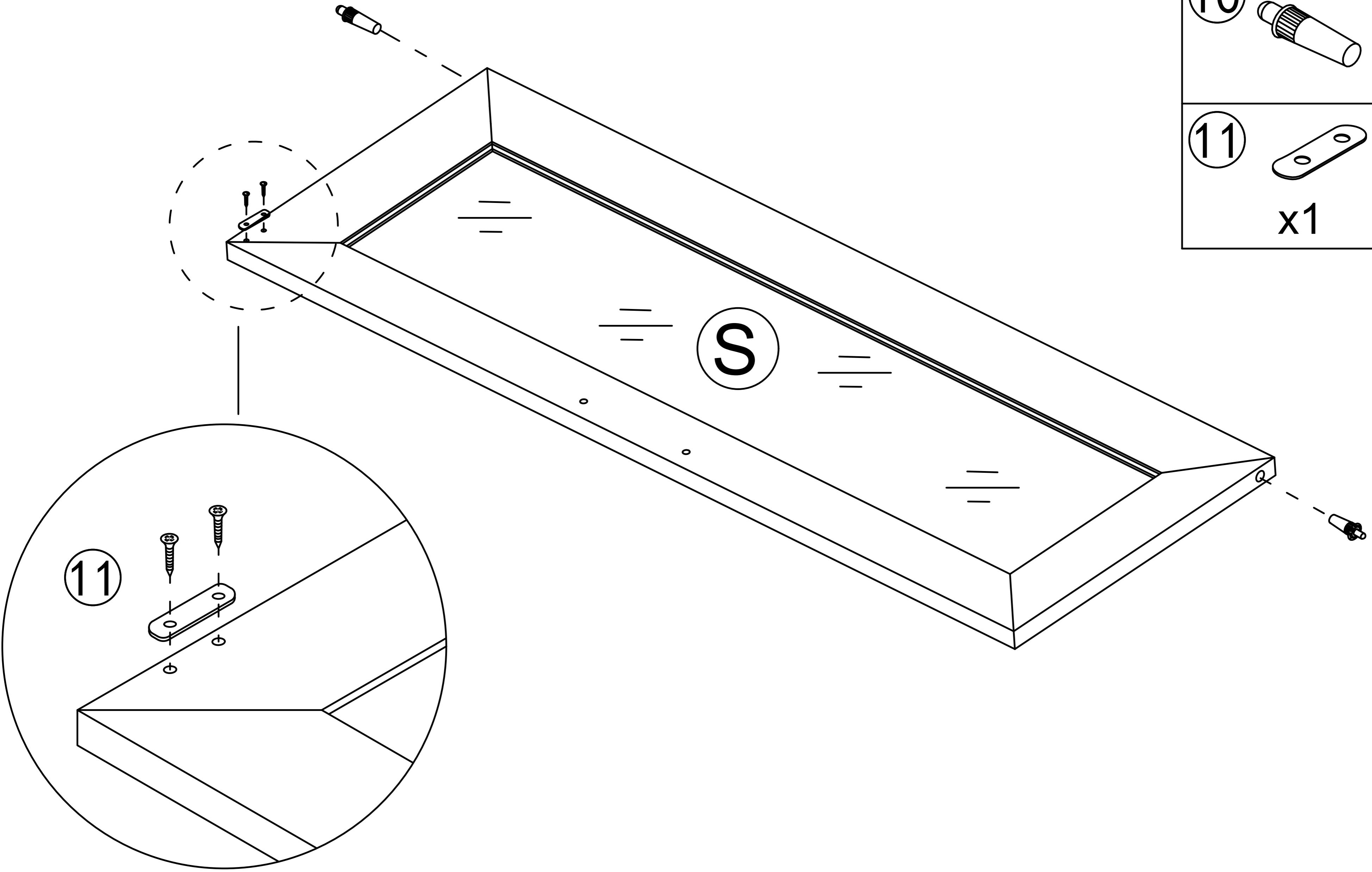


Step 38

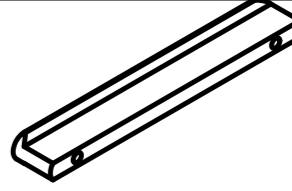
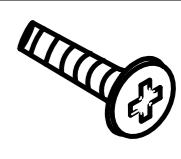
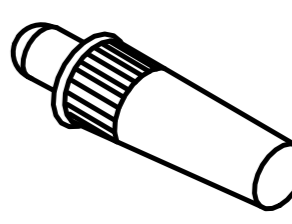
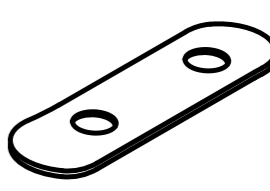
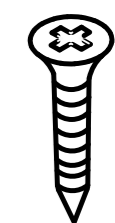


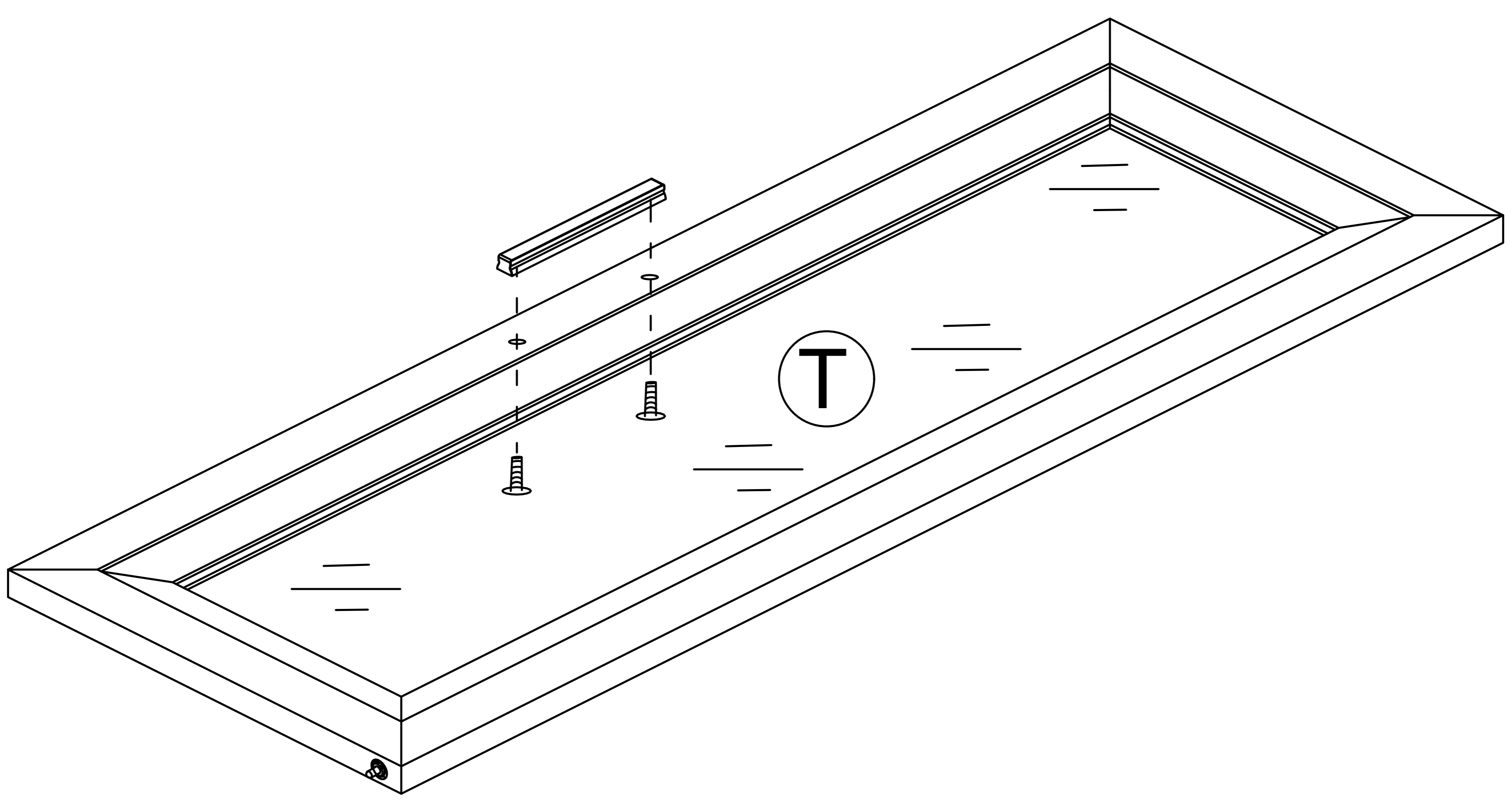
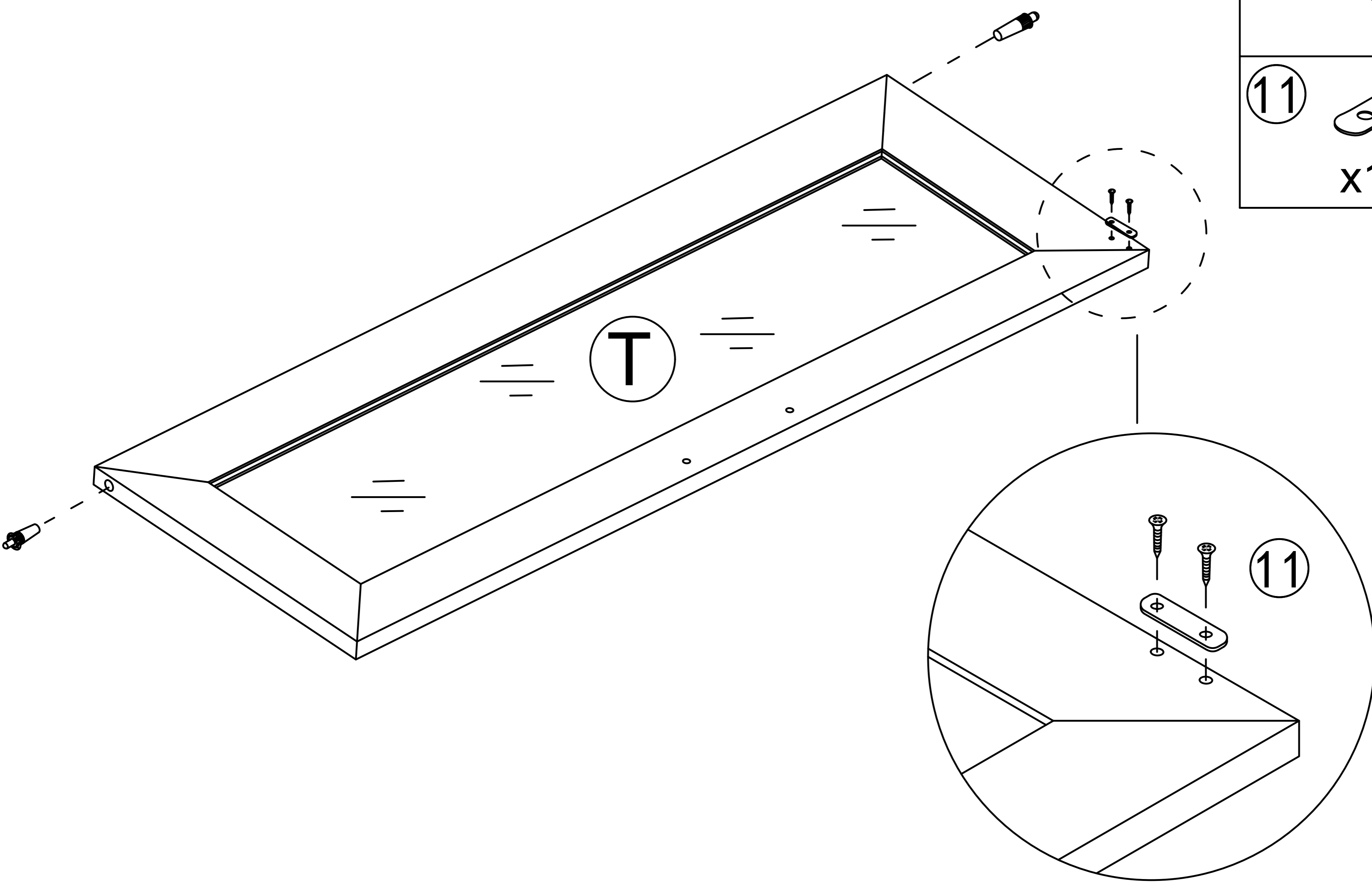
Step 39

- |    |   |   |
|----|---|---|
| 9  |   |   |
|    | x1  | x2  |
| 10 |  | x2  |
| 11 |  |  |
|    | x1  | x2  |

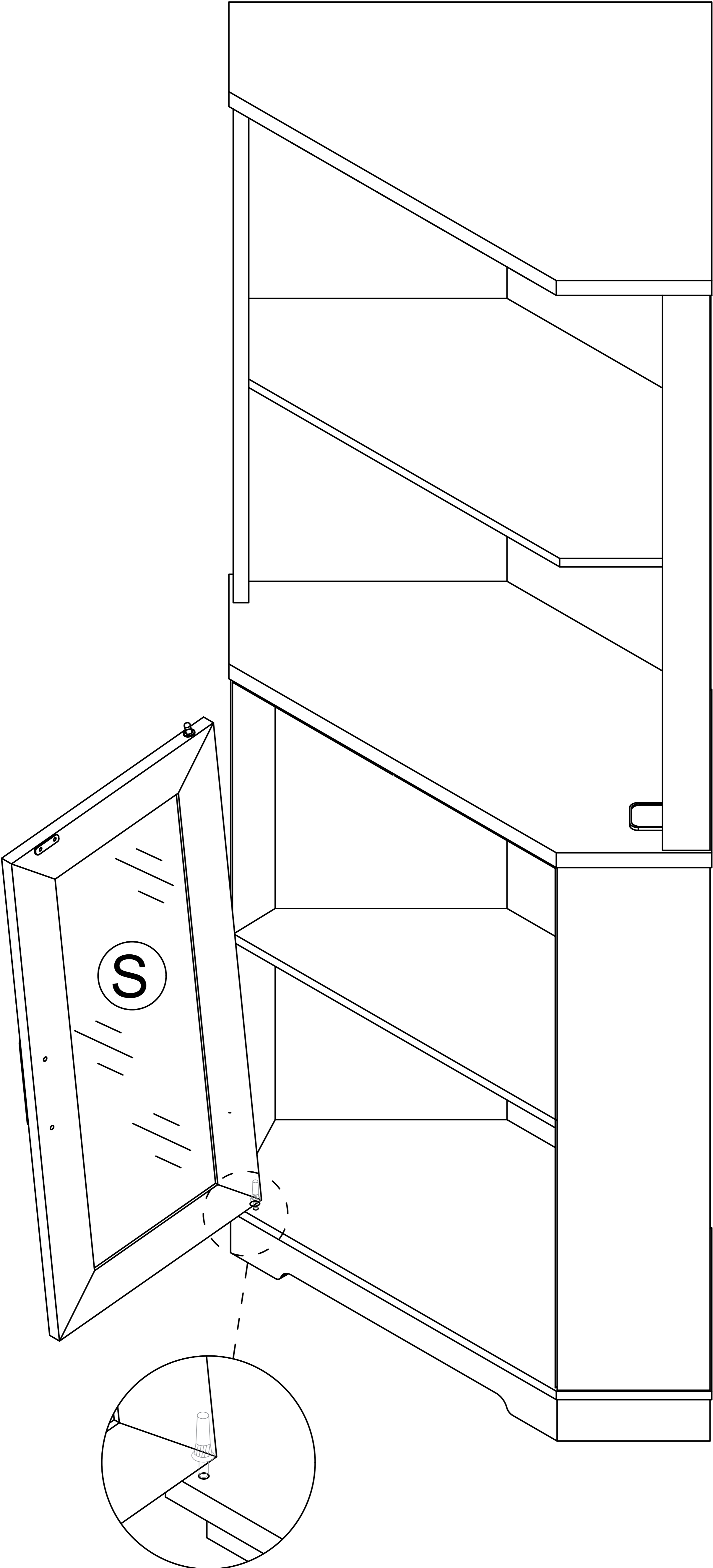


Step 40

- |    |   |   |
|----|---|---|
| 9  |   |   |
|    | x1  | x2  |
| 10 |  | x2  |
| 11 |  |  |
|    | x1  | x2  |

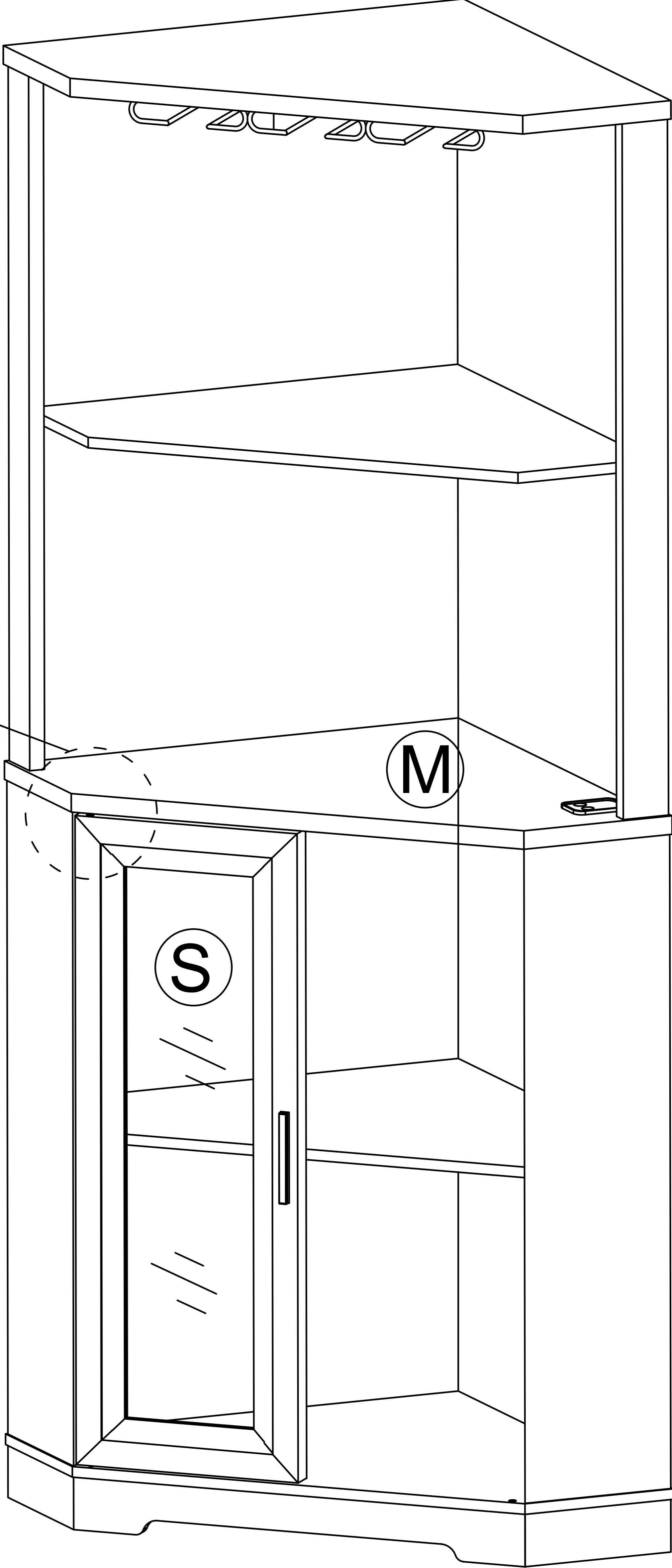


Step 41

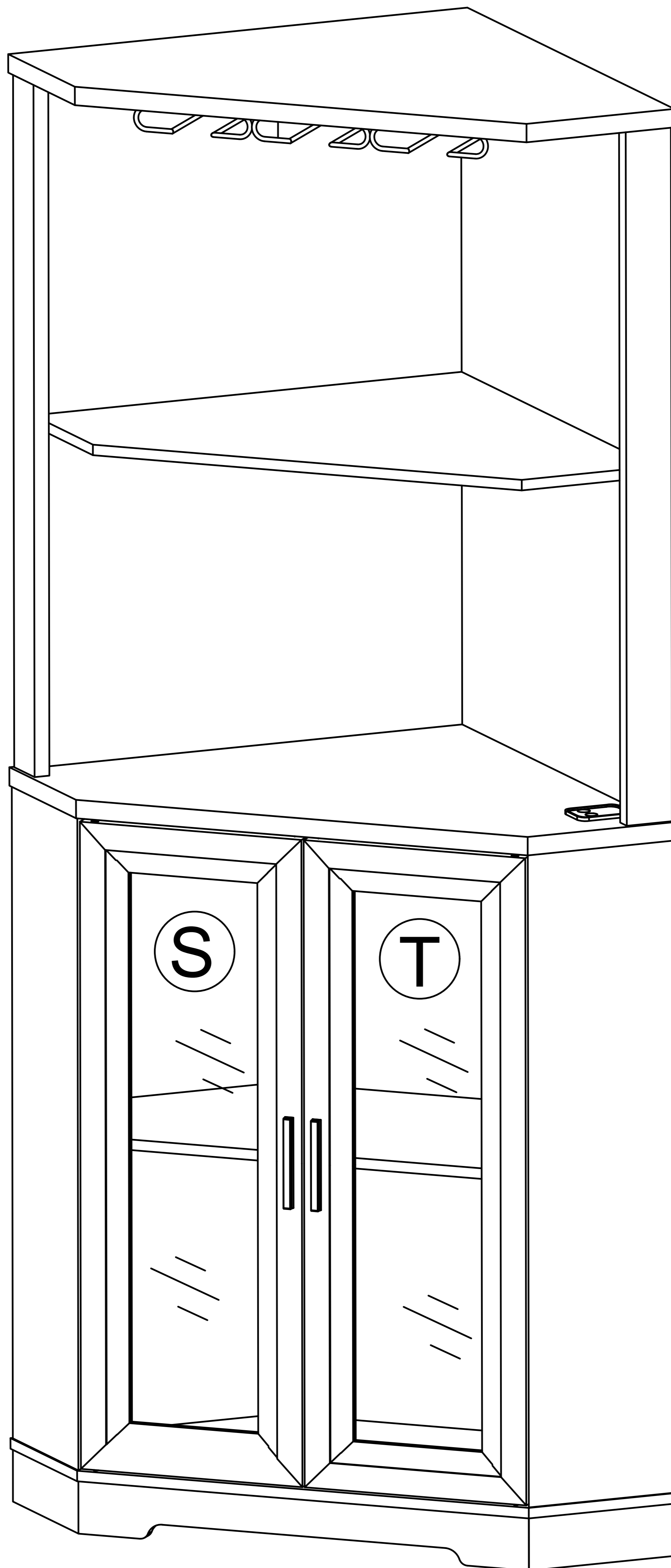


Step 42

Note: Press 8 and put it into the K-plate.

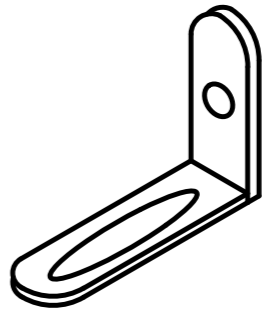
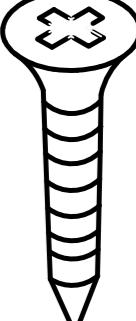
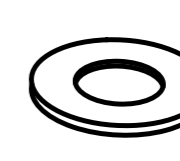


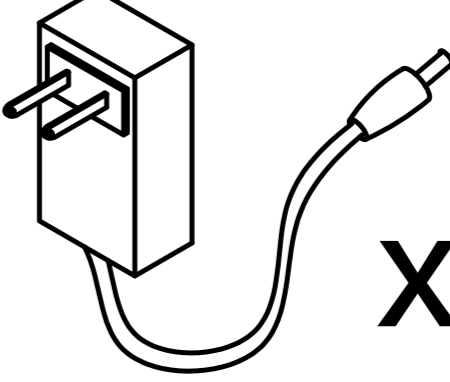
Step 43



The other door is installed in the same way

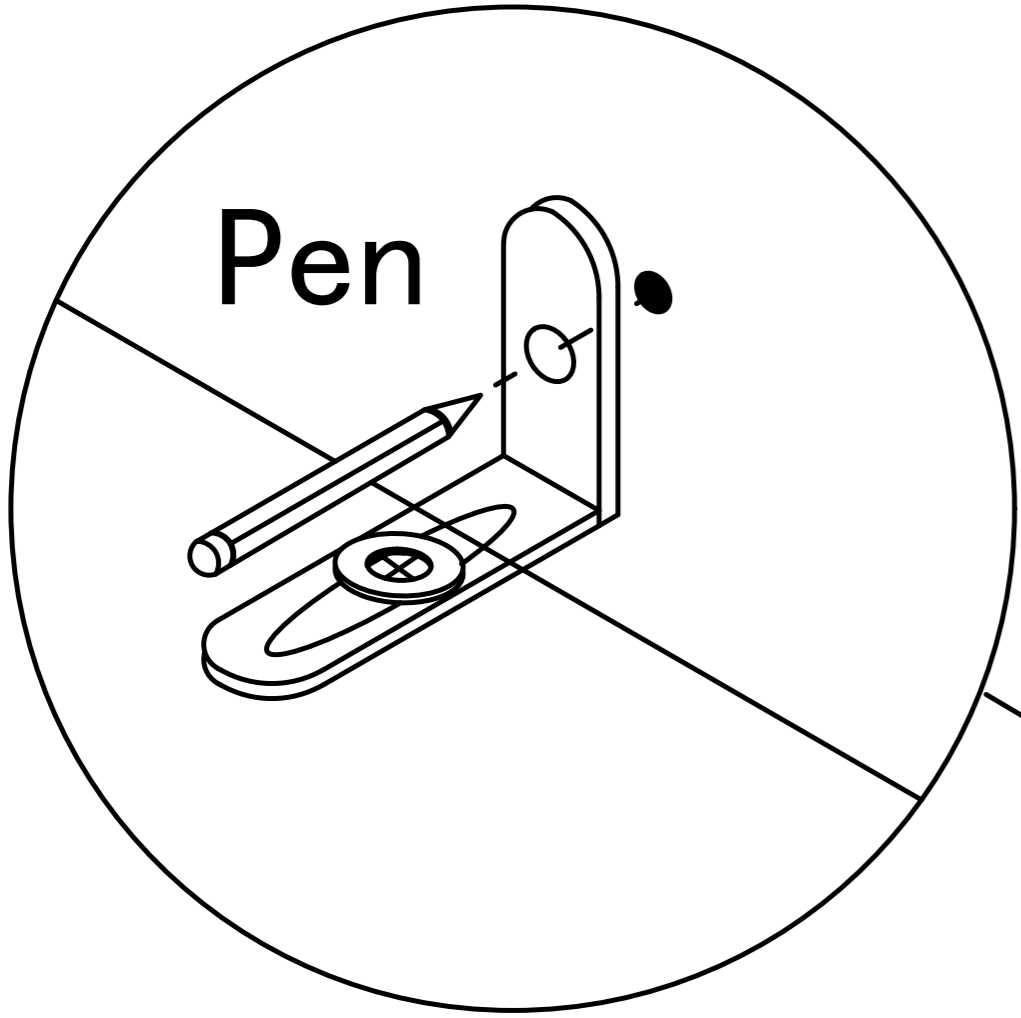
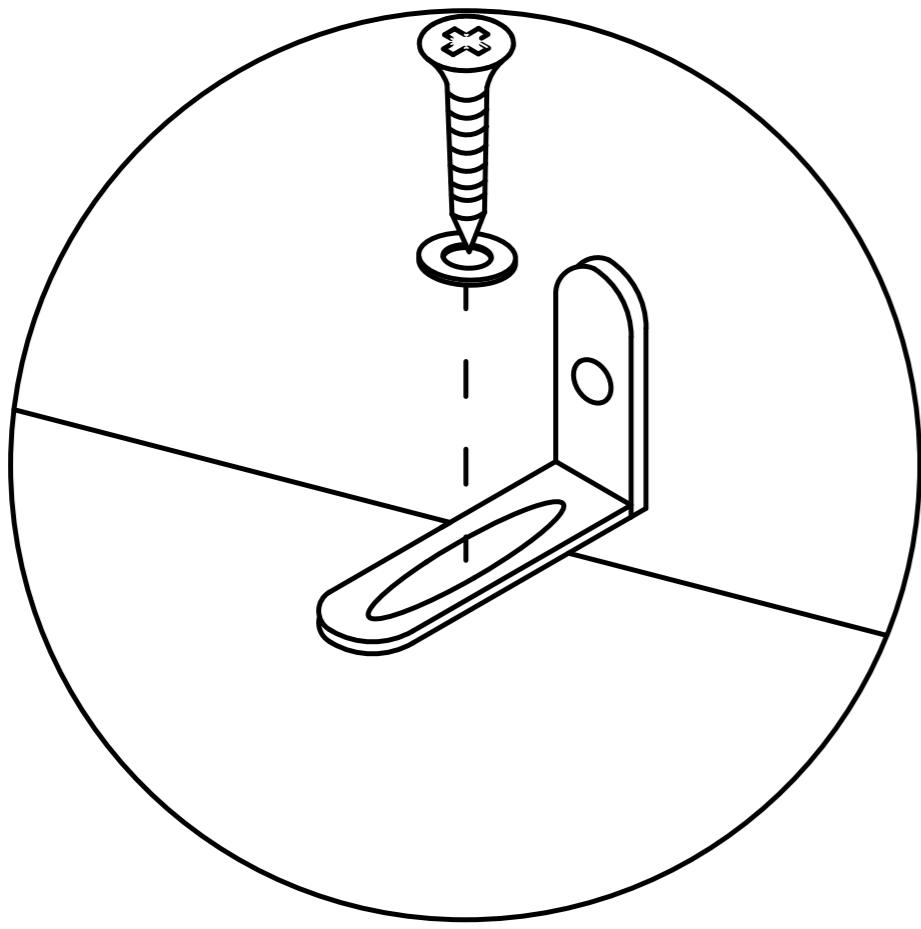
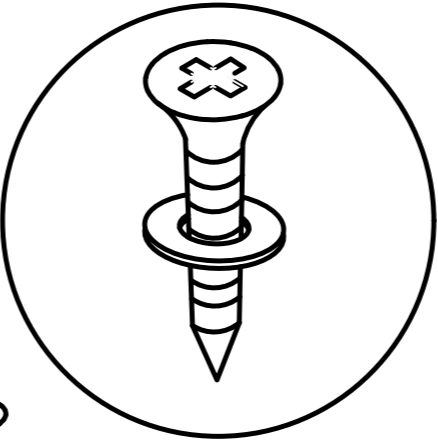
Step 44

- 12  x2  x2  
 x2

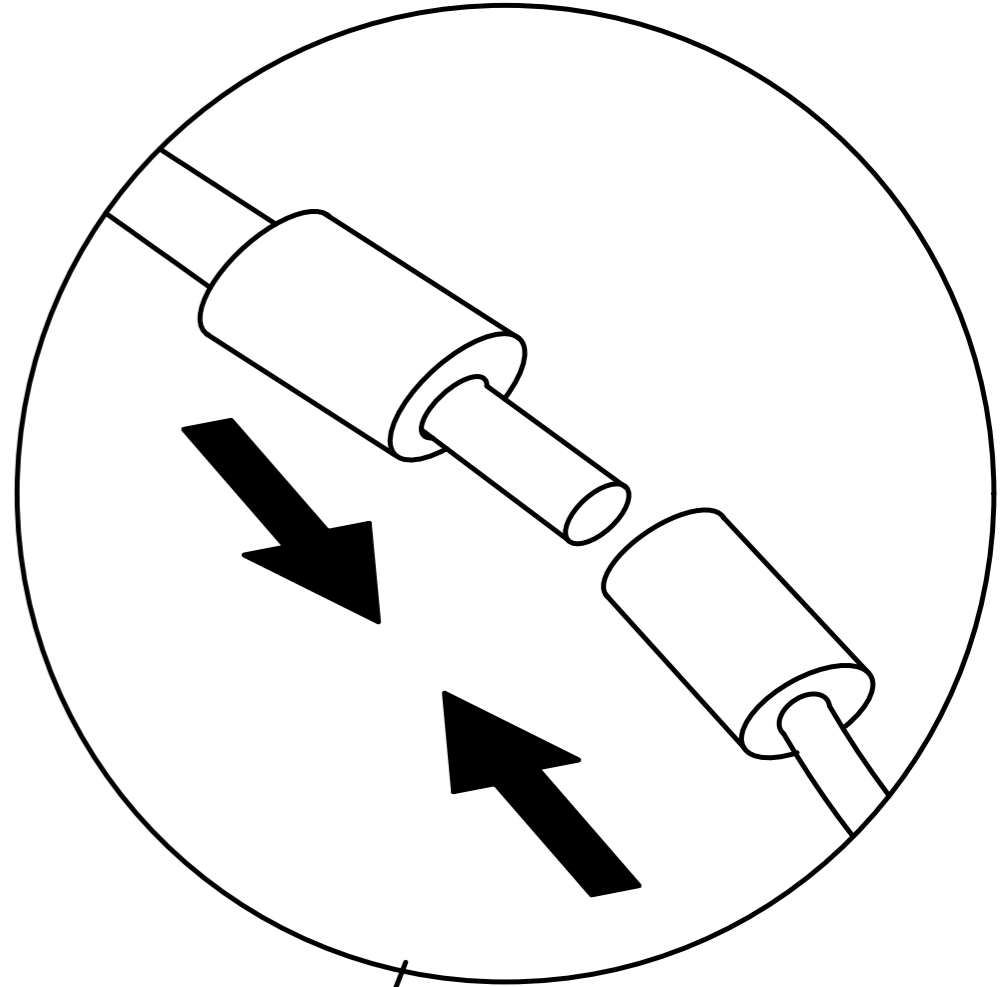
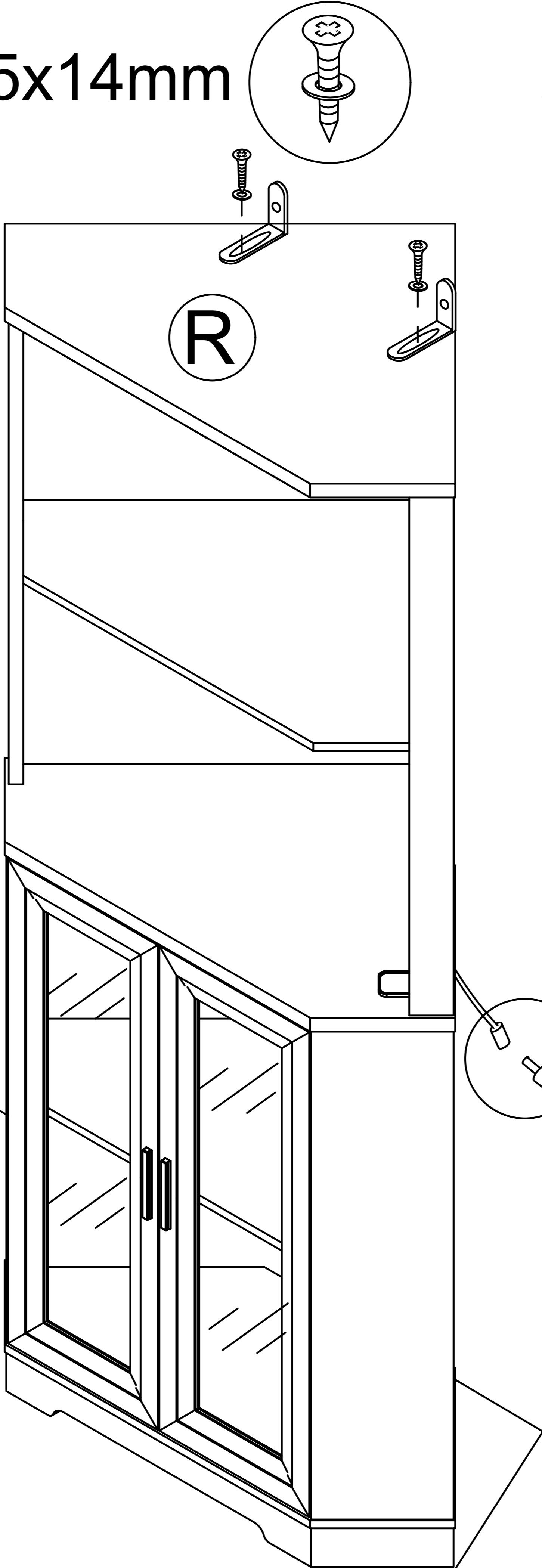
-  x1

Install the anti fall hardware on the cabinet as shown in the picture first

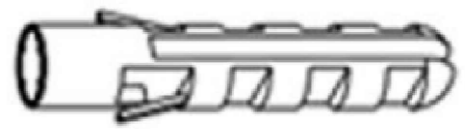
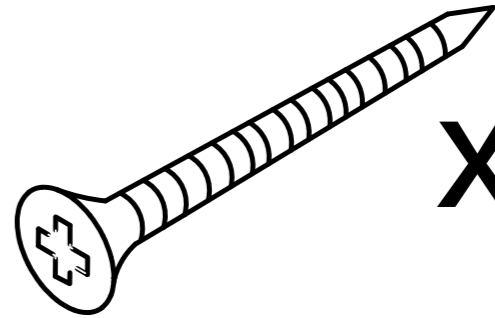
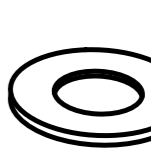
3.5x14mm

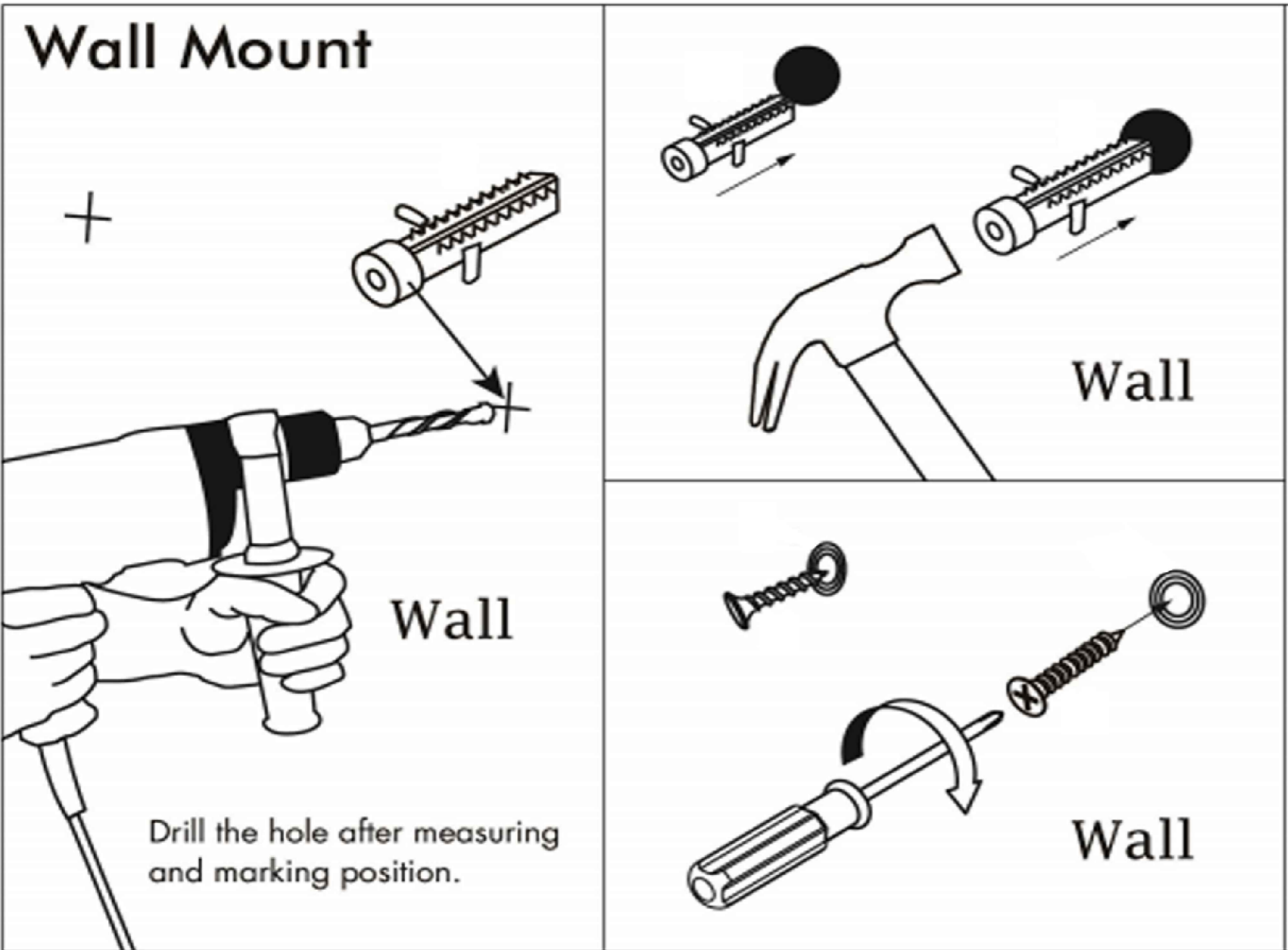


Then mark the wall with a pen through the holes in the anti-fall hardware

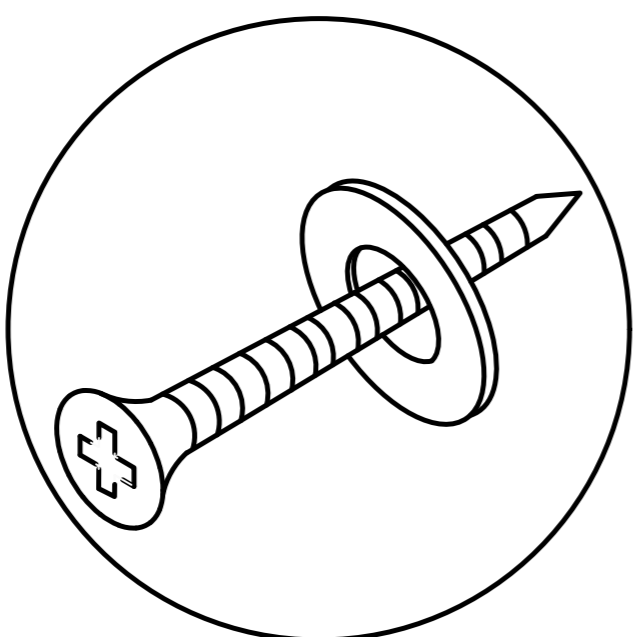
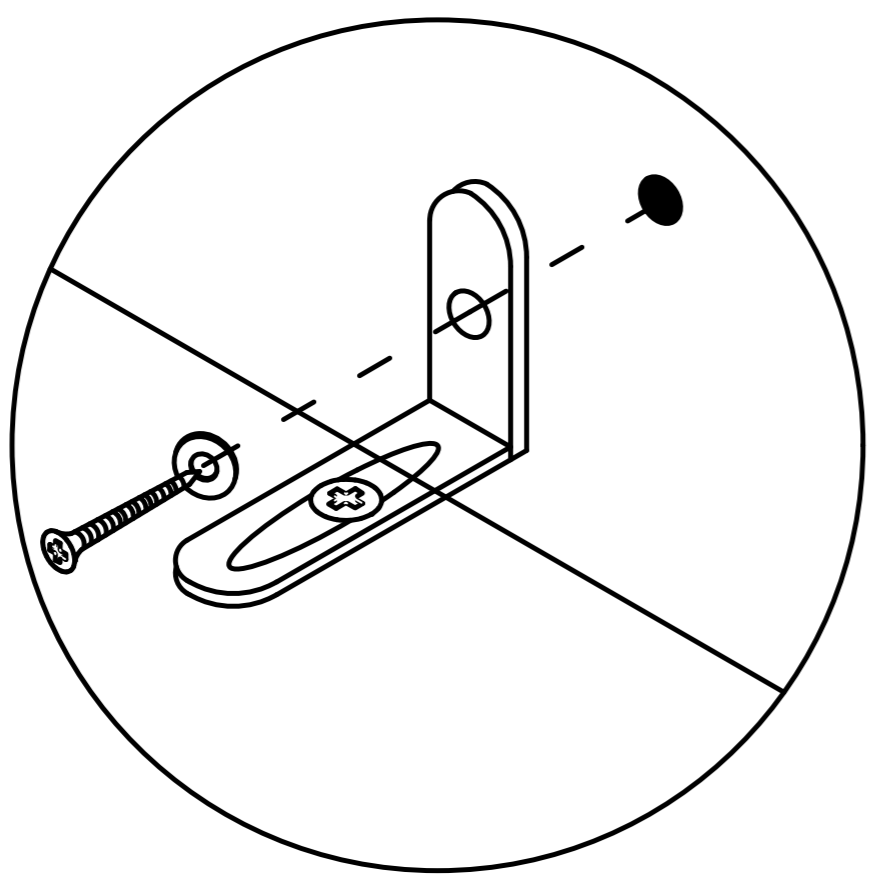


Step 45

- 12  x2
-  x2
-  x2

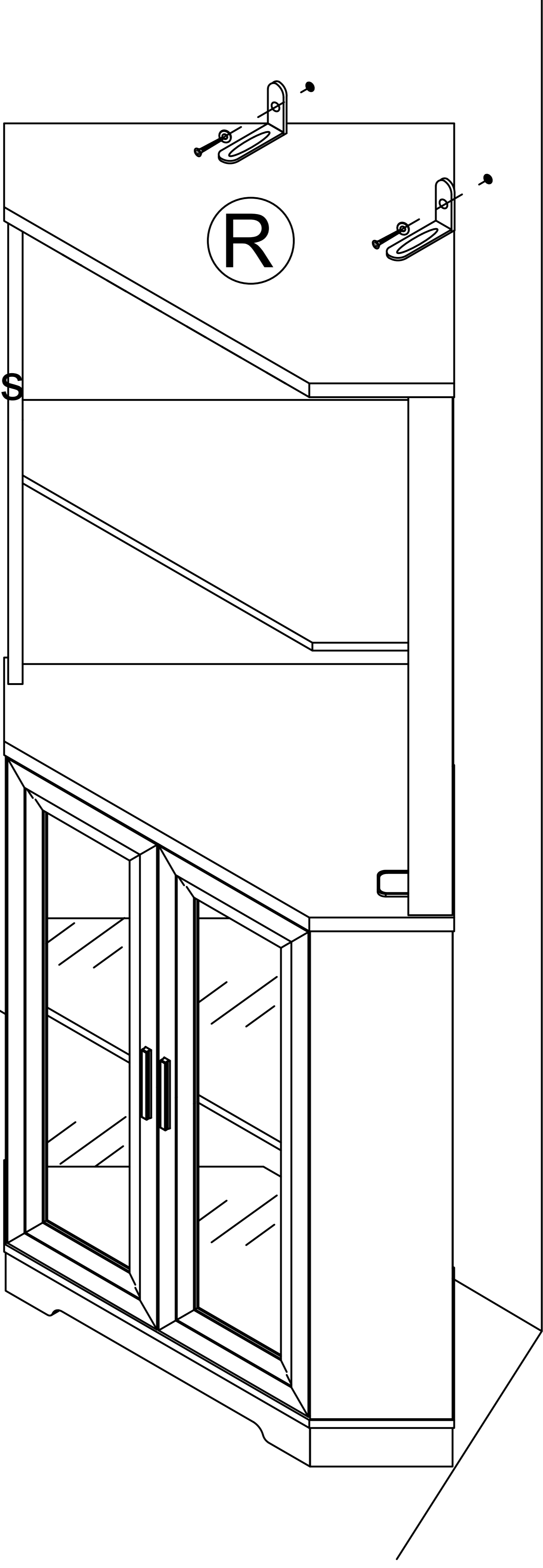


Drill the hole with an electric drill and punch in the colloidal particles



4x45mm

wall Fix the dressing table to the wall



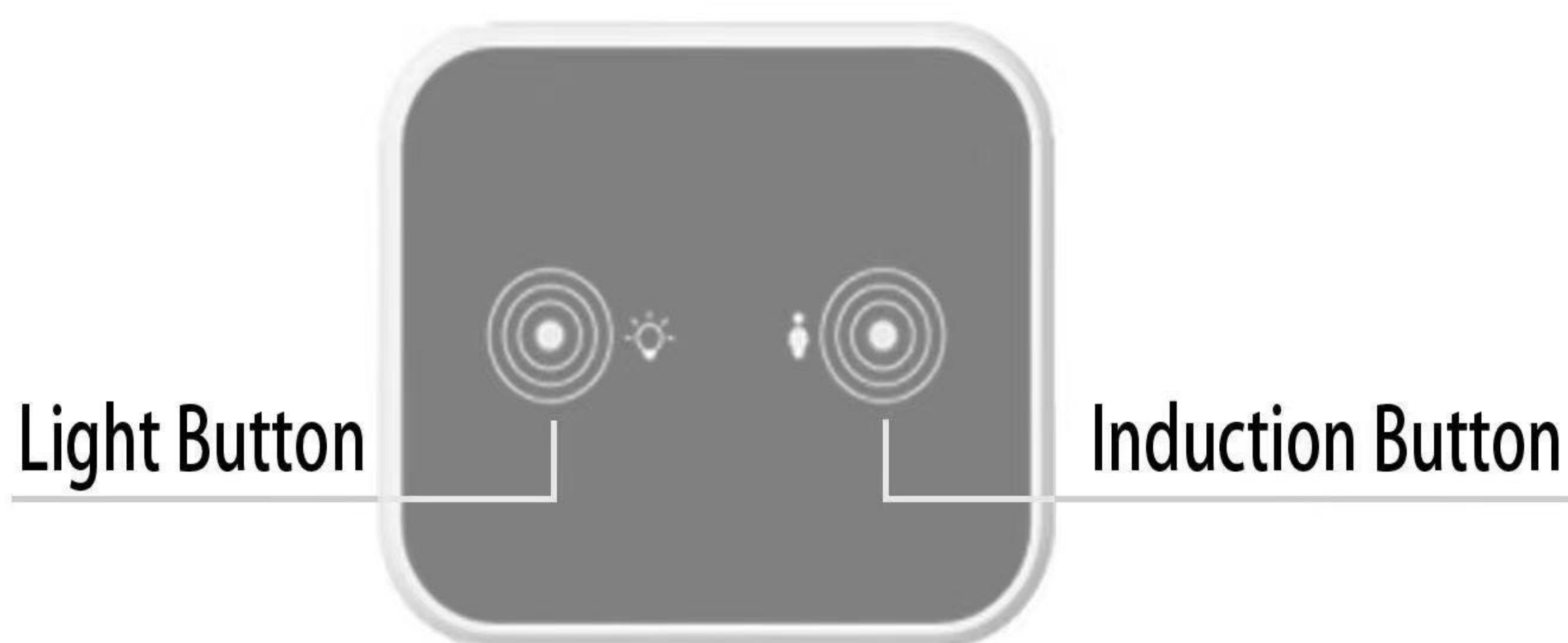
## User's Guide

Thank you for purchasing this product. To use this product, please plug it into a 12V DC power supply. Please use if the product works normally after connecting to power.

## Introduction

The box is an intelligent controller with 2 touch buttons. It can turn ON/OFF the light, change light colors, and adjust the light luminance.

## Product Show



### ATTENTION PLEASE

1. If there is no touch response suddenly, Re-plug the power to reset the touch static electricity.
2. If bubbles appear on the panel, remove the protective film.

## Operation



This touch button is used to turn on/off, change colors, and adjust brightness.

A. Short touch -> lighting on -> short touch -> change light color -> short touch -> change light color -> short touch -> lighting off. B. Long touch -> adjust the luminance



This touch button is used to turn on/off the induction function.

A. Short touch to turn on the induction function. It can auto-turn on the light when people are close to the controller in 1 meters. It can auto power off the light when the body is far away from the controller after 30 seconds.

B. Long touch to turn off the induction function.

C. Note: When you touch the light button to change the light modes, the induction function will automatically turn off. It is best to turn on this function after selecting the light color and adjusting the brightness you want.