

DAY BED ASSEMBLY INSTRUCTIONS

Thank you for purchasing the DAY BED.
Please read the instructions carefully to ensure safe operation of the product.



W2010mm×D965mm×H995mm 3ft SINGLE

COLOUR: WHITE

PLEASE READ this sheet prior to assembly to familiarise yourself with the various stages of construction.

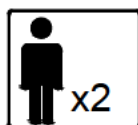
Carefully open the pack supplied and check the contents against the parts and fittings check list. Do not destroy any of the packaging until you are certain that you have all the necessary parts for the assembly.

CAUTION: There are small components used in the construction of this unit. These loose items should be kept away from young children whilst assembling your unit to avoid the danger of choking hazards.

Tools Required



4mm Allen key x 1



1.5 Hour
Set Up

DAY BED ASSEMBLY INSTRUCTIONS

IMPORTANT - READ CAREFULLY - RETAIN THESE INSTRUCTIONS FOR FUTURE REFERENCE.

INFORMATION

- This product is intended for a maximum person's weight of 100kg per side. Do not exceed this weight.
- Due to the size of this product we recommend that it is assembled in the room intended for use.
- When you are ready to start, make sure that you have the right tools, plenty of space and a clean, dry area for assembly.
- Unwrap all packaging materials and place the components on top of the carton box or on a clean floor to prevent it from scratching.
- Check the pack and make sure you have all the parts listed.
- Ensure that this product is fully assembled and secured as illustrated before use.
- Check all screws or bolts are tightened and inspect regularly.
- This product should only be used on firm, level ground.
- Keep small parts out of reach of children.
- Tools are included.

WARNINGS

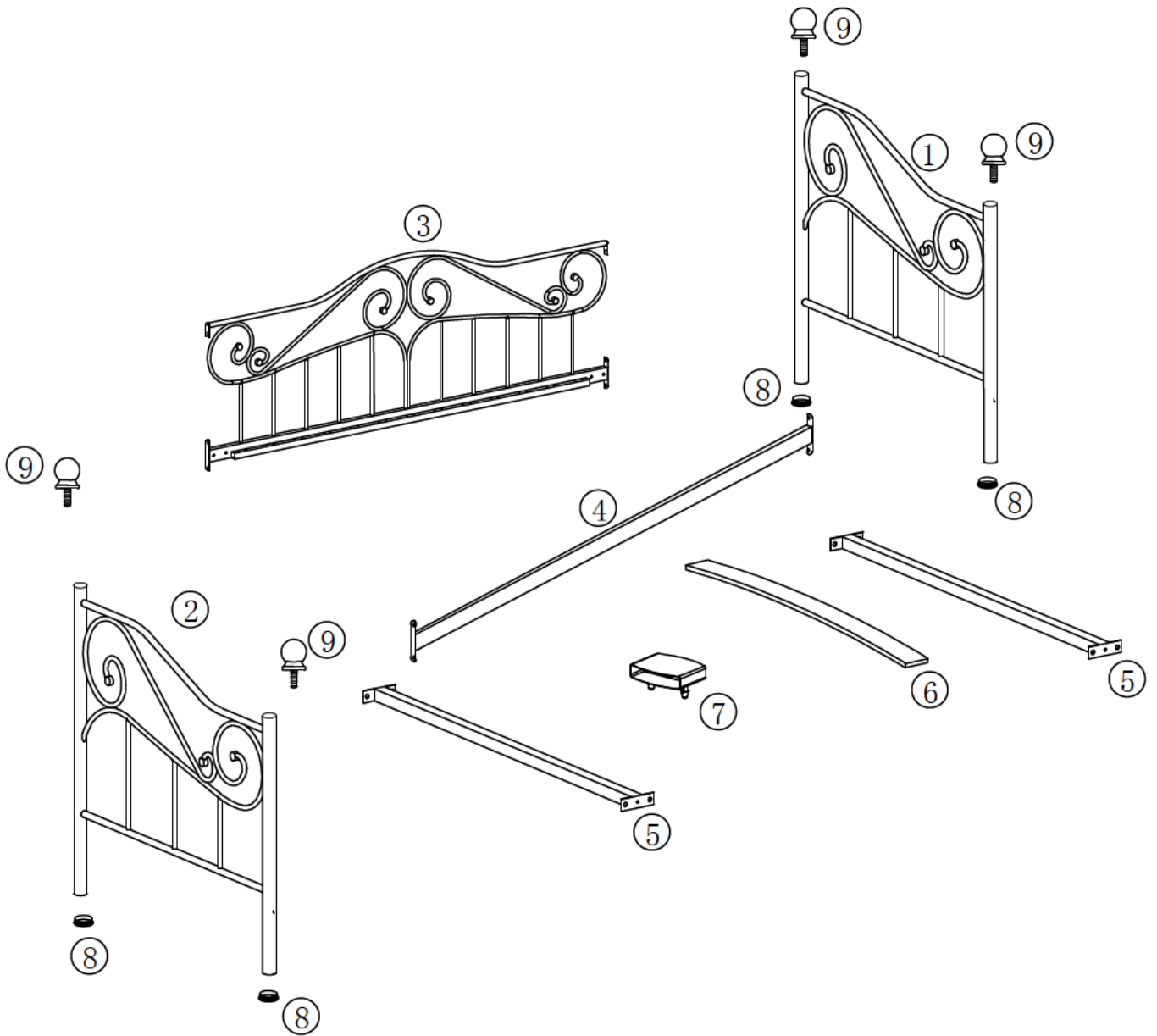
- DO make sure the legs remain in contact with the ground.
- DO keep small parts out of reach of children.
- DO NOT use power tools to construct this product.
- DO NOT tighten screws until fully assembled.
- DO NOT over tighten screws or bolts.
- DO NOT use this product if parts are missing, damaged or worn.
- DO NOT stand on the product.

CARE INFORMATION

- Never use scourers, abrasives or chemical cleaners.
- To clean wipe with a sponge and warm soapy water. Do not use solvent based cleaners or detergents as they can bleach or damage the product.










DAY BED ASSEMBLY INSTRUCTIONS

Please check the pack contents before assembling the product. If any components are missing, please contact your retailer. The fittings pack contains small items that should be kept away from small children.



DAY BED ASSEMBLY INSTRUCTIONS

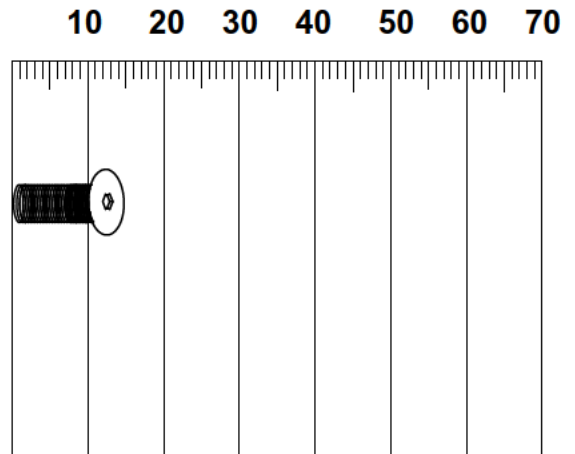
Parts

| | | |
|---|---|---|
| <p>1</p>  | <p>2</p>  | <p>3</p>  |
| <p>Description:Right Side Panel Qty:1PC Dimension: 963*910*38MM</p> | <p>Description:Left Side Panel Qty:1PC Dimension: 963*910*38MM</p> | <p>Description:Back Panel Qty:1PC Dimension: 1920*510*27MM</p> |
| <p>4</p>  | <p>5</p>  | <p>6</p>  |
| <p>Description:Cross Rail Qty:1PC Dimension: 1920*120*27MM</p> | <p>Description:End Rail Qty:2PCS Dimension: 900*80*30MM</p> | <p>Description:Wooden Slat Qty:13PCS Dimension: 895*55*10MM</p> |
| <p>7</p>  | <p>8</p>  | <p>9</p>  |
| <p>Description:Single Plastic Cap Qty:26PCS Dimension: 57*60*13MM</p> | <p>Description:Stopper Qty:4PCS Dimension: Ø38*15MM</p> | <p>Description: Knobs Qty:4PCS Dimension: Ø60*100MM</p> |

DAY BED ASSEMBLY INSTRUCTIONS

Fixings (to scale)

| Ref | Dimensions | Qty |
|-----|--------------|-----|
| A | Bolt-M6x15MM | 18 |



(Not to scale)

| | | |
|---|---------------|---|
| B | 4mm Allen Key | 1 |
|---|---------------|---|



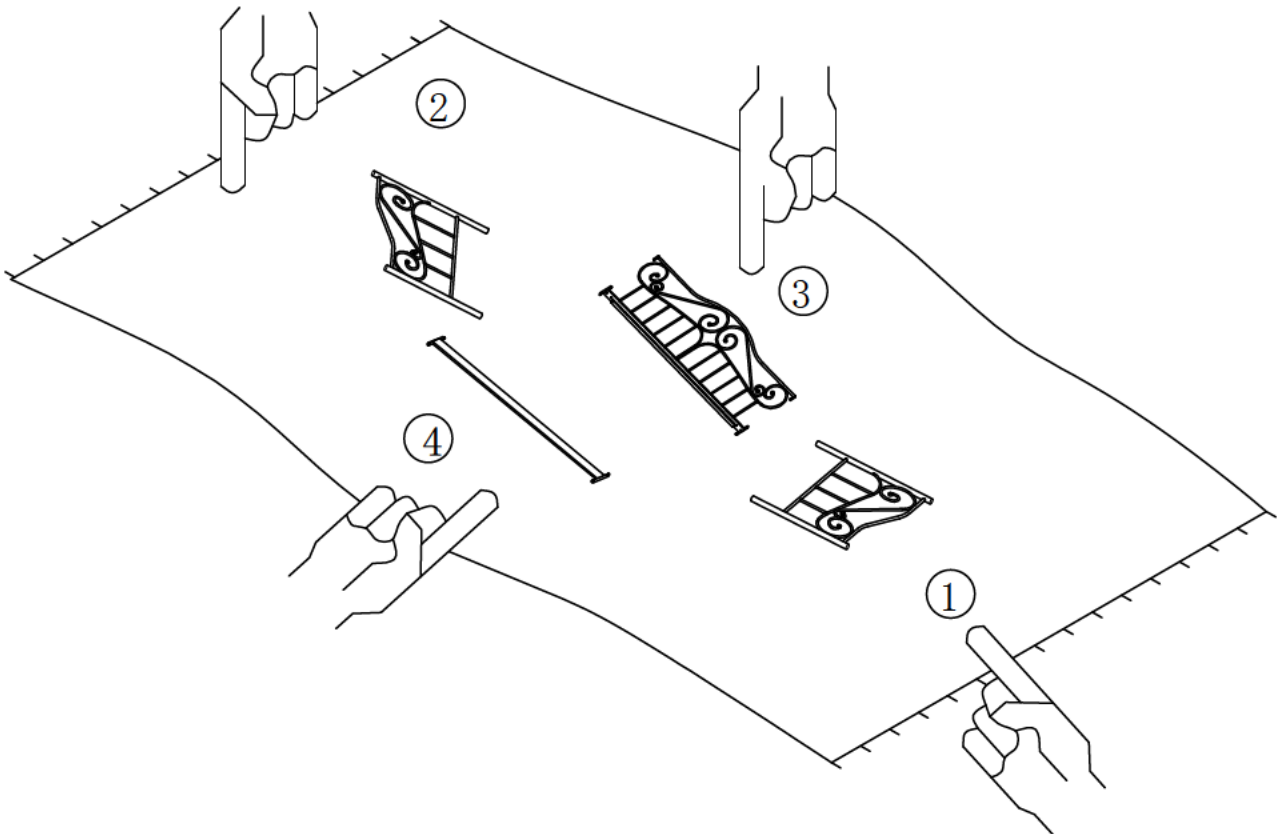
CAUTION: There are many small components used in the construction of this product. Please keep these components away from young children whilst assembling this product .

If you keep the fittings in a bowl during assembly you will be less likely to lose them!

DAY BED ASSEMBLY INSTRUCTIONS

Layout Parts on Soft Surface

Lay out all 4 sides on a soft surface i.e. Rug, Carpet or Packaging Carton.

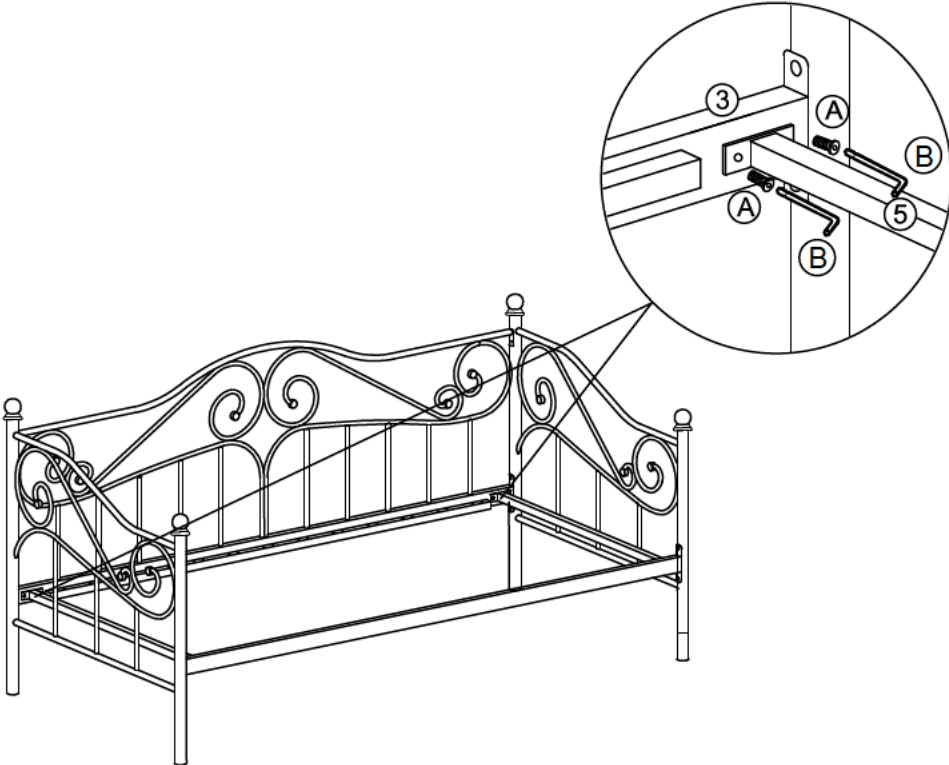


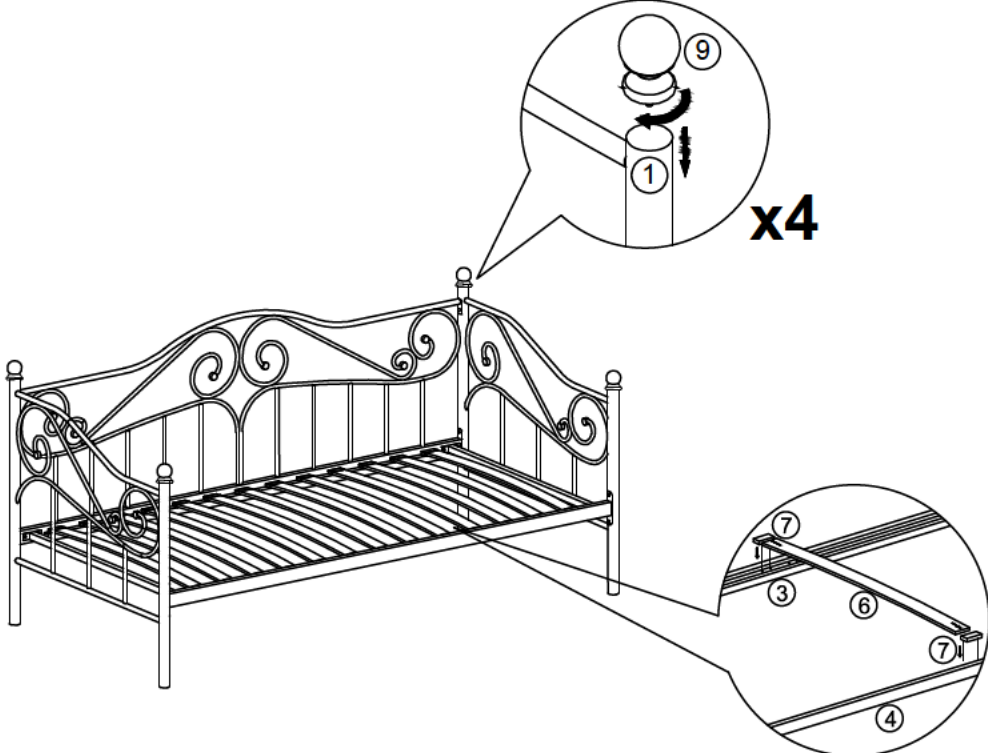
DAY BED ASSEMBLY INSTRUCTIONS

| Step1 | Parts Required |
|-------|---|
| | <ul style="list-style-type: none"> ① Right Side Panel x1 ② Left Side Panel x1 ⑧ Stopper x4 |

| Step2 | Parts Required |
|-------|--|
| | <ul style="list-style-type: none"> ① Right Side Panel x1 ② Left Side Panel x1 ③ Back Panel x1 ④ Cross Rail x1 Ⓐ 15mm M6 Bolt x10 Ⓑ 4mm Allen key |

DAY BED ASSEMBLY INSTRUCTIONS

| Step3 | Parts Required |
|---|---|
|  | <ul style="list-style-type: none"> ③ Back Panel x1 ④ Cross Rail x1 ⑤ End Rail x2 Ⓐ 15mm M6 Bolt x8 Ⓑ 4mm Allen key |

| Step4 | Parts Required |
|--|--|
|  | <ul style="list-style-type: none"> ① Right Side Panel x1 ② Left Side Panel x1 ③ Back Panel x1 ④ Cross Rail x1 ⑥ Wooden Slat x13 ⑦ Single Plastic Cap x26 ⑨ Knobs x4 |

DAY BED ASSEMBLY INSTRUCTIONS

COMPLETE ASSEMBLY

Your MADISON DAY BED is now completely assembled. Periodically check to ensure that the components are in their proper position, free from damage. Also, make sure the connectors are tight and secure.



Keep instructions for future reference

