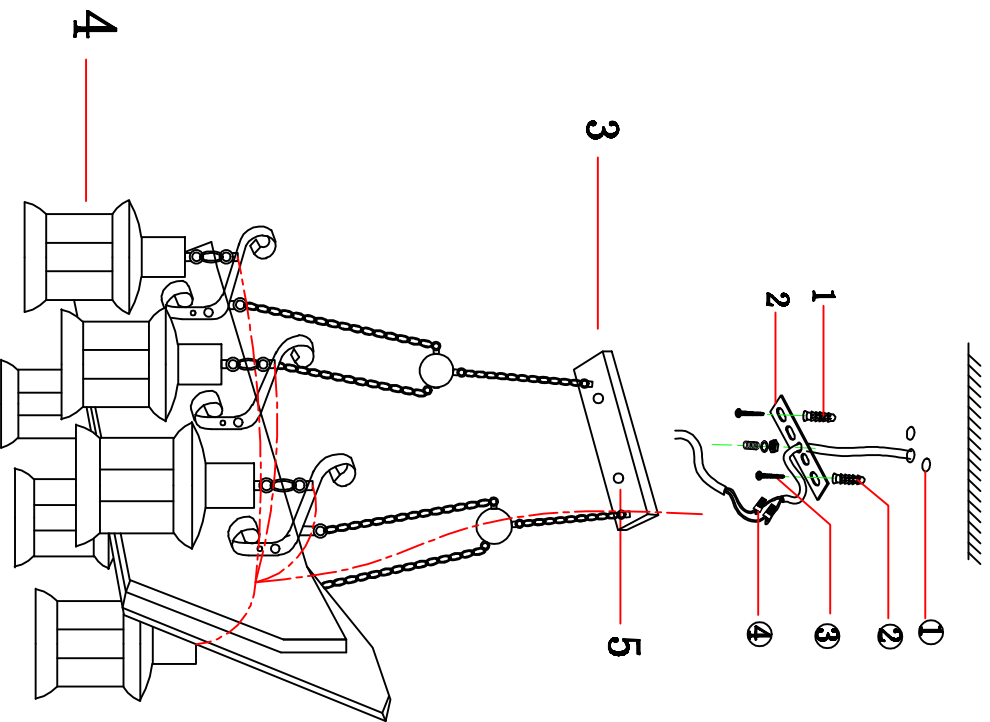


# INSTALLATION



## Installation:

- ① Drill a hole in the ceiling.
- ② Insert the expansion bolt in the ceiling.
- ③ Mount the crisibar by screws.
- ④ Connect the cable.
- ⑤ Mount the bracket.
- ⑥ Put the lamp shade and light source.

## Cautions:

- ❖ Should be installed by professional person
- ❖ During the cleaning and installation remember to cut the power off
- ❖ Keep the lamps away from corrosive chemical and air such as acid and alkali.
- ❖ Do not wash it with water, but wipe it clean with a soft cloth.

## Accessory List

No	Part Name	Photo	QTY
1	Screw		1
2	hanging board		1
3	Light Source		1
4	The lampshade		6

**Ceiling Lamp**  
100-240V  
50Hz/60Hz  
MAX: 60W

