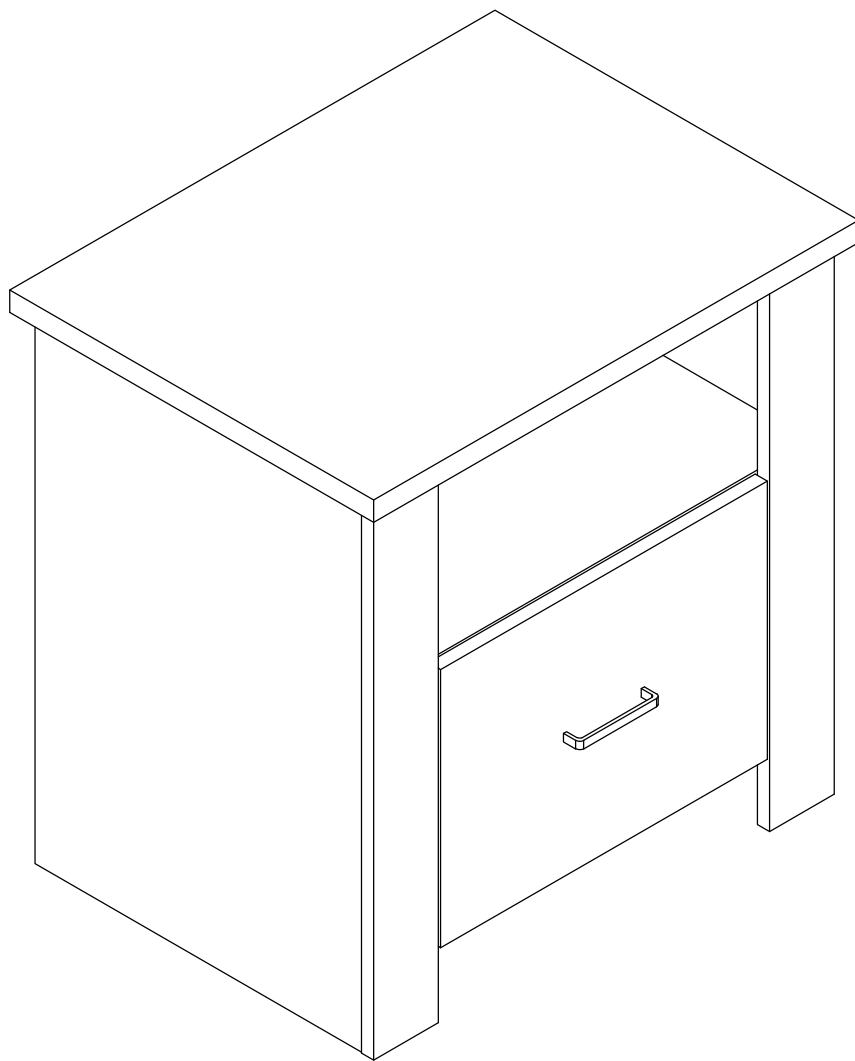
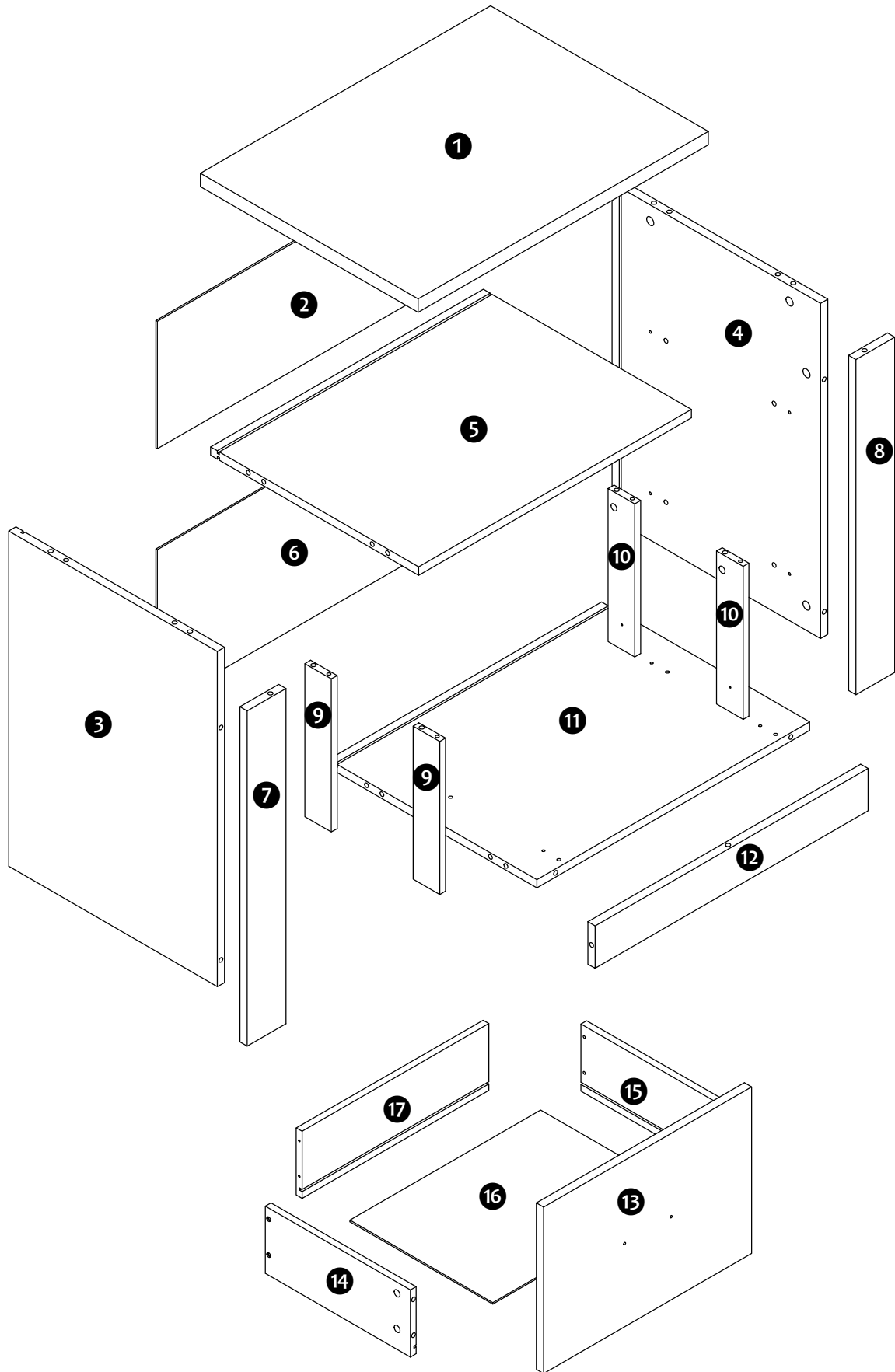


SKU: SF001058



# ASSEMBLY INSTRUCTIONS



# Trouble Shooting

Missing/Damaged pieces/  
Wrong size and installation issues



Contact us with your problem, pic,  
number and qty to the "Contact seller"  
button in the detail page of your order



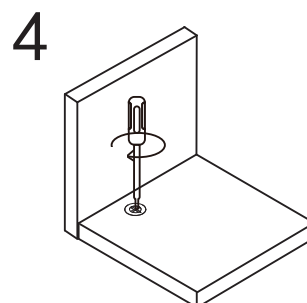
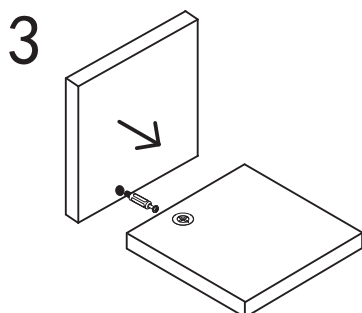
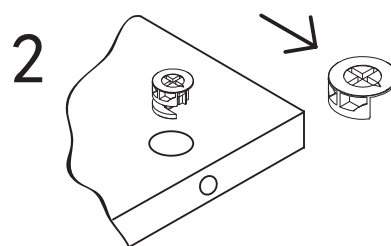
Respond with 24 hours to solve issue

# Before You Start

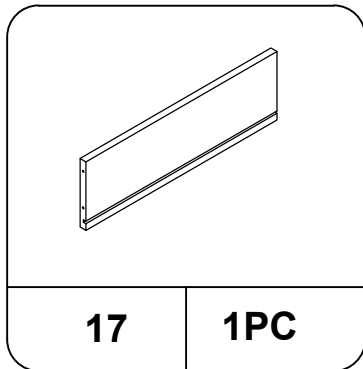
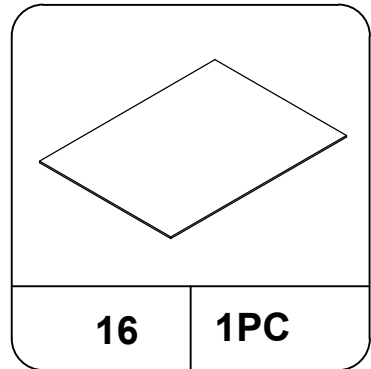
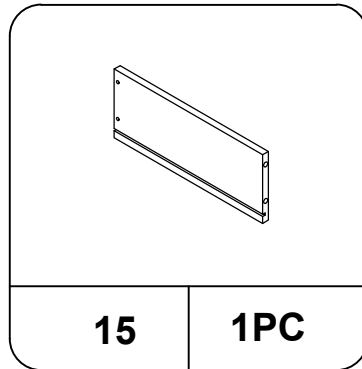
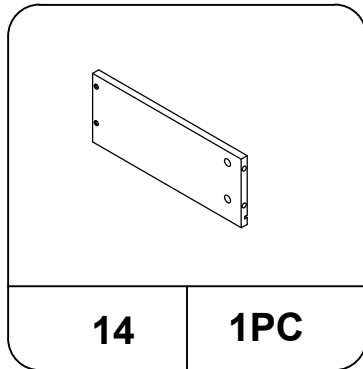
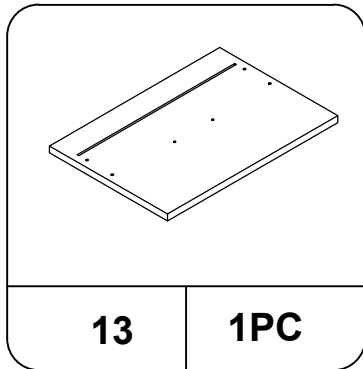
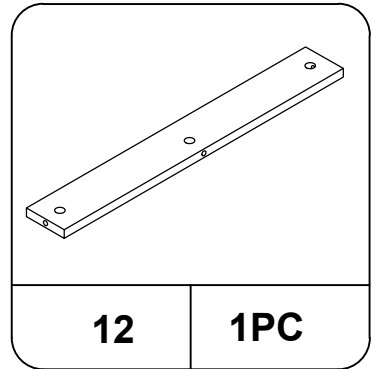
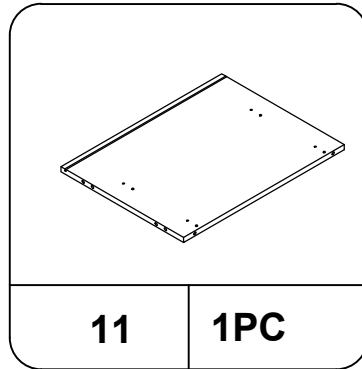
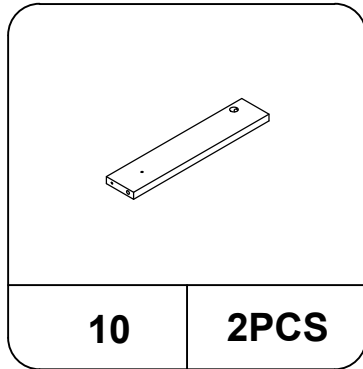
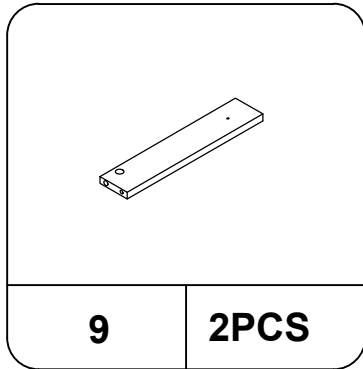
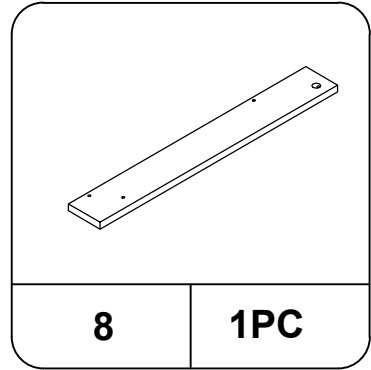
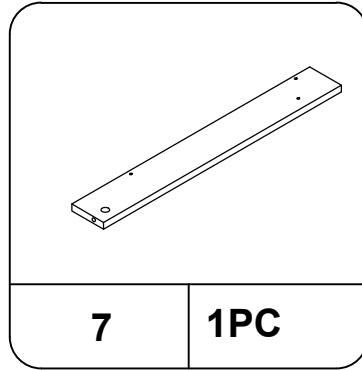
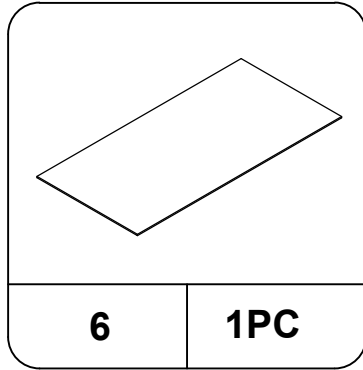
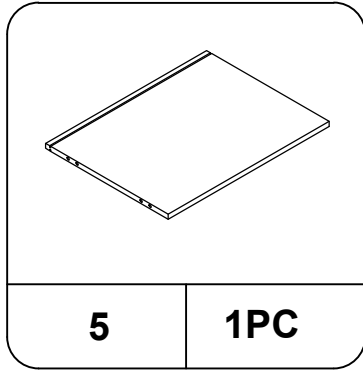
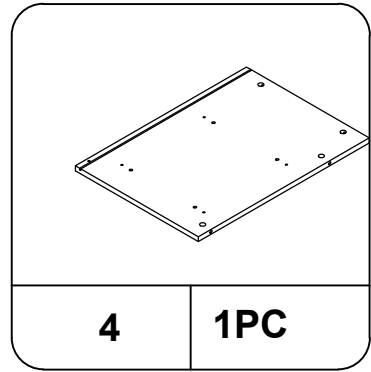
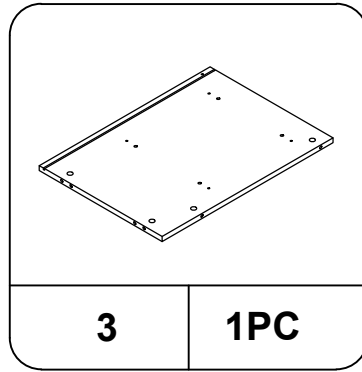
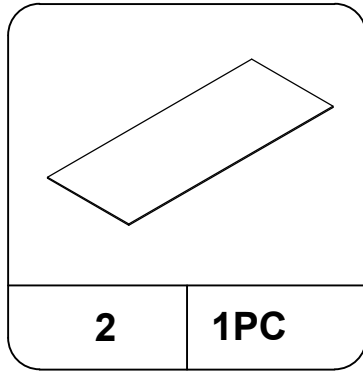
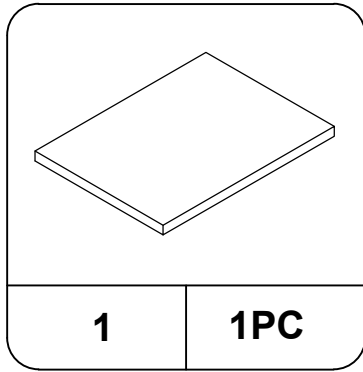
1. Read through each step carefully and follow the proper order
2. Separate and count all your parts and hardware
3. Give yourself enough room for the assembly process
4. Caution: If using a power drill or power screwdriver for screwing, please be aware to slow down and stop when screw is tight. Failure to do so may result in stripping the screw

## Cam Lock Fastening System

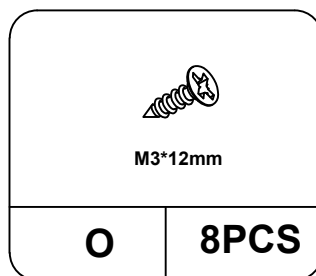
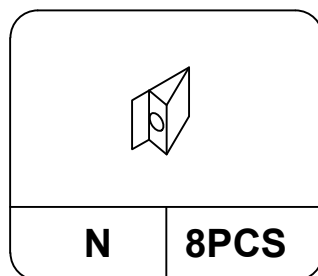
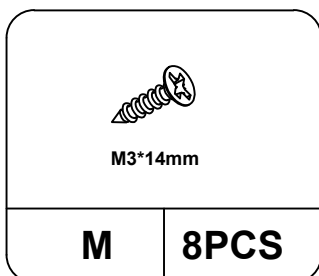
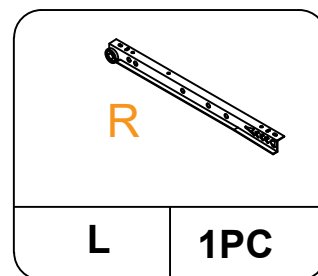
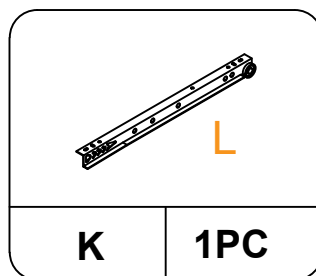
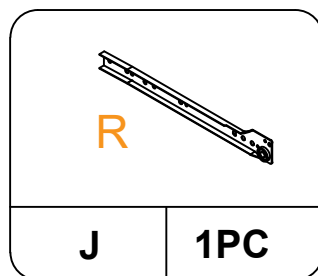
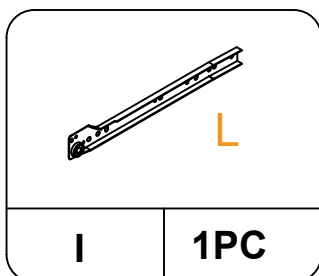
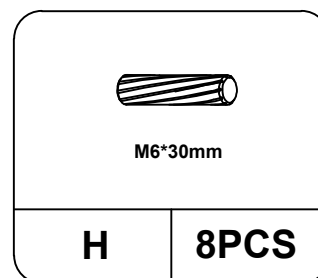
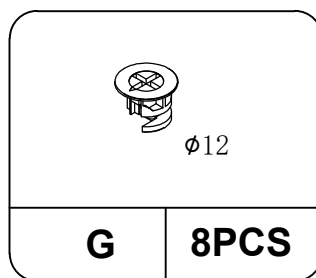
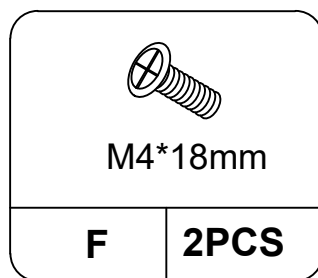
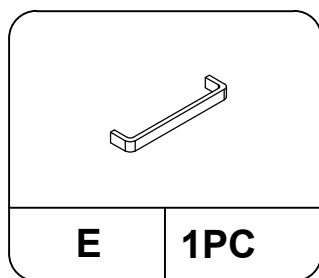
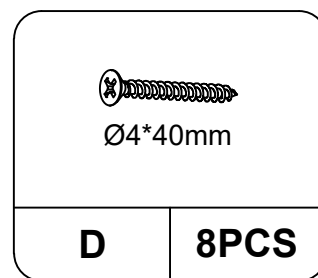
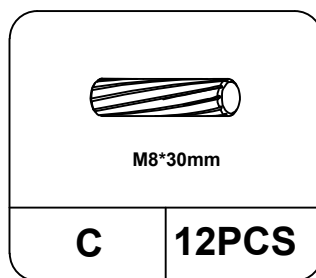
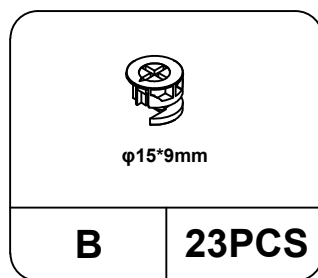
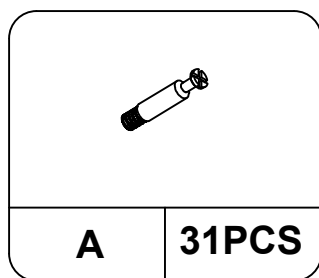
This Cam Lock Fastening System will be used throughout the assembly process



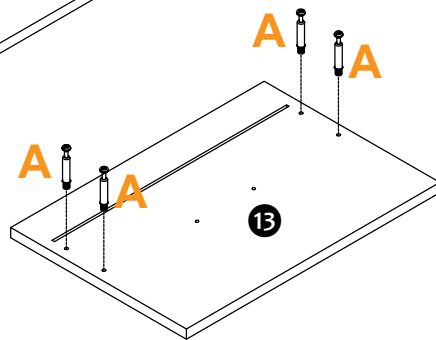
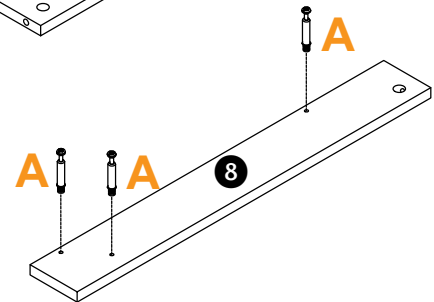
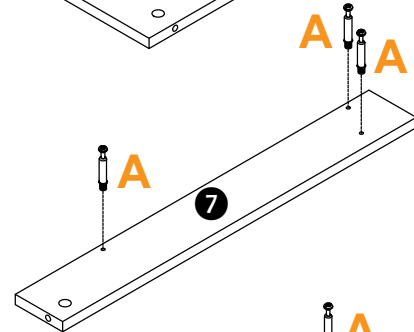
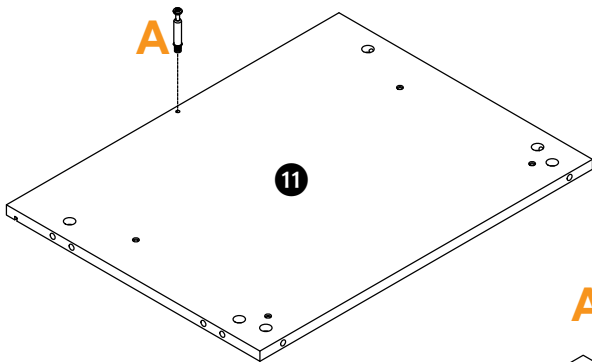
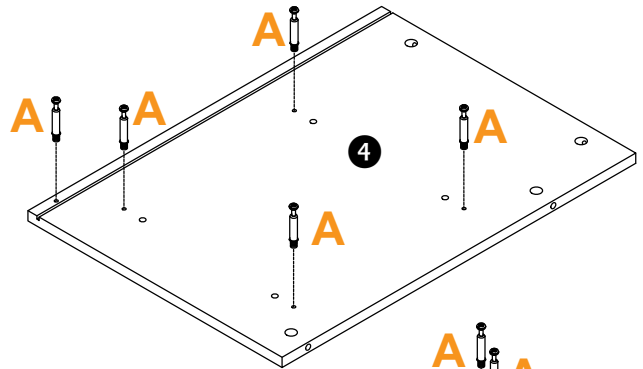
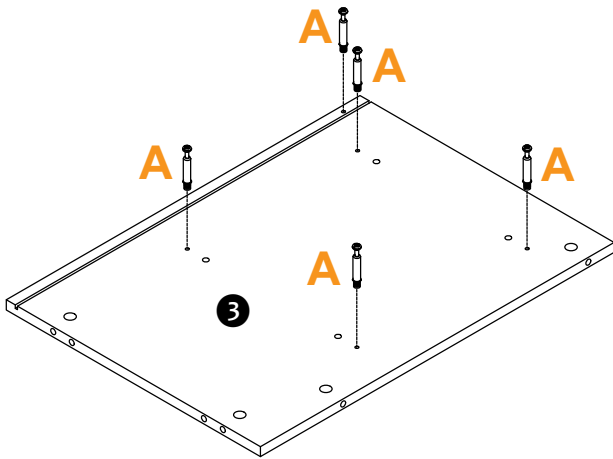
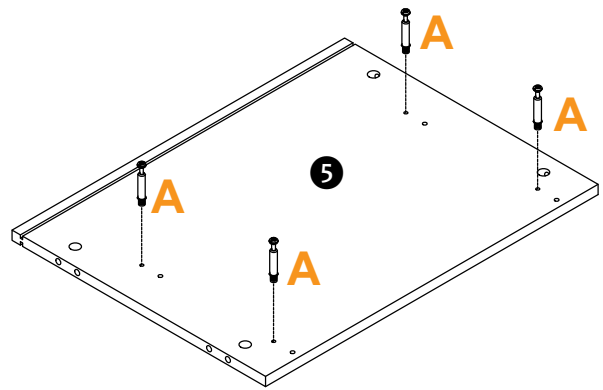
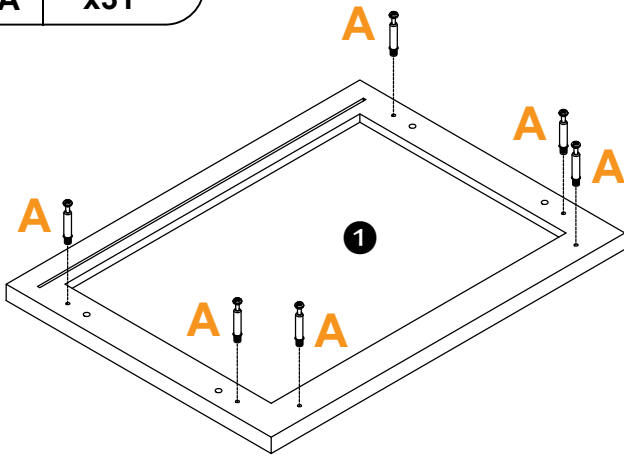
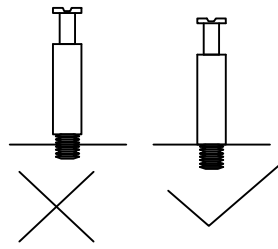
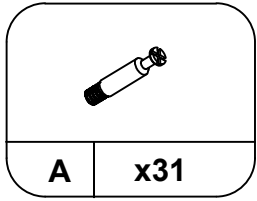
# Parts List



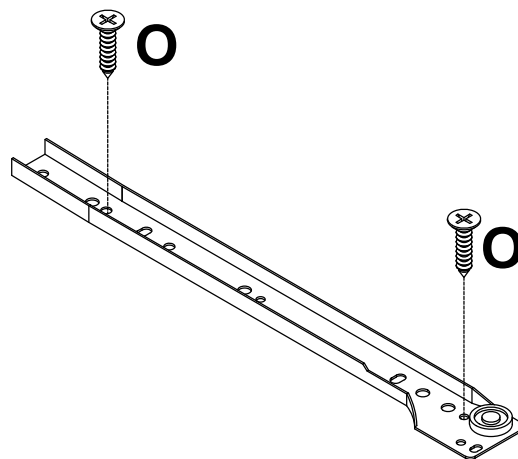
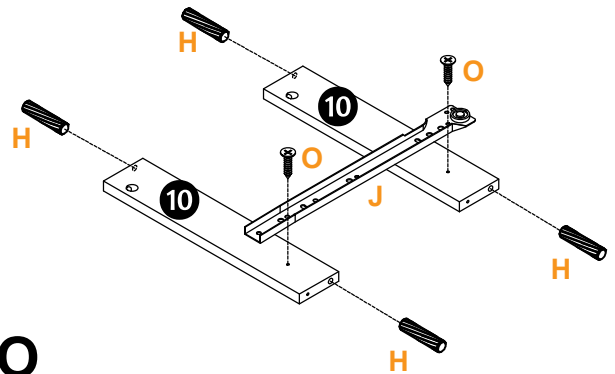
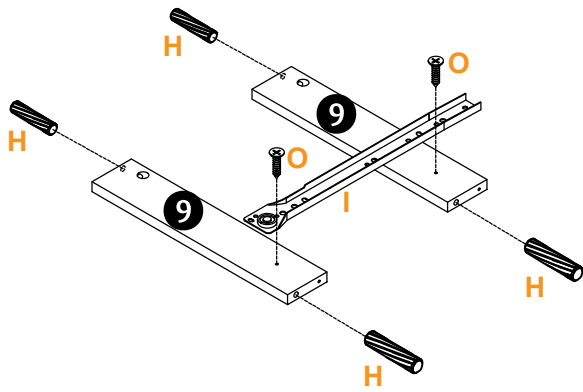
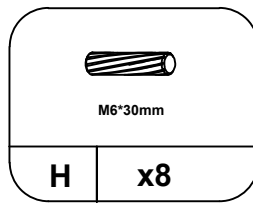
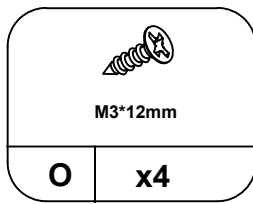
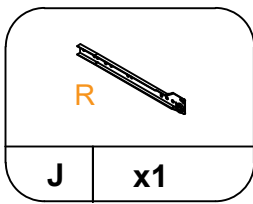
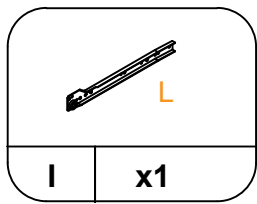
# Hardware List



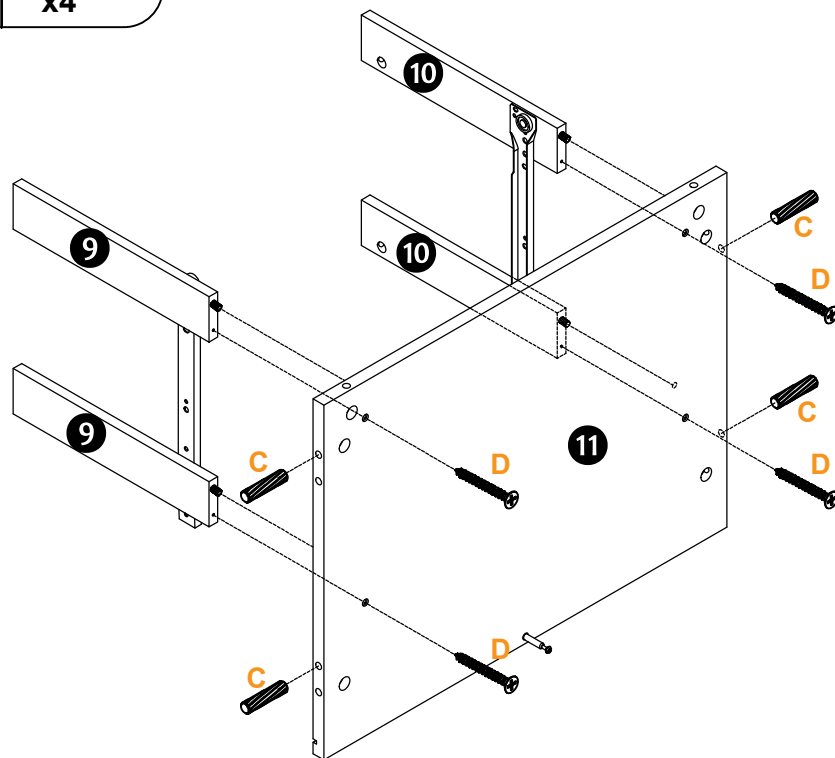
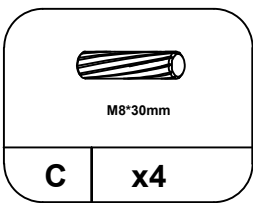
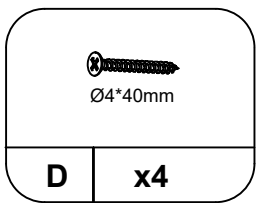
# STEP 1



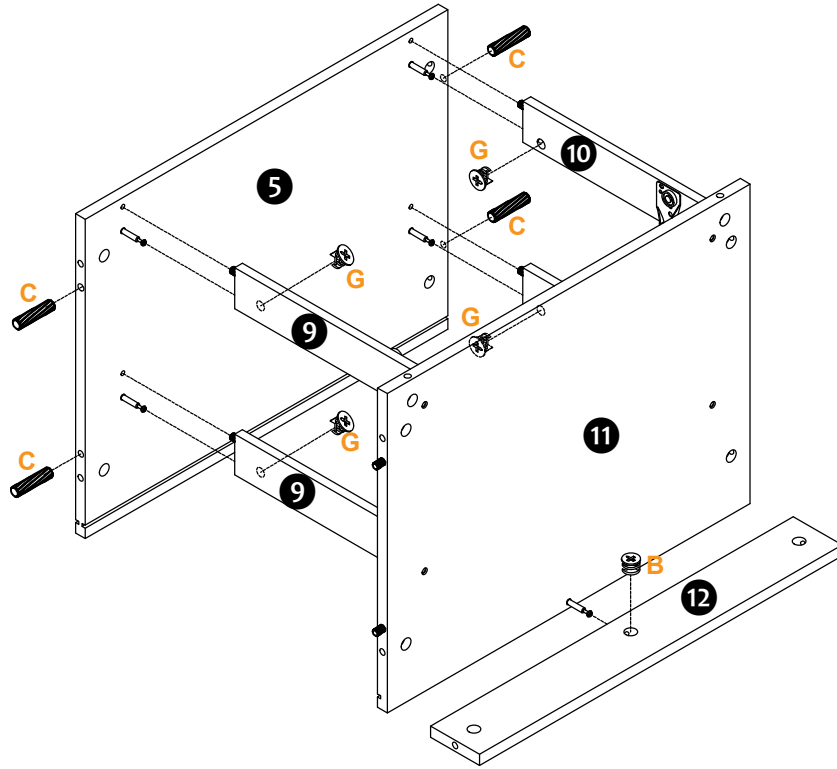
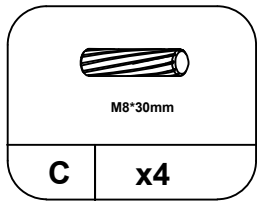
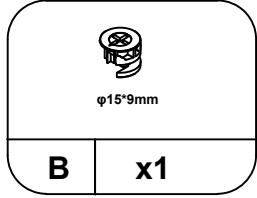
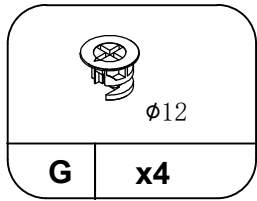
# STEP 2



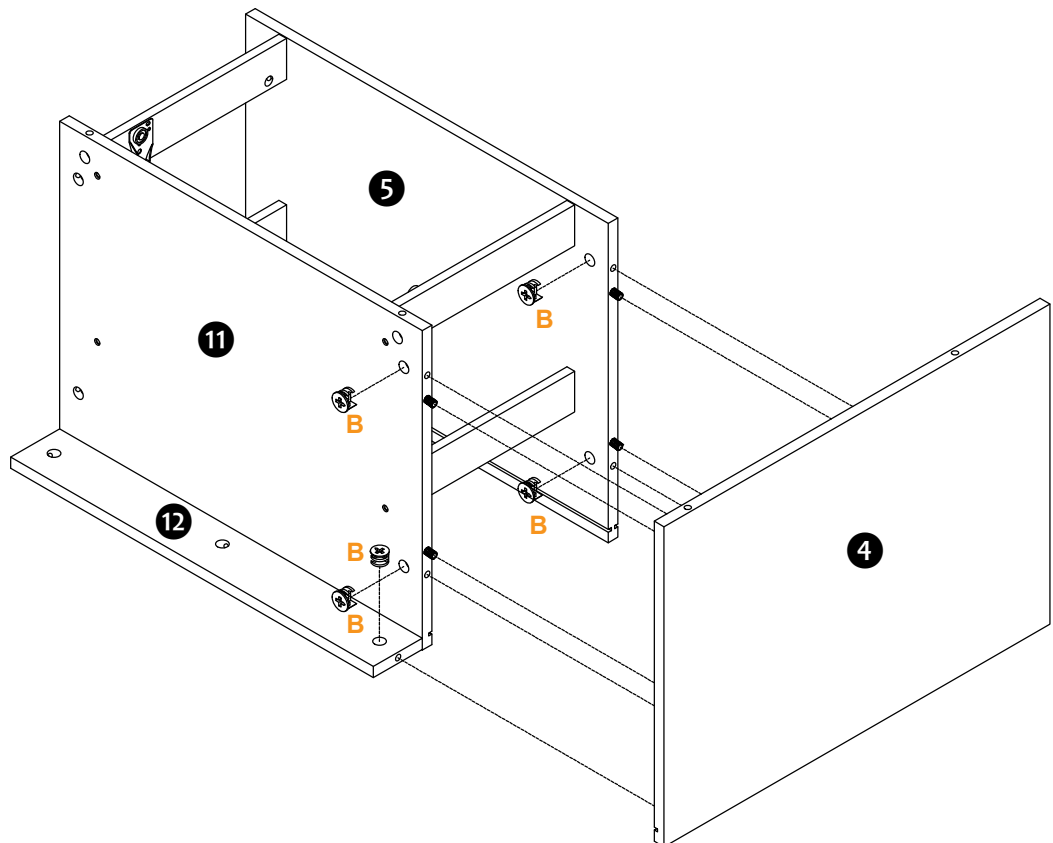
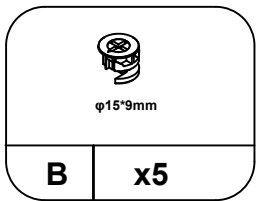
# STEP 3



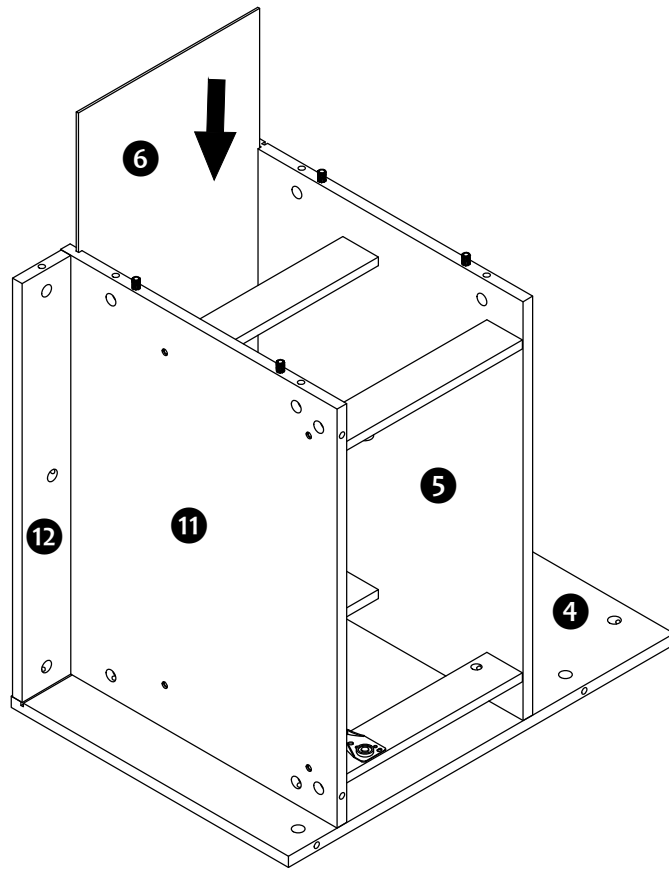
# STEP 4



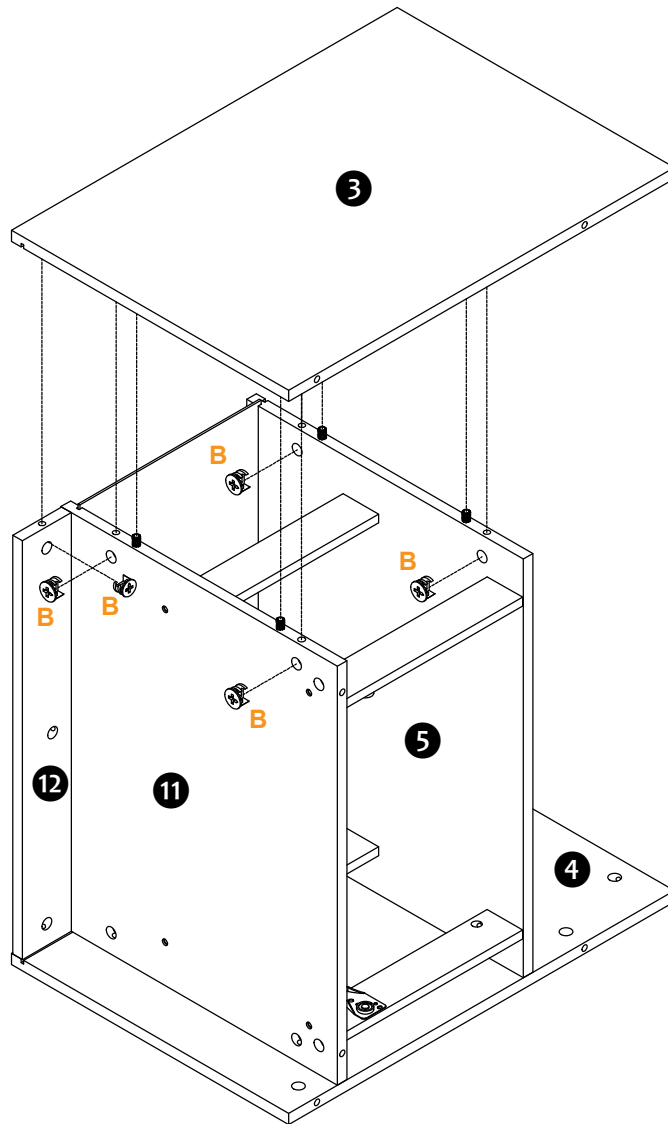
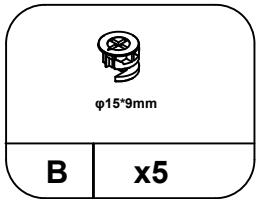
# STEP 5



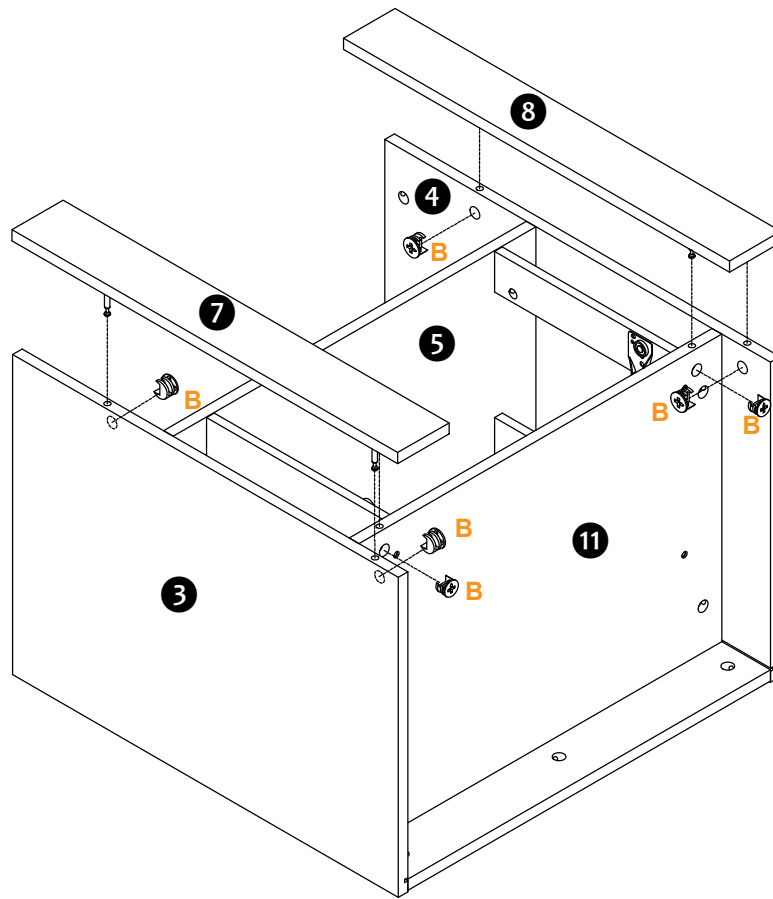
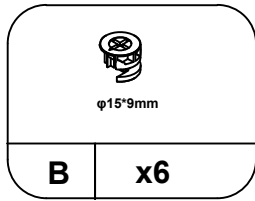
# STEP 6



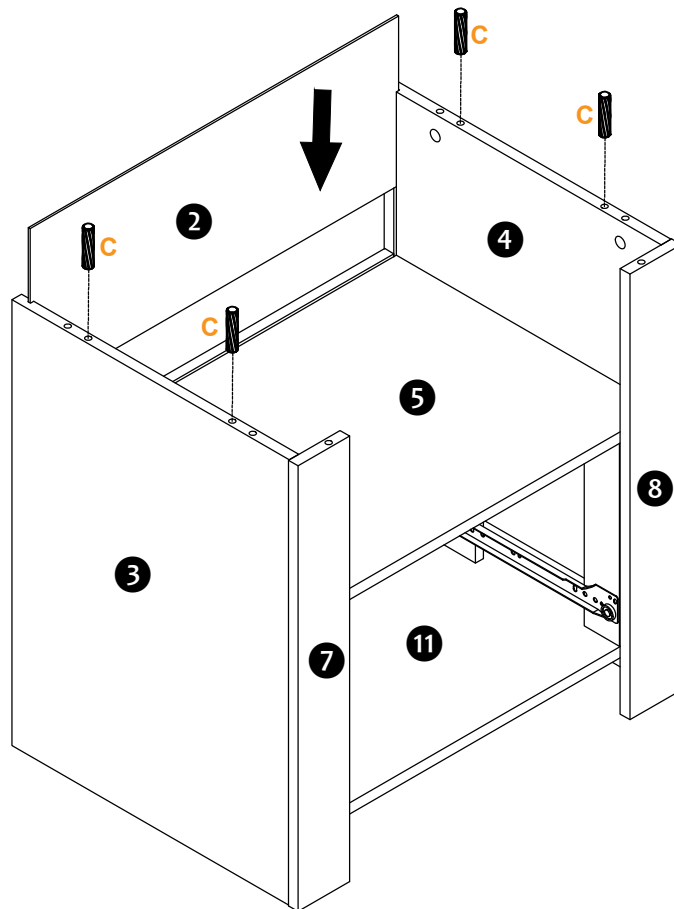
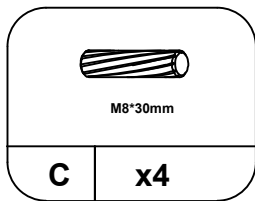
# STEP 7



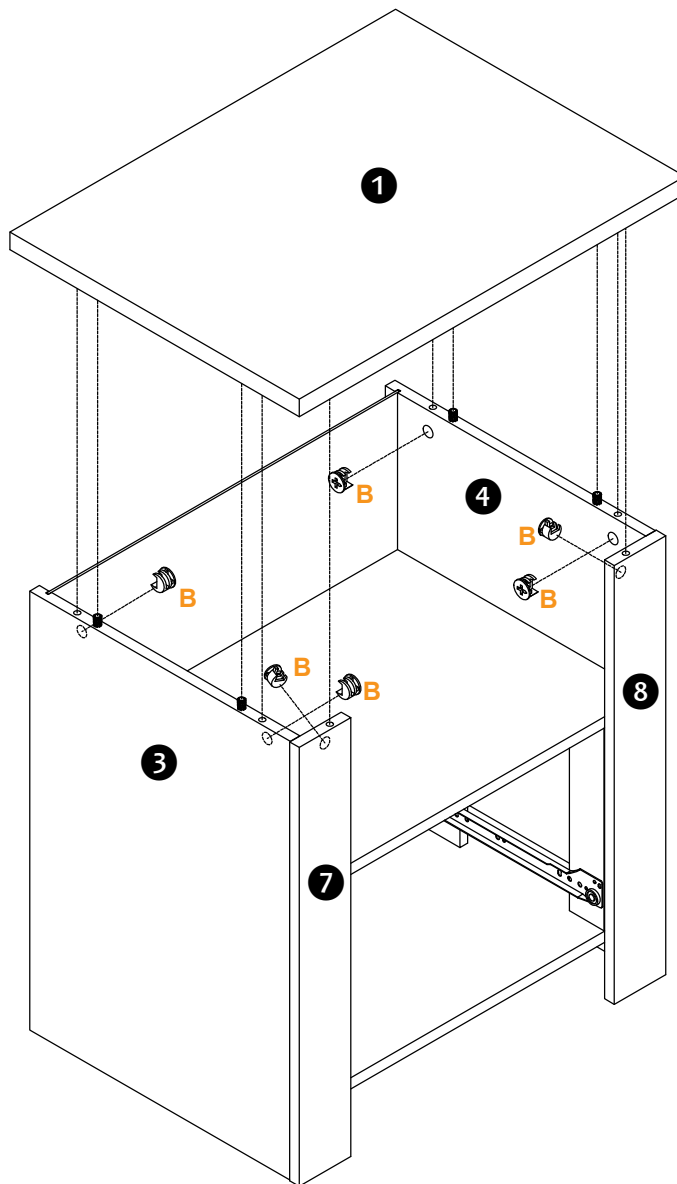
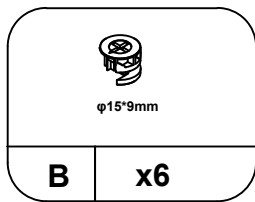
# STEP 8



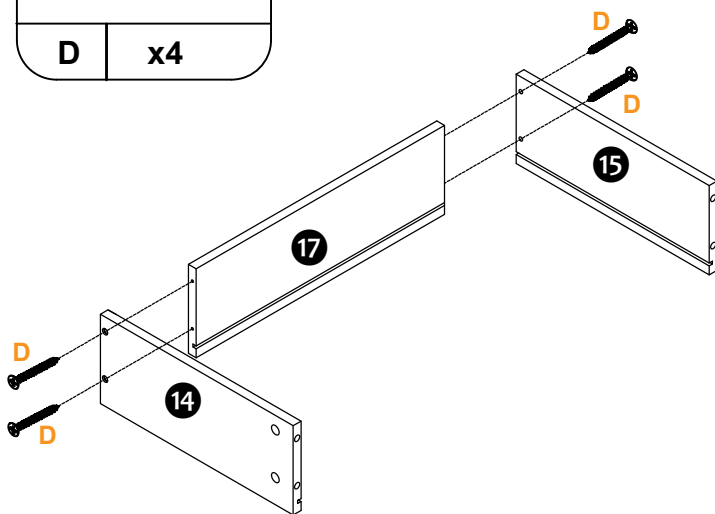
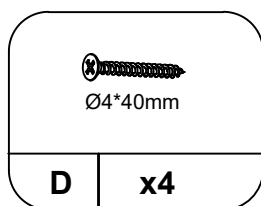
# STEP 9



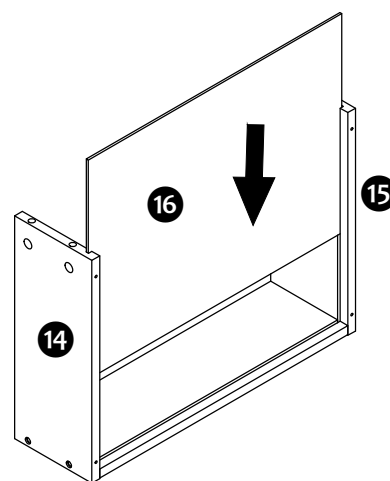
# STEP 10



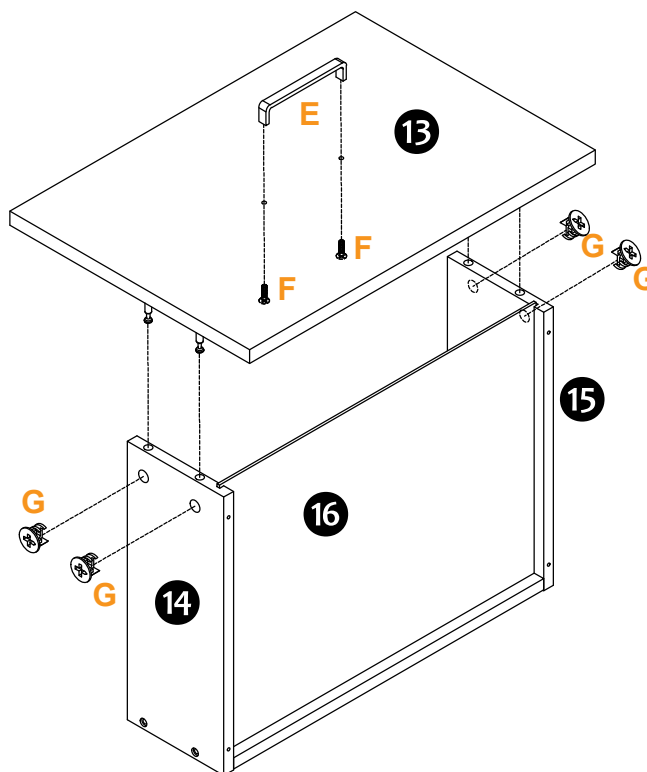
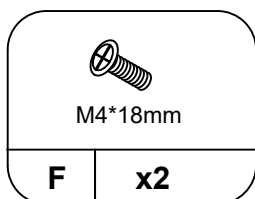
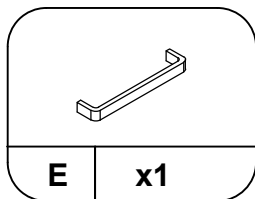
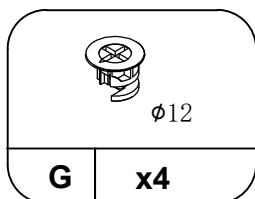
# STEP 11



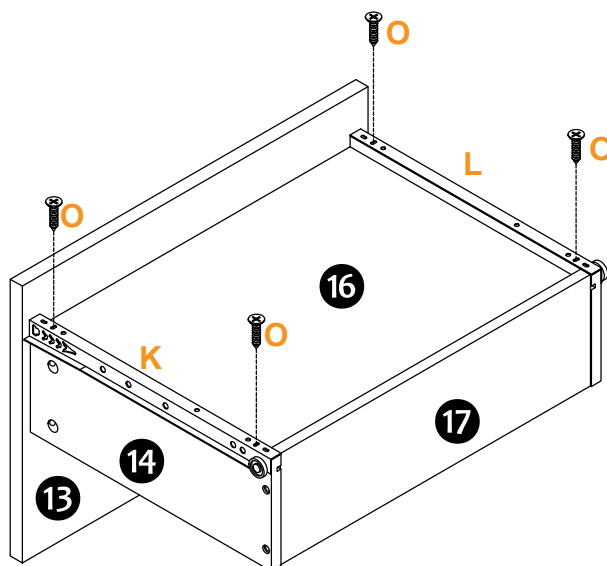
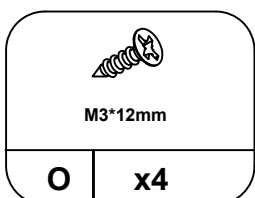
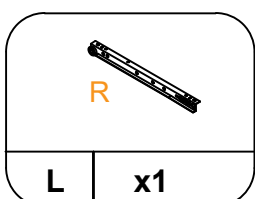
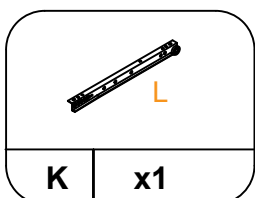
# STEP 12



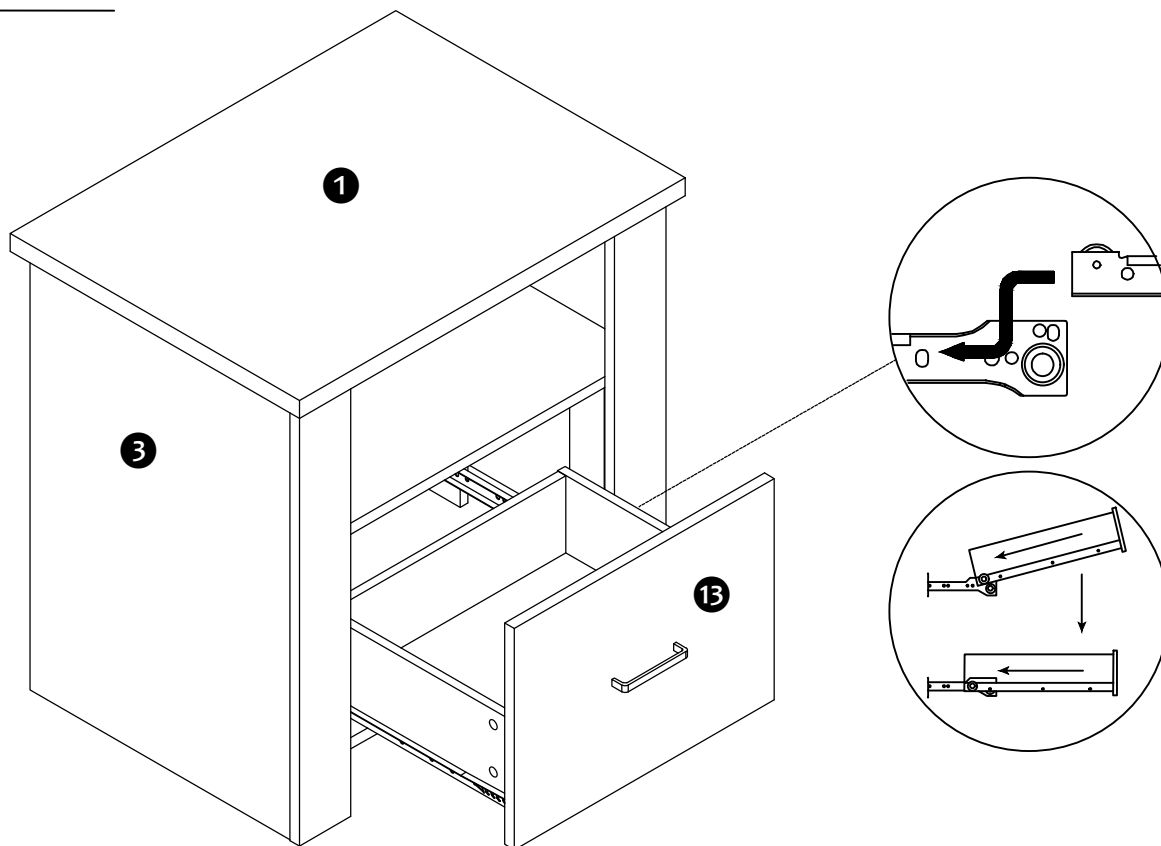
# STEP 13



# STEP 14



# STEP 15



# STEP 16

