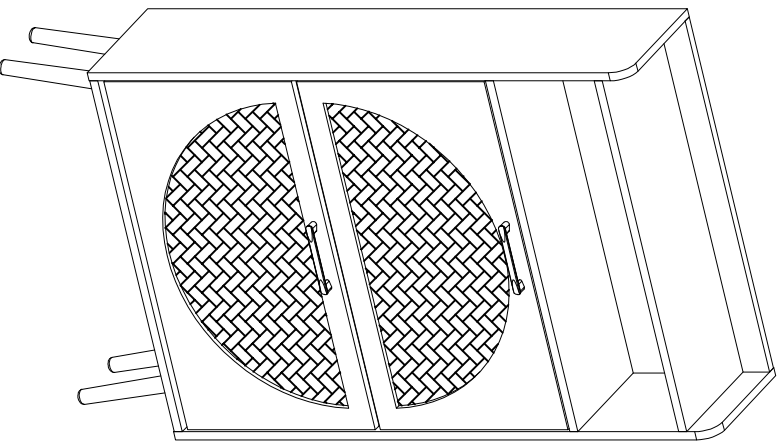
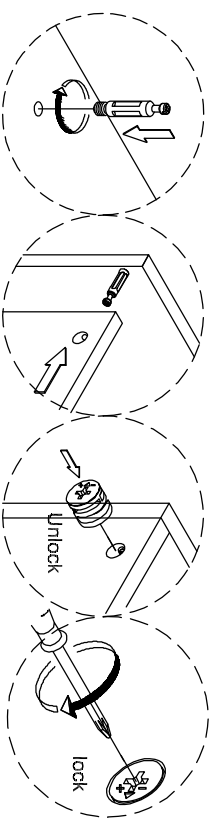
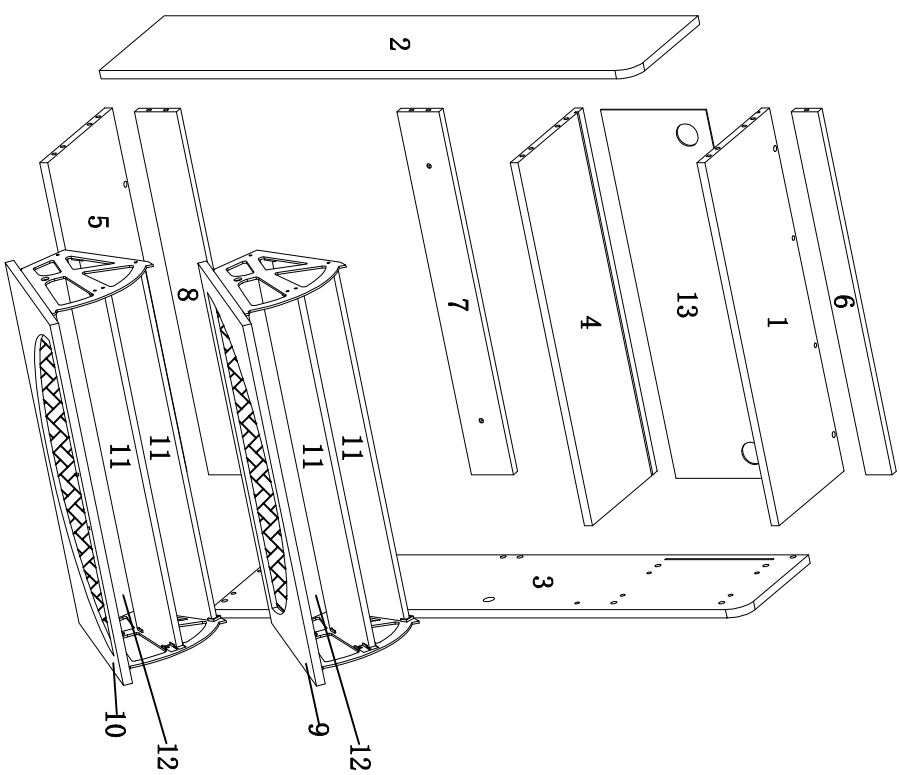


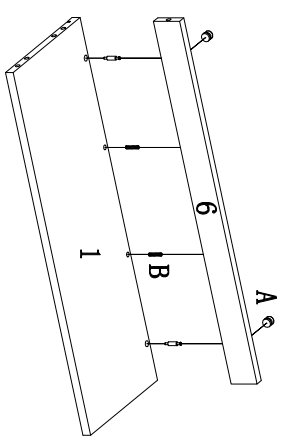
Installation manual



A	A1		A2		B	15 PCS	C	36 PCS	D	12 PCS	E	4 PCS	F	4 PCS	G	2 PCS	H	2 PCS	I	4 PCS	J	4 PCS	K	2 PCS	L	4 PCS	M	1 PCS
	26 PCS																											

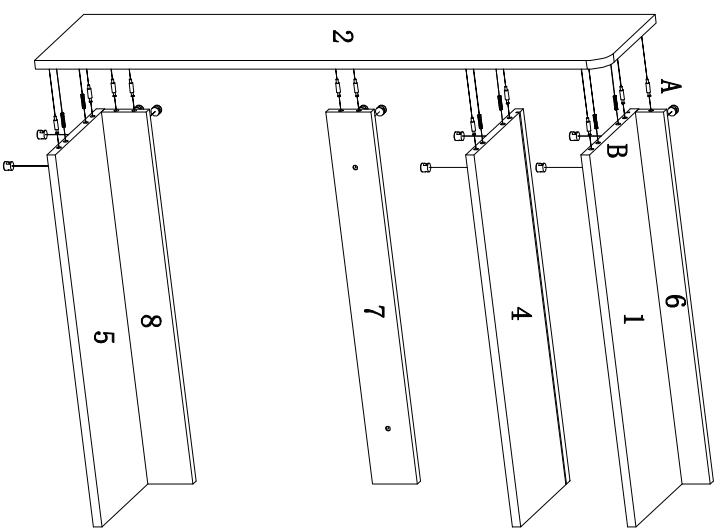


1



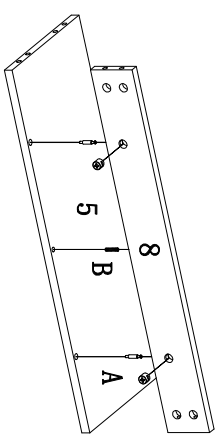
A	A1 #6*38mm	A2 #15*11mm	B #8*40mm
A	2 PCS	B	2 PCS

3



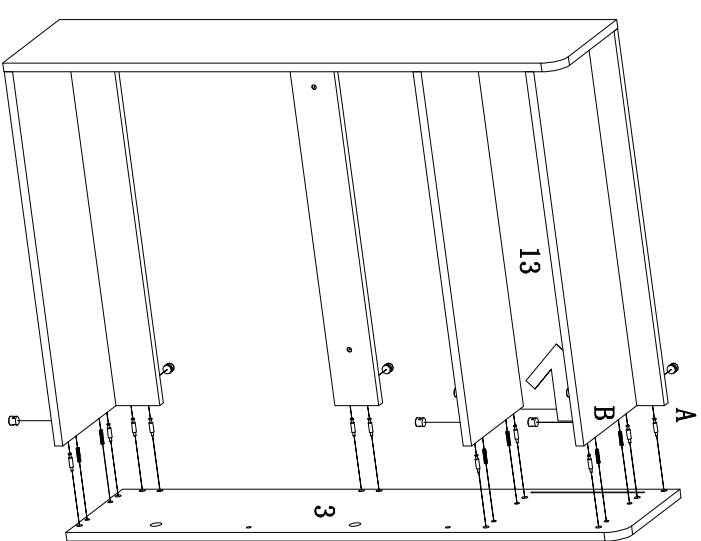
A	A1 #6*38mm	A2 #15*11mm	B #8*40mm
A	11 PCS	B	6 PCS

2



A	A1 #6*38mm	A2 #15*11mm	B #8*40mm
A	2 PCS	B	1 PCS

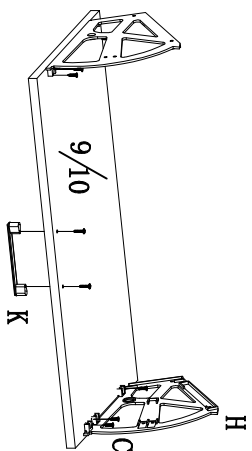
4


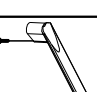



A	A1 #6*38mm	A2 #15*11mm	B #8*40mm
A	11 PCS	B	6 PCS

5

X2



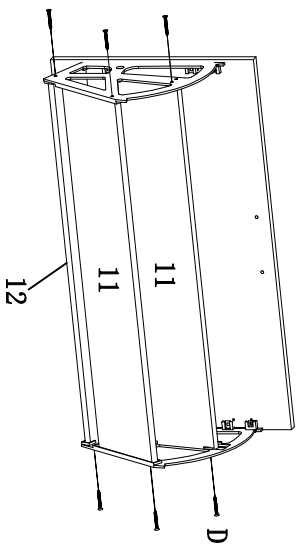
					
C	12 PCS	K	2 PCS	H	2 PCS


ST3.5*14mm

96mm
18mm

6

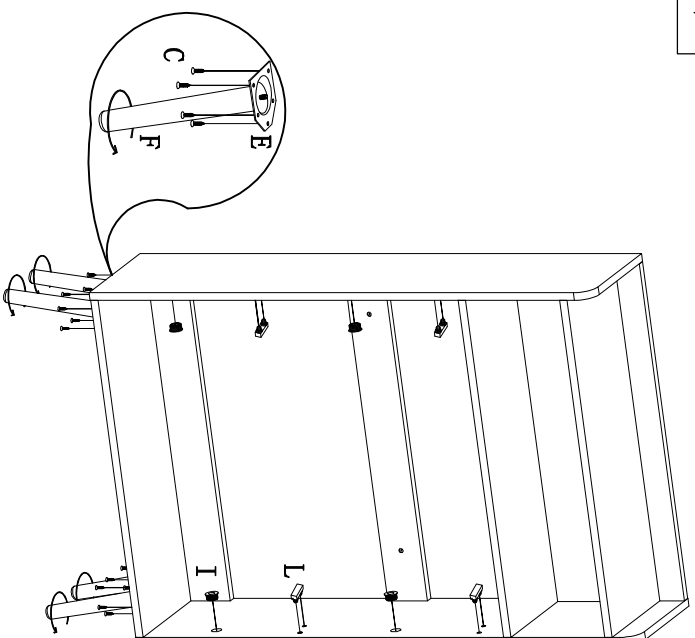
X2


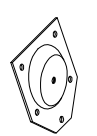


	
D	12 PCS

ST3.5*30mm

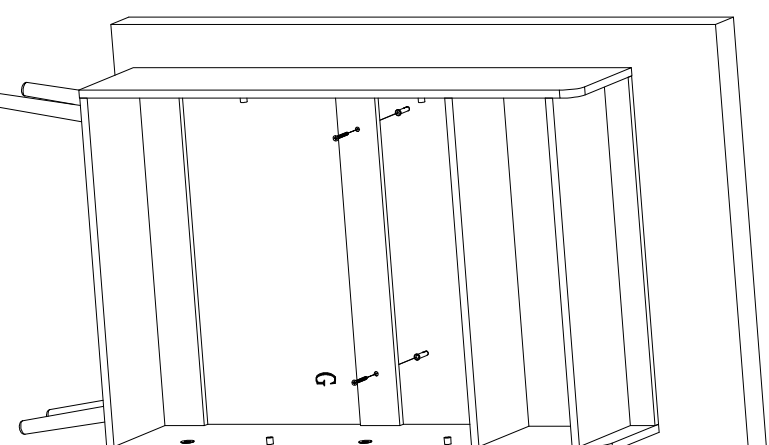
7





			
C	20 PCS	E	4 PCS

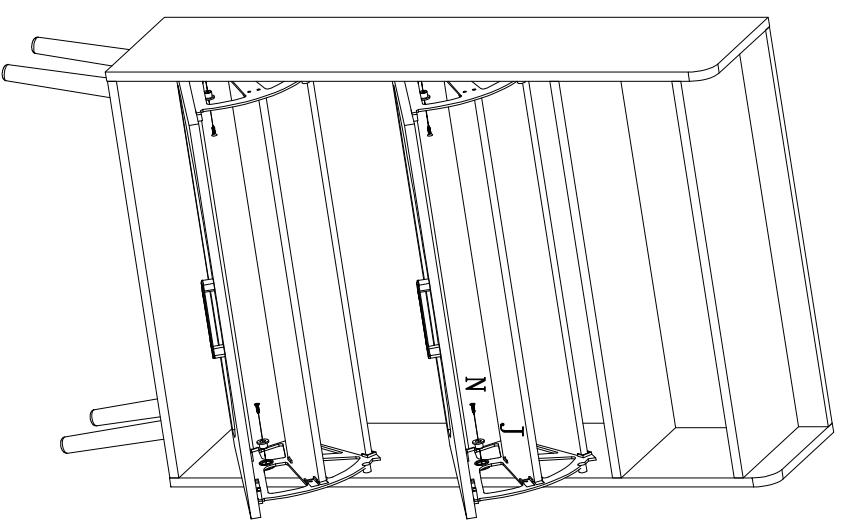
ST3.5*14mm



8



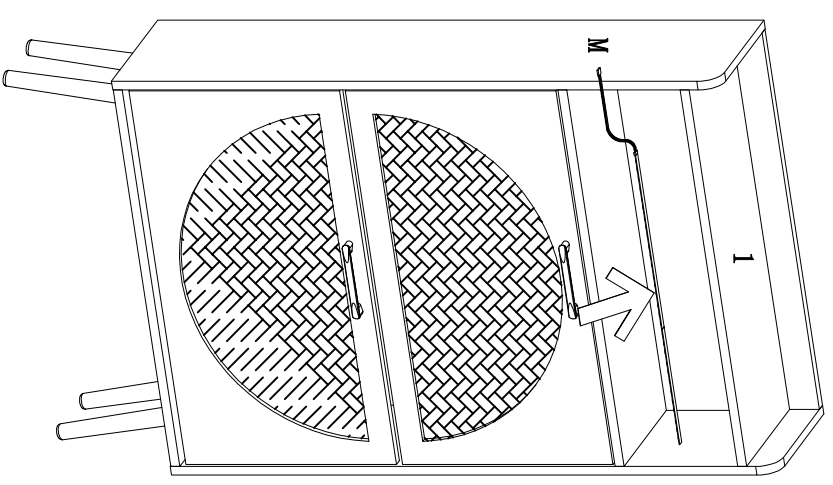
		
G	2 PCS	


115mm



		ST3.5*14mm
C	4 PCS	J
		4 PCS

The LED tape should be on the bottom of No 1 board



M		LED TAPE
M	1 PCS	