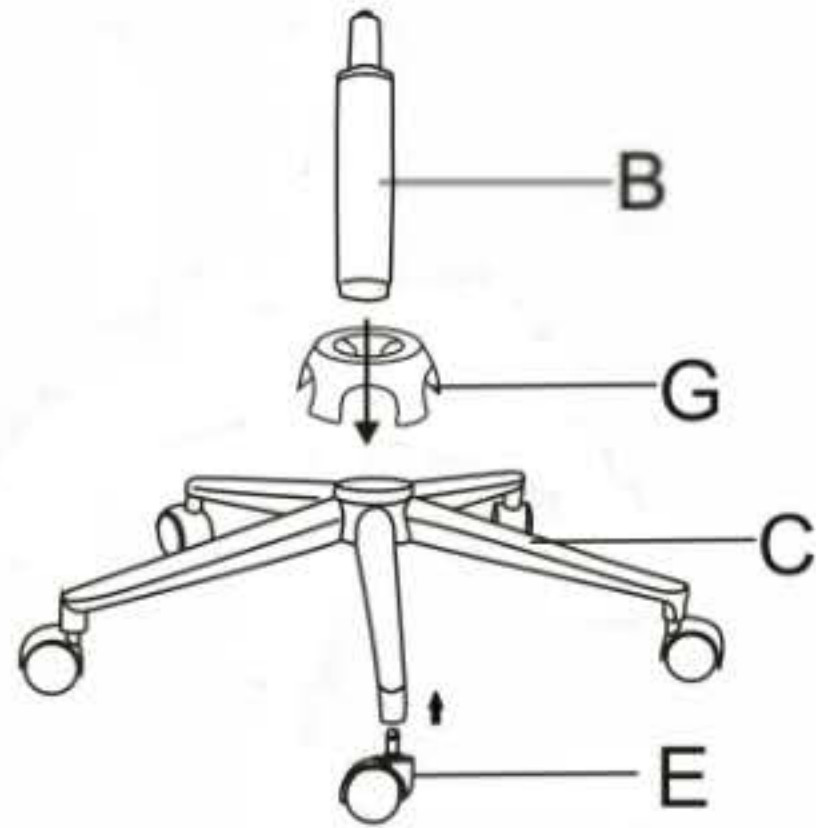


# ASSEMBLY INSTRUCTION

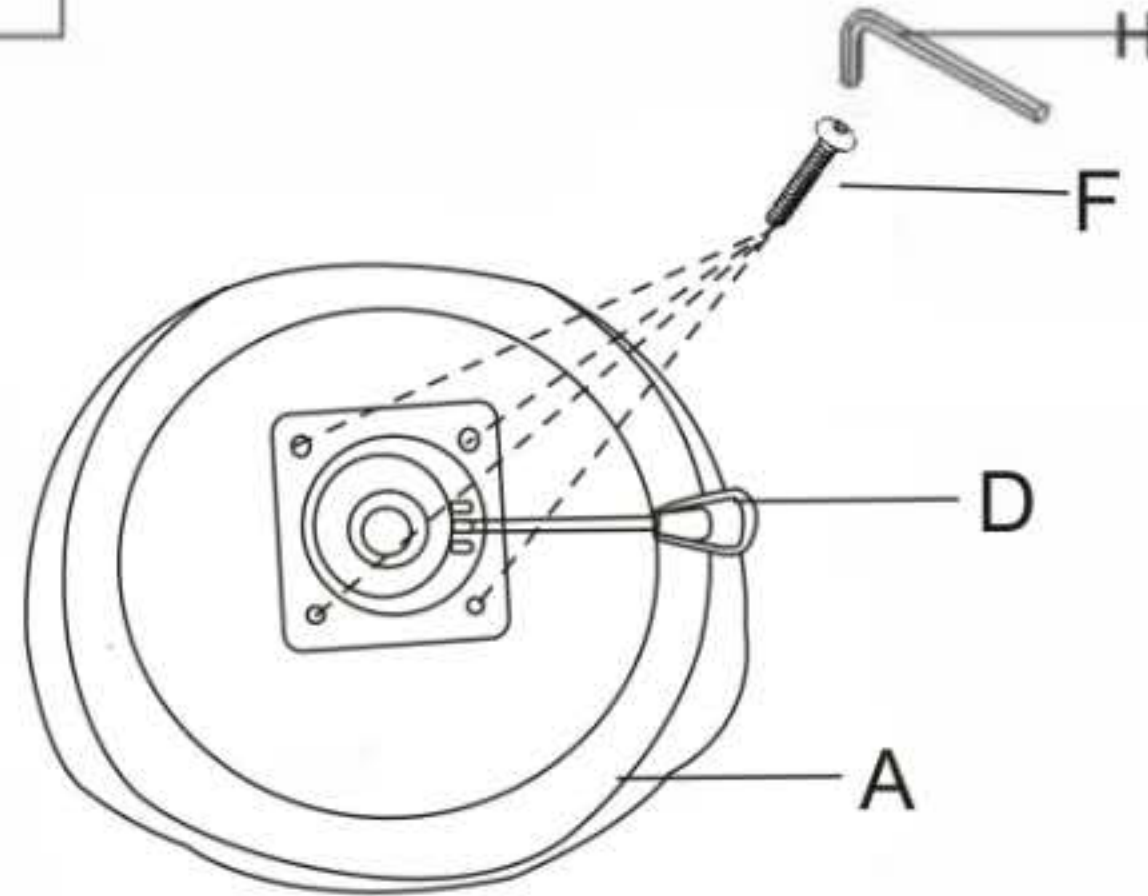
▽ PARTSxQTY

▽ ASSEMBLY PROGRAM

1



2



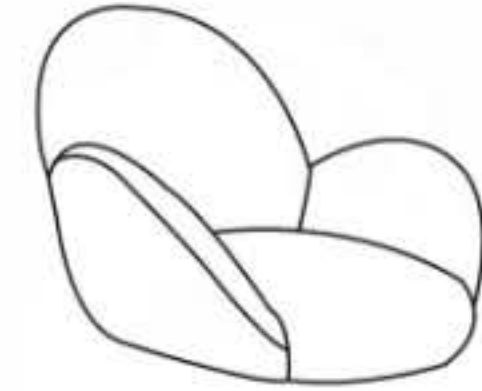
3



4



Ax1



Ex5



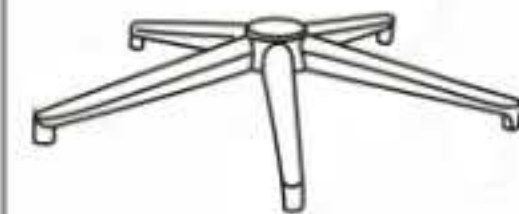
Bx1



Fx4



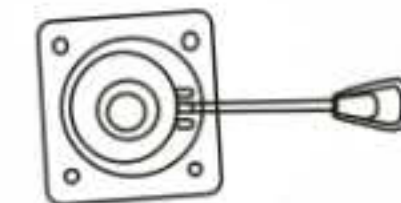
Cx1



Gx1



Dx1



Hx1

