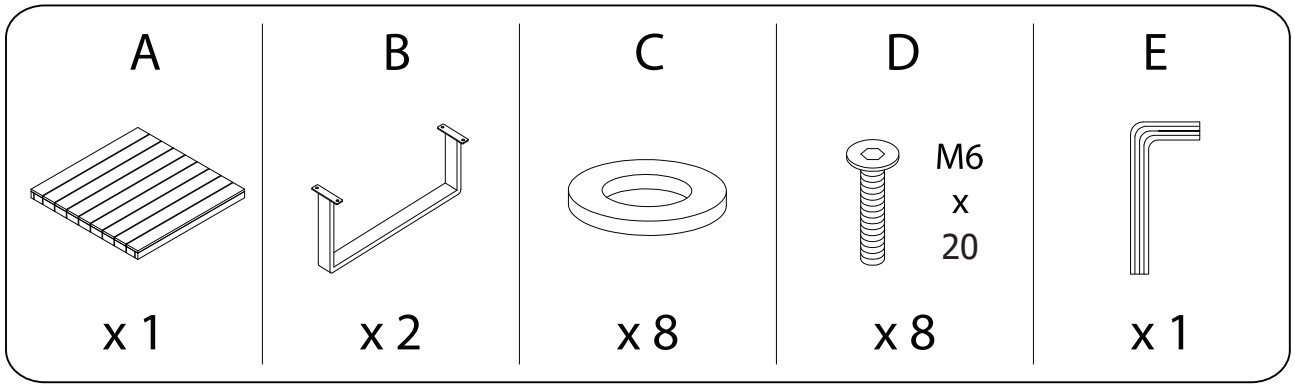
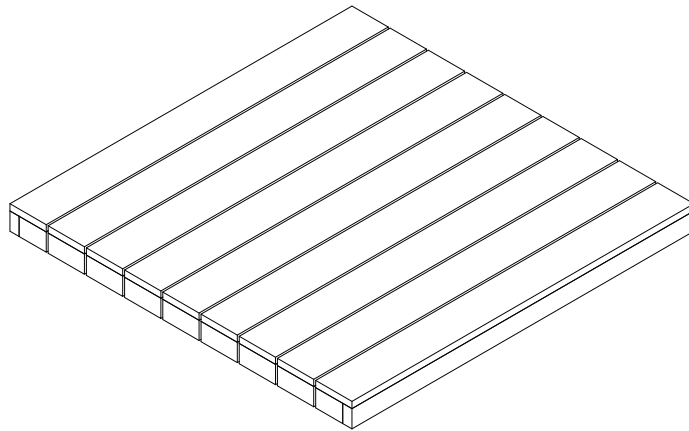


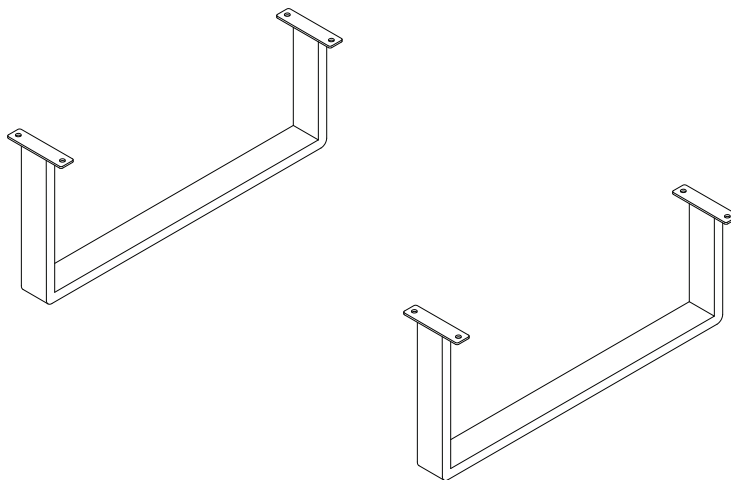
A



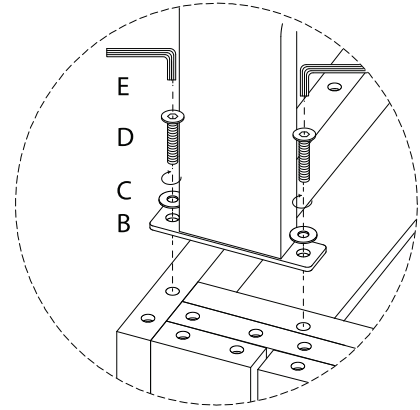
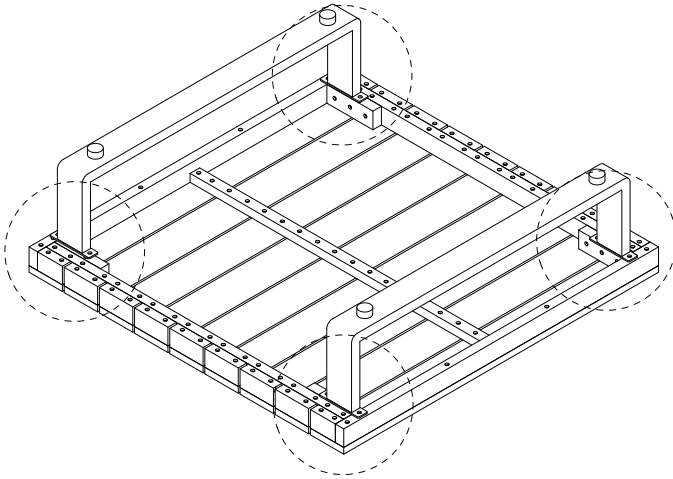
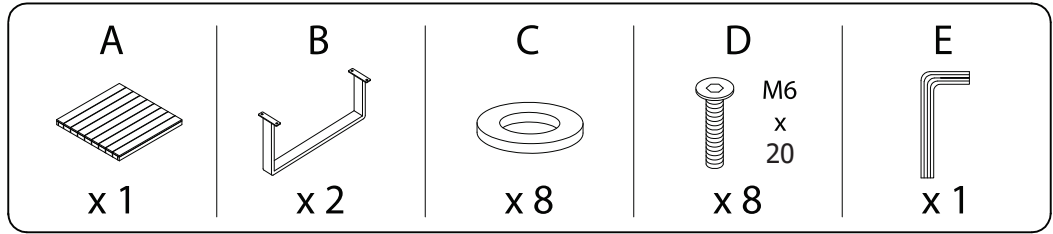
A



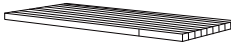
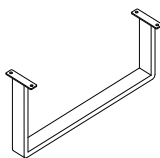
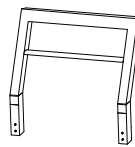
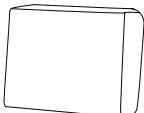

B x 2



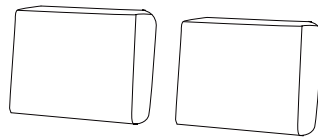
1



B

<p>A</p>  <p>x 1</p>	<p>B</p>  <p>x 2</p>	<p>C</p>  <p>x 2</p>	<p>D</p>  <p>x 2</p>	<p>E</p>  <p>x 1</p>
---	---	---	--	---

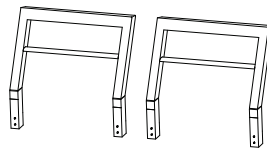
D x 2



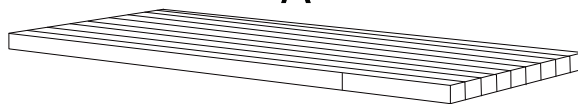
E



C x 2

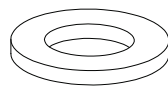
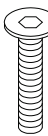
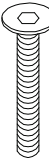
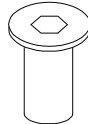



A

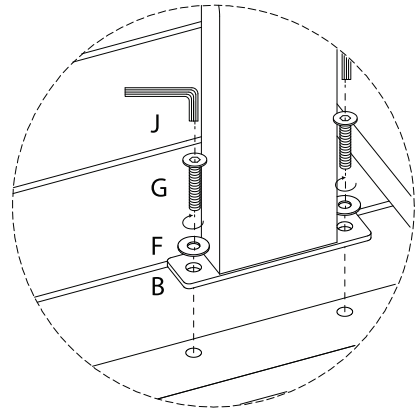
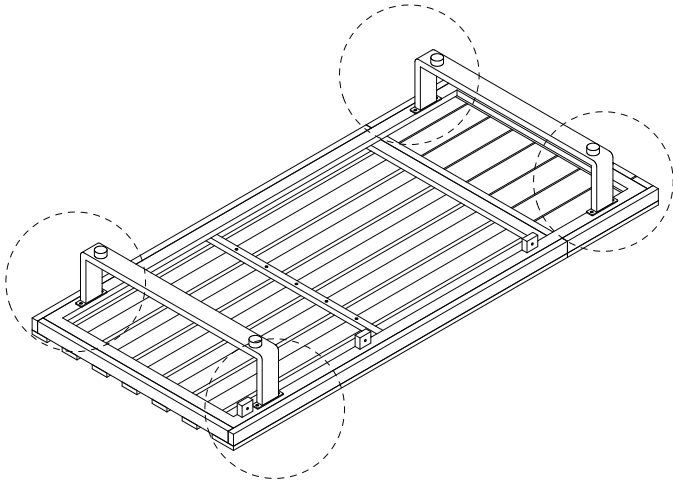
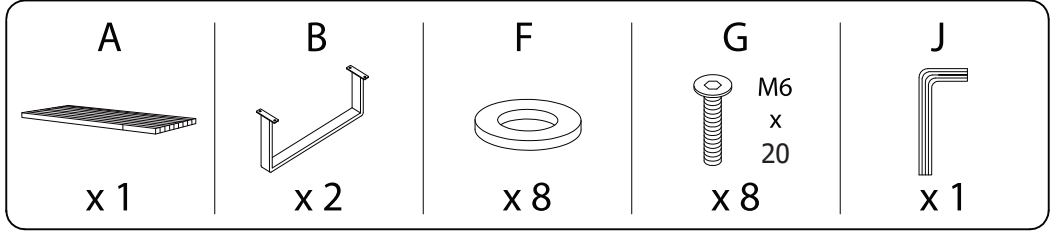


B x 2

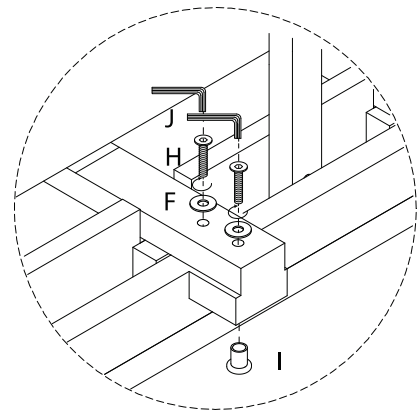
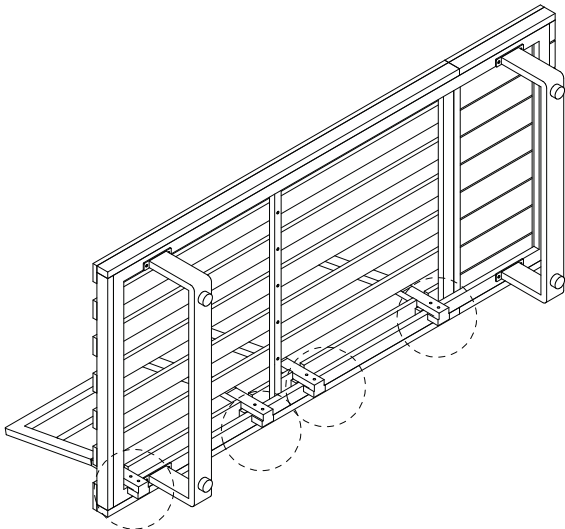
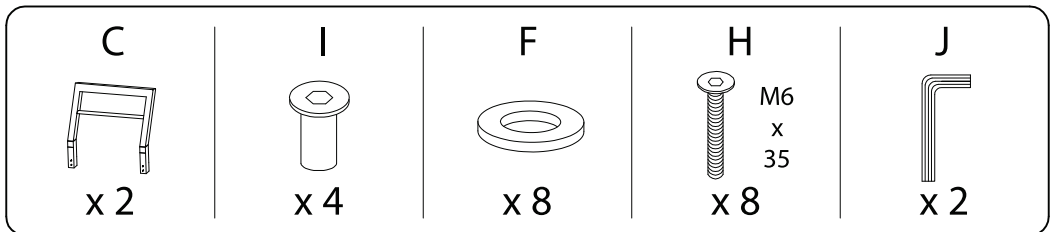


<p>F</p>  <p>x 16</p>	<p>G</p>  <p>M6 x 20</p> <p>x 8</p>	<p>H</p>  <p>M6 x 35</p> <p>x 8</p>	<p>I</p>  <p>x 4</p>	<p>J</p>  <p>x 1</p>
--	--	--	---	---

1



2

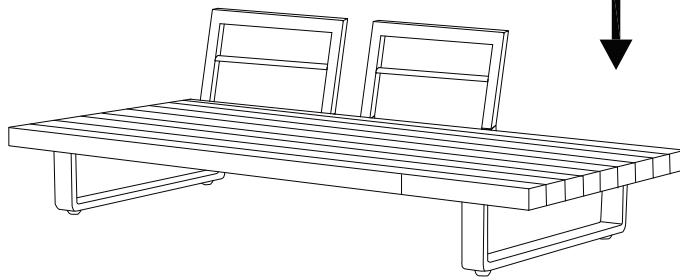


3

E

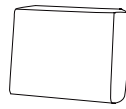


x 1

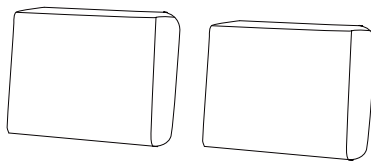


4

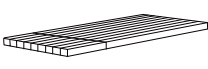

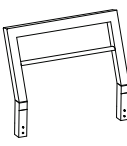

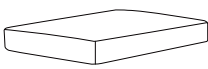
D



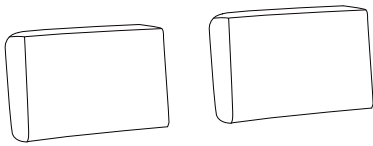
x 2



C

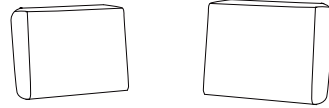
<p>A</p>  <p>x1</p>	<p>B</p>  <p>x1</p>	<p>C</p>  <p>x4</p>	<p>D</p>  <p>x1</p>	<p>E</p>  <p>x1</p>
--	--	--	---	--

F x 2



G

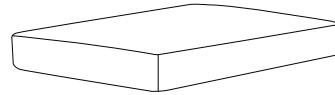
H



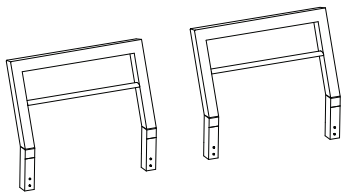
D



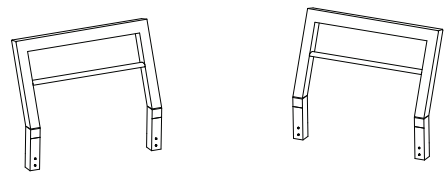
E



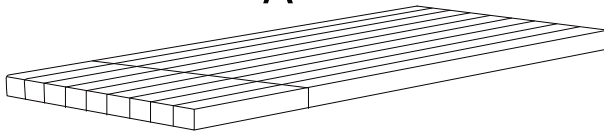
C x 2



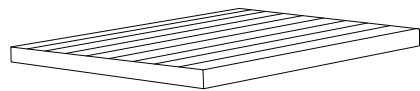
C x 2



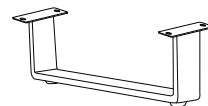
A



B



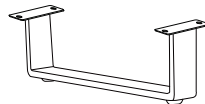
I



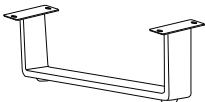
P



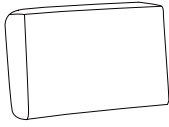
I



I

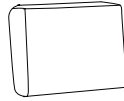


F



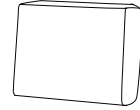
x 2

G



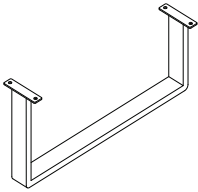
x 1

H



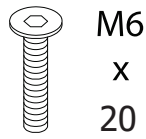
x 1

I



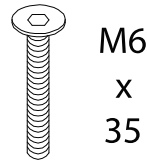
x 3

J



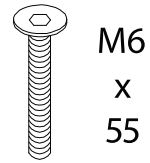
x 14

K



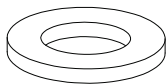
x 16

L



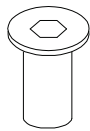
x 2

M



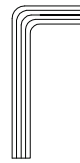
x 32

N



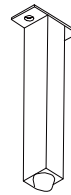
x 8

O



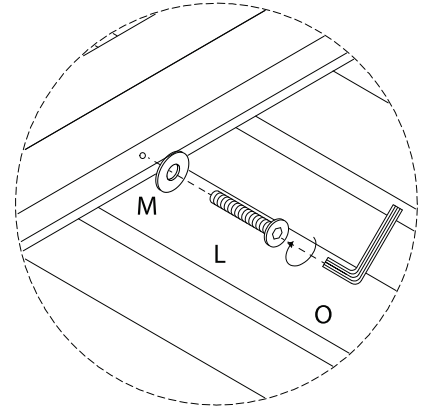
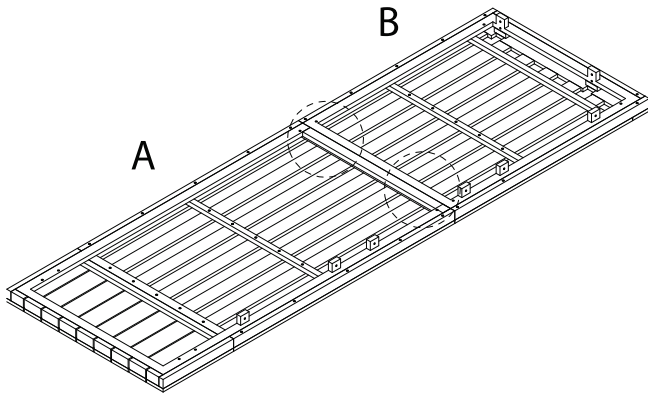
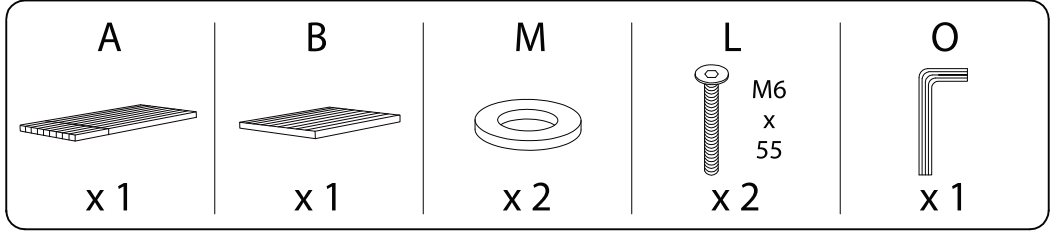
x 2

P

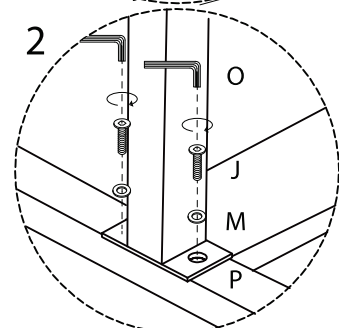
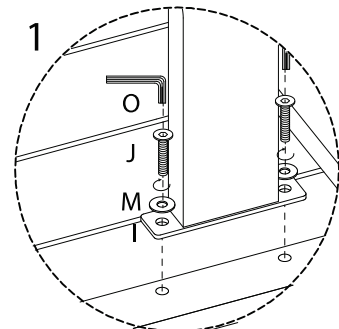
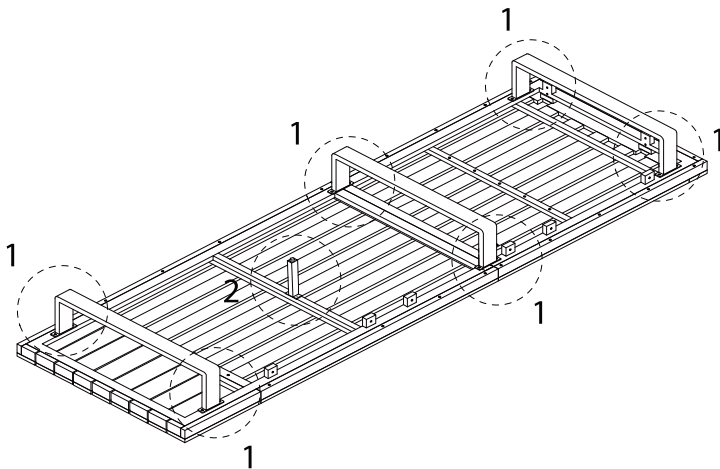
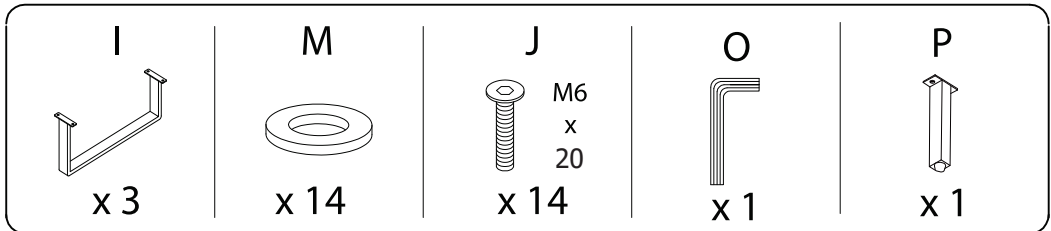


x 1

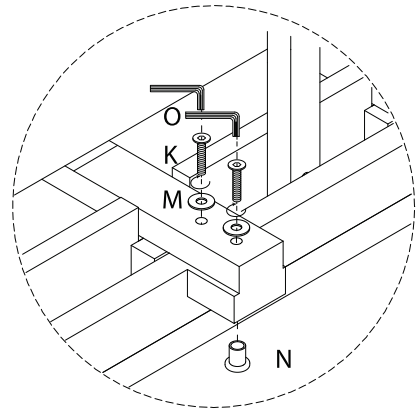
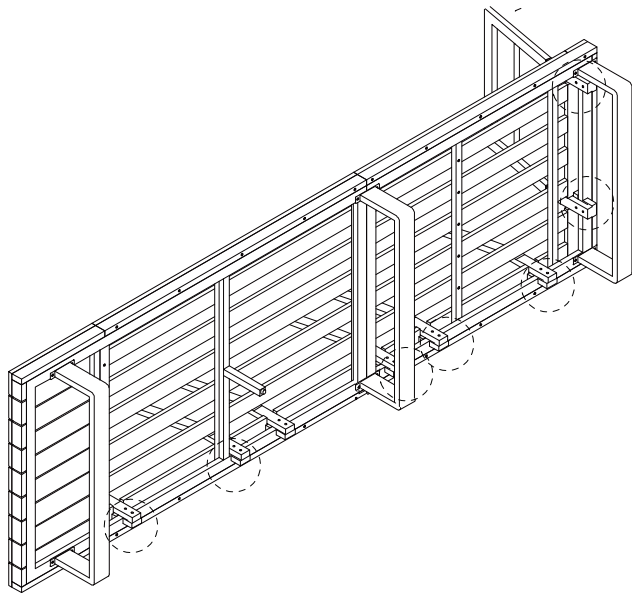
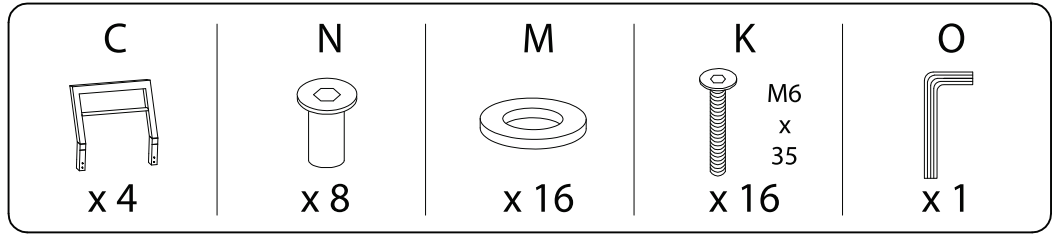
1



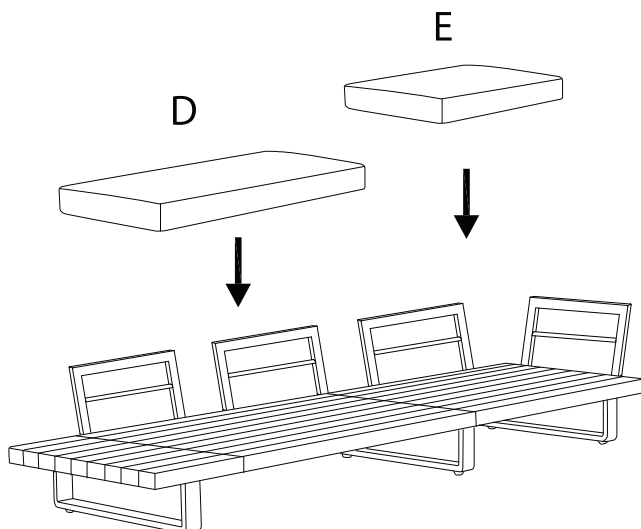
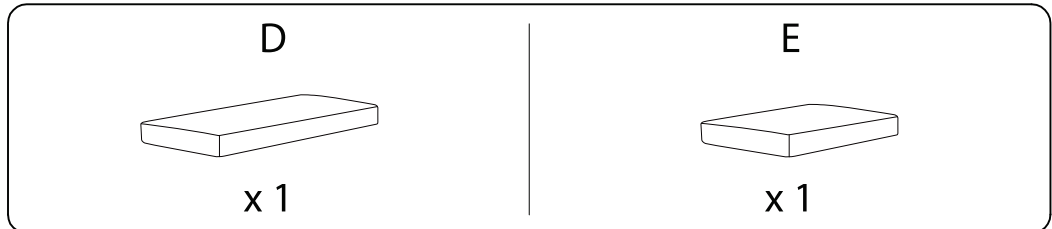
2



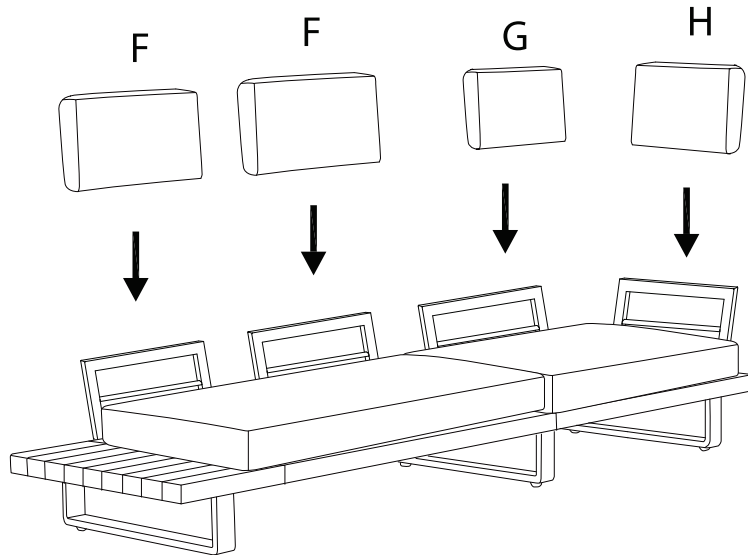
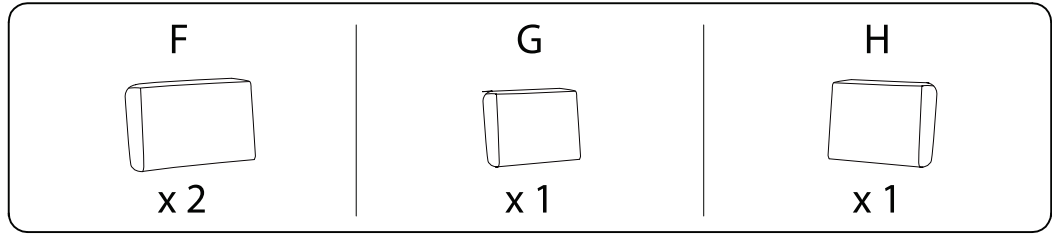
3



4



5



6

