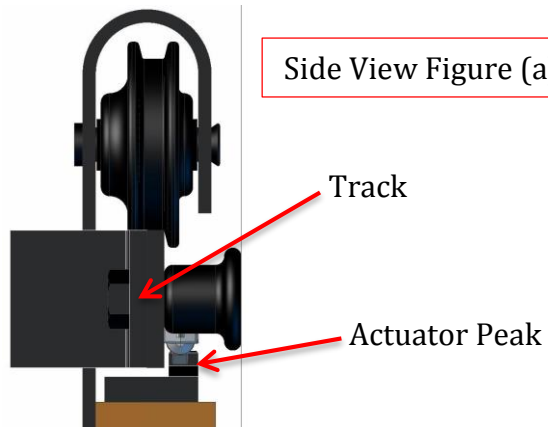


Step 4

With the actuator in place, be sure that the peak is not rubbing against the back side of the track. See figure (a).

Once your location is established simply use the screws to mount the actuator onto the top of your door.

Installation is complete! Enjoy opening & closing your door with ease.



FLAT TRACK
BY LEATHERNECK HARDWARE

Close-Ease

Quick Reference
Installation Guide

Thank you for choosing
LEATHERNECK HARDWARE® for
your specialty sliding door needs.

For Maximum 175 lb. door and
can be used for both ends of track

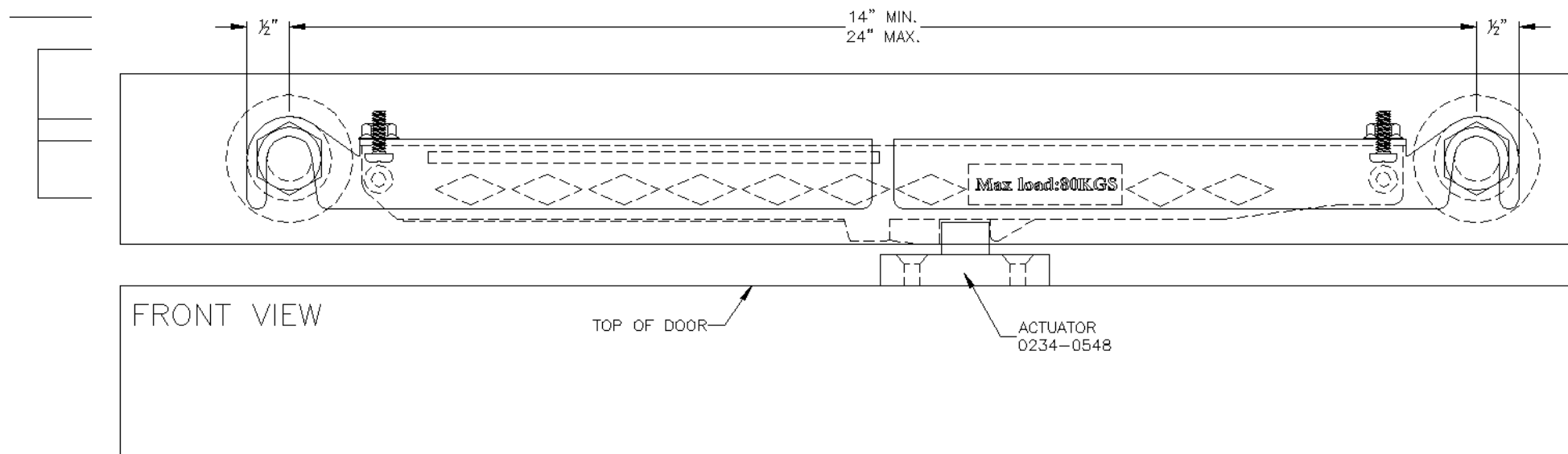


1017 Bahls Street
Danville, IL 61832
info@doorhdwe.com
www.doorhdwe.com
888-442-4572

FLAT TRACK
BY LEATHERNECK HARDWARE



info@doorhdwe.com
www.doorhdwe.com



Step 1

The Close-Ease system requires a standard spacing of 1/2" from top of door to bottom of track. Spacing greater than 1/2" will require shims so the actuator can properly function. Those are not included in the kit.

To install Close-Ease unfasten the two track screws at the end of the track. Be sure you have the closer pointing in the correct direction. Locate the gray piston closest to the end of the track and be sure it is engaged as shown below. Tighten the #8 fasteners enough so that you can still slide the brackets on the closer freely.

Top View (above) & Back View (below)
For Layout Purpose Only

Step 2

Place the hooks of the brackets onto the track screws between the spacers and track. Position it close to a midpoint between the spacers. Once in place hold it against the back of the track and tighten the #8 fasteners. Tighten down the track screws back to the face of the track.

Step 3

(Gray Piston)

Finally you must locate the actuator. Make sure the door is stopped to the side on which you have installed the closer. Rotate the actuator under the track and up into the closer as shown.