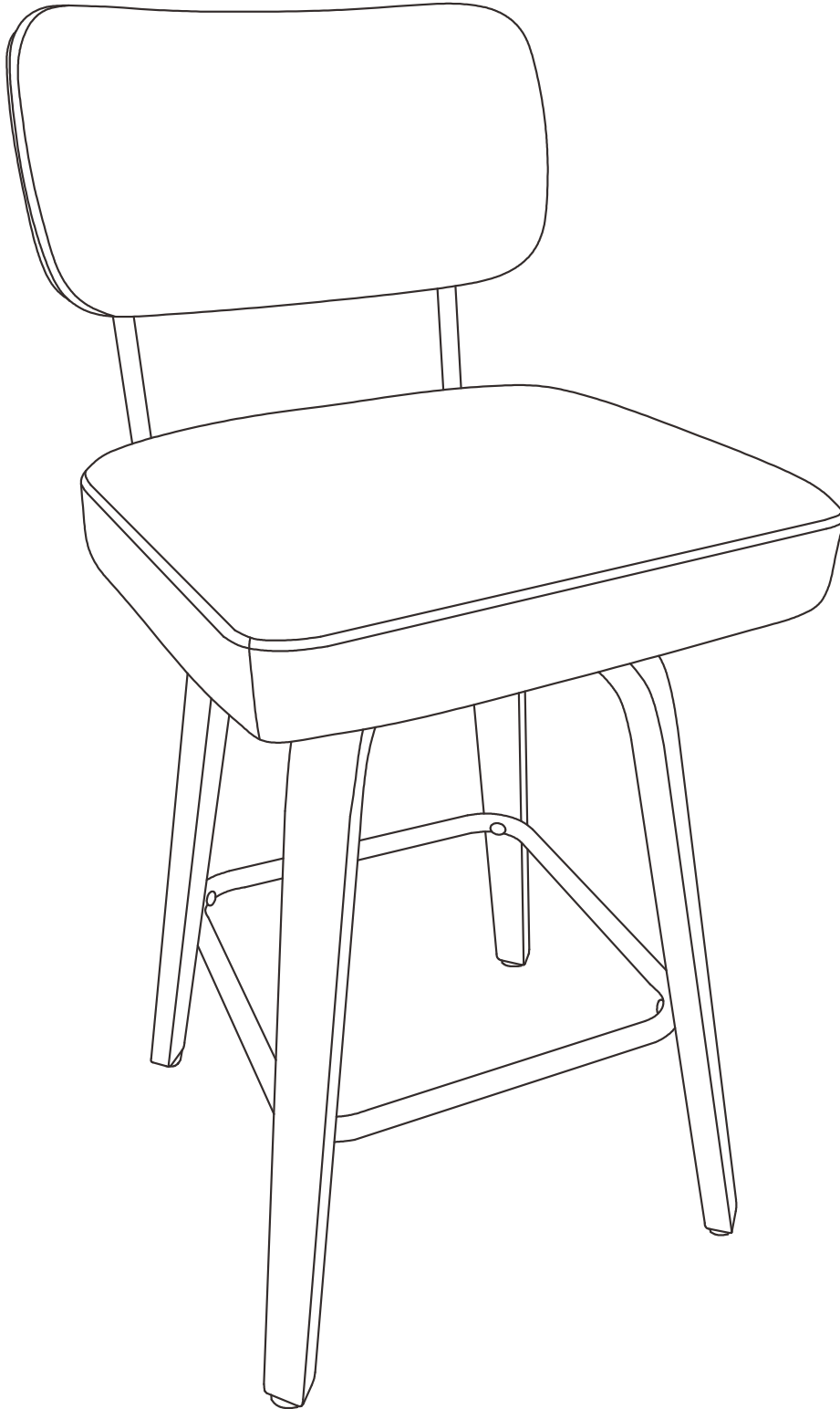


INSTRUCTION



NOTICE

Please keep these instructions for future reference.

Dear Customer




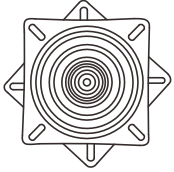
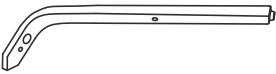
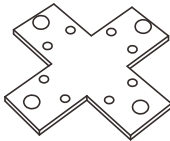
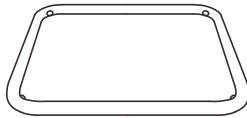
- Thank you for your purchase. When you receive the product, please make sure that all the parts are intact. Then follow the entire installation instructions to install!
- When installing, please be careful not to tighten the screws immediately! You need to make sure that all the screws are secured to 80%, then tighten them!

If problem occur unsatisfactorily as follows

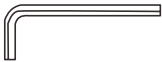
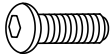
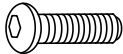
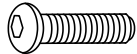
- A** . The outer box is damaged
- B** . The product is damaged / bent / cracked while you open the box
- C** . The parts / accessories / assembly tools are missing
- D** . The instructions are not clear and can not be referred
- E** . The product has functional problems
- F** . Other aspects that you are not satisfied with

Please feel free to contact us for help.

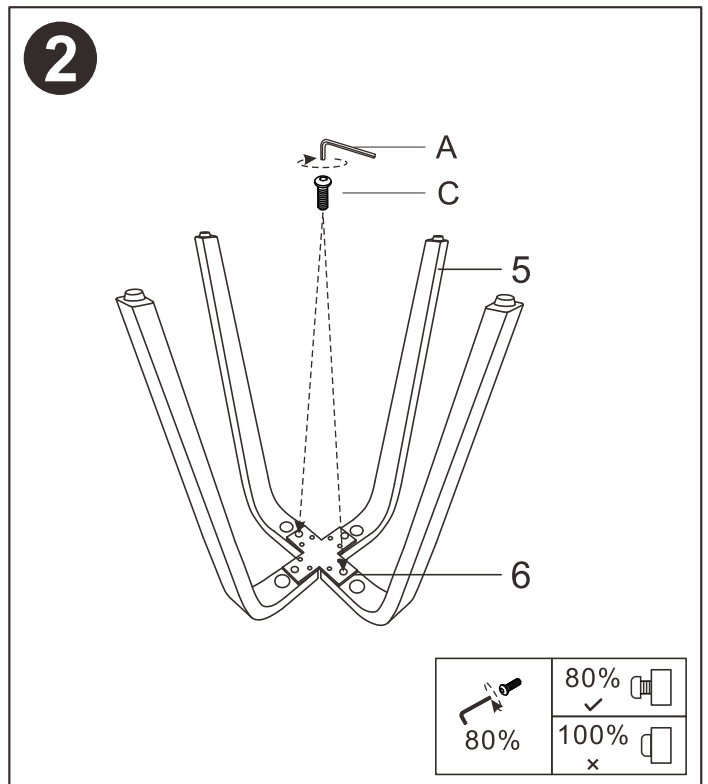
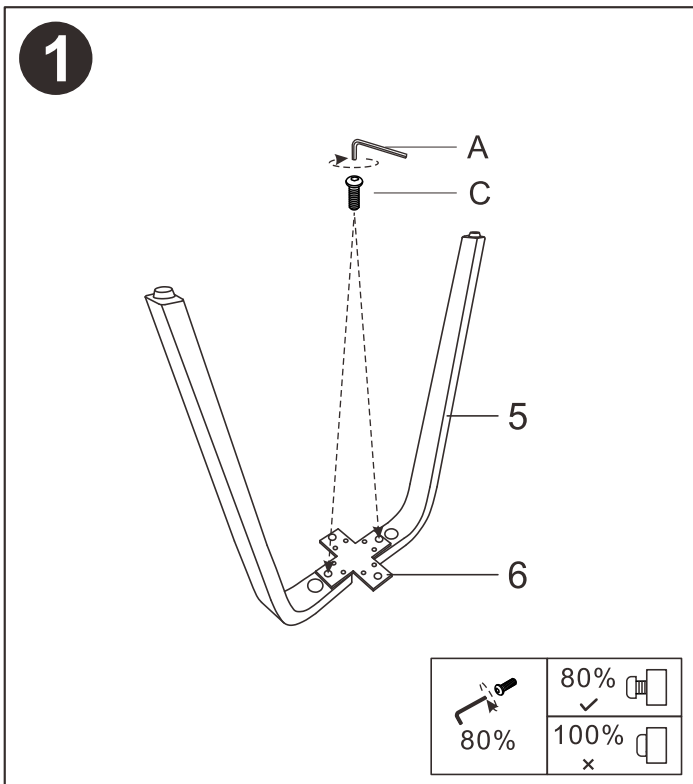
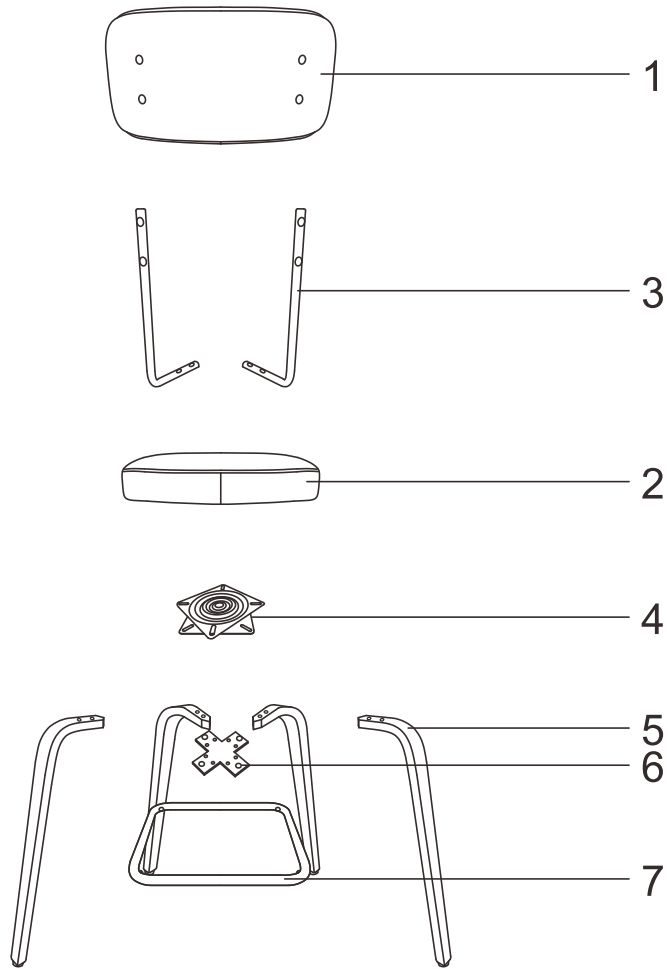
Parts List

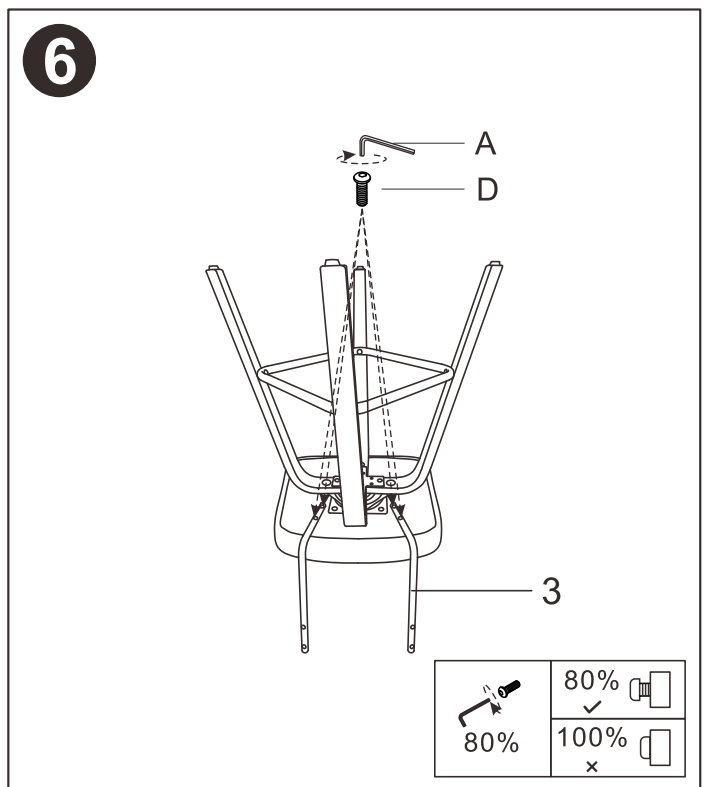
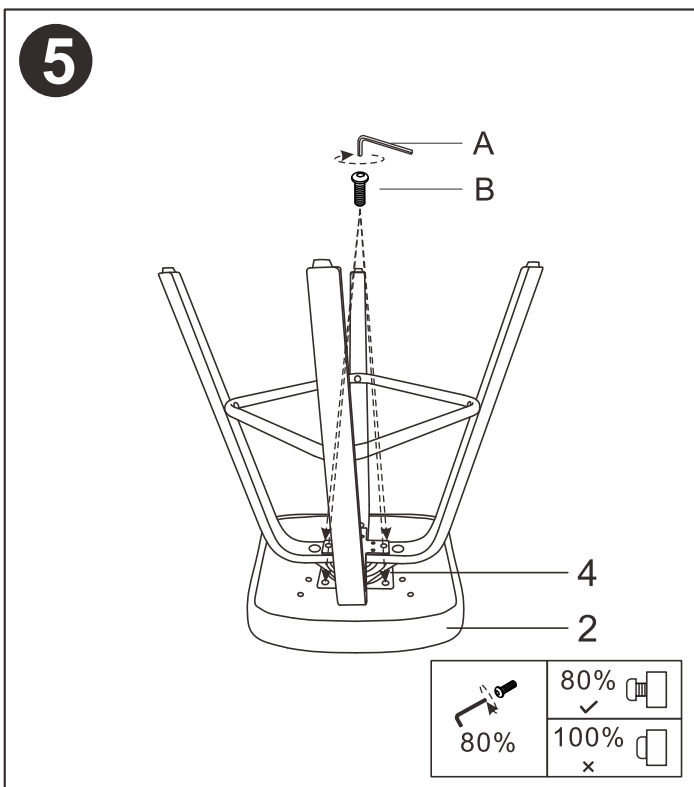
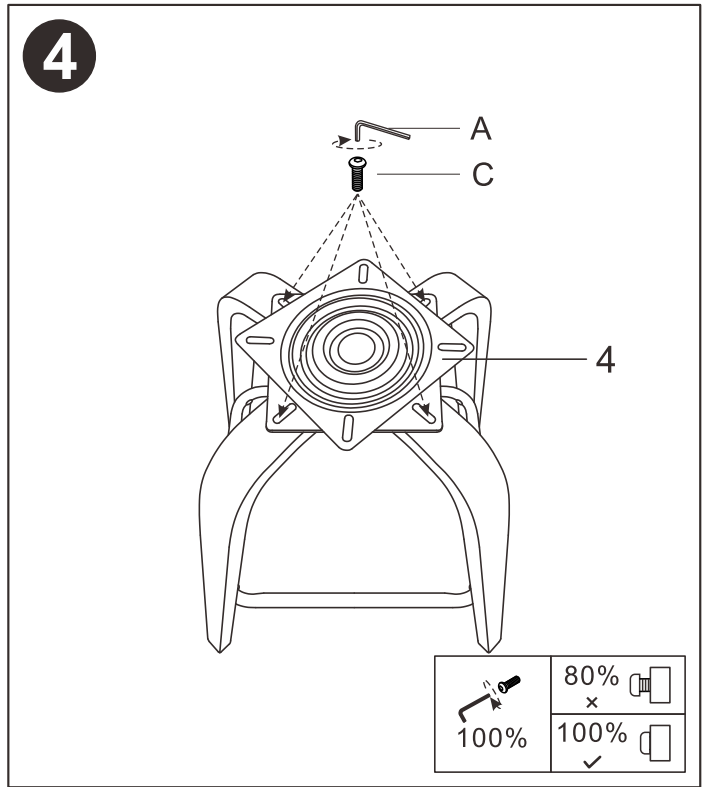
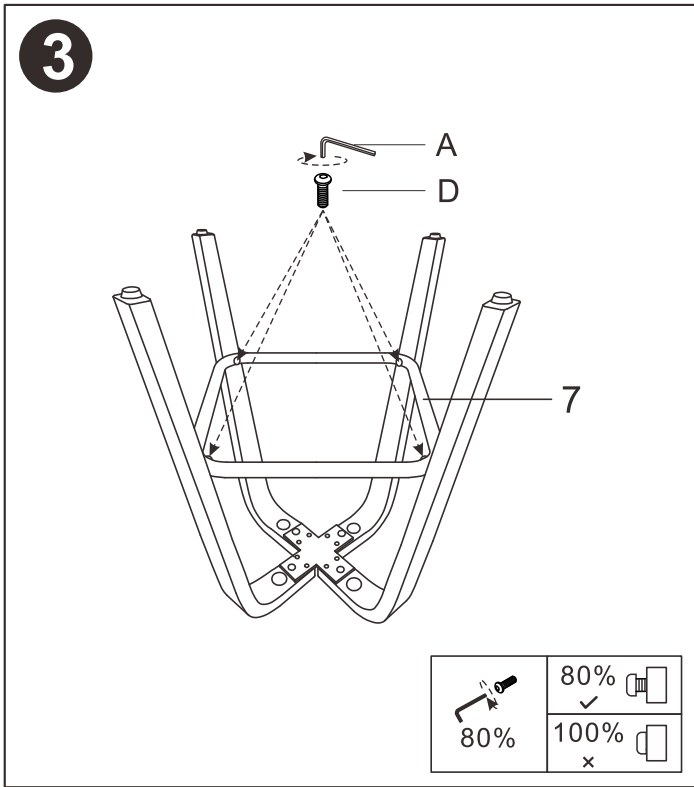
<p>①x1pc Backrest</p> 	<p>②x1pc Seat</p> 	<p>③x2pcs Back linkage</p> 	<p>④x1pc Turntable</p> 
<p>⑤x4pcs Timber leg</p> 	<p>⑥x1pc Cross iron</p> 	<p>⑦x1pc Siderosphere</p> 	

Hardware List

<p>A x1pc</p>  <p>M6</p>	<p>B x4pcs</p>  <p>M6x20mm</p>	<p>C x8+1pcs</p>  <p>M6x25mm</p>	<p>D x12+2pcs</p>  <p>M6x30mm</p>
---	---	--	--

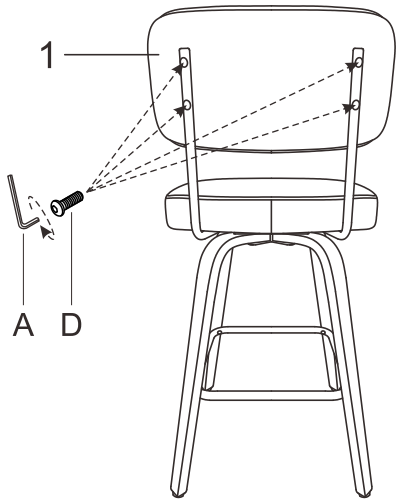
Part List








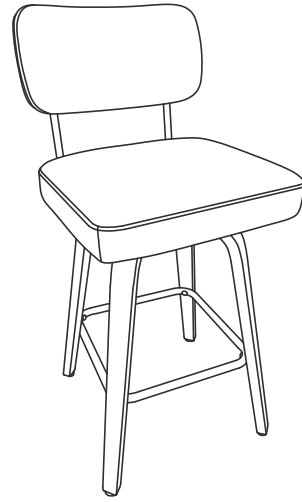
**The installation is complete.
Make sure ALL the screws are fully tighten.**

7



 80%	80%  ✓
80%	100%  x

8



All screws are locked 100%.