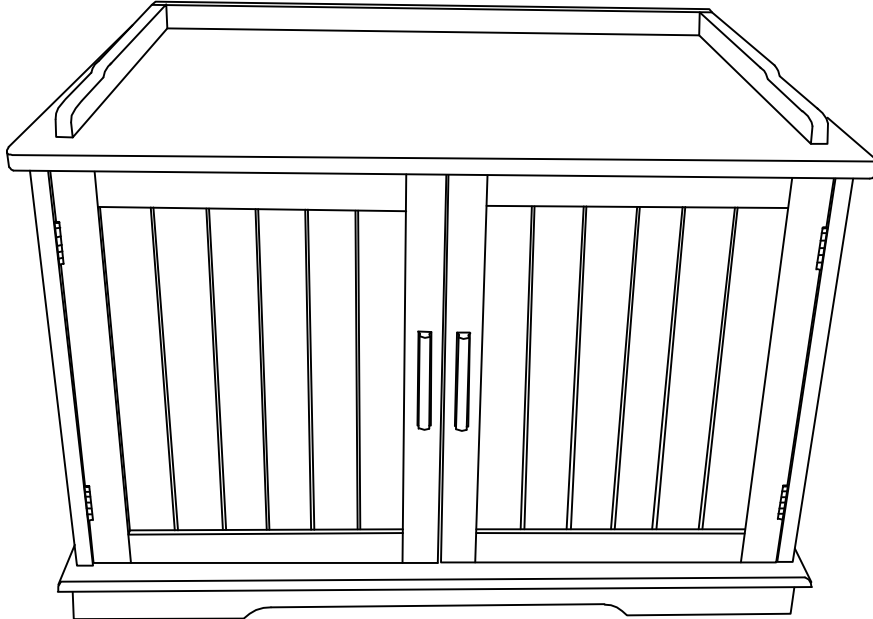
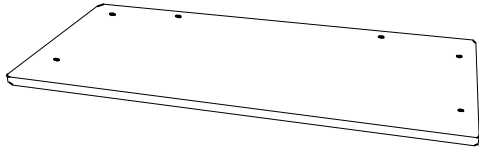


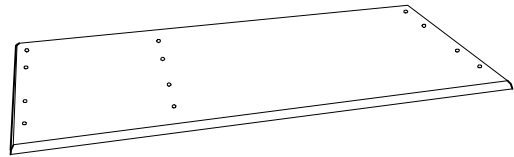
# ASSEMBLY INSTRUCTION



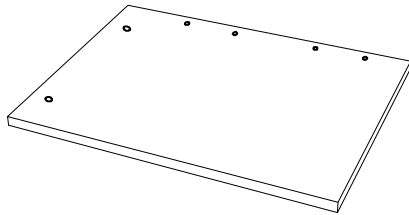
# Components



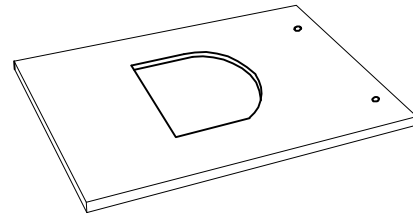
**A\*1PC**



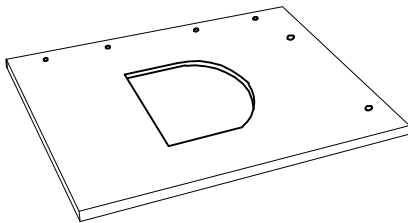
**B\*1PC**



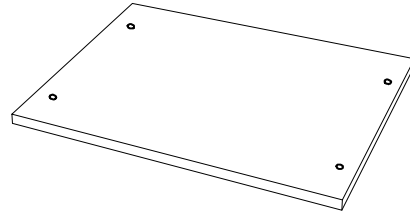
**C\*1PC**



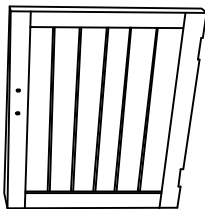
**D\*1PC**



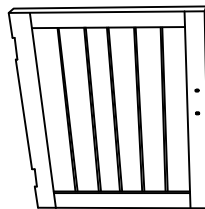
**E\*1PC**



**F\*1PC**



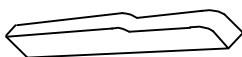
**G\*1PC**



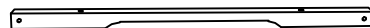
**H\*1PC**



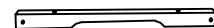
**I\*1PC**



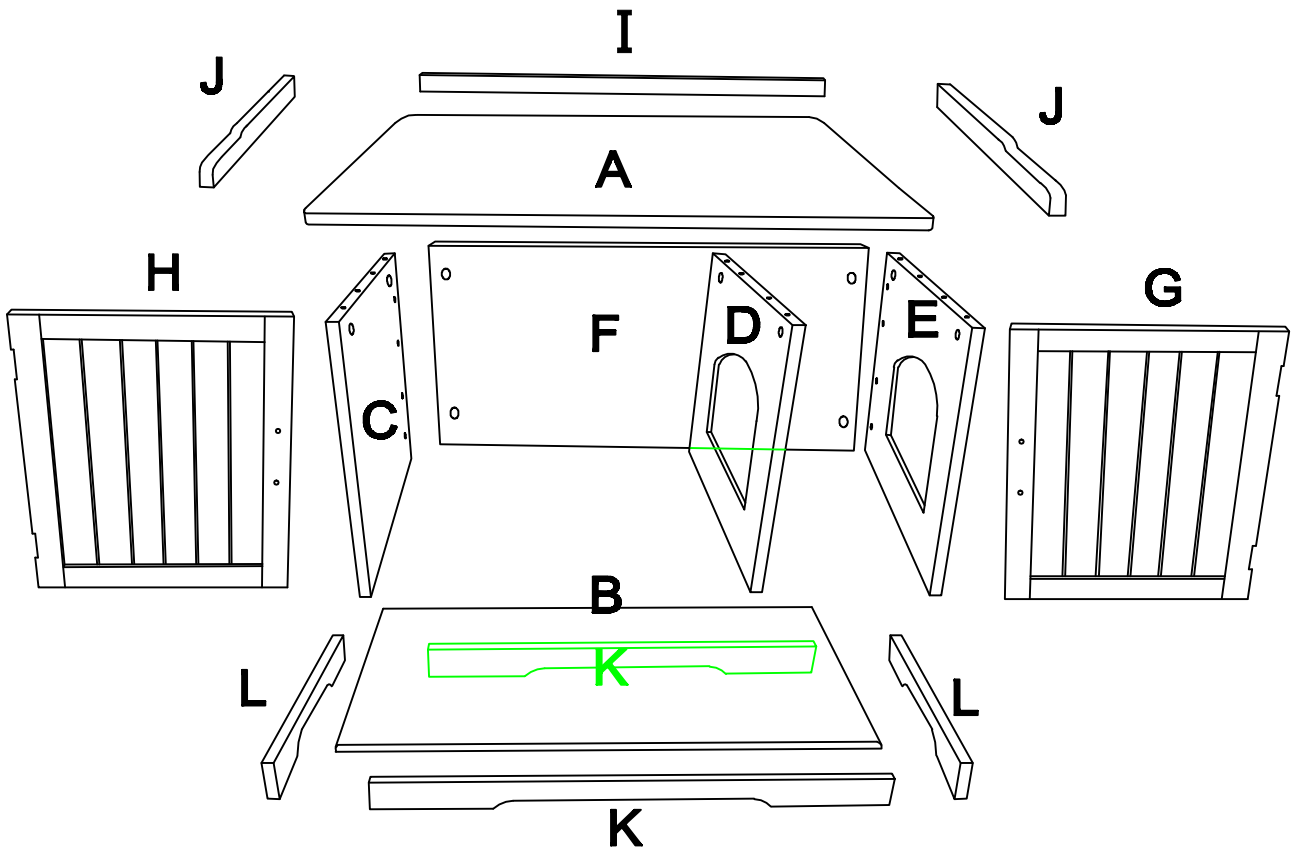
**J\*2PCS**



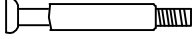



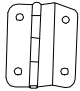
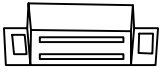
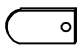




**K\* 2PCS**

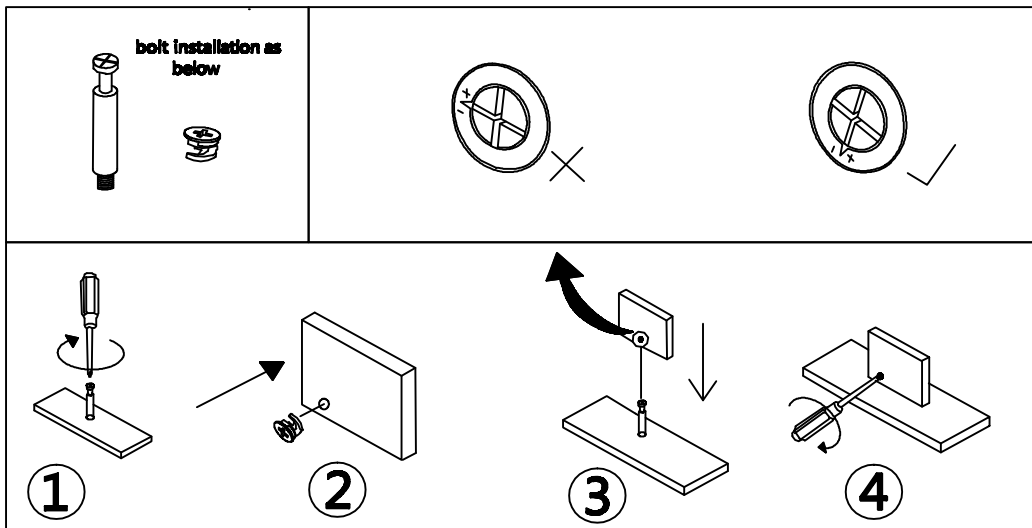


**L\* 2PCS**

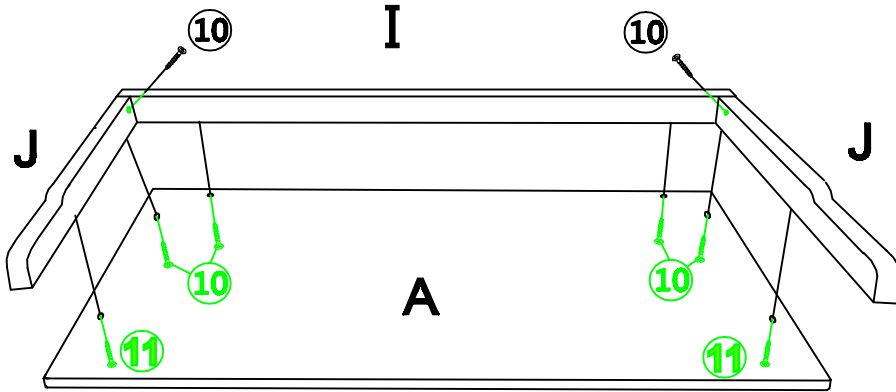
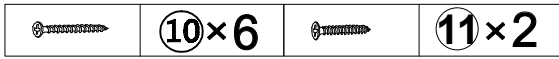


## Hardware

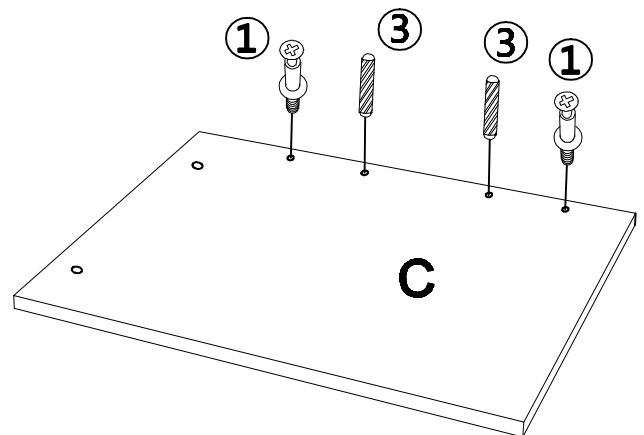
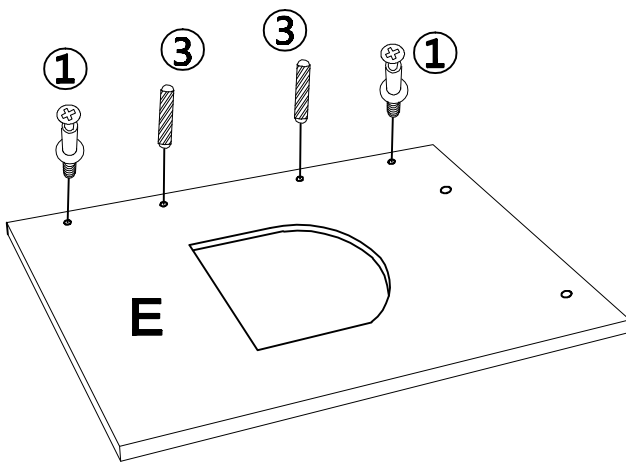
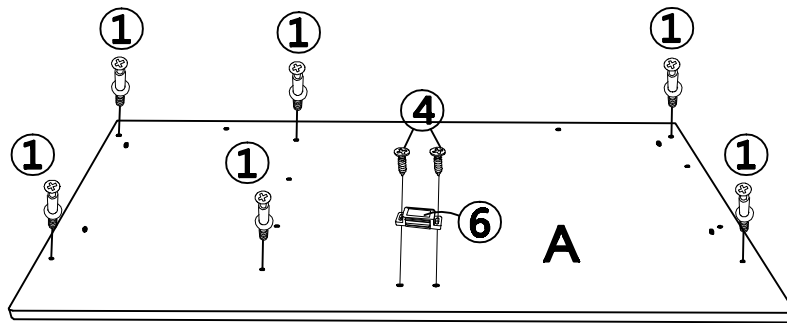
①  ×14	②  ×14	③  ×14	④  ×20
⑤  ×4	⑥  ×1	⑦  ×2	⑧  ×4
⑨  ×2	⑩  ×18	⑪  ×2	








# STEP 1

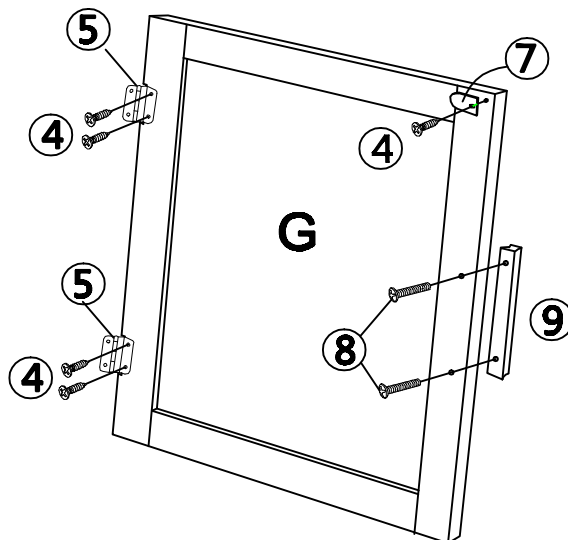
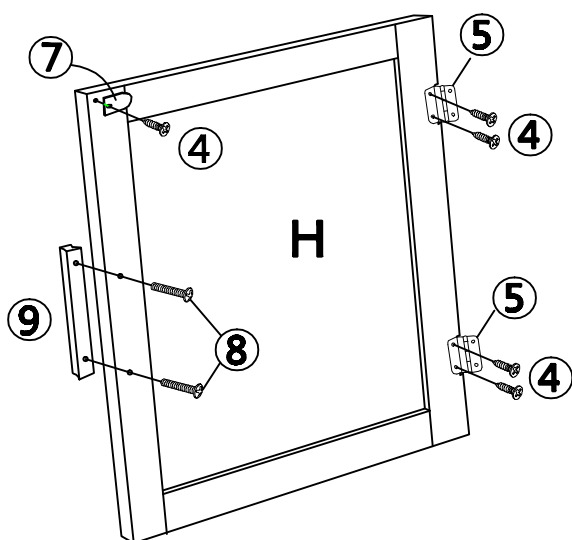


# STEP 2




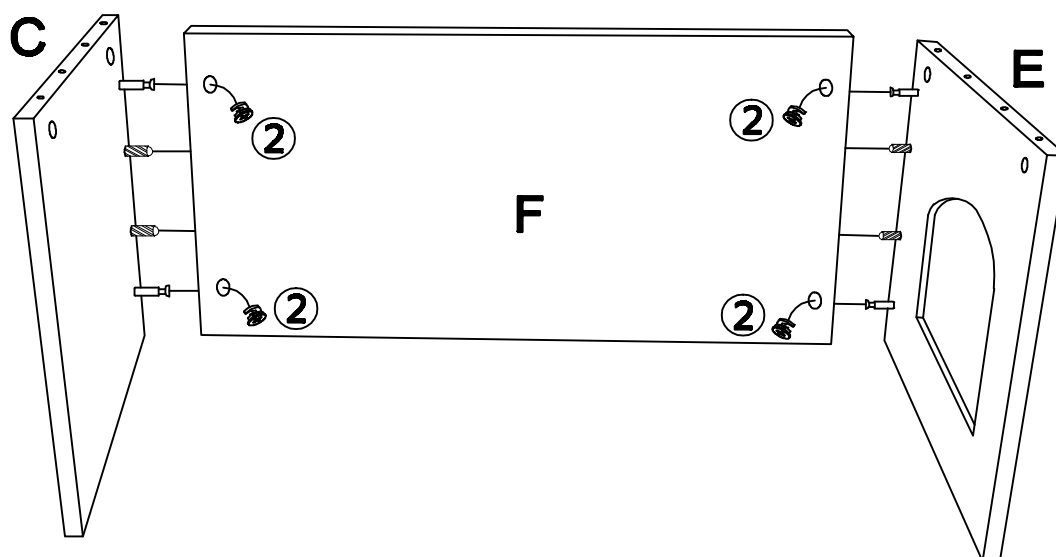
### STEP 3

	④×10		⑤×4		⑦×2
	⑧×4		⑨×2		

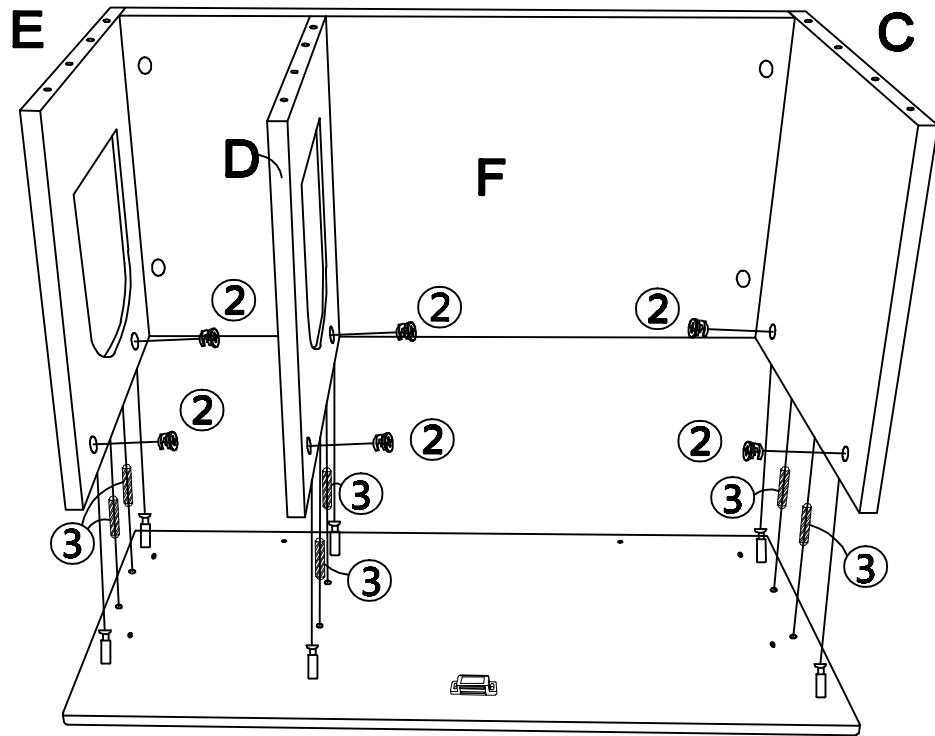


### STEP 4

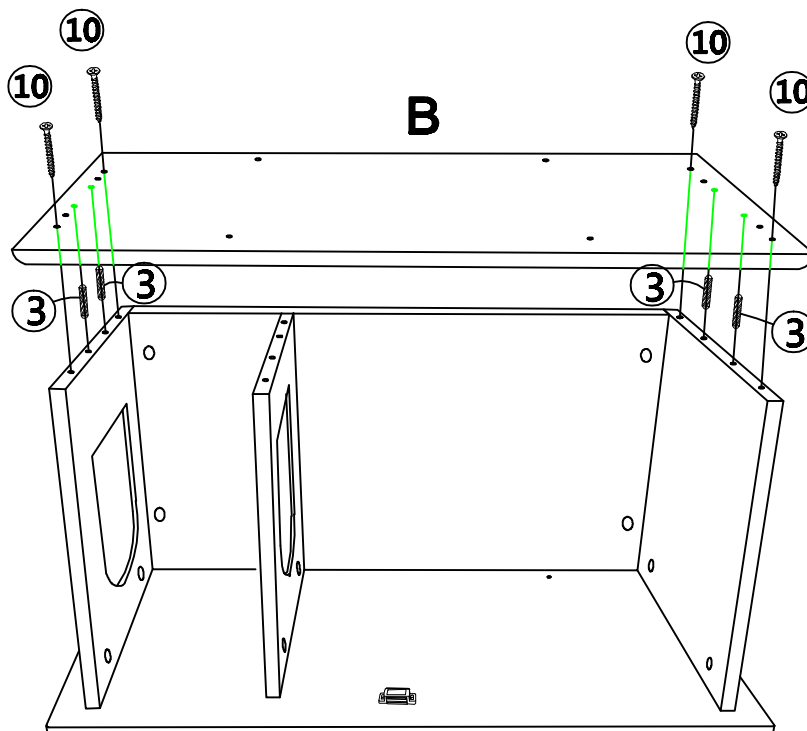
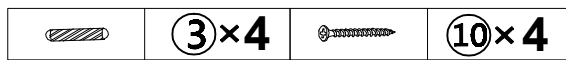
	②×4
---	-----



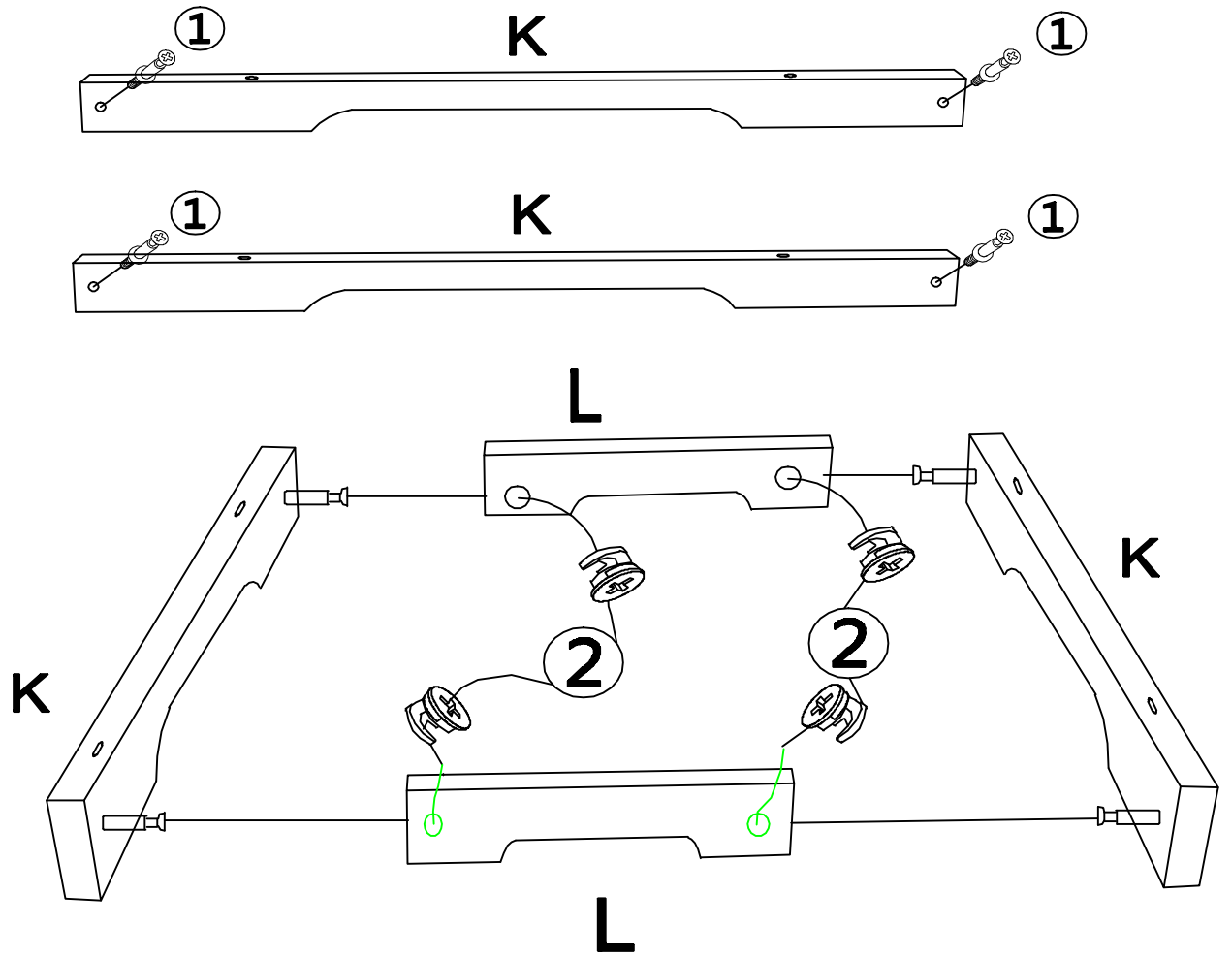
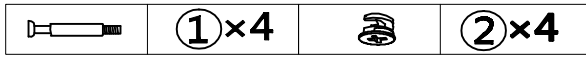
# STEP 5



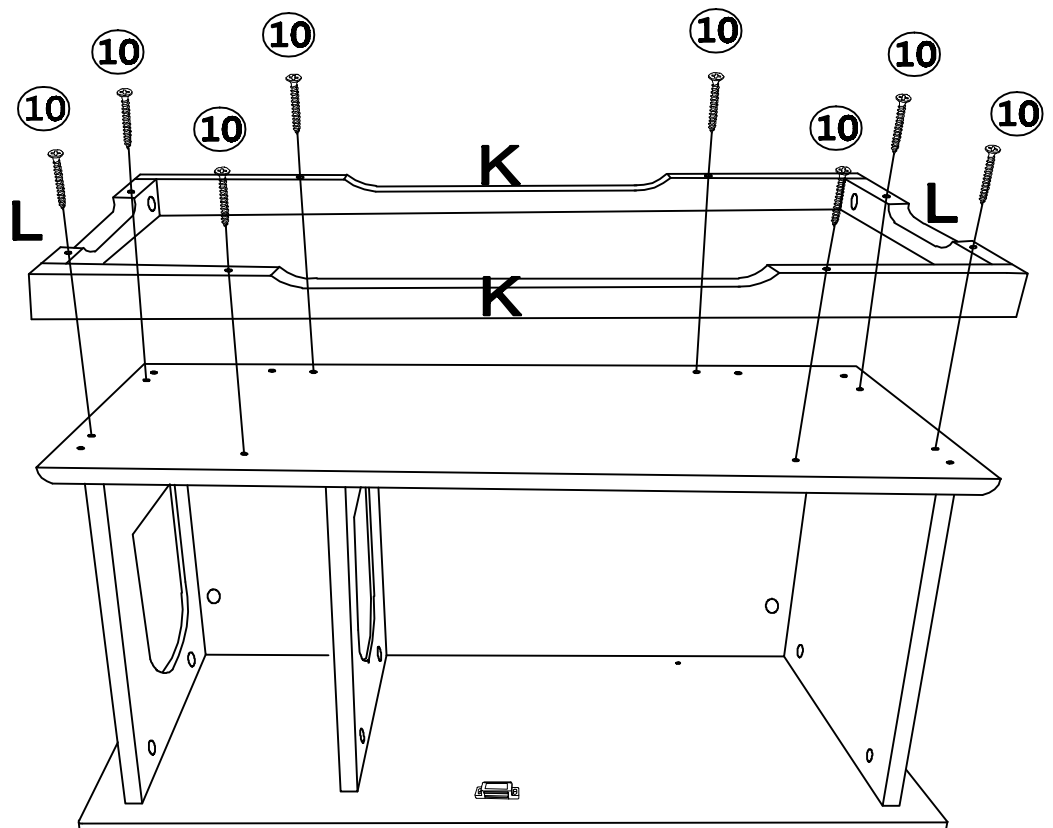
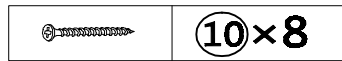
# STEP 6



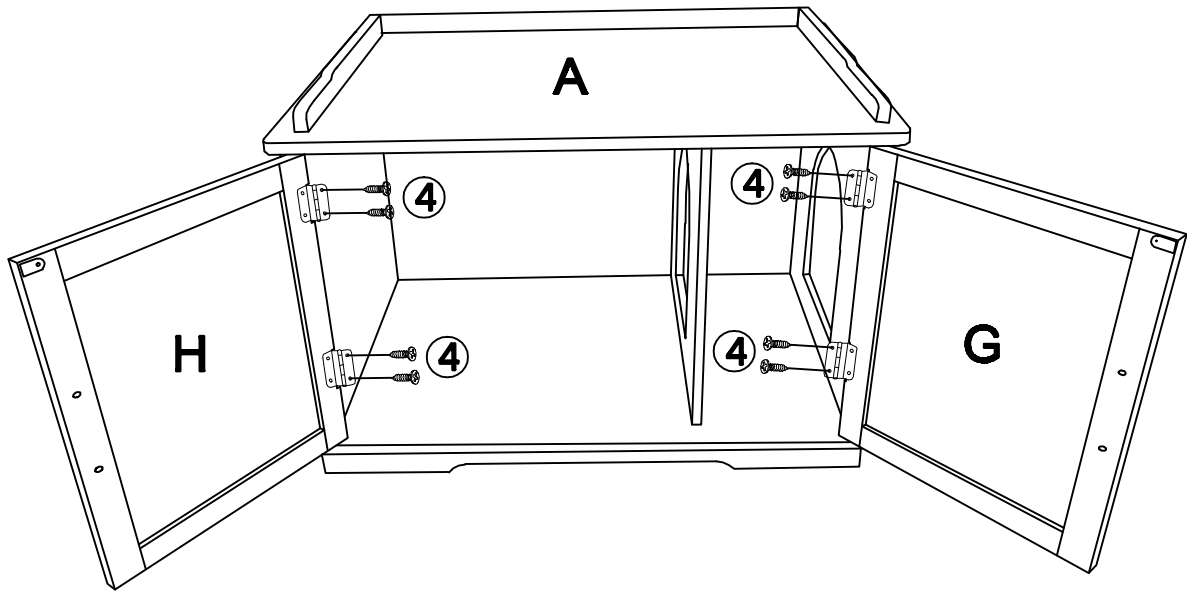
# STEP 7



# STEP 8



# STEP 8



**COMPLETE**

