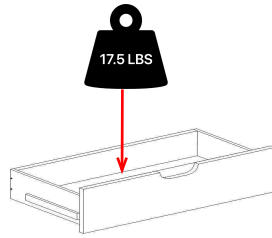
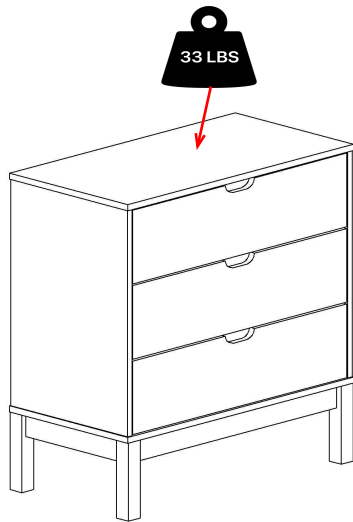
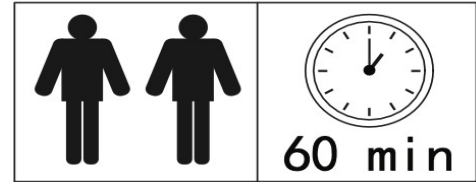


Thank you for your purchase!



3 Drawer Chest



ASSEMBLY INSTRUCTIONS

Before You Begin: (Phillips screwdriver required, not included)

Please identify all component parts and hardware pieces required before you begin. Carefully remove all of the components from the packaging and set aside for assembly. Assemble on a soft surface to prevent scratching during assembly.

Caution:

Tighten all components securely before use. Failure to do so may result in personal injury.

DO NOT use any sharp objects to open plastic wrapped components as damage to product or components may result.

Warning:

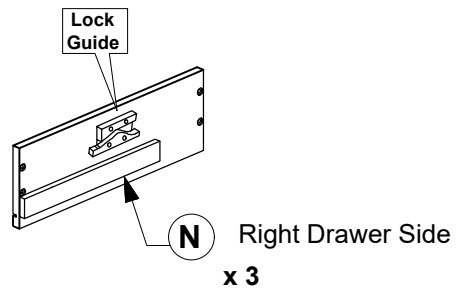
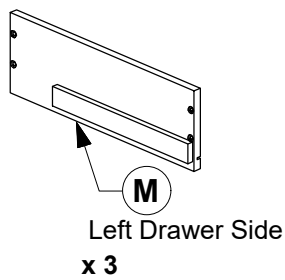
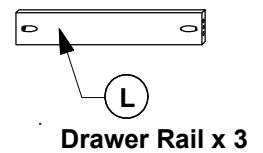
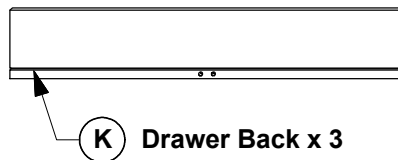
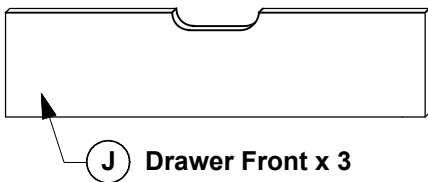
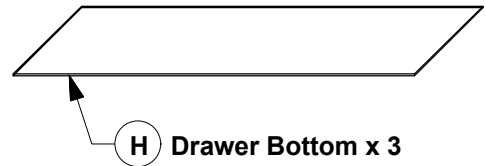
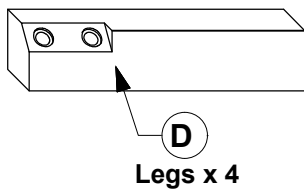
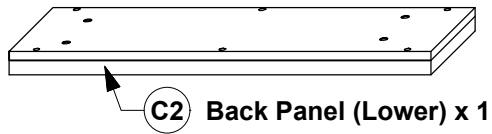
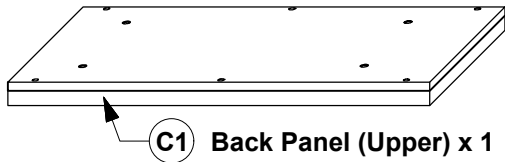
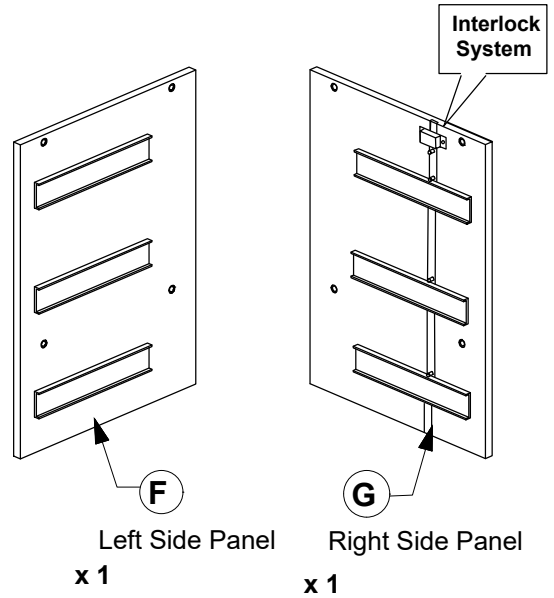
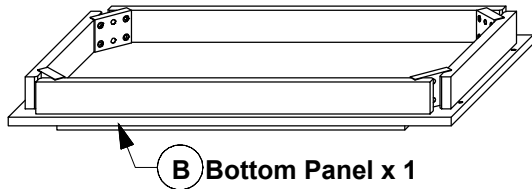
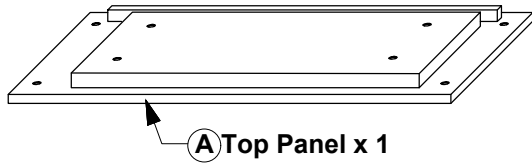
CHOKING HAZARD - Small Parts. Adult Assembly Required.

DO NOT ALLOW CHILDREN TO CLIMB ON FURNITURE

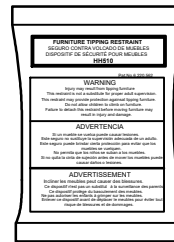
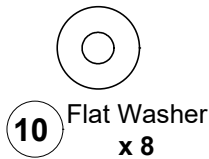
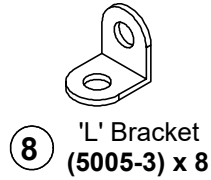
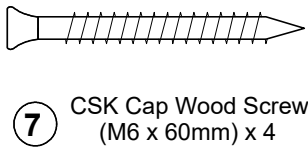
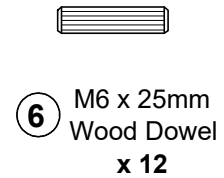
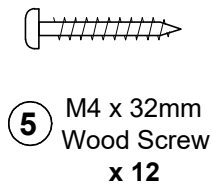
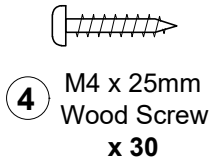
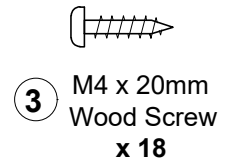
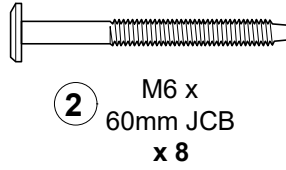
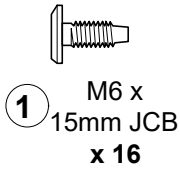
Serious or fatal injuries can occur from furniture tipping over. You must install Tipping Restraint Hardware (where included) to help prevent the unit from tipping and causing accidental injury, instability, death or damage. The tipping restraint is intended only as a safety measure, it is not a substitute for proper adult supervision.

To help prevent furniture from tipping over it must be permanently attached to the wall. Anti-Tip Safety Wall Straps suitable for the unit weight and wall materials (if not included) should be purchased and installed.

Parts List

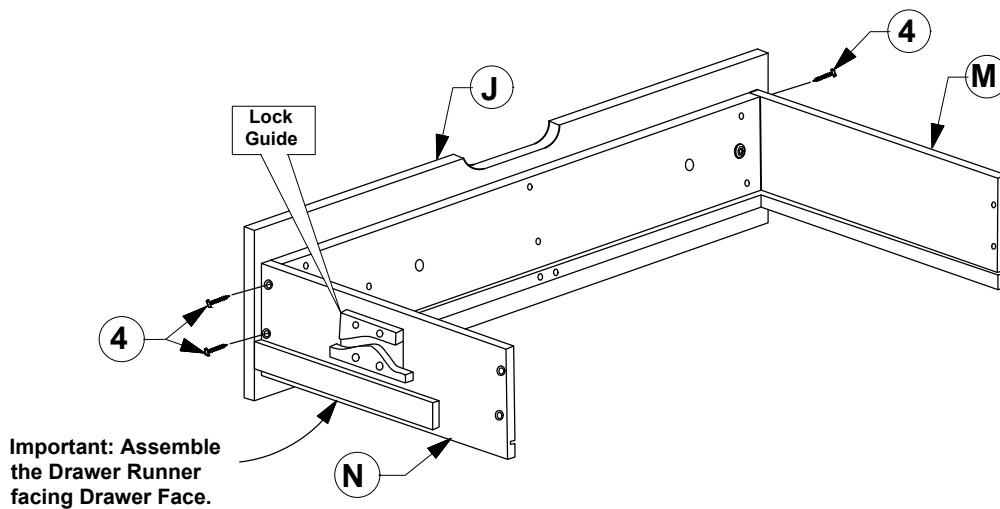


Hardware List

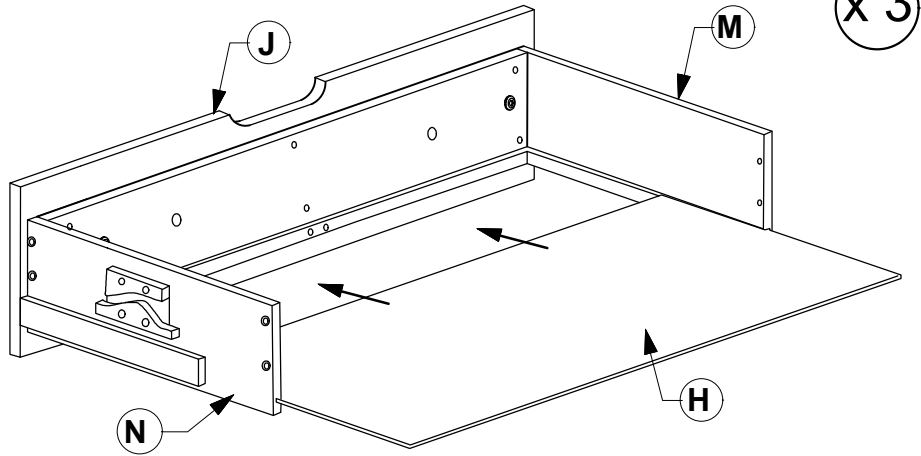


① Assemble the Drawer Sides (M & N) to the Drawer Face (J).

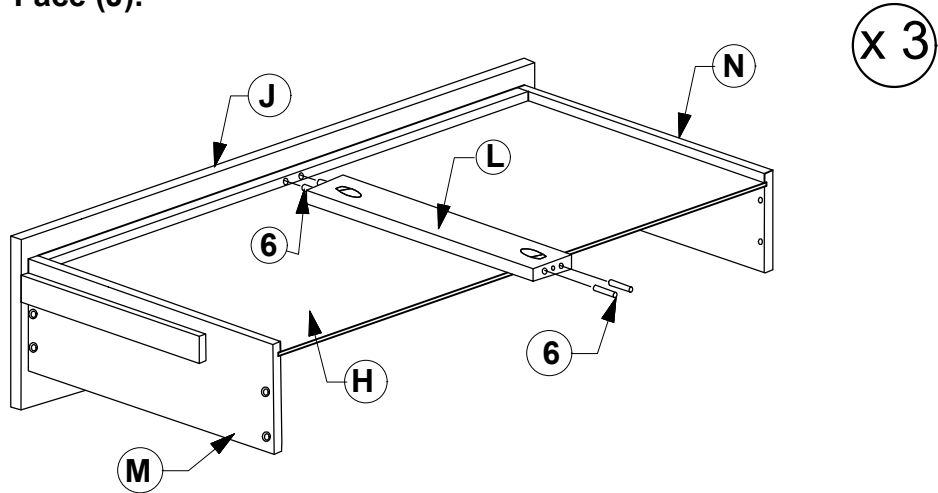
x3



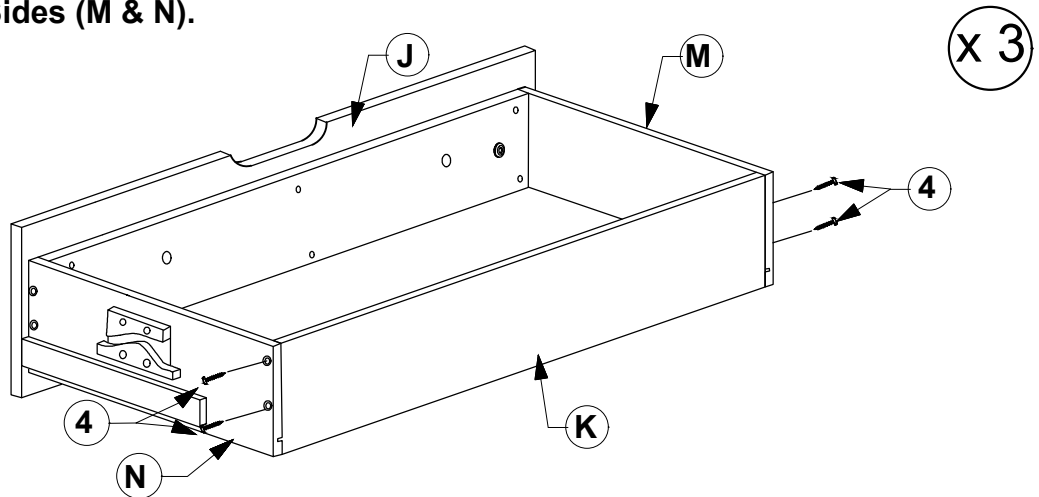
- ② Slide the Drawer Bottom (H) into the groove on the Drawer Sides (M & N).



- ③ Turn the Drawer over assemble the Drawer Rail (L) to the Drawer Face (J).

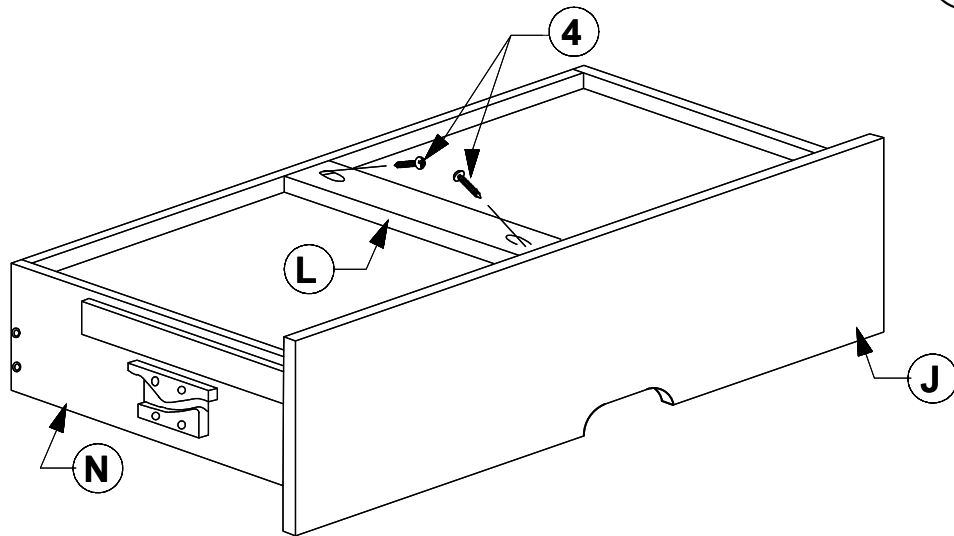


- ④ Turn the Drawer over assemble the Drawer Back (K) to the Drawer Sides (M & N).

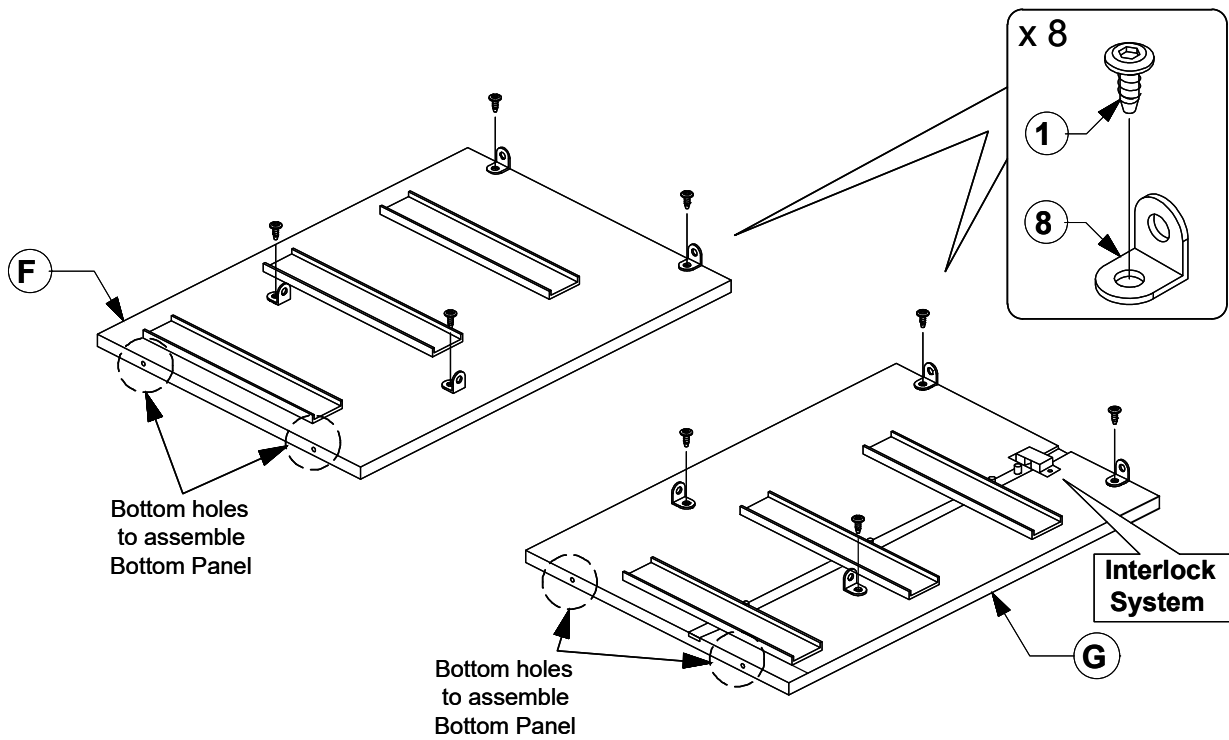


5 Turn the Drawer over to fit angled 25mm Wood screws (4) to the Drawer Rail (L).

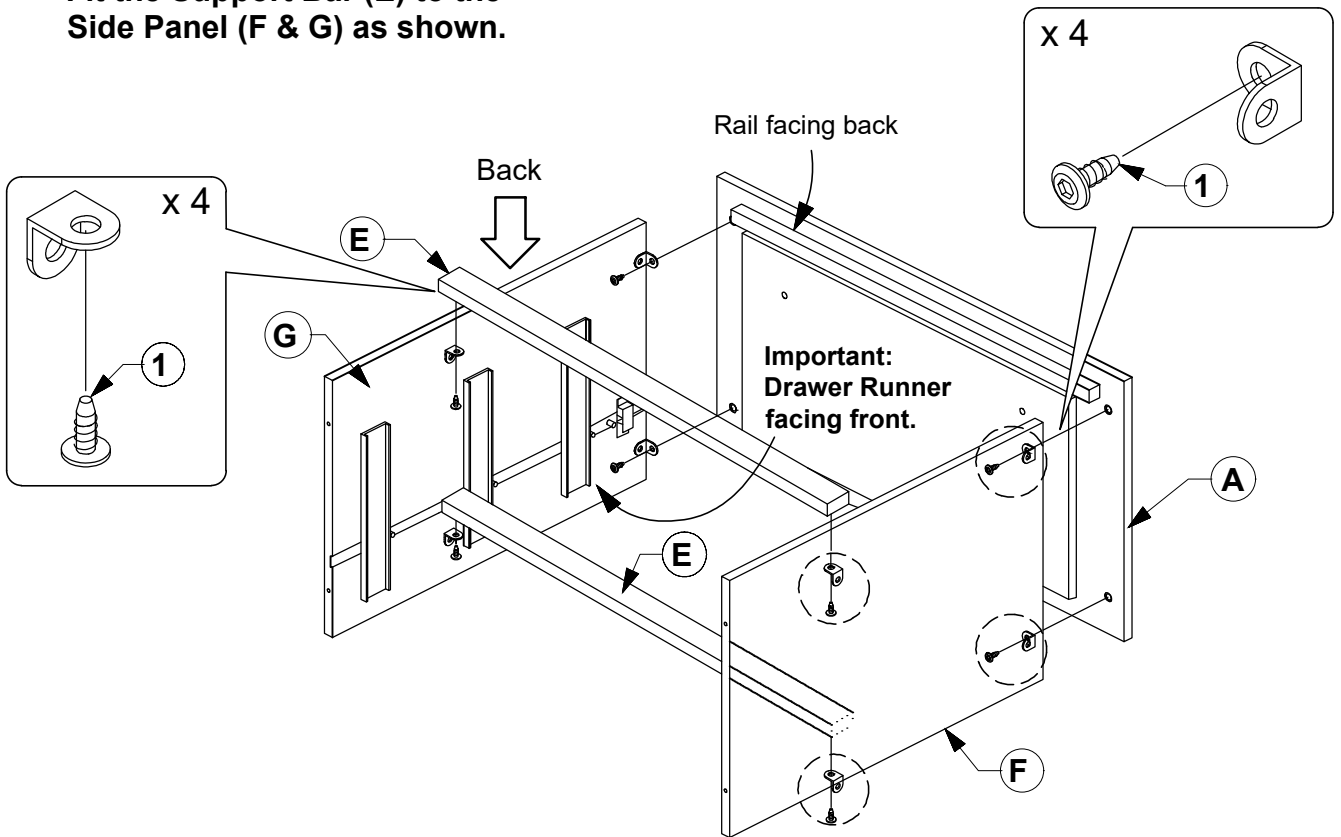
x 3



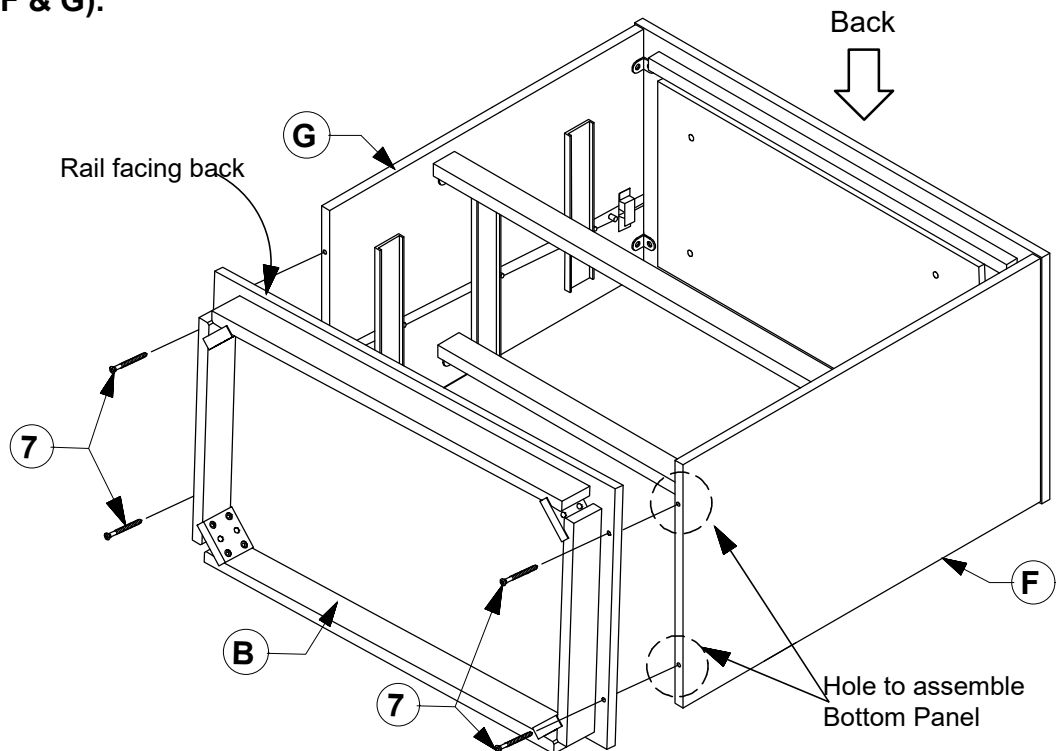
6 Fit the 'L' Bracket to the Side Panel (F & G).



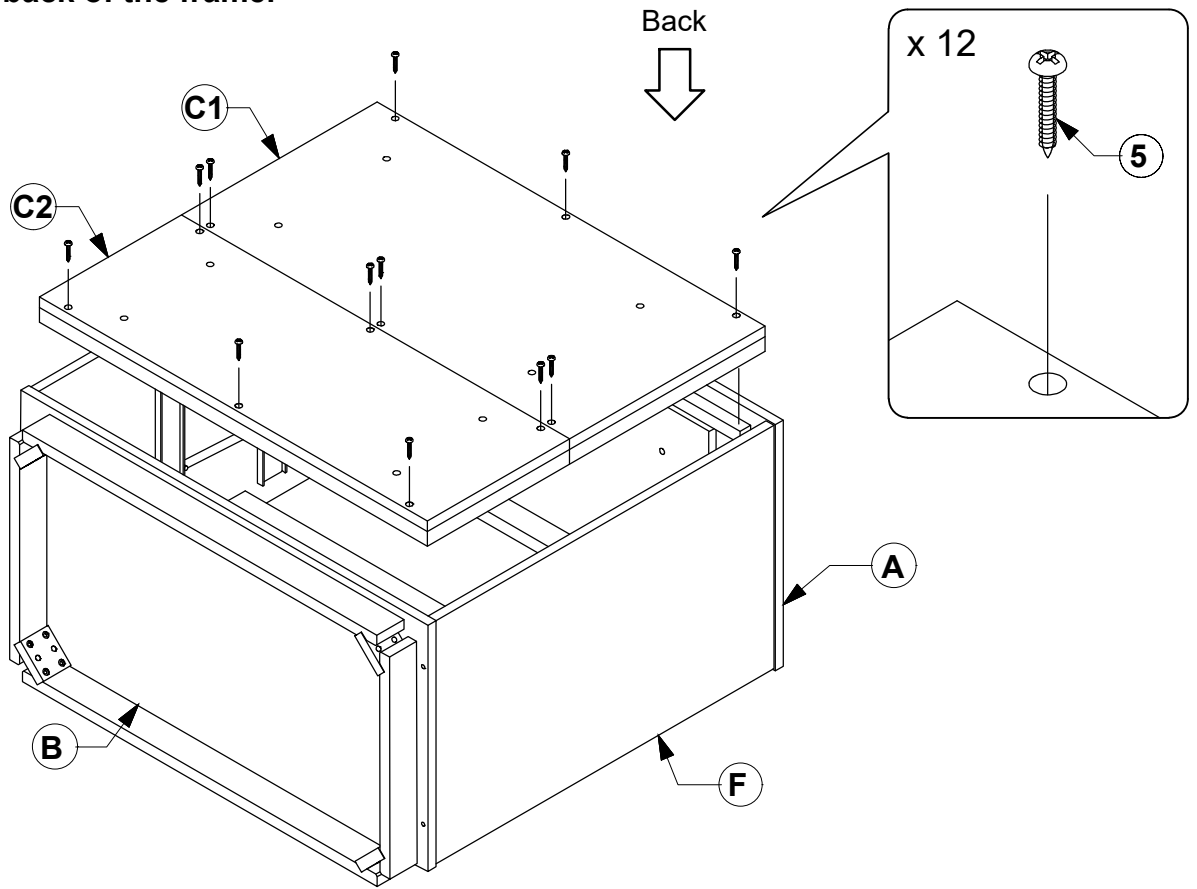
- 7 Assembled the Top Panel (A) to the Side Panel (F & G).
Fit the Support Bar (E) to the Side Panel (F & G) as shown.



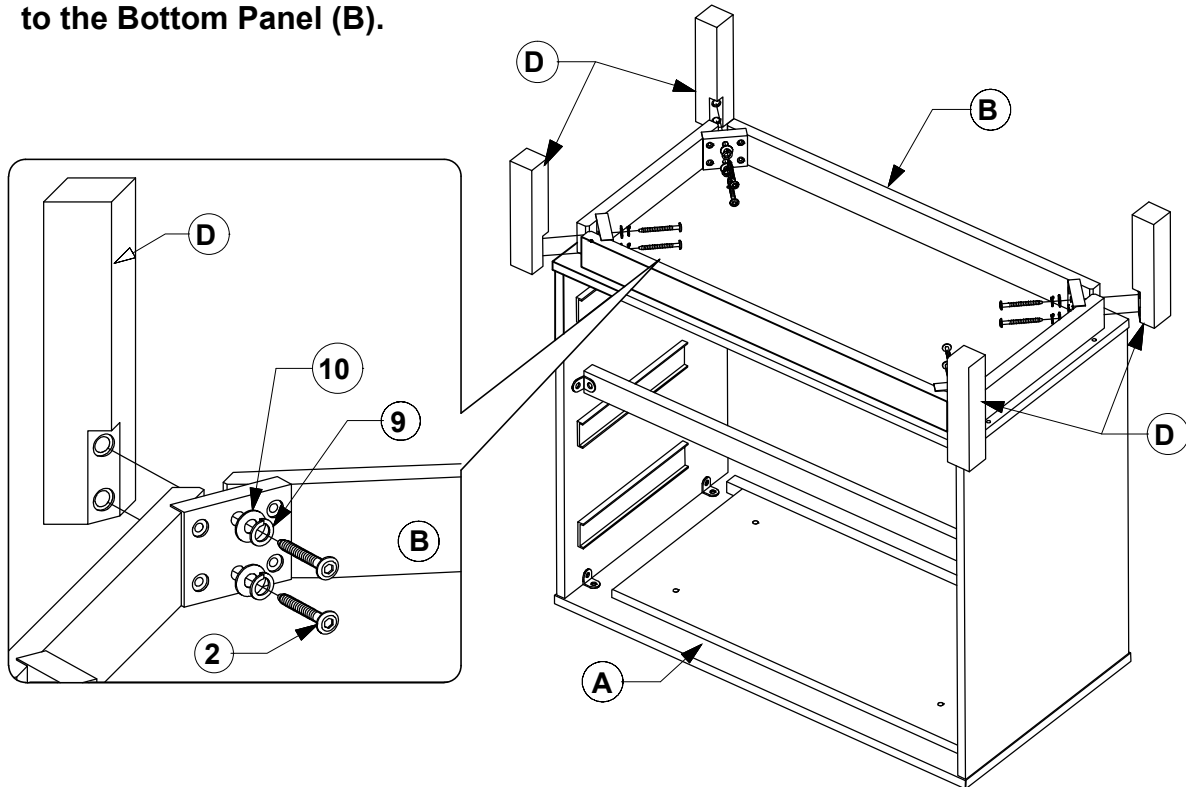
- 8 Assembled the Bottom Panel (B) to the Side Panel (F & G).



9 Attached the Back Panel (C1 & C2) to the back of the frame.

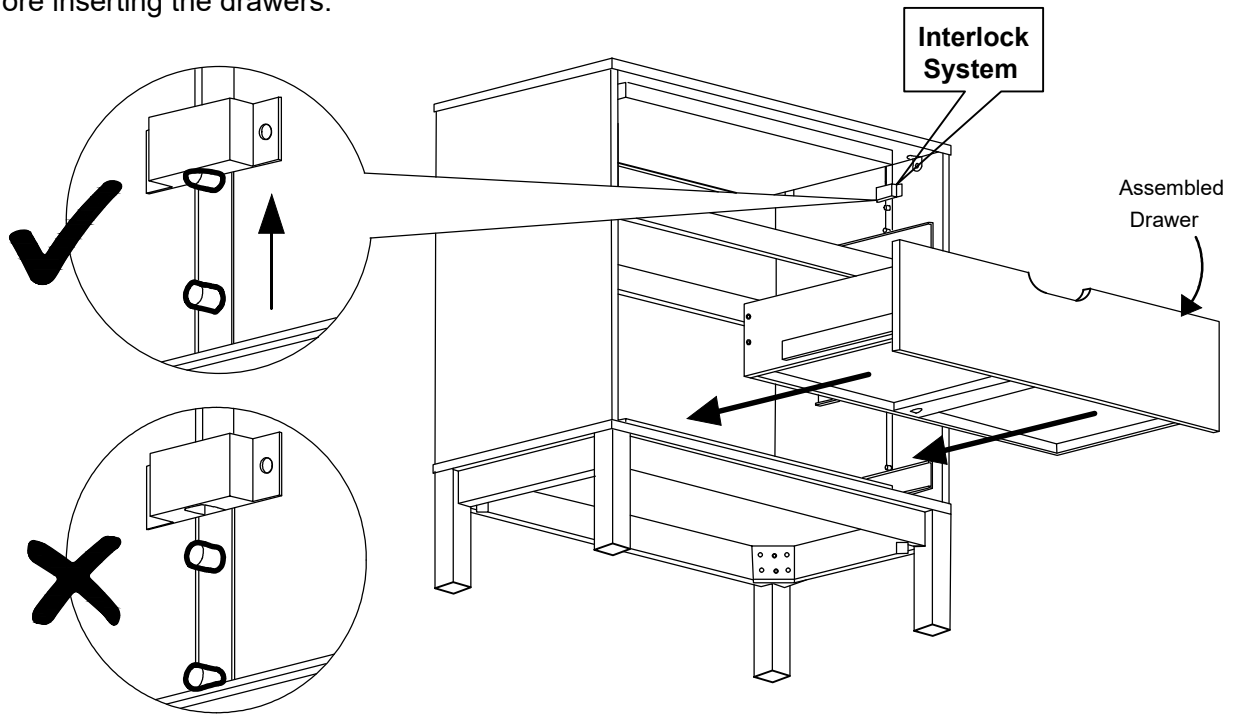


10 Turn the chest over to fit the Post (D) to the Bottom Panel (B).



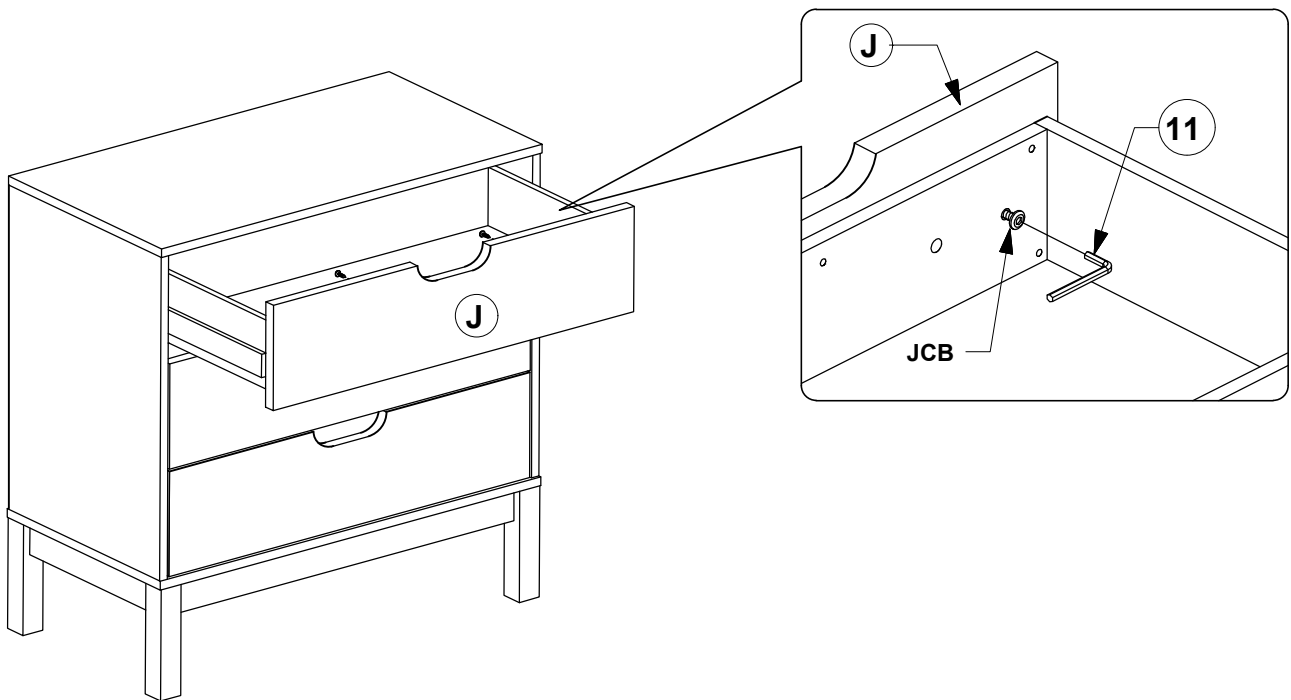
11 Install the Drawer.

.Push the Interlock bar **upwards** before inserting the drawers.

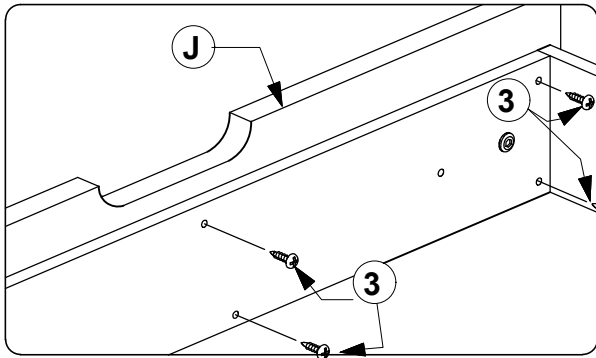


12 Fit and adjust the Drawer Face (J).

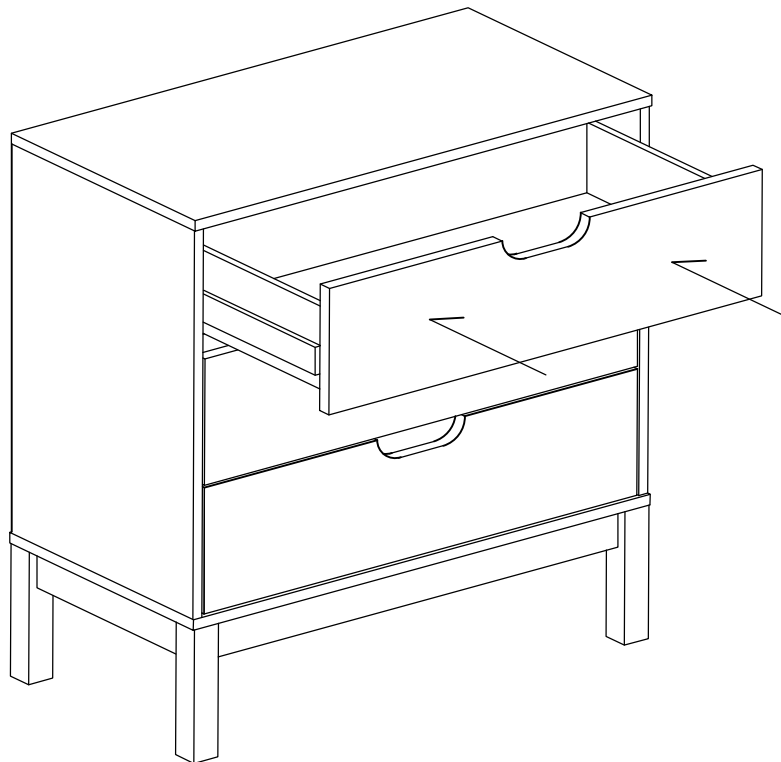
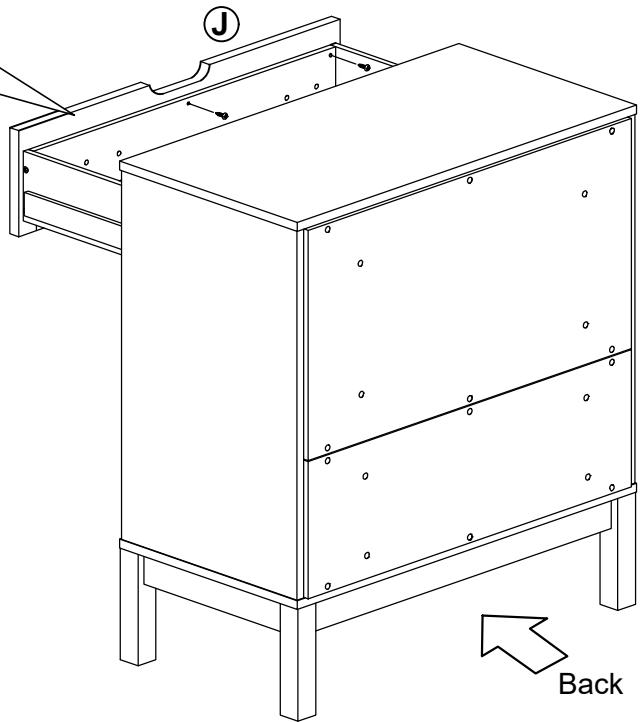
* NOTE: Before fitting the Wood Screws .
Loosen the JCBs on the Drawer Face if
the face needs alignment .



13 After the Drawer Faces (J) are aligned, secure with wood screws.
THIS STEP MUST ONLY BE DONE LAST.

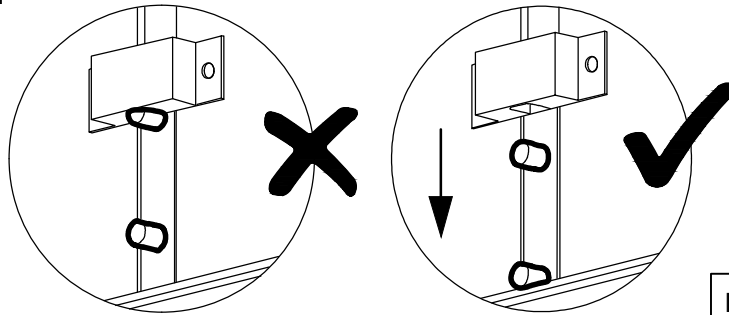


* NOTE: Only one Drawer can be open at a time.

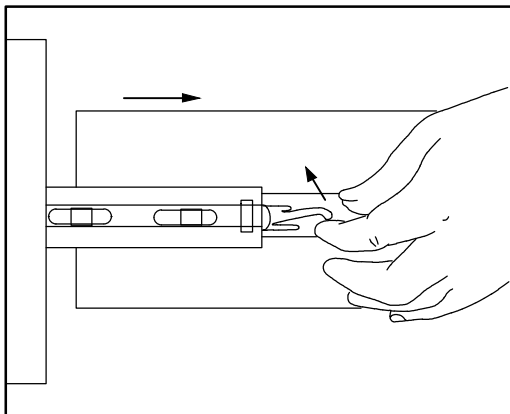
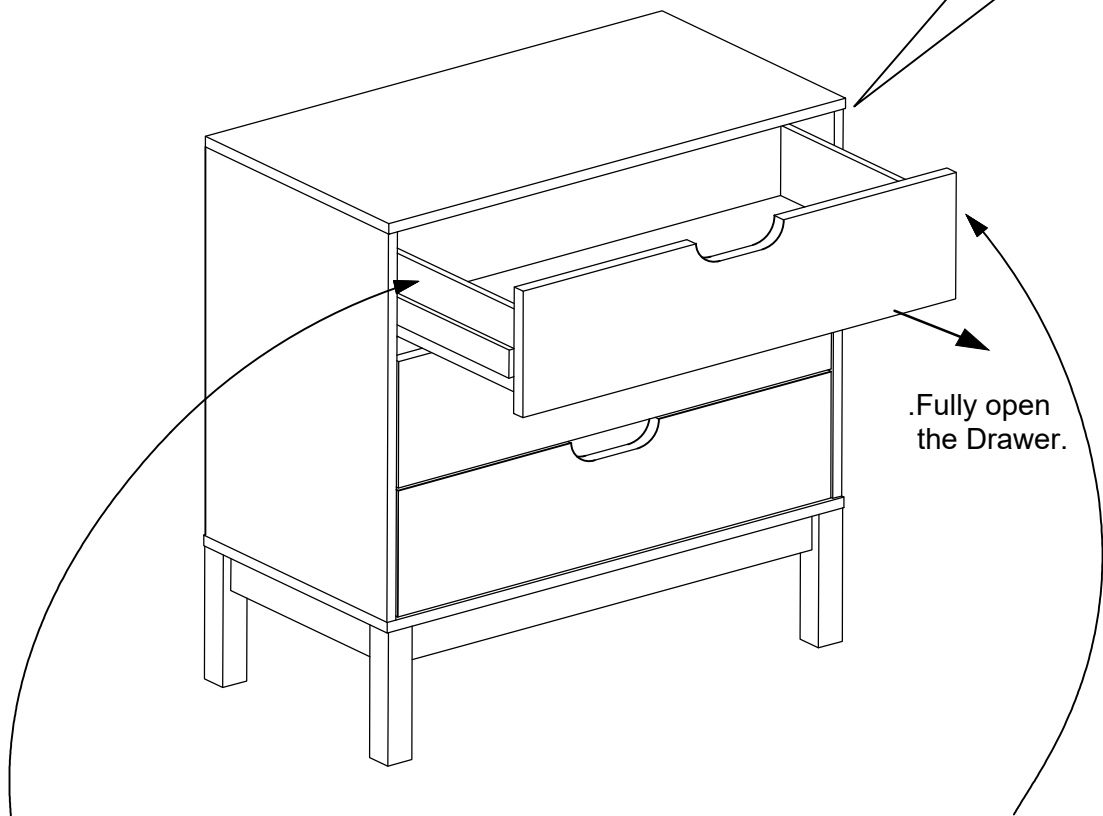


14 Remove the Drawers.

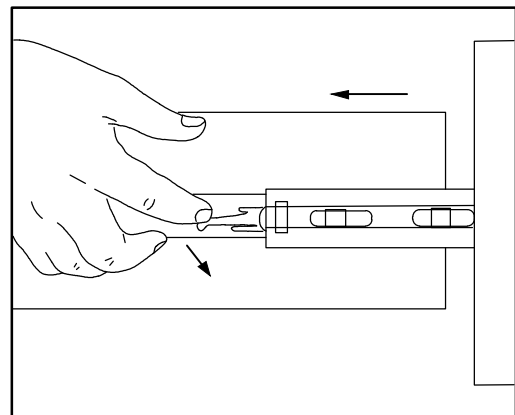
. After removing the top drawer, push the interlock bar **down**. Then remove the lower drawers.



Interlock System



• Lift the **LEFT** side clip up.

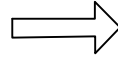
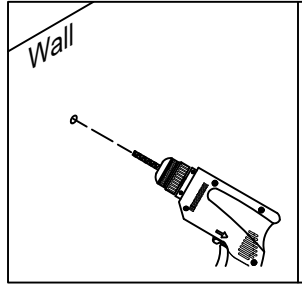


• Push the **RIGHT** side clip down.

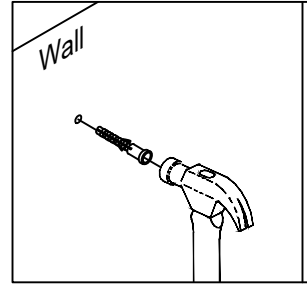
15



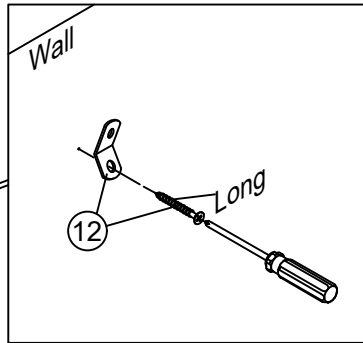
Step 1



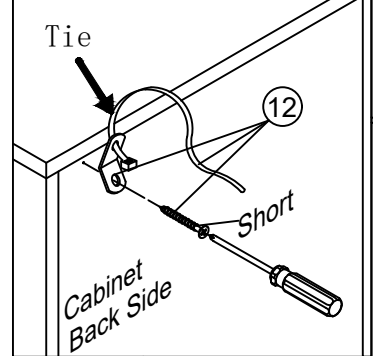
Step 2



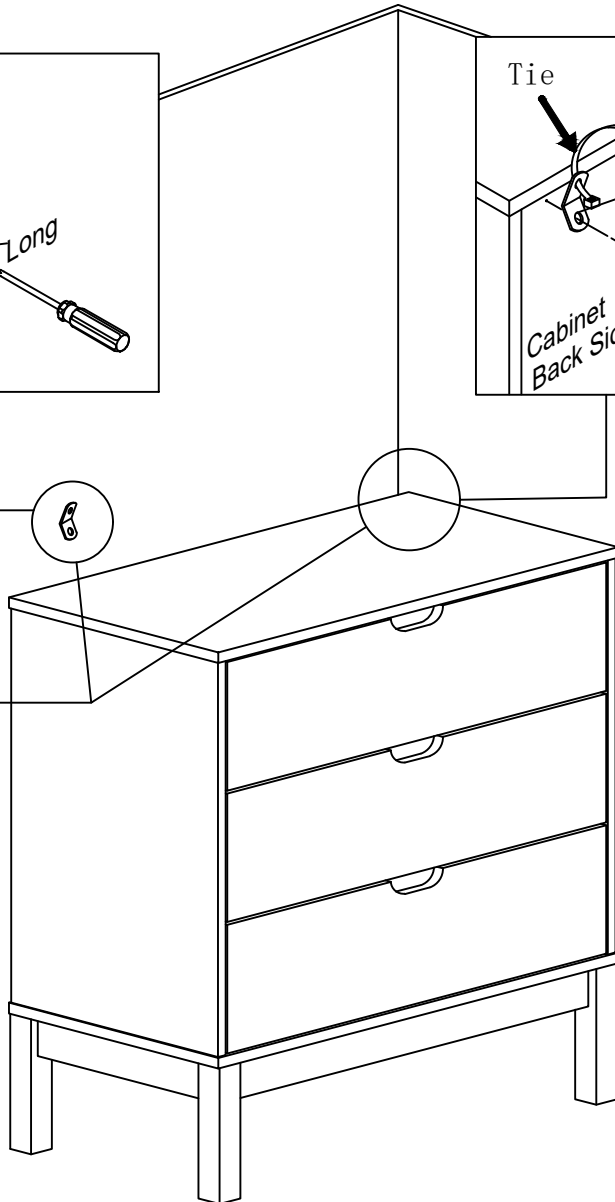
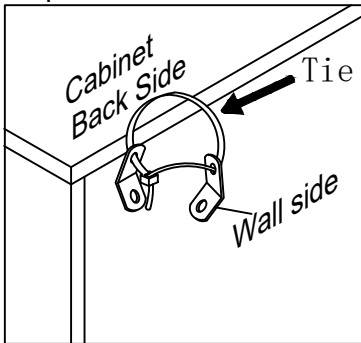
Step 3



Step 4



Step 5



Quality and Safety Guidelines:

- Please follow the static and dynamic weight capacity limits provided on this item. If you are unsure of the weight capacities for this product, email us
- Please use this item on a stable, level surface only. All legs, feet and all parts of the base of this item should contact the flooring surface when in use. Do not use this item if any instability is detected.
- Please install and use anti-tipping devices/wall anchor kits as instructed by the assembly instructions. Serious or fatal crushing injuries can occur from tipping furniture. The wall anchor kit is not a substitute for proper adult supervision. Use of the tip over restraints may only reduce, but not eliminate the risk of tip over.
- The back panel must be used to make sure the unit is sturdy and safe.
- Never push, pull or drag this product.
- For maintenance instructions and replacement parts, please email us
- This item is intended as a dresser only, do not climb, hang, stand or sit on this item. Do not climb, pull or hang on drawers. Do not use this item as a TV stand. Do not place heavy objects on top of this product. Never open more than one drawer at a time.
- Keep fingers away from the hinge line clearance and away from all edges of the drawers when opening and closing the drawers to avoid pinching.
- Place heaviest items in the lowest drawers.
- The item is intended to be used indoors.
- Please inspect this product regularly to make sure there are no damaged or worn parts. Also inspect to make sure all hardware is tightened correctly and securely. For inspection instructions, please email us
- If any parts are damaged or worn, please stop using the product. Repair this product with manufacturer supplied parts only.
- For product longevity, product safety and product integrity, protect from wet and humid weather or other wet, humid or moist conditions and store indoors in a dry location. For additional storage and usage instructions, please email us