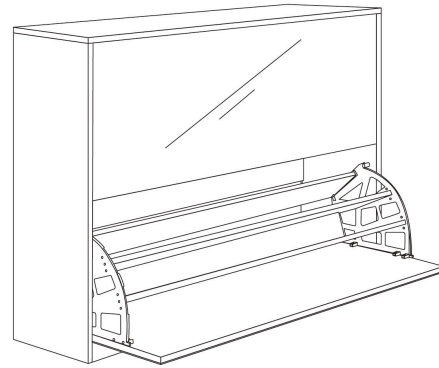


# Wooden shoes cabinet



Two adults must be required. Before you begin, please follow Assembly Instruction step by step.



### CAUTION:

This unit must be fixed to a solid wall by falling prevention screws. Failure to do so may result in a risk of the cabinet falling over and possible injury/damage to persons or property.

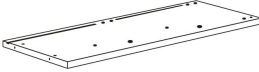


### Maintenances:

1. Keep the cabinet door closed when not in use.
2. Use mild furniture cleaner to clean the cabinet.
3. Open the door gently to avoid falling contents.















### Tools Required



### MDF Panel parts

	① 2pcs 715*298*15mm		⑤ 1pc 800*60*12mm
	② 1pc 831*298*15mm		⑥ 2pcs 795*318*15mm
	③ 1pc 800*76*12mm		⑦ 2pcs 806*294*5mm
	④ 1pc 800*76*12mm		⑧ 8pcs 789*135*12mm

### Hardware fitting

	⑨ 4pcs		3.5*10mm ⑩ 24pcs		4.0*10mm ⑪ 4pcs		3.5*16mm ⑫ 12pcs		⑬ 4pcs		⑭ 4pcs		⑮ 4pcs
	⑯ 14pcs		⑰ 14pcs		⑱ 4pcs		⑲ 2pcs		⑳ 2pcs		㉑ 2pcs		㉒ 2pcs

## Assistance may be required for assembly of this product

Please read the instructions carefully before assembling the cabinet.  
Two adults are required for assembly of this product on a clean, flat surface without a rough surface that could scratch the panels.

