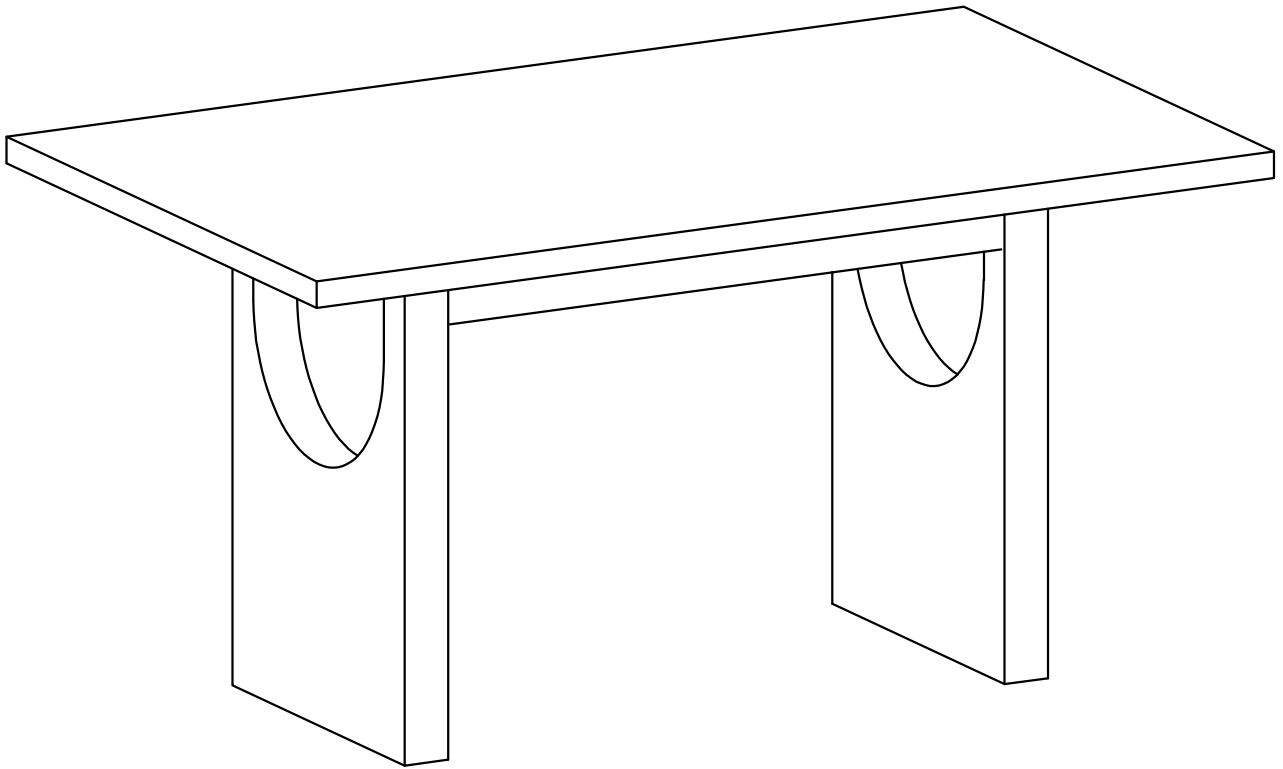


ASSEMBLY INSTRUCTION

Dining Table



ASSEMBLY INSTRUCTION

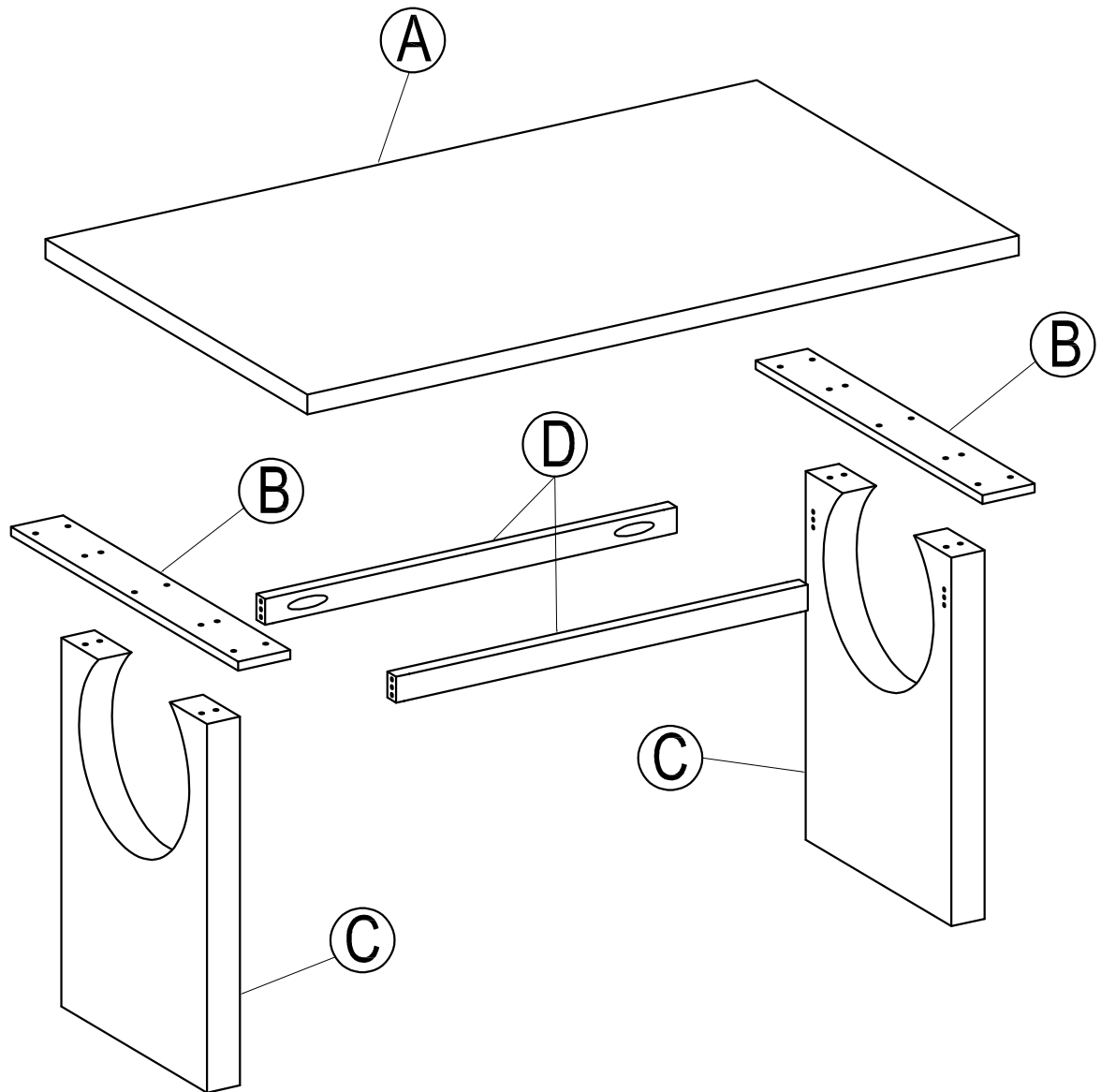
Please read these instructions fully before starting assembly:

1. Place all wooden parts on a clean and smooth surface such as a rug or carpet to avoid scratching the parts.
2. Kindly follow the assembly instructions step by step.
3. Do not tighten all screws and bolts until the stool is fully assembled.
4. Unscrew the protective plastique supports from the metal insert of the table legs before assembly.
5. Parts of the assembly will be easier with 2 people.

Care and maintenance:

Only clean using a damp cloth and mild detergent, do not use bleach or abrasive cleaners.

ASSEMBLY INSTRUCTION



ASSEMBLY INSTRUCTION

Part List

(A)

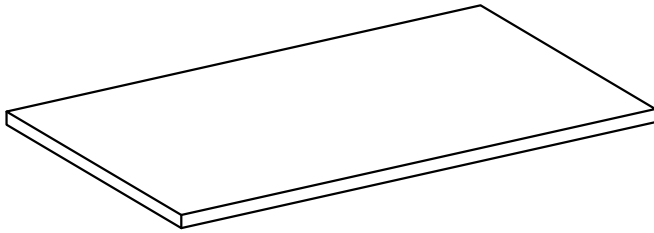
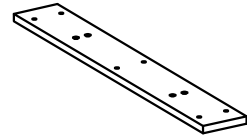


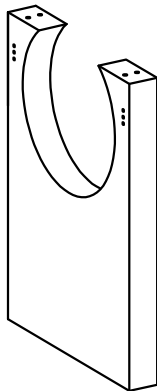
TABLE TOP (1 pc)

(B)



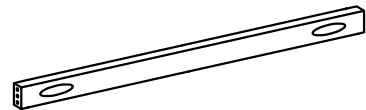
PANEL TOP LEG (2 pcs)

(C)



LEG (2 pcs)

(D)

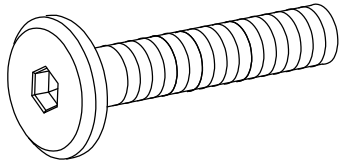


TOP STRETCHER (2 pcs)

ASSEMBLY INSTRUCTION

Hardware List

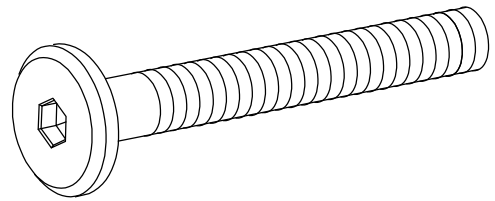
①



Ø 5/16" x 35 mm

BOLT (20 pcs)

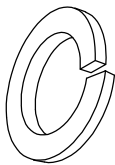
②



Ø 5/16" x 55 mm

BOLT (4 pcs)

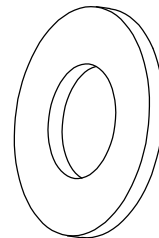
③



Ø5/16" x 13 mm

LOCK WASHER (24 pcs)

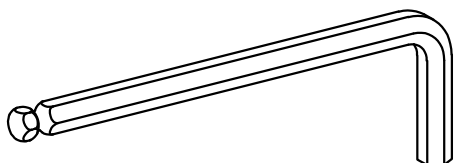
④



Ø5/16" x 19 x 2 mm

FLAT WASHER (20 pcs)

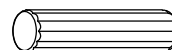
⑤



4 mm

ALLEN KEY (1 pc)

⑥

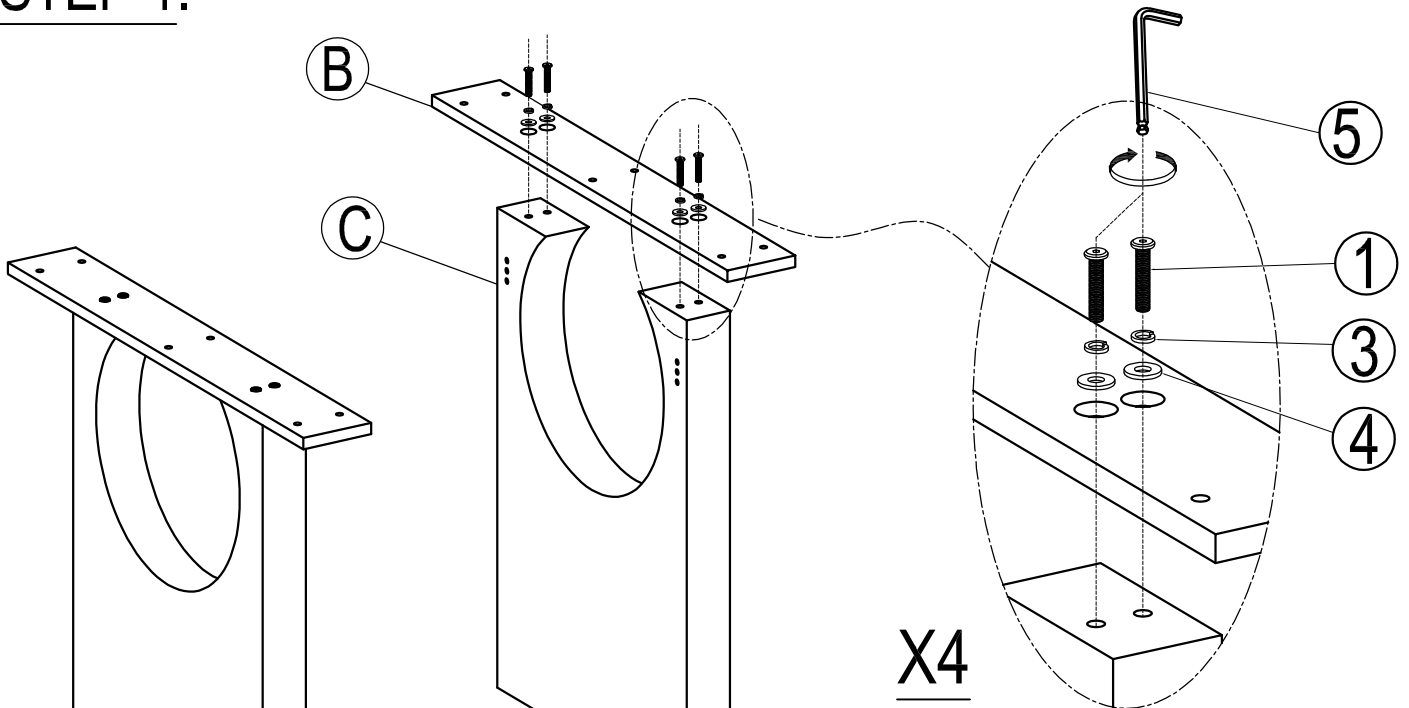


Ø8 x 30 mm

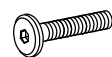



WOOD DOWEL (8 pcs)

ASSEMBLY INSTRUCTION

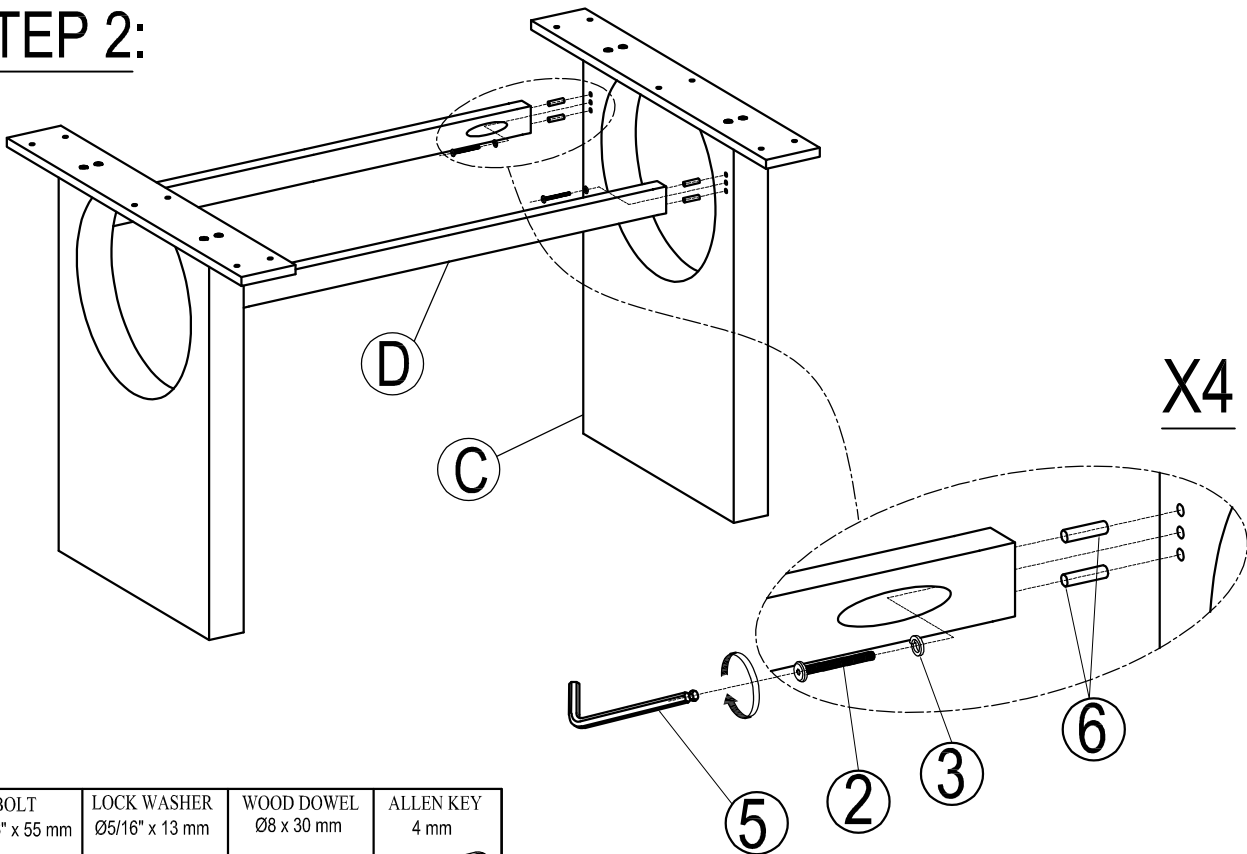
STEP 1:



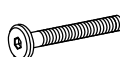



X4

BOLT Ø 5/16" x 35 mm	LOCK WASHER Ø5/16" x 13 mm	FLAT WASHER Ø5/16" x 19 x 2 mm	ALLEN KEY 4 mm
			
① x 8	③ x 8	④ x 8	⑤ x 1

STEP 2:

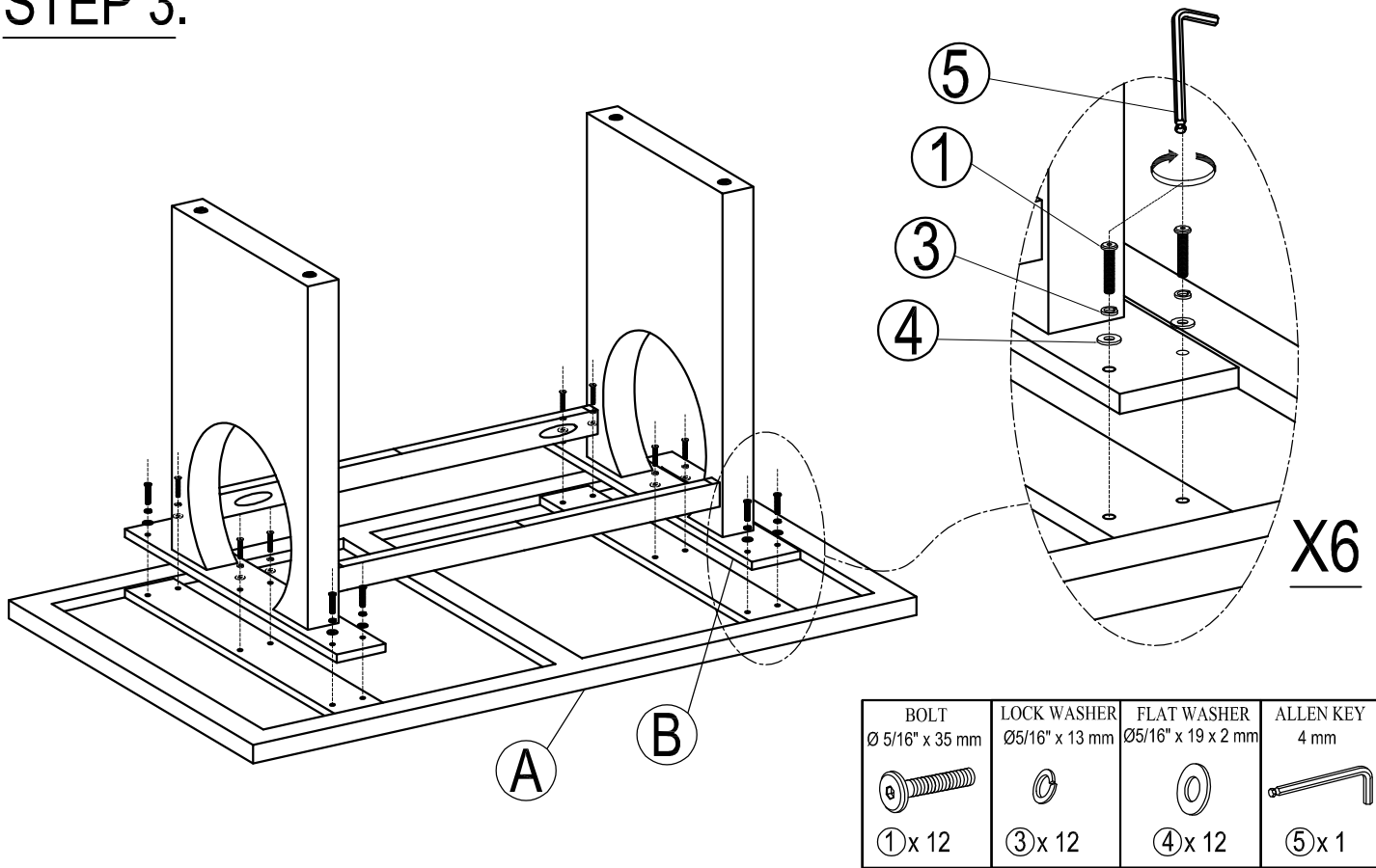


X4

BOLT Ø 5/16" x 55 mm	LOCK WASHER Ø5/16" x 13 mm	WOOD DOWEL Ø8 x 30 mm	ALLEN KEY 4 mm
			
② x 4	③ x 4	⑥ x 8	⑤ x 1

ASSEMBLY INSTRUCTION

STEP 3:



COMPLETE

