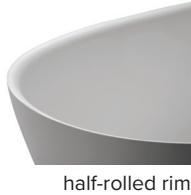
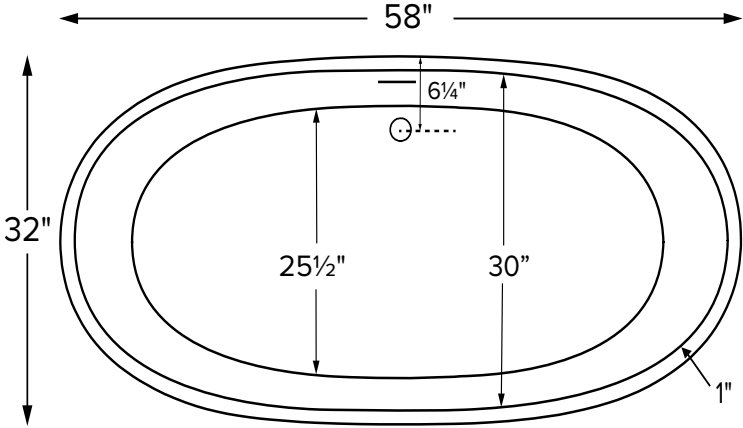


Elena

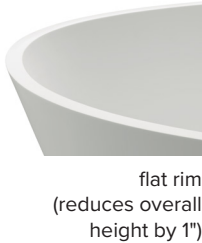
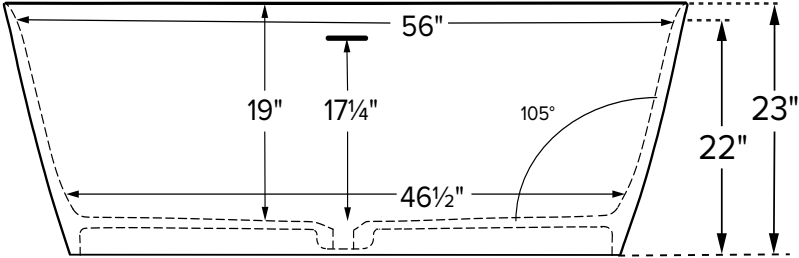


Features an integrated overflow and a half-rolled rim.  
Also available with tub cradle. [245C with Cradle](#)

MODEL 245
<b>245R</b> 58" x 32" x 23" <b>245F</b> 58" x 32" x 22"
FREESTANDING 75 gal to overflow
<b>SculptureStone®</b>
270 lbs / 122 kg soaker 300 lbs / 136 kg airbath
Filling this tub to the maximum may require an above average size or dedicated water heater.



Elena is available with a half-rolled or flat rim,  
Tub height will vary based upon features selected.



ELECTRICAL COMPONENTS & SPECIFICATIONS		
Required Electrical Service - 110 Volt		
Hydrotherapy Package	Components Included	GFCI
Air Massage	heated blower	1-15 amp
Electrical requirements may change with the addition of optional therapy components. See specific option details or installation information. CSA Certified C/US; ANSI Z124.1 and ANSI 112.19.7 and ANSI 112.19.7		

See the Installation & Operation Manual for more details.  
MTI's Customer Service: Monday-Friday 8am-6pm EST  
**800-783-8827** or [service@mtibaths.com](mailto:service@mtibaths.com)

**IMPORTANT ORDERING & INSTALLATION INFORMATION**

- Before ordering or installing, please consider future access to equipment.
- Includes an integrated overflow with toe tap drain in chrome finish. May be specified without an overflow (see local codes before ordering without an overflow).
- Air baths require job site preparation for remote installation of the blower and required check valve. Check valve must be installed higher than the rim of the tub.
- Waterproof remote control included with air bath. Keypad shipped loose may be remote mounted on nearby surface/wall.
- Faucet valves cannot be mounted on this tub model.

• Before discarding tub crate, check for accessories that may be packaged inside.  
• All product measurements are ±1/2".  
• Specifications and configurations are subject to change without notice.  
• Measurements herein supersede all others published prior to publication date below.



For more information on options and accessories go to SculptureStone® Tubs Options on mtibaths.com

Elena

MODEL #: 245

245R 58" x 32" x 23"

245F 58" x 32" x 22"

- Blower & required check valve for airbath must be remote mounted.
- Check valve must be installed higher than the rim of the tub.
- See the Installation & Operation Manual for more details.

Hydrotherapy	Package Contents	Part #		Finish	MSRP
Soaker	Soaking bath - no jets. Includes an integrated slotted overflow with a toetap drain kit .	S245R half-rolled rim	S245F flat rim	soft matte	\$7,915
		S245RGL half-rolled rim	S245FGL flat rim	hand-polished gloss	\$9,000
Air Bath	20 air jets, heated air blower, keypad, waterproof remote control. Includes an integrated slotted overflow with a toe-tap drain kit.	AST245R half-rolled rim	AST245F flat rim	soft matte	\$13,035
		AST245RGL half-rolled rim	AST245FGL flat rim	hand-polished gloss	\$14,120

Options <i>Must be ordered at time of purchase</i>
<b>Quick Ship</b> (QSPRI2) <b>\$1,025</b> reduces lead time <i>Please call for availability</i>
<b>Standard Color</b> White <b>Biscuit Color Upgrade</b> (SSBI) <b>\$310</b> <i>Additional material colors available for projects only. Please call MTI.</i>
<b>Exterior Color</b> <b>\$1,760</b> (SSCOLTG) Gloss Finish (SSCOLTM) Matte Finish Must specify color code: Sapphire Blue (SB), Blue Lagoon (BL), Terracotta (TC), Onyx (OX), Stratus Gray (TG), Stormgray (SG) <a href="http://mtibaths.com">Check mtibaths.com for current lead time</a>

Accessories
<b>Teak Bath Mat</b> (TKMAT3018) <b>\$815</b> Measures 30" x 17.5" x 1" <i>Custom sizes also available. Contact MTI for details.</i>
<b>SculptureStone® Tub Tray</b> No Stemware Holder (SSTRAY1) <b>\$340</b> matte (SSTRAY1GL) gloss <b>\$340</b> With Stemware Holder (SSTRAY1) <b>\$450</b> matte (SSTRAY1GL) gloss <b>\$450</b> <i>Order with tub for best color match</i>
<b>Teak Tub Tray</b> Slatted (TK-TRAY1) <b>\$500</b> Solid (TK-TRAY2) <b>\$570</b> <i>Order with tub for best fit</i>

Drains & Overflow Kits <i>Must be ordered at time of purchase</i>
<b>Toe Tap Drain Cover Finishes</b> PVC drain - Chrome included +\$50 upcharge Br. Nickel (WIOBN), Pol. Nickel (WIOPN) +\$85 upcharge Matte Black (WIOMB) +\$105 upcharge Oil-Rubbed Bronze* (WIOOR) +\$640 upcharge Special Finish* (WIOSF) <i>Send finish sample to MTI Baths for best match.</i>

\* MTI has selected an oil-rubbed bronze finish that is compatible with Delta and many other manufacturers. To ensure best match, order as a Special Finish and submit a sample.  
CSA # MTCT-245  
©2023 by MTI Baths, Inc. Modification Rights Reserved

Boutique Accessories	
Packaging / Handling Fee Applies	
<b>SculptureStone® Bathroom Table</b>	(TABLE) <b>\$825</b> matte finish (TABLEGL) <b>\$1,235</b> gloss finish <i>Order with tub for best color match</i>
<b>SculptureStone® Standard Faucet Stand</b>	Small - 3-hole capacity <b>14¼" w x 20½" h</b> Matte (STAND) <b>\$725</b> Gloss (STANDGL) <b>\$1,135</b>
	Large - 5-hole capacity <b>22" w x 21½" h</b> Matte (STANDL) <b>\$855</b> Gloss (STANDLGL) <b>\$1,265</b>
<b>SculptureStone® Premium Faucet Stand</b>	
<b>15" w x 39" h</b>	<b>10" w x 39" h</b>
Matte (SSFSR3915MT) <b>\$2,365</b>	Matte (SSFSR3910MT) <b>\$2,135</b>
Gloss (SSFSR3915GL) <b>\$2,720</b>	Gloss (SSFSR3910GL) <b>\$2,525</b>
<b>20" w x 23" h</b>	<b>15" w x 23" h</b>
Matte (SSFSR2320MT) <b>\$1,930</b>	Matte (SSFSR2315MT) <b>\$1,825</b>
Gloss (SSFSR2320GL) <b>\$2,315</b>	Gloss (SSFSR2315GL) <b>\$2,180</b>

<b>Toe Tap SculptureStone® Drain Cover Finishes</b> Upgrade is in lieu of standard chrome to tap drain cover. White only +\$90 upcharge Matte Finish (SSWIOMT) +\$110 upcharge Gloss Finish (SSWIOGL) <b>Brass Tailpiece</b> (WIOBS) <b>\$85</b> in addition to finish charge listed above <b>Quick Drain Kit</b> (WOQ) <b>\$460</b>
--

\* Allow 2-4 weeks lead time for Special Finishes.  
Send sample for best match.

