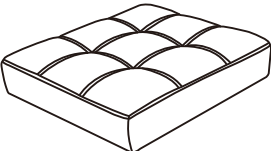

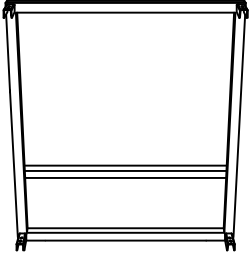
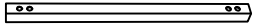
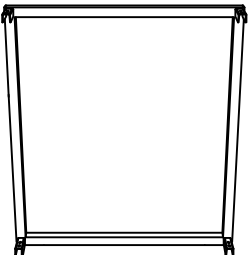





ASSEMBLING INSTRUCTION

| | |
|---|--|
| Ax1  | Dx2  |
| Bx1  | Ex2  |
| Cx1  | Fx16  M6*16mm |
| | Gx6  M6*45mm |
| | Hx1  |

