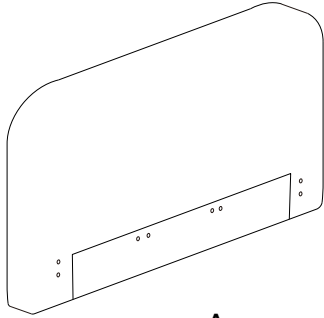


# UPHOLSTERED BED C.KING/E.KING ASSEMBLY INSTRUCTIONS

## BOX#1

A. HEADBOARD

1 PC

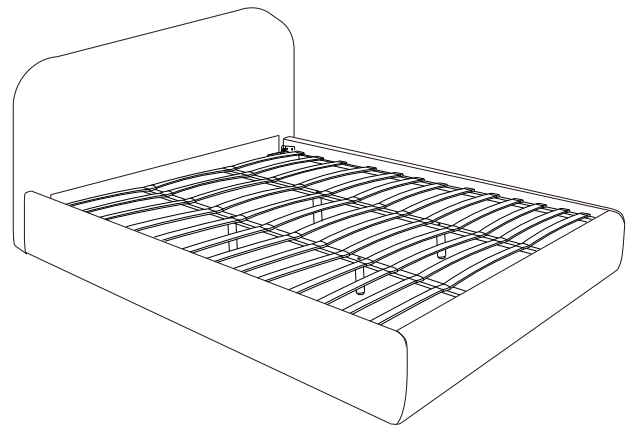


A

## HARDWARE KIT PACKED IN BOX #2

|   |                          |  |        |
|---|--------------------------|--|--------|
| 1 | ALLEN BOLT(5/16"x1")     |  | 24 PCS |
| 2 | ALLEN BOLT(5/16"x2-1/2") |  | 4 PCS  |
| 3 | FLAT WASHER(5/16")       |  | 28 PCS |
| 4 | LOCK WASHER(5/16")       |  | 28 PCS |
| 5 | ALLEN KEY(5/16")         |  | 1 PC   |

## FULLY ASSEMBLED



## BOX#2

B. RIGHT SIDE RAIL

1 PC

C. LEFT SIDE RAIL

1 PC

D. SIDE RAIL BRACKET

4 PCS

E. FOOTBOARD

1 PC

F. CENTER SLAT SUPPORT

2 PCS

G. SLAT SUPPORT LEG

4 PCS

H. SIDE RAIL SLAT CLIP

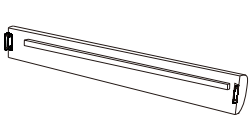
26 PCS

I. SLAT

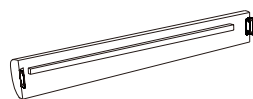
39 PCS

J. CENTER SUPPORT SLAT CLIP

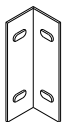
26 PCS



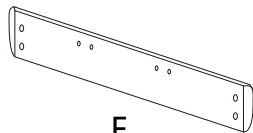
B



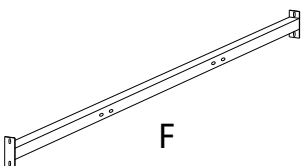
C



D



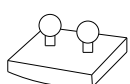
E



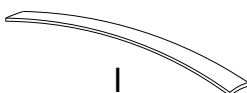
F



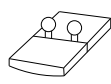
G



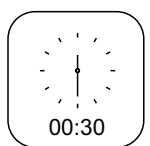
H



I

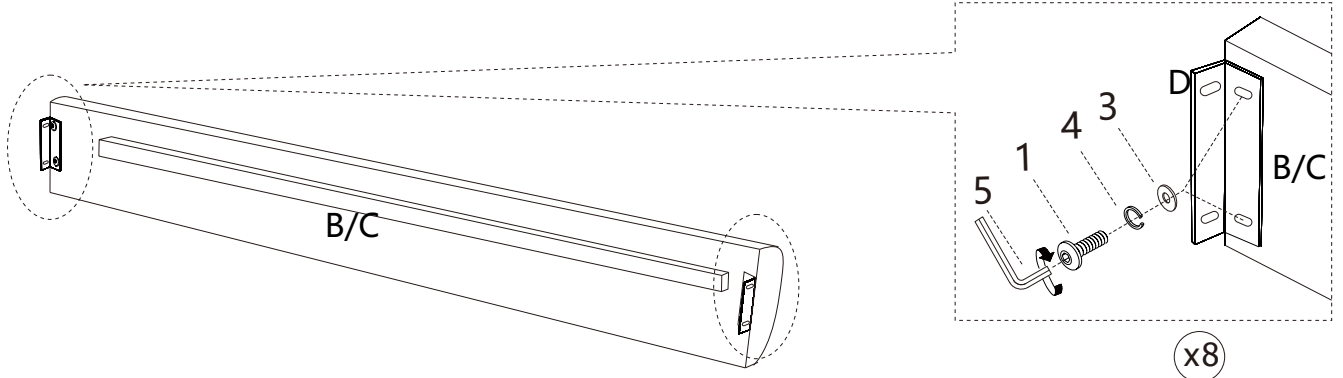


J

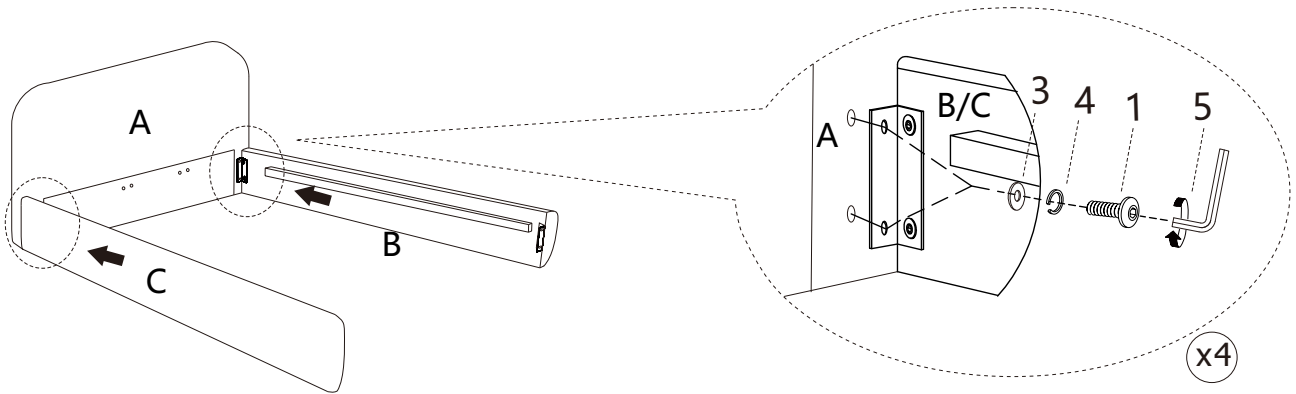


# UPHOLSTERED BED C.KING/E.KING ASSEMBLY INSTRUCTIONS

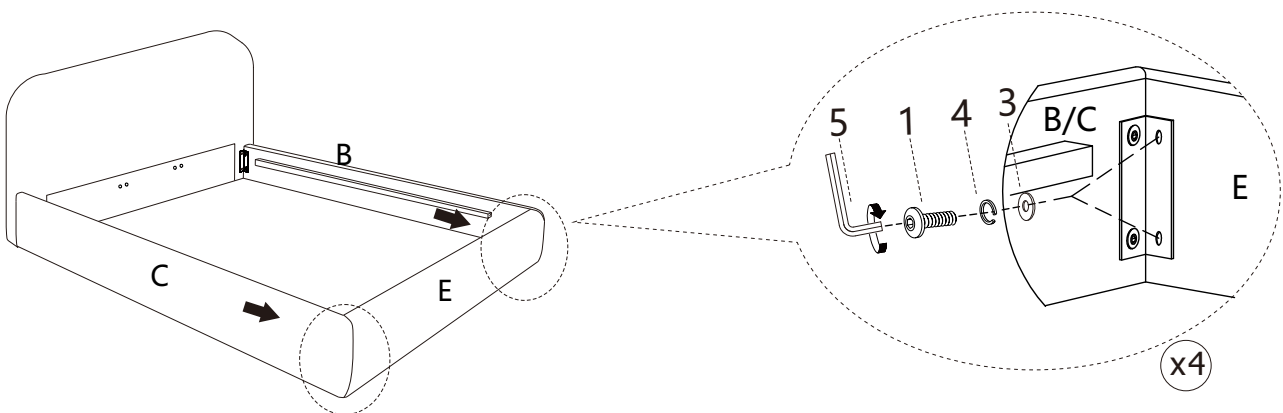
## STEP 1



## STEP 2



## STEP 3

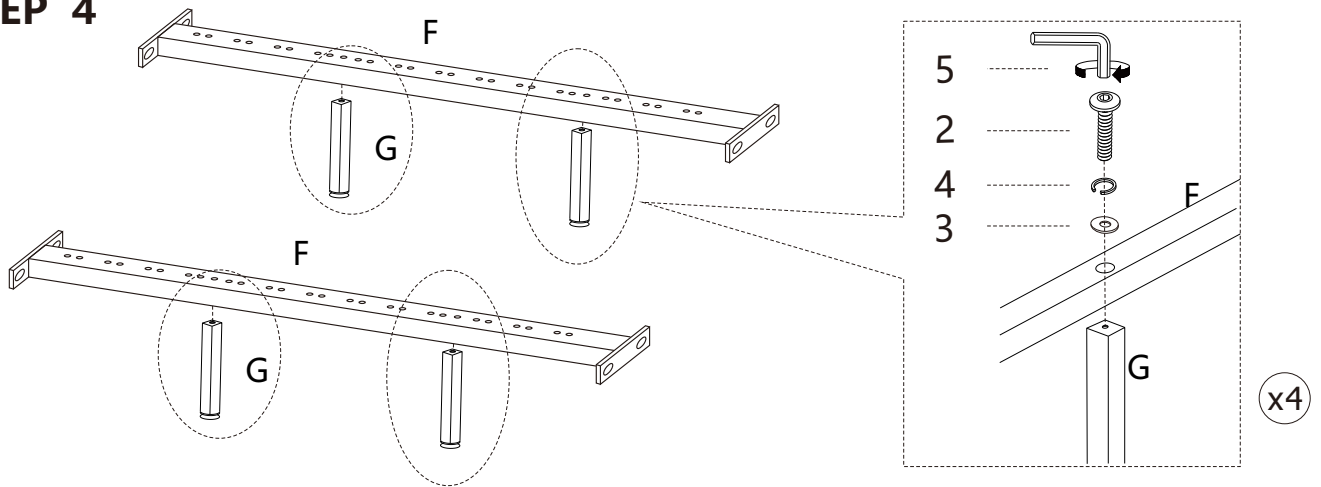


### STOP

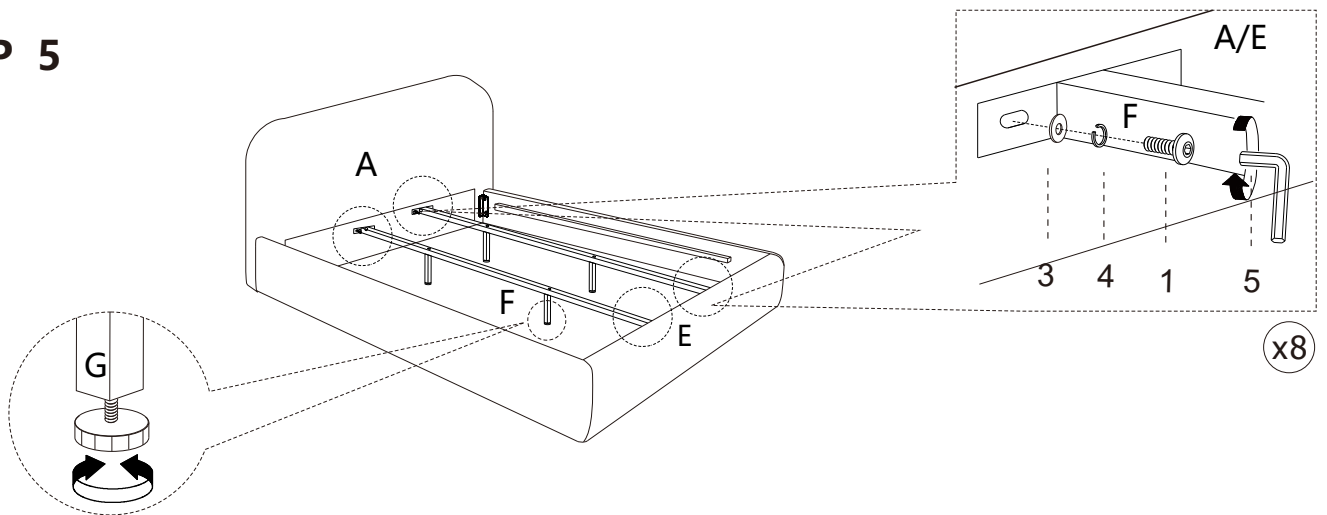
- IF USING BED WITH AN ADJUSTABLE MATTRESS BASE, SKIP STEPS 4,5,6& 7 AND REFERENCE APPENDIX A: ADJUSTABLE MATTRESS BASE ASSEMBLY SUPPLEMENT.
- IF USING BED FRAME WITH A STANDARD BOX SPRING OR FOUNDATION, CONTINUE TO STEP 4.

# UPHOLSTERED BED C.KING/E.KING ASSEMBLY INSTRUCTIONS

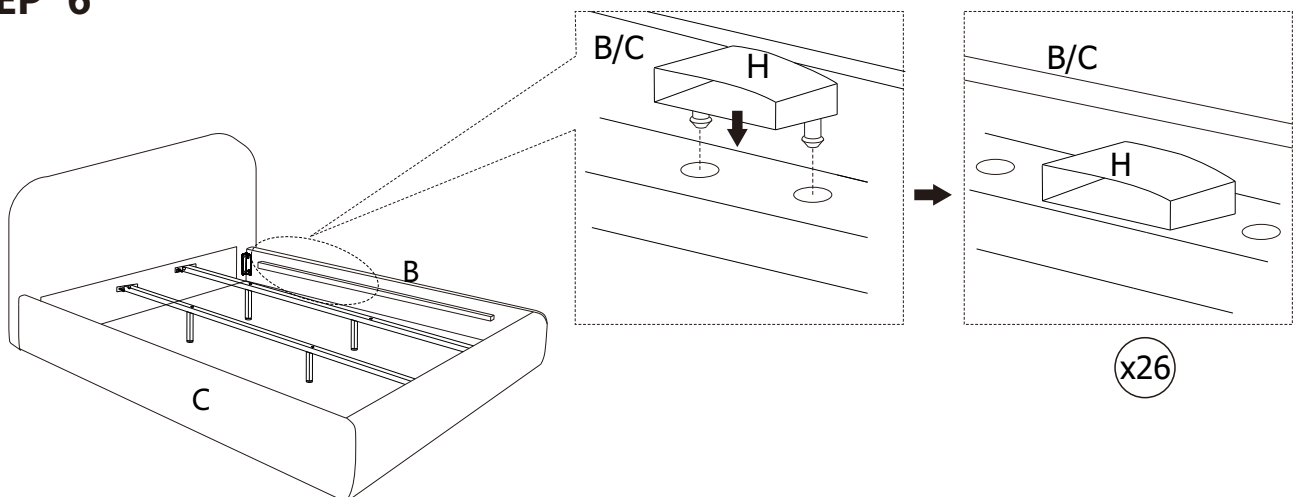
## STEP 4



## STEP 5

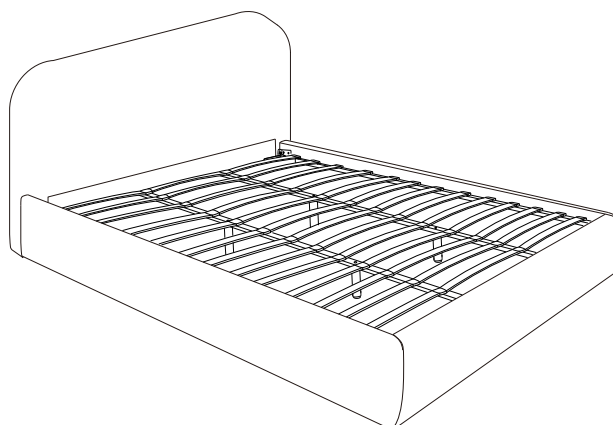
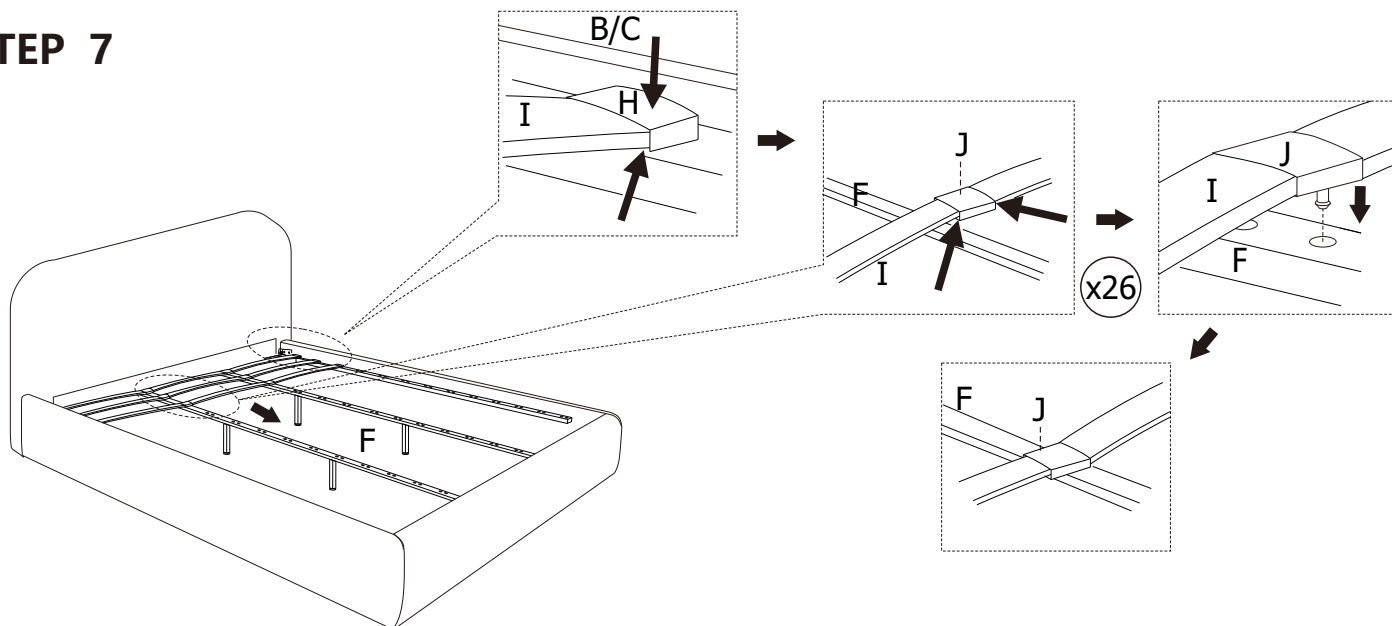


## STEP 6



# UPHOLSTERED BED C.KING/E.KING ASSEMBLY INSTRUCTIONS

## STEP 7



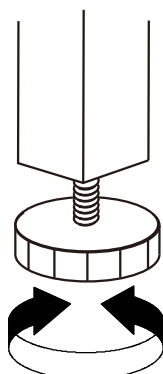
**ASSEMBLY COMPLETE.**

### INSTRUCTIONS FOR ADJUSTING LEVELERS:

POSITION THE BED IN YOUR ROOM.  
LOCATE LEVELERS UNDER EACH  
SUPPORT LEG ( G ).

TURN COUNTER-CLOCKWISE TO  
EXTEND, CLOCKWISE TO RETRACT.

ADJUST LEVELERS UNTIL EACH LEG  
SUPPORT IS APPLYING EQUAL UPWARD  
PRESSURE ON THE CENTER SLAT.



### MAINTENANCE INSTRUCTIONS:

- PERIODICALLY CHECK ALL FITTINGS AND TIGHTEN IF NECESSARY, AS THEY CAN LOOSEN OVER TIME.
- ALWAYS REMOVE BOX SPRING AND MATTRESS BEFORE MOVING THE BED.
- LIFT THE BED WHEN MOVING IT. DRAGGING THE BED CAN DAMAGE THE CENTER SUPPORT.
- READJUST LEVELERS AFTER MOVING THE BED.

# UPHOLSTERED BED C.KING/E.KING ASSEMBLY INSTRUCTIONS

## APPENDIX A:ADJUSTABLE MATTRESS BASE ASSEMBLY SUPPLEMENT

AN ADJUSTABLE MATTRESS BASE IS A FREESTANDING MATTRESS SUPPORT THAT SITS WITHIN THE PERIMETER OF THE BED FRAME.

IF USING THIS BED FRAME WITH A STANDARD BOX SPRING OR FOUNDATION THESE INSTRUCTIONS DO NOT APPLY.

PRE-ASSEMBLED SIDE RAIL CLEATS OBSTRUCT ADJUSTABLE BASE INSTALLATION AND OPERATION. FOLLOW THESE INSTRUCTIONS TO REMOVE THEM.

### **WARNING!**

SIDE RAIL CLEATS ARE HELD IN PLACE USING PHILLIPS HEAD SCREWS. ONCE THEY ARE REMOVED THE USER WILL NOT BE ABLE TO SAFELY RE-INSTALL THE SIDE RAIL CLEATS FOR FUTURE USE WITH A STANDARD BOX SPRING OR FOUNDATION.

THE FOLLOWING PARTS ARE NOT REQUIRED FOR ADJUSTABLE MATTRESS BASE INSTALLATION:

|                             |        |
|-----------------------------|--------|
| F. CENTER SLAT SUPPORT      | 2 PCS  |
| G. SLAT SUPPORT LEG         | 4 PCS  |
| H. SIDE RAIL SLAT CLIP      | 26 PCS |
| I. SLAT                     | 39 PCS |
| J. CENTER SUPPORT SLAT CLIP | 26 PCS |

### **STEP 1 :**

USE A PHILLIPS HEAD SCREWDRIVER (NOT PROVIDED) TO UNSCREW THE PHILLIPS SCREWS AND REMOVE THE PRE-ASSEMBLED SIDE RAIL CLEATS.

