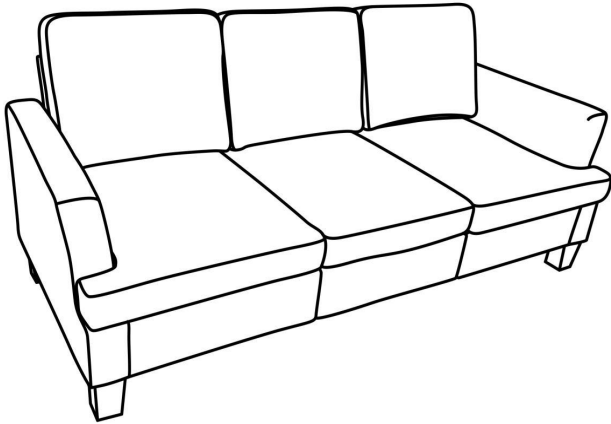
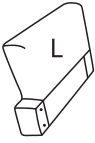
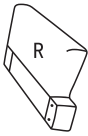
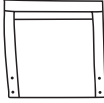
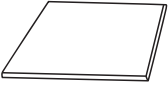
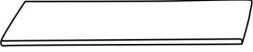


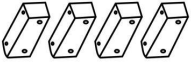
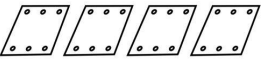

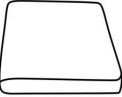







INSTRUCTION MANUAL



SOFA

Package List

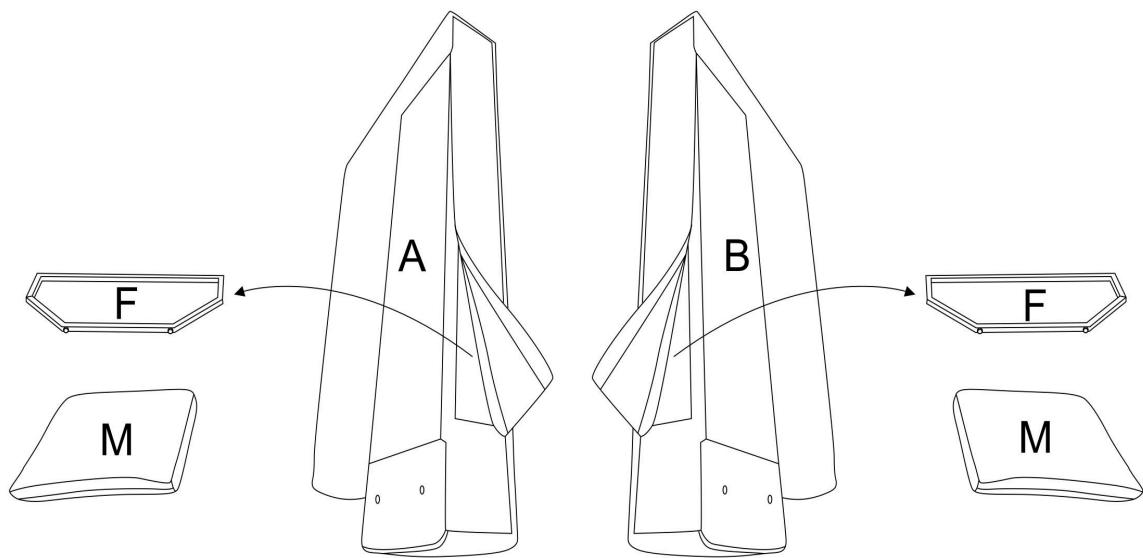
<p>A x1</p>  <p>Left Armrest</p>	<p>B x1</p>  <p>Right Armrest</p>	<p>C x3</p>  <p>Back Frame</p>	<p>D x3</p>  <p>Seat Frame</p>
<p>E x3</p>  <p>Front Panel</p>	<p>F x2</p>  <p>Metal Feet</p>	<p>G x4</p>  <p>Leg for Armrest</p>	<p>H x4</p>  <p>Armrest Connector</p>
<p>I x4</p>  <p>Metal Feet Connector</p>	<p>J x1</p>  <p>Left Seat Cushion</p>	<p>K x1</p>  <p>Middle Seat Cushion</p>	<p>L x1</p>  <p>Right Seat Cushion</p>
<p>M x3</p>  <p>Back Cushion</p>	<p>N 40PCS+2PCS</p>  <p>M6*20mm Screw</p>	<p>O x1</p>  <p>Allen Key</p>	<p>P x4PCS+1PCS</p>  <p>Washer</p>

Caution

Reiiew and check around, ensure all bolts had been fully tightened before using the sofa

1

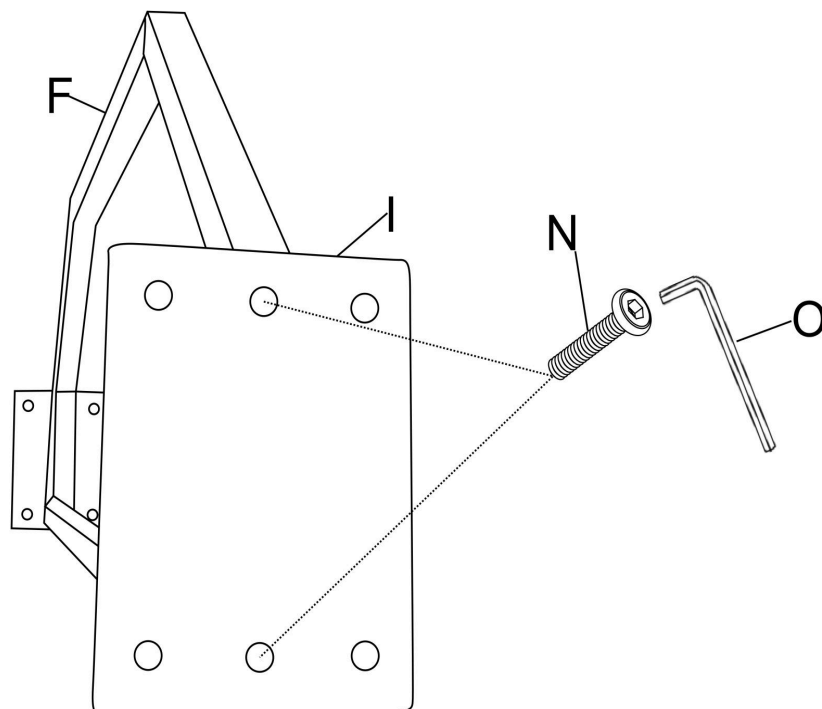
Open the velcro on the Armests (Part A & B), Take out the Part F (metal feet) and Part M (back cushion)



2

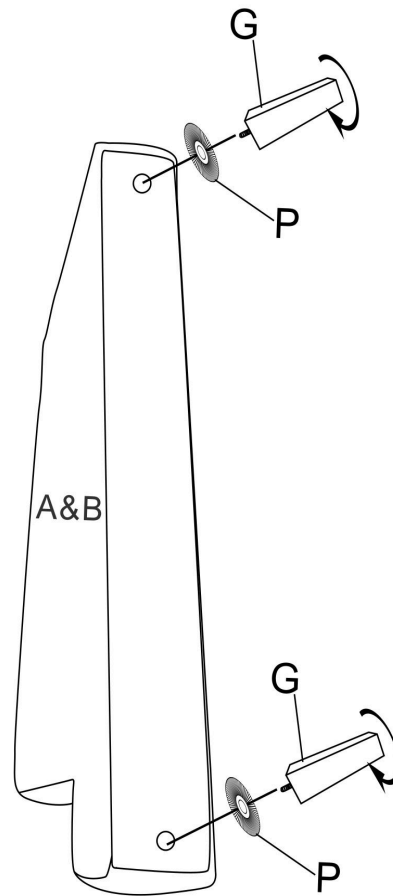
Using screws(Part N) to Install the Part I (metal feet connector) with Part F (metal feet)

Attention: Install the middle holes of Part I (metal feet connector)



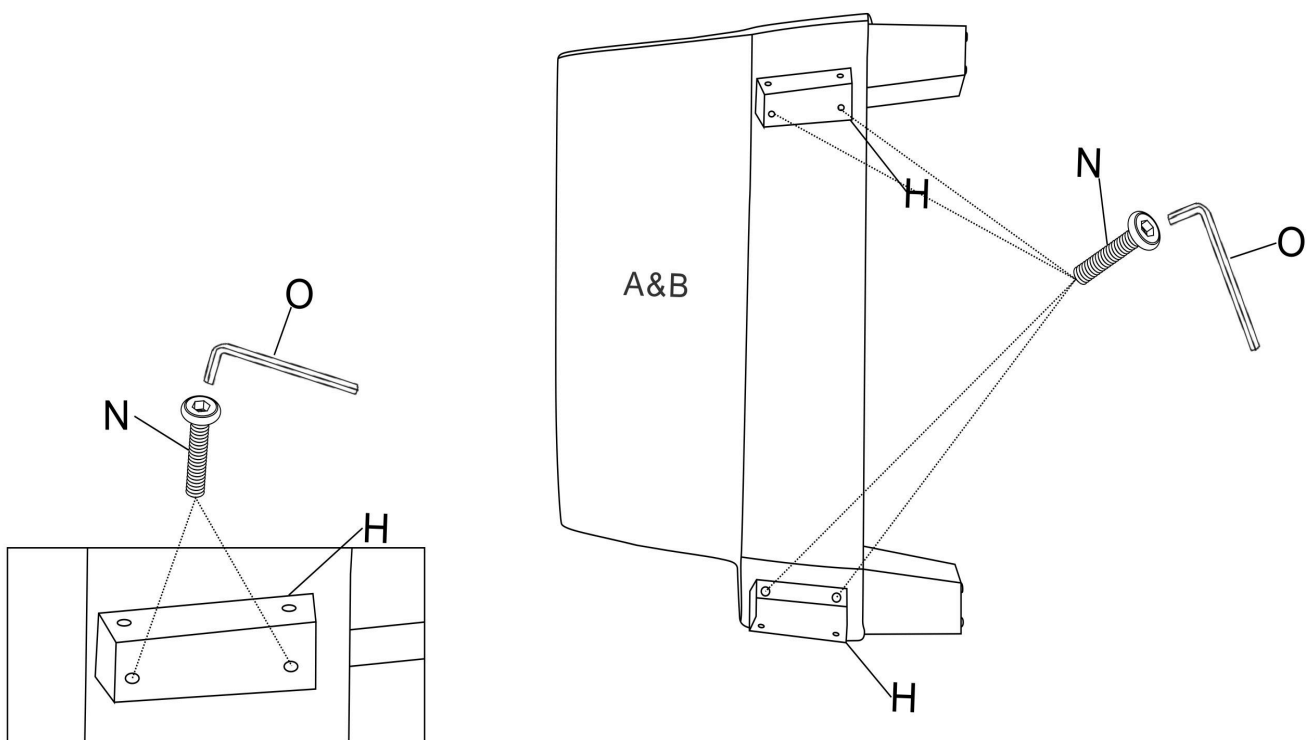
3

Install the Part G (Legs) to Part A or Part B (Armrests) together with Part P (Washer)



4

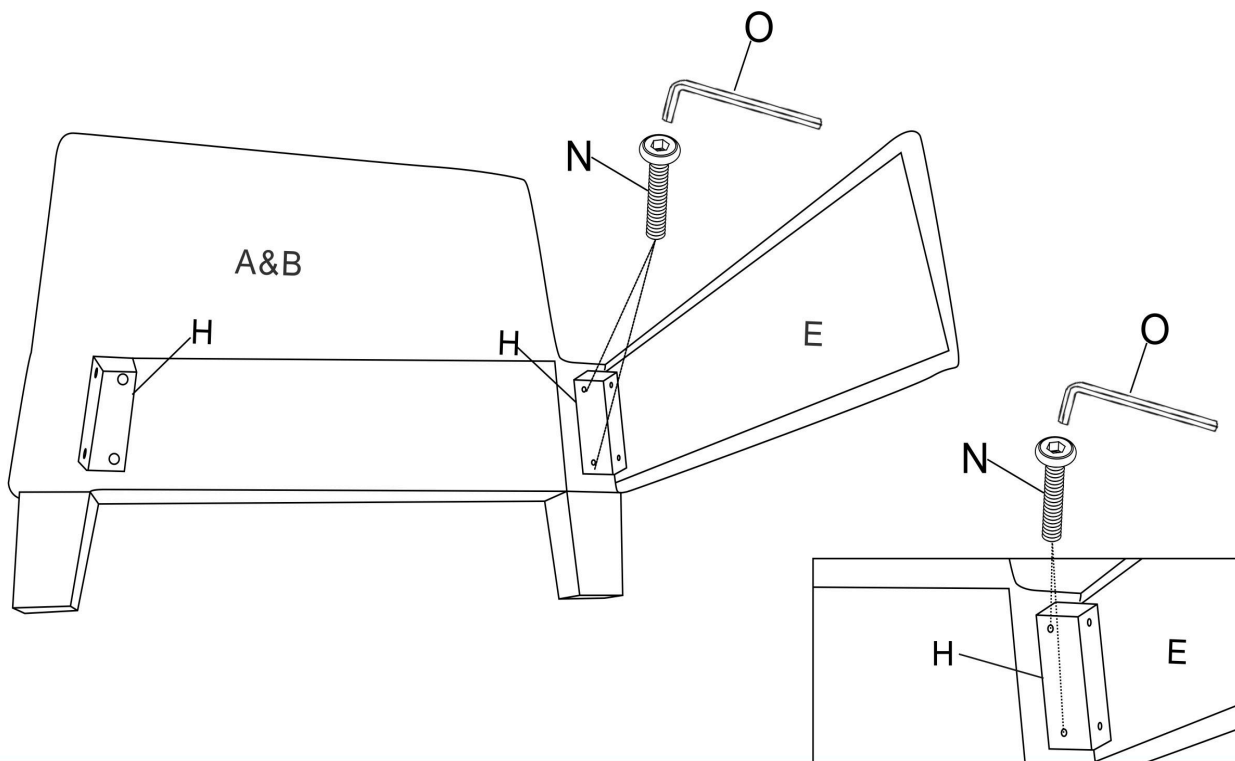
Install Part H (Armrest connector) to Part A or B (Armrest) by Part N (Screws)
Attention: Install all parts into the fixing holes as below diagram



5

Using Part N(Screw) to install Part E(Front panel) to Part H(Armrest connector)

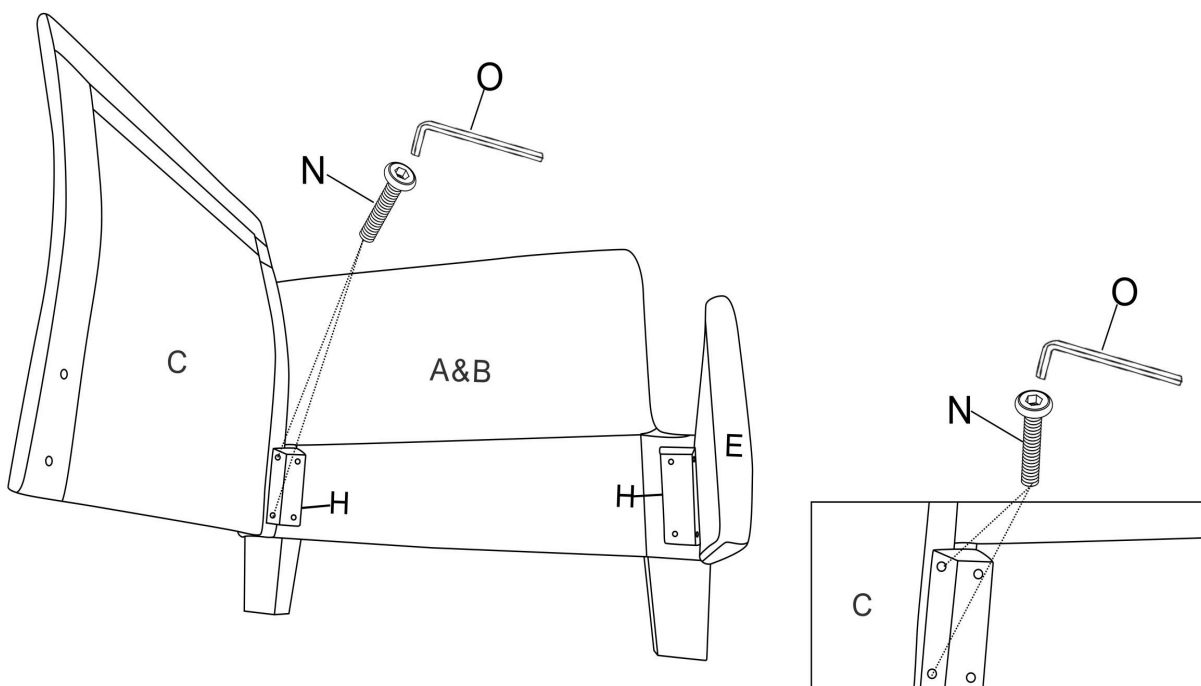
Attention: Install all parts into the fixing holes as below diagram



6

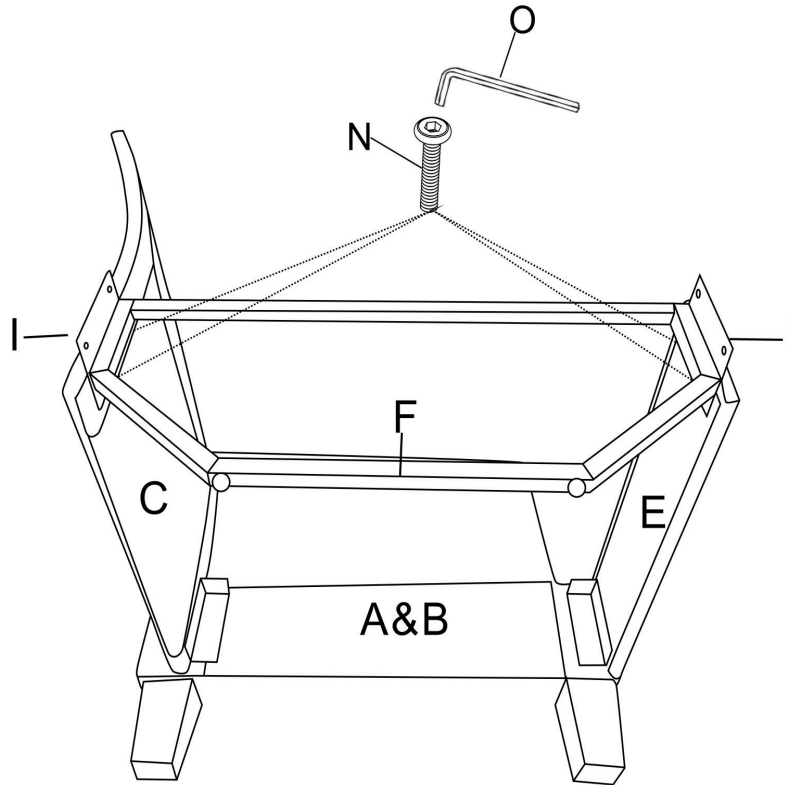
Using Part N(Screw) to install Part C(Back frame) to Part H(Armrest connector)

Attention: Install all parts into the fixing holes as below diagram



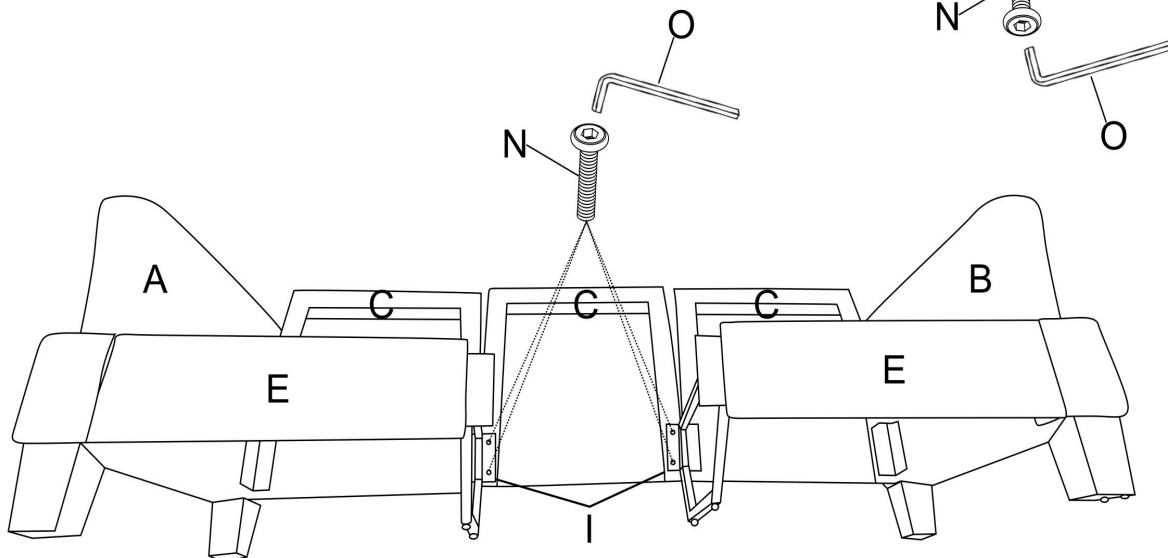
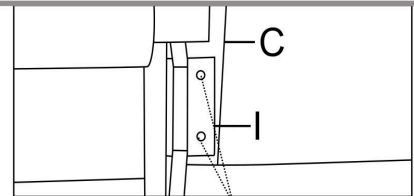
7

Using Part N(Screw) to install Part F(Metal feet) to Part C(Back frame) and Part E(Front panel) with Part I(Metal feet connector)



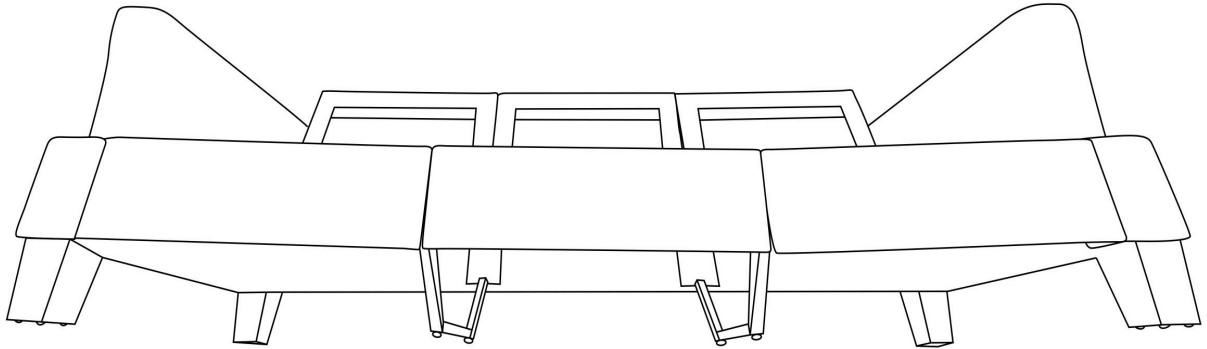
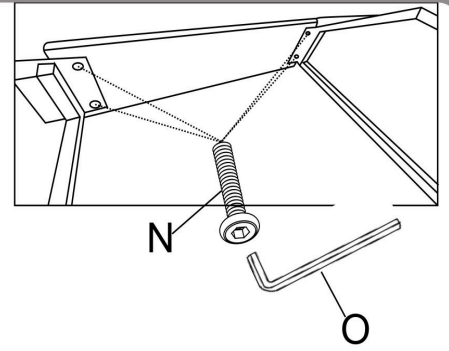
8

Using Part N(Screw) to install Part C(Back frame) to Part I(Armrest connector)
 Attention: Install all parts into the fixing holes as above diagram



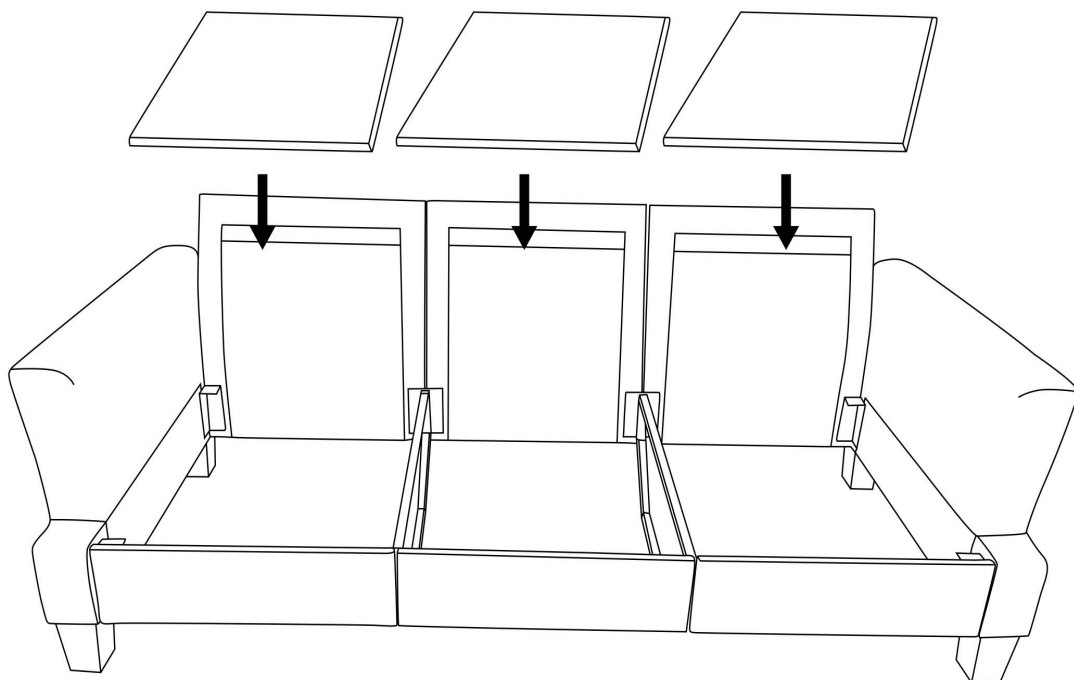
9

Attach Metal Feet Connector(I)to FrontPanel (E)using screw(N)The fixing hole positions are as shown in the diagram



10

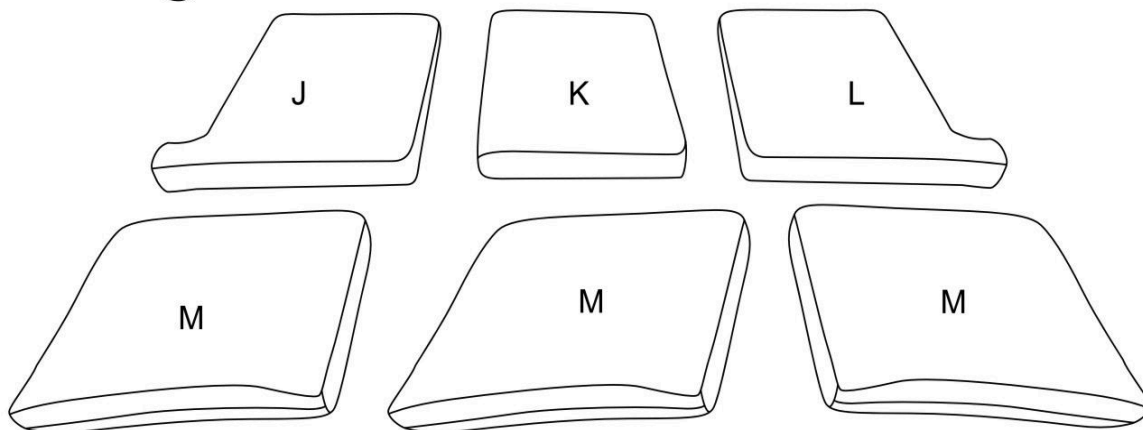
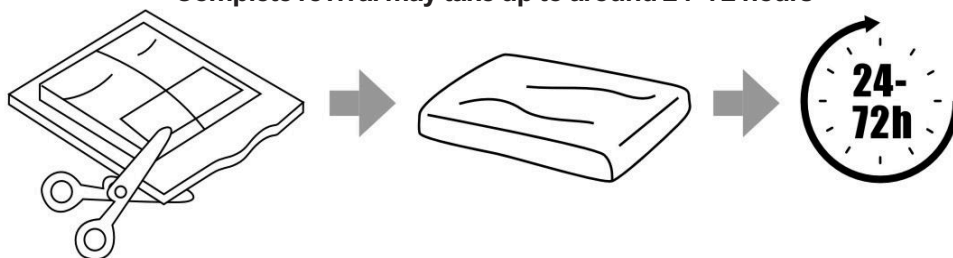
Place the SeatFrame(D)into the assembled sofa frame



11

Open the Part J, K, L (Compressed back cushion) and Part M (Compressed seat cushion)

Attention: Donot open the vacuum until you confirmed this sofa fits your space and you are also satisfied with this product.
Complete revival may take up to around 24~72 hours



12

Place the seat/back cushion on the sofa as shown in the picture

