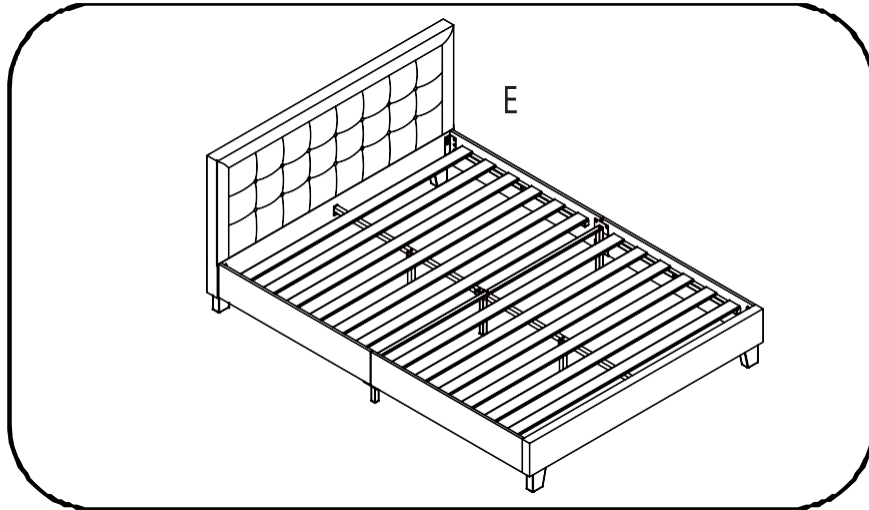


# Woven Platform Bed



## Assembly Instructions

Product Dimensions:  
42.72"L×80.12"D×36.22"H  
(Twin)

Please take a moment to read through the entire instruction booklet before assembly to familiarize yourself with this product. Once you feel ready to start, follow the instructions step by step and this should make this process as easy as we could make it for you.

# WARNING CAUTION

## ADULT ASSEMBLY REQUIRED

### CHOKING HAZARD

- This product includes small parts, sharp points and sharp edges in its unassembled state. Keep unassembled parts away from children under 3 years of age, and animals.

### SAFETY WARNINGS

- Follow the information on the warnings appearing on table and on the carton. Do not remove warning label from cabinet.
- Do not allow children under 3 years of age to use the cabinet.
- Do not use substitute parts. Contact the manufacturer or dealer for replacement parts.

### FURNITURE TIP-OVER HAZARD

#### Children have died from furniture tip-over

To reduce the risk of furniture tip-over:

- ALWAYS install tip-over restraint especially if used by a wall or in the open.
- NEVER put a TV on this product
- NEVER allow children to stand, climb or hang on drawers, doors, or shelves.
- NEVER open more than one drawer at a time.
- ALWAYS place heaviest items in lowest cabinet.

### PARENTAL SUPERVISION IS REQUIRED

- Parents or Guardians should supervise use under the intended age specifically regarding children that may have access to it and climb on the unit.
- Do not allow horseplay on, under, or behind the unit and prohibit jumping on the cabinet.
- If used improperly, your table may be pulled over or fall, creating risk of injury or damage. Children should not be permitted to climb or pull on the cabinet.

### USE, MAINTENANCE & ASSEMBLY

- Periodically check and ensure that the components are in their proper position, free from damage, and that all connectors are tight.
- Use on level surfaces only. Assemble on a soft level surface to avoid damage to unit or floor.
- Do not use this item if any components are missing or damaged.
- Do not use substitute parts. Contact the manufacturer or dealer for replacement parts.
- Only clean using damp cloth and mild detergent, do not use bleach or abrasive cleaners.
- Check you have all components and tools listed on page 4
- Do not stand or put weight on this product during assembly, this could cause damage.
- Remove all hardware from the plastic bags and separate them into groups.
- Assemble the item as close to its final position (in the same room) as possible.
- Certain assembly steps may be easier with 2 people.
- Dispose of all packaging carefully and responsibly.
- We do not recommend power screwdrivers. Only use hand screwdrivers to prevent damage to unit.
- Keep these instructions for future reference.

#### ~~Enfants morts suite au basculement d'un meuble.~~

Afin de limiter le risque de basculement de meuble:

- TOUJOURS utiliser les fixations anti-basculement.
- NE JAMAIS installer de TV sur ce produit.
- NE JAMAIS laisser d'enfants se tenir debout sur les tiroirs, portes ou etageres, y grimper ou s'y suspendre.
- NE JAMAIS ouvrir plus d'un tiroir a la fois.
- TOUJOURS placer les choses les plus lourdes dans les tiroirs du bas.

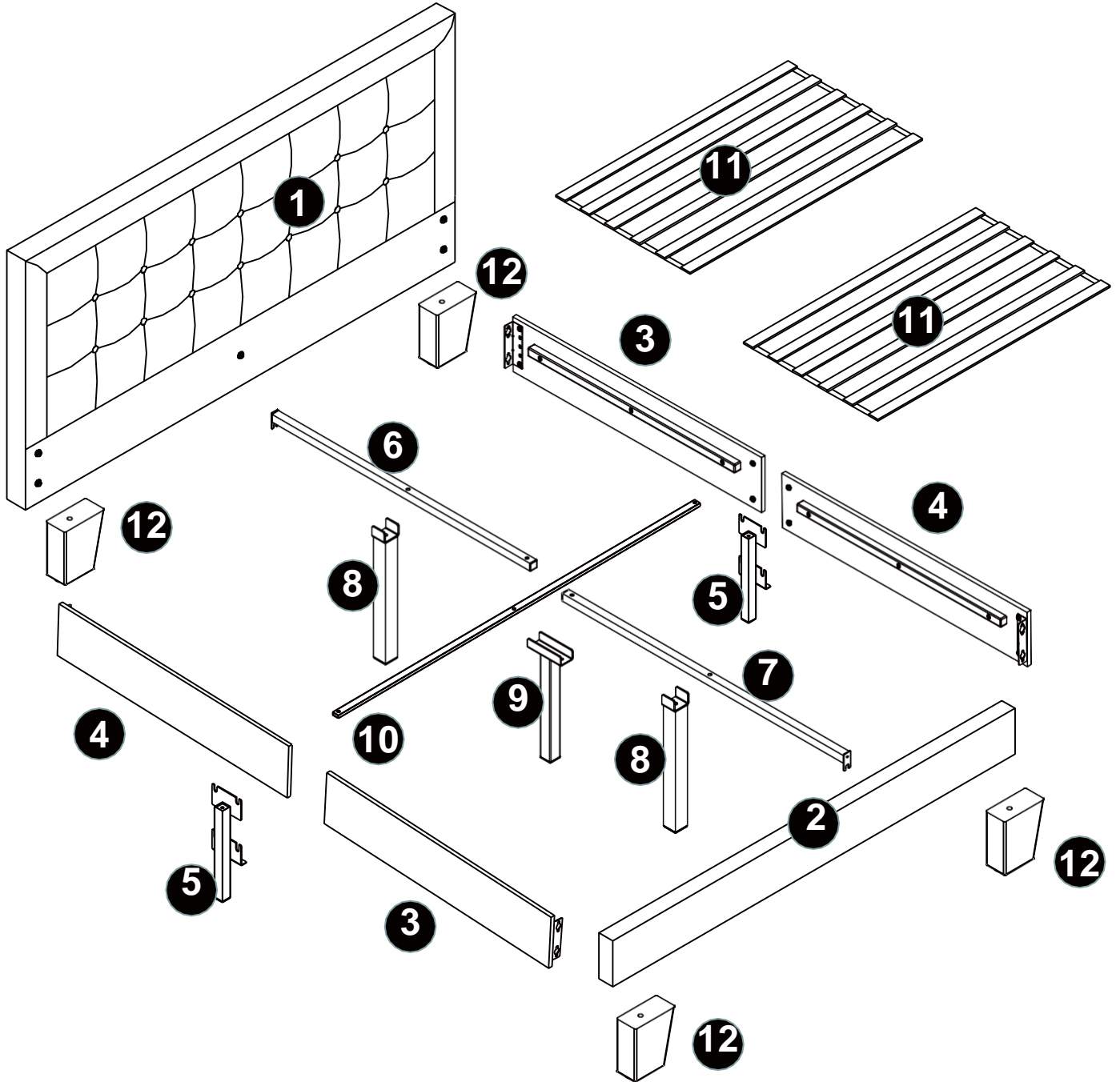
#### ~~Han muerto niños por el vuelco de muebles.~~

Para limitar el riesgo de vuelco de los muebles:

- Utilizar SIEMPRE las fijaciones antivuelco que suministran.
- NUNCA instalar un TV sobre este producto.
- NUNCA permitir que los niños se pongan de pie, trepen o se cuelguen de los cajones, puertas o baldas.
- NUNCA abrir mas de un cajon a la vez.
- Colocar los objetos mas pesados en los cajones inferiores.

# ASSEMBLY AT A GLANCE

Please take a moment to read through the whole instruction booklet before assembly to familiarize yourself with this product. Once you feel ready to start, follow the instructions step by step and this should make this process as easy as we could make it for you.

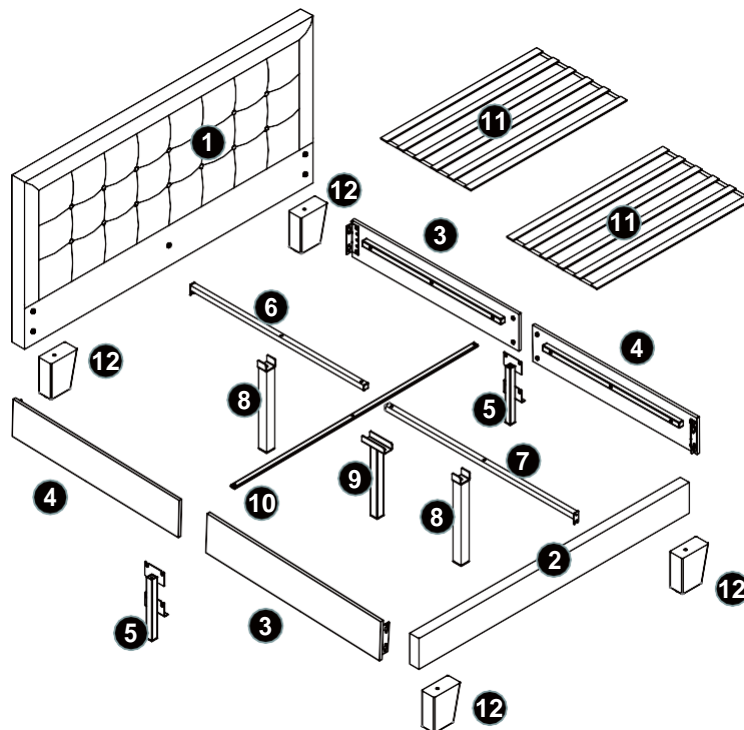


This drawing is to give you an overall idea only of how this assembly will go together and does not replace the assembly instructions.

# COMPONENT PARTS

Please check that you have all the parts listed below

1. Headboard x1
2. Footboard x1
3. Side Panel x2
4. Side Panel x2
5. Connecting Lock x2
6. Top Bed Frame x1
7. Second Bed Frame x1
8. Bed Plate Support x2
9. Middle Bed Plate Support x1
10. Long Bed Frame x1
11. Bed Slats x2
12. Feet x4



## ASSEMBLY HARDWARE



### Tools Required



Phillips Screwdriver  
(Medium) (not included)

**\*Do Not Use Power  
Screwdriver or Drill.**

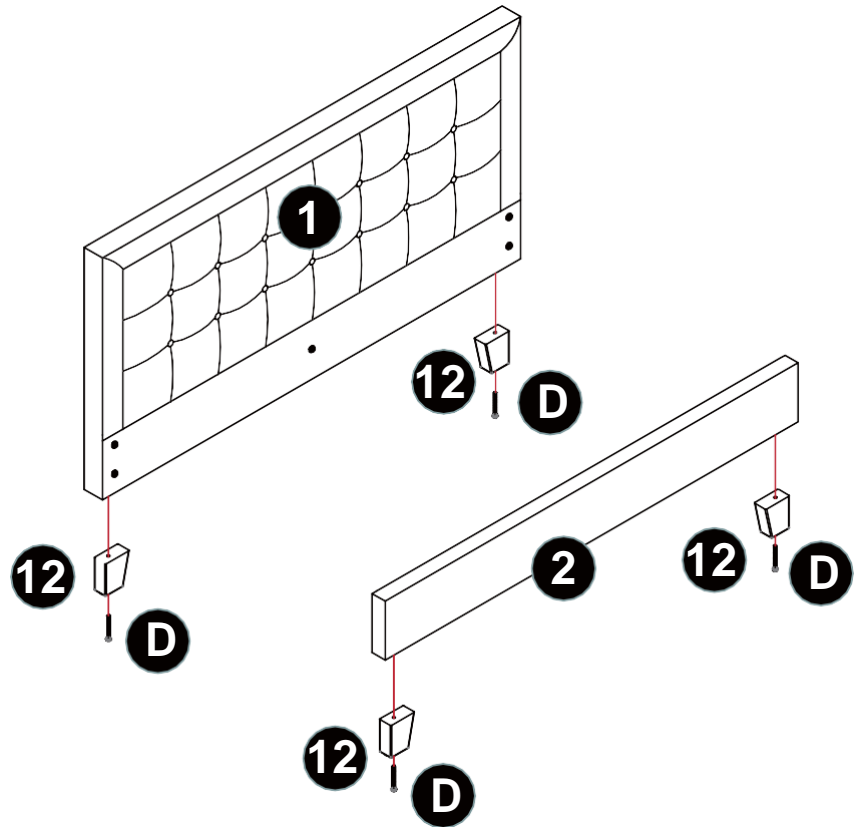


Hex Screwdriver

# ASSEMBLY INSTRUCTIONS

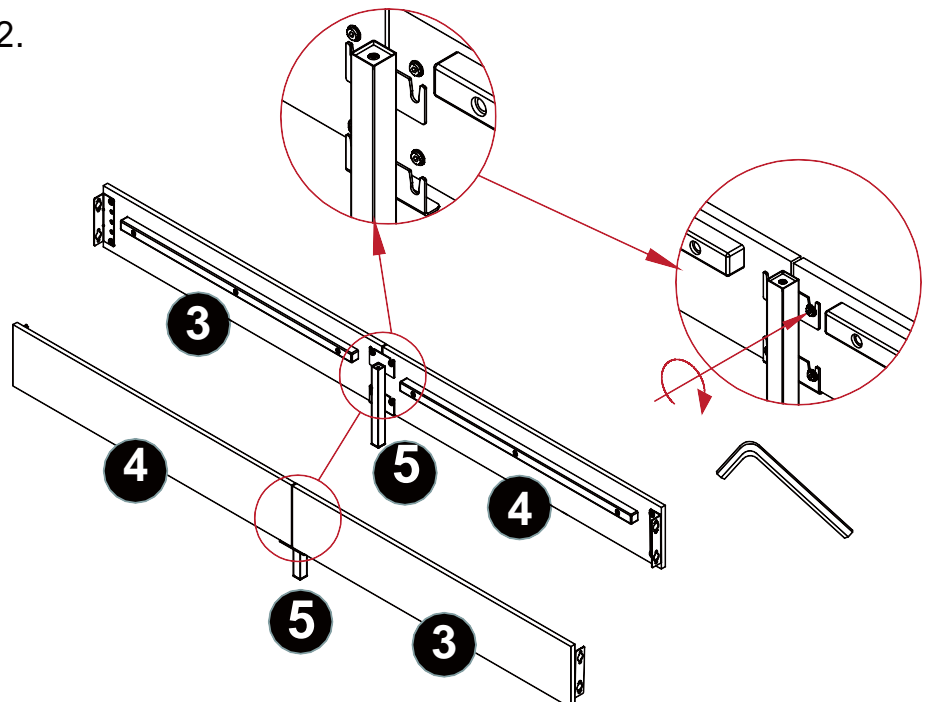
1

Select 1x1, 2x1, 12x4 and Dx4.  
Insert 12x2 into 1 with Dx2.  
Repeat for 2.



2

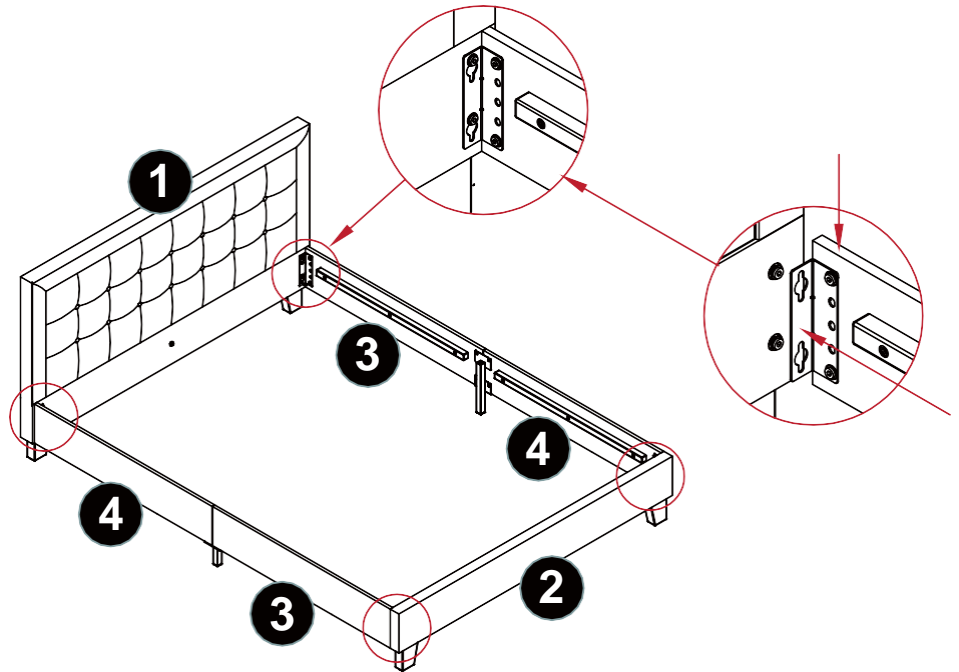
Select 3x2, 4x2, 5x2.  
Connecting 3x2 and 4x2 with 5x2.



# ASSEMBLY INSTRUCTIONS

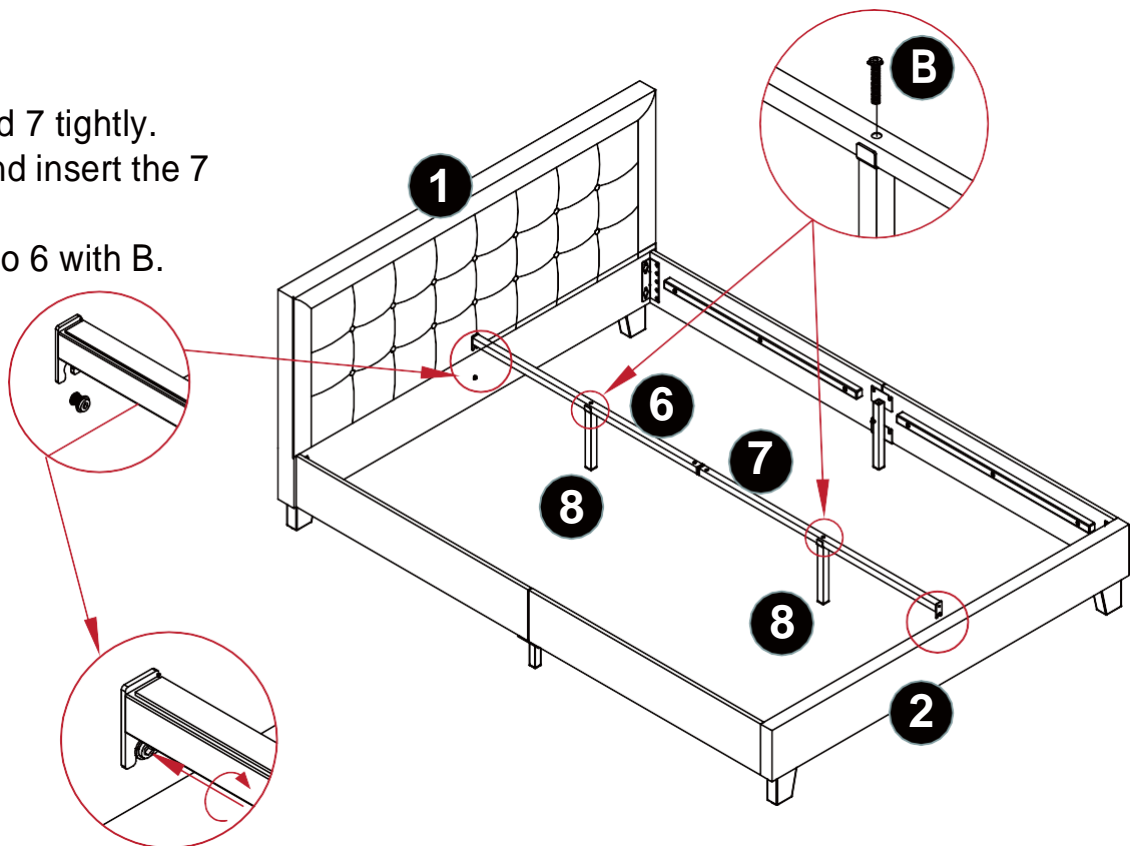
3

Connecting 3 and 1.  
Mount 4 and 2 together.  
The other side,  
3 and 4 is installed in reverse.



4

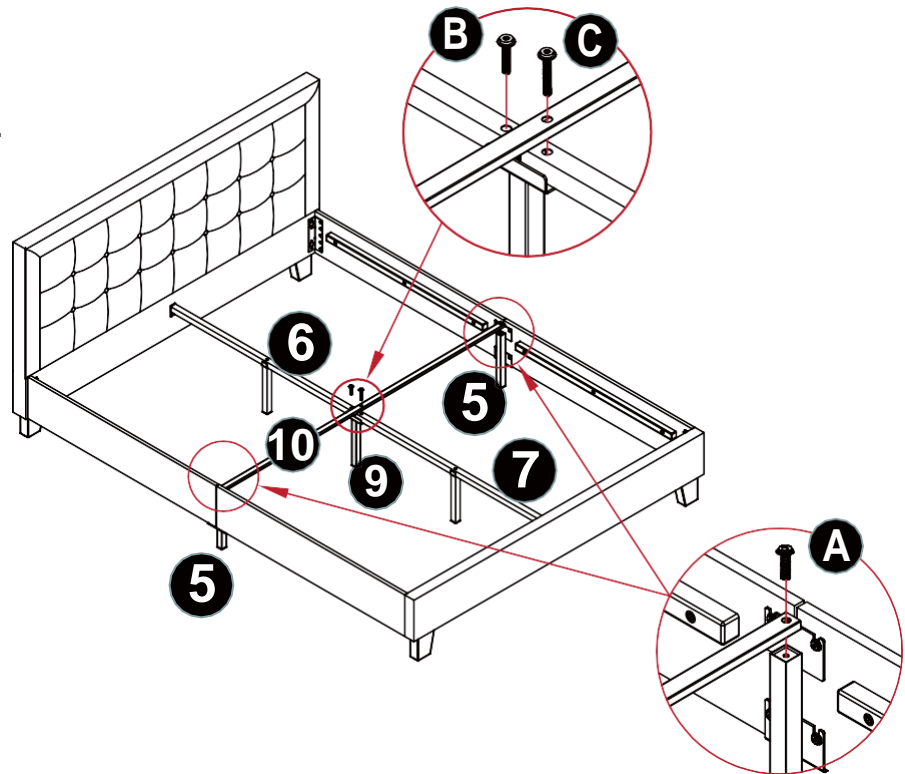
Connecting 6 and 7 tightly.  
Insert 6 into 1 and insert the 7  
into 2.  
Insert the 8x1 into 6 with B.  
Repeat the same  
step for 7.



# ASSEMBLY INSTRUCTIONS

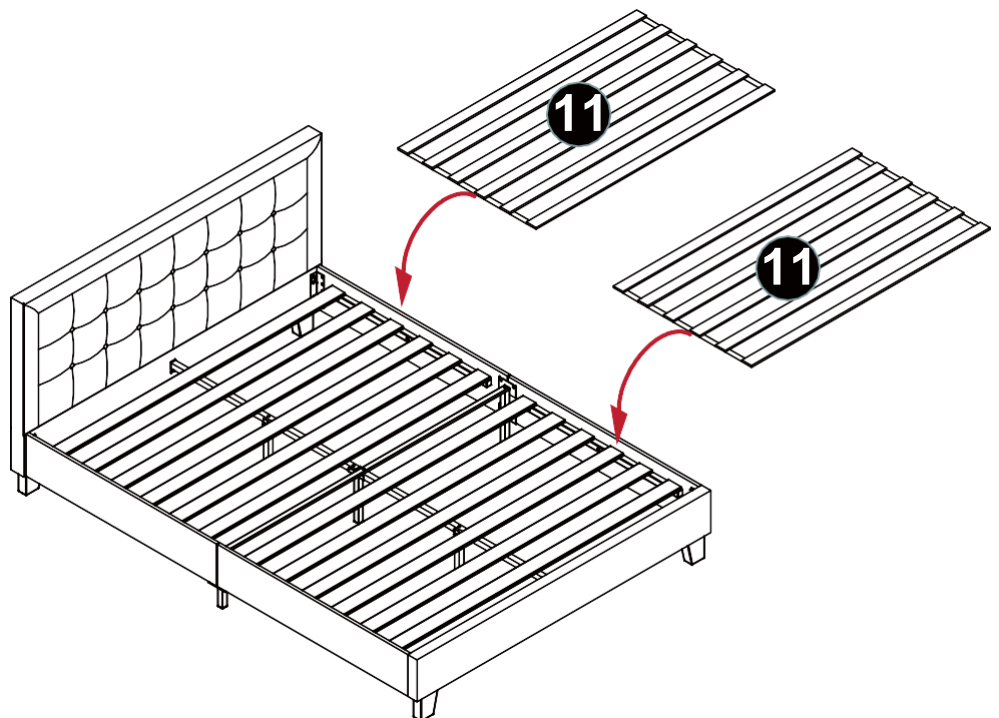
**5**

Insert 10 into 9 with B and C.  
Install 10 into two sides of 5  
with Ax2.

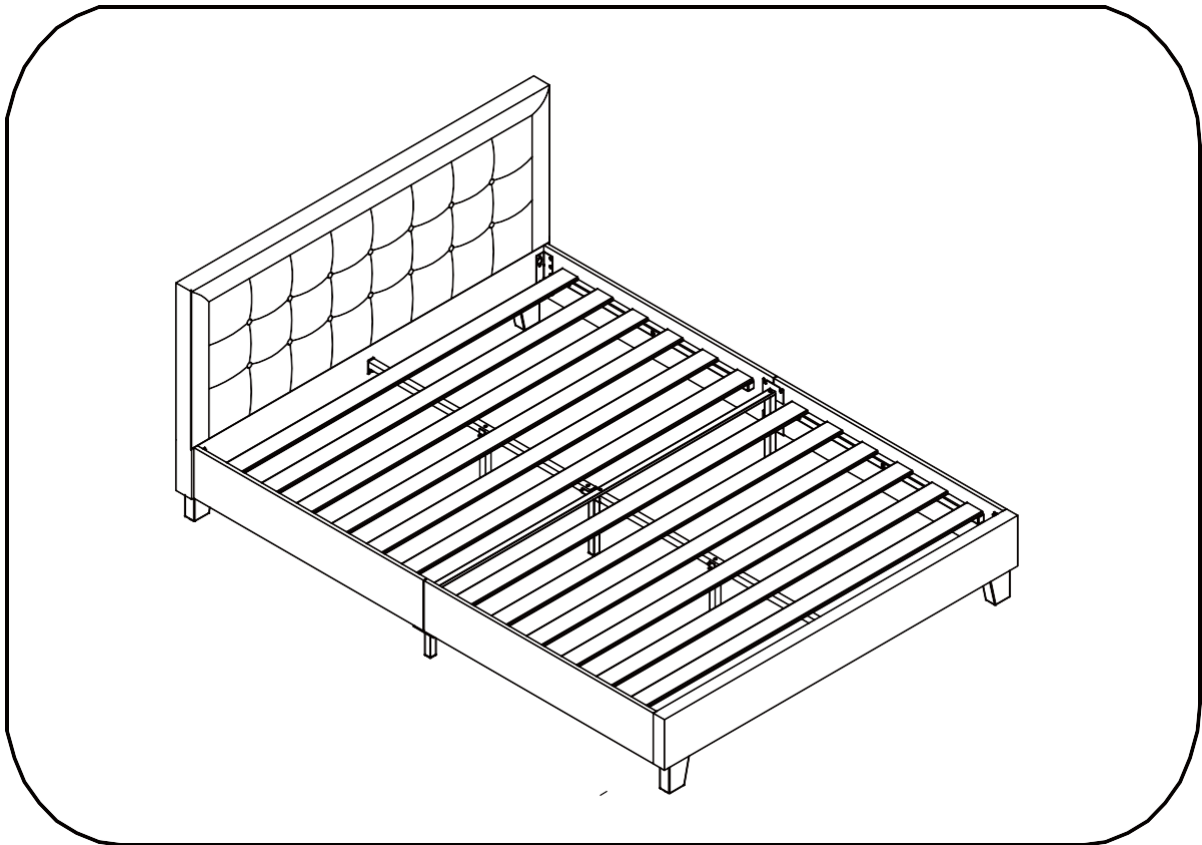


**6**

Put the 11x2 into the Bed.



**ASSEMBLY COMPLETE**



**CONGRATULATIONS, YOUR WOVEN PLATFORM BED IS  
COMPLETE!**