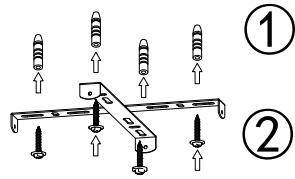
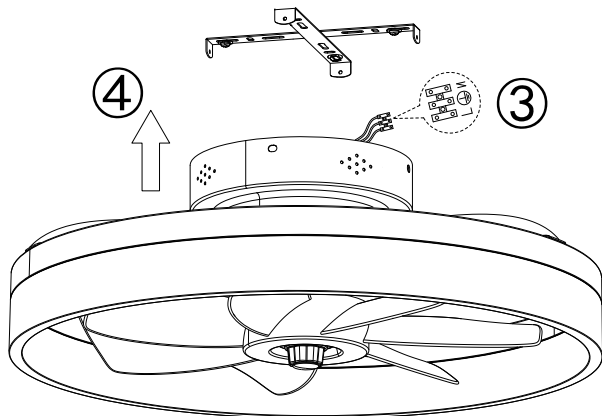


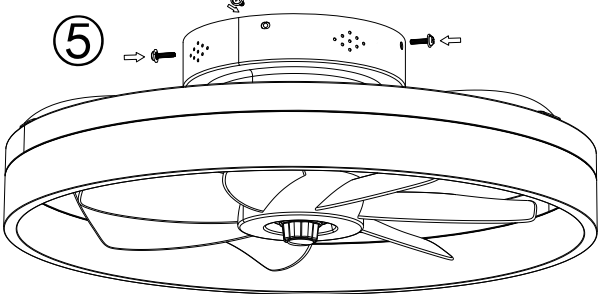
The ceiling



The ceiling

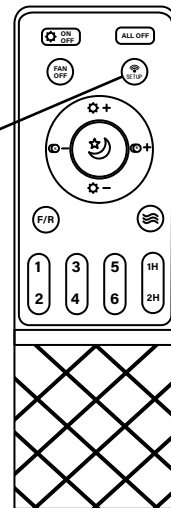


The ceiling



Turn on the power switch and press the 'SETUP' button within 2 seconds after hearing the 'drip'. The receiver beeps out two clicks, successfully matching the code.

Tips: Before installation, the lamp should be tested for electricity. The lamp can be installed to the ceiling only in normal operation



Installation steps

- Step1 : Disassemble the hanging plate of the lamp, then the hole position of the hanging plate is measured and located on the ceiling by borrowing the hole position of the hanging plate.
- Step2 : Punch holes in the positioning mark according to the size of the expansion screw, then hammer the expansion screw into the hole with a hammer (leaving one centimeter outside) and then counterclockwise unscrew the nut and meson to lock the hanging plate. (If your ceiling is not concrete but a wooden suspended ceiling, use self-tapping screws directly to secure the cross-hanging panels).
- Step3 : Install the hanging plate on the ceiling with the washers respectively. Ensure that the mounting plate is connected with the ceiling firmly, and ensure that the hanging plate and the expansion screw are sufficient to bear the weight of the lamp body.
- Step4 : The main line of the lamp body should be checked if the lamp works normally or not by connect 110V power supply. It is recommended that professional electrician install the lamp.
- Step5 : Install the lamp hub on the hanging plate according to the hole position. please ensure that the lamp body and ceiling are securely connected.

Attention

- 1 : Please read the assembly drawing carefully before installing and maintaining the lamps and lanterns, and keep it properly for future use after use.
- 2 : The power supply used should not exceed the specified range of voltage (rated voltage AC110V) for a long time ,or may cause damage to the lamp overheating.
- 3 : Please pay attention to check whether the cable and switch are in good condition before use, and ensure that the local voltage is consistent with the lamp voltage.
- 4 : Please turn off the power before installing the lamp.
- 5 : Do not install the lamp above the high temperature object, such as stove, gas, exhaust, cylinder, etc., which may damage the lamp.
- 6 : Please do not refit the lamps ,which may case of malfunction.
- 7 : Please clean and check regularly. Turn off the power before cleaning. Wipe the surface with a dry rubbing cloth. Do not wipe with acidic or alkaline chemical solvents, which will cause serious damage to the surface.