

BLANCO CULINA-S Duo

Item No. BM4900CH



metallic surface

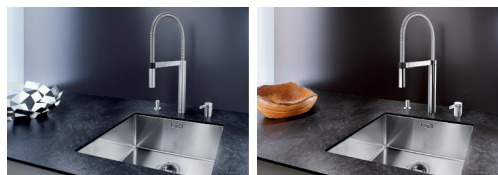
High Pressure

Pros



System design with professional standards

- Exclusive design mixer tap
- Perfectly matched to SteelArt bowls without a tap ledge, in particular BLANCO ATTIKA
- Separate control element to position freely
- Comfortable locking of the hose with a precise magnetic holder
- Spray in high quality metal



Colours



Available colours



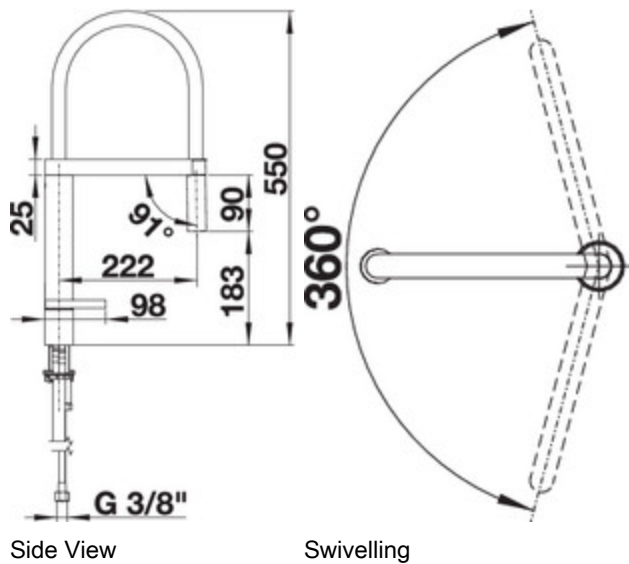
chrome

metallic surface

Item No. BM4900CH

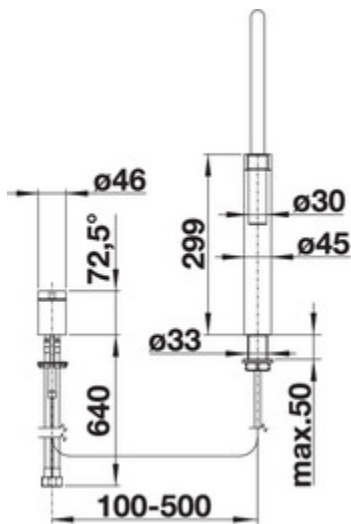
High Pressure

Details



Side View

Swivelling



Scope of supply

- Spout can be swivelled by 360°
- Ø 35 mm tap holes required
- with ceramic disk cartridge
- Metal sheathed spray-hose
- Flexible connection pipes with a length of 640 mm and 3/8" nut for particularly easy and secure installation
- Stabilisation plate to increase the stability of the tap when fitted in stainless steel sinks
- with non-return valve and thus guaranteed against reflux in accordance with EN 1717
- Applied for LGA certificate
- Applied for DVGW certificate

Please note:

High pressure supply only, requires minimum of 1.5 bar pressure
(approx 15 metre head) preferred 1.5 bar - 1.8 bar

Height: 550

Reach: 222

Base: 45

Tap hole: \varnothing 35

BLANCO UK Limited

Tel: 01923 635200

Fax: 0800 0911608

► www.blanco.co.uk