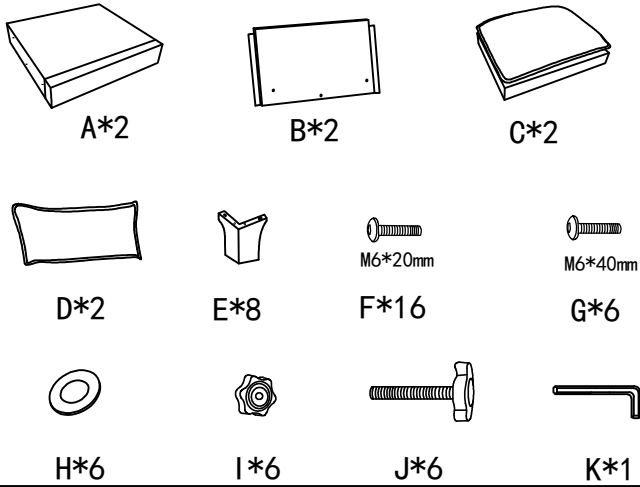
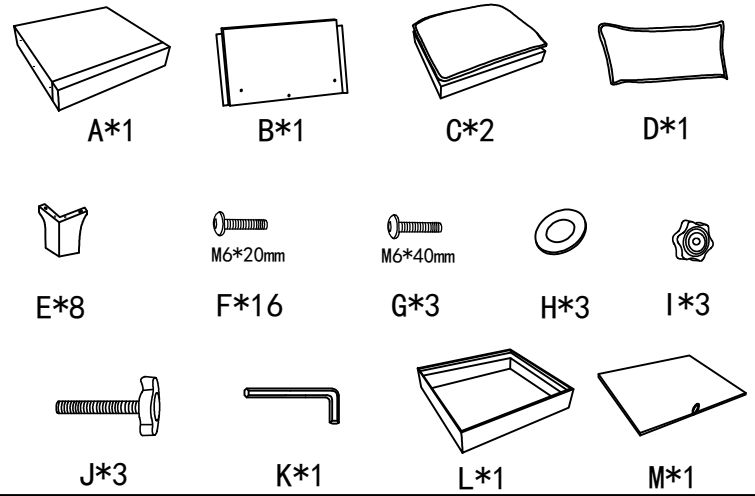


# ASSEMBLY INSTRUCTION

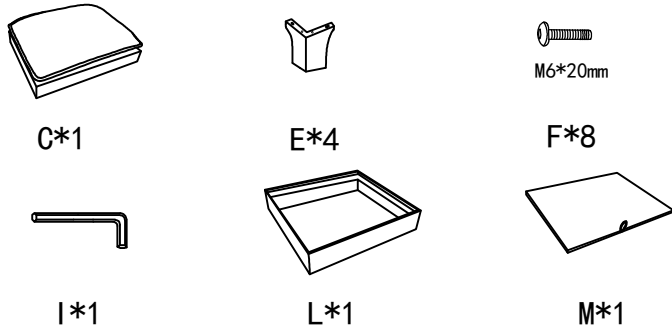
## Carton A



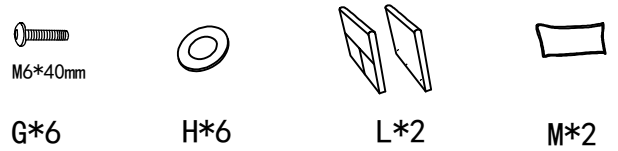
## Carton B



## Carton C



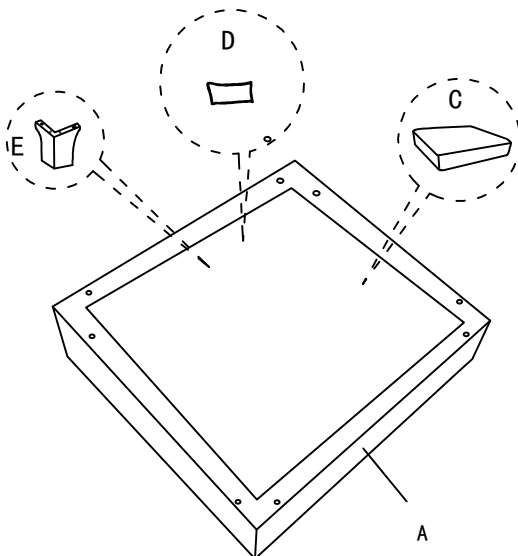
## Carton D



Due to the different configurations you have purchased, the number of boxes of goods you receive will also vary. Please determine the information of the goods you receive based on the configuration you have purchased.

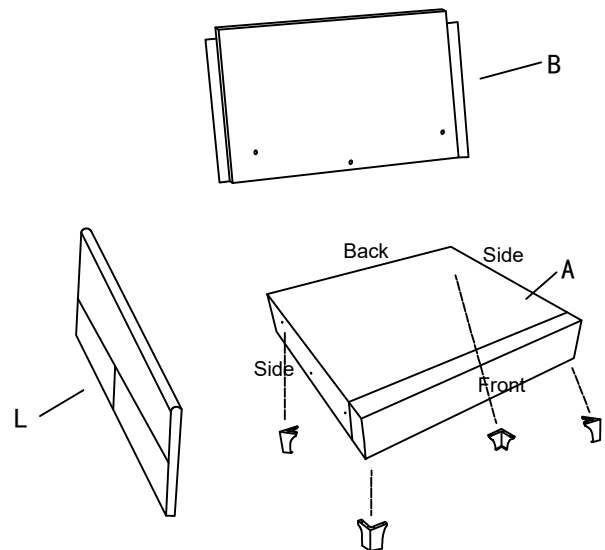
①

Please take the following accessories and the hardware pack out of the accessory "A" on the front side of either box "A" or "B".



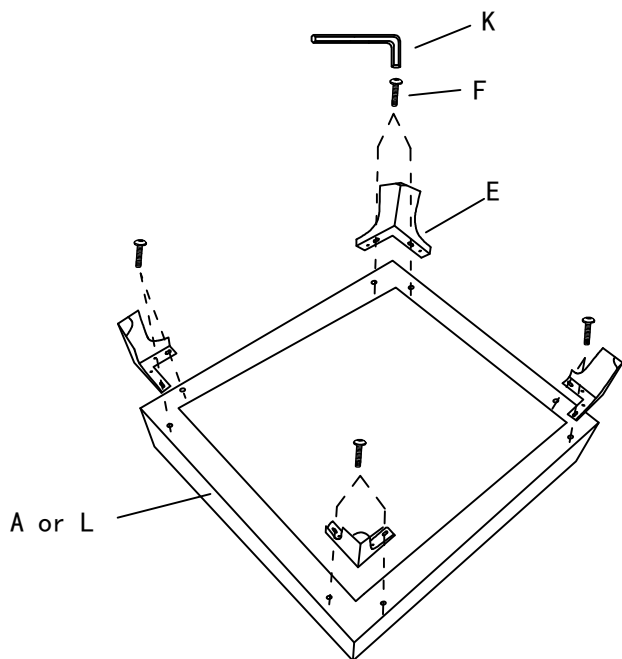
②

Assemble the following accessories to their respective positions respectively.

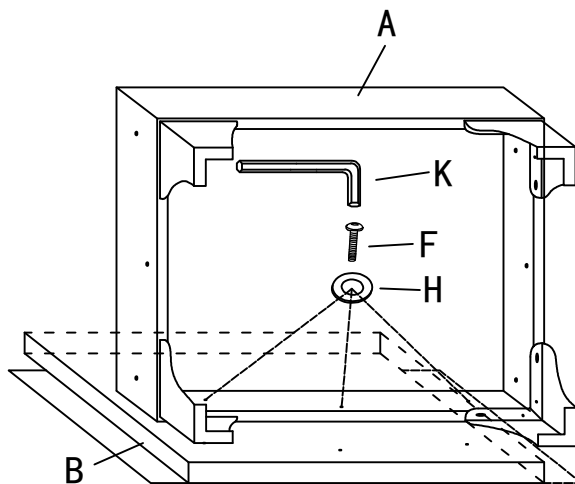


**Warning: Please do not cut the middle of the bag with a knife or sharp object, please cut along the seal!**

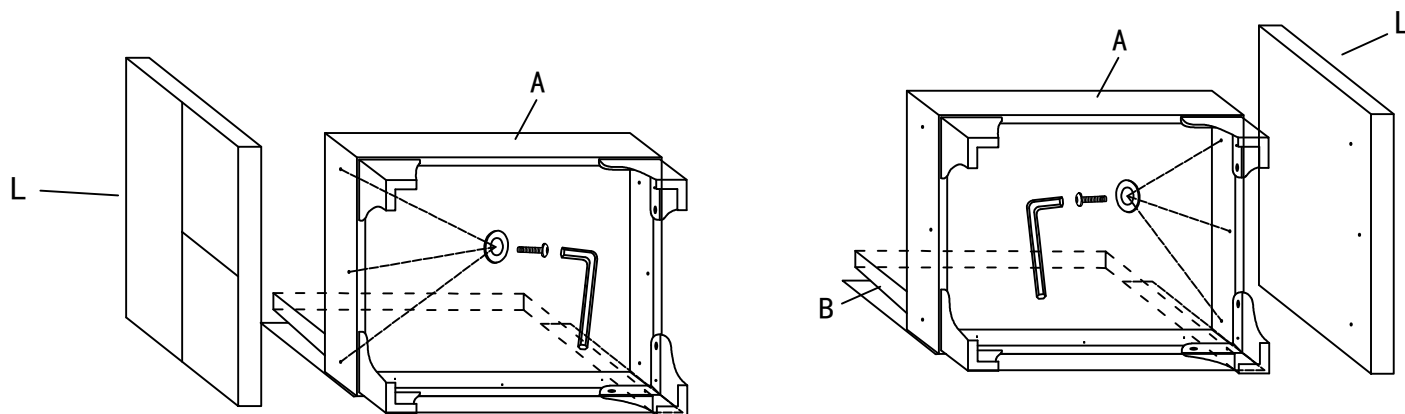
③ First, install the feet on "A" or "L".



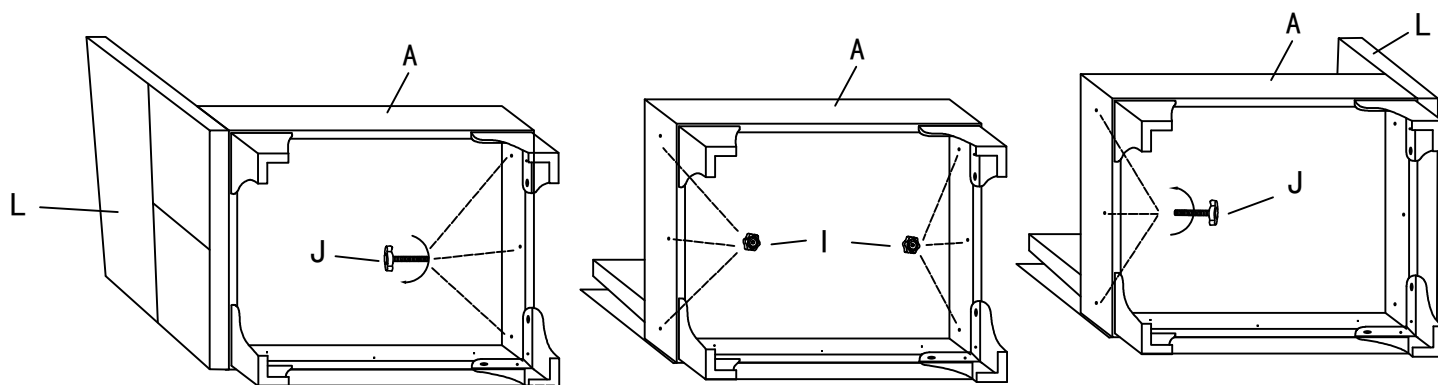
④ Assemble "A" and "B" together using screws and secure them properly. The exact number of assemblies will depend on the configuration you have purchased.



⑤ Take out the two seat frames with backs installed, and install the armrests "L" on the left or right side.



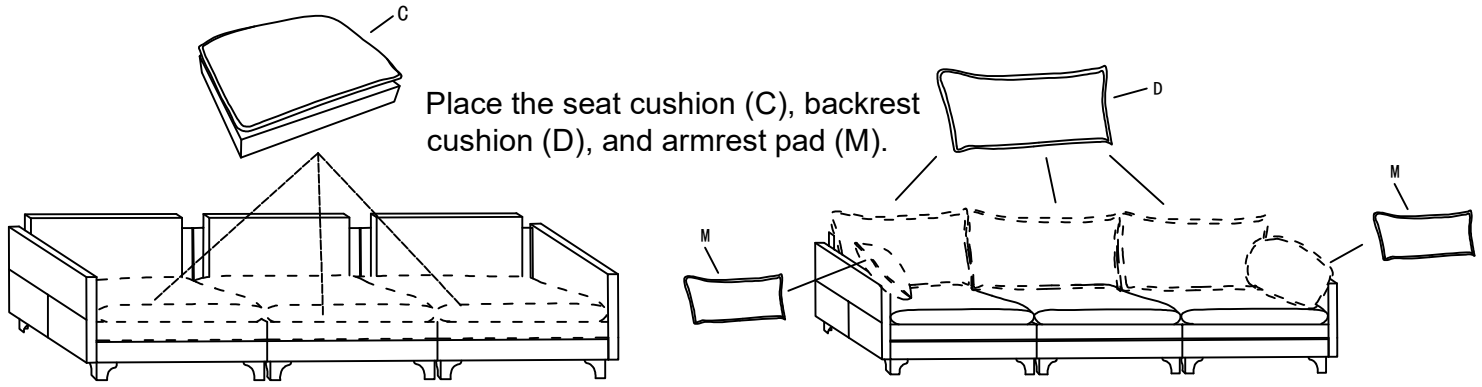
⑥ Connect each seat frame together using the screw "J" and the nut "I". If you don't mind a slight movement, you can also omit the connection.



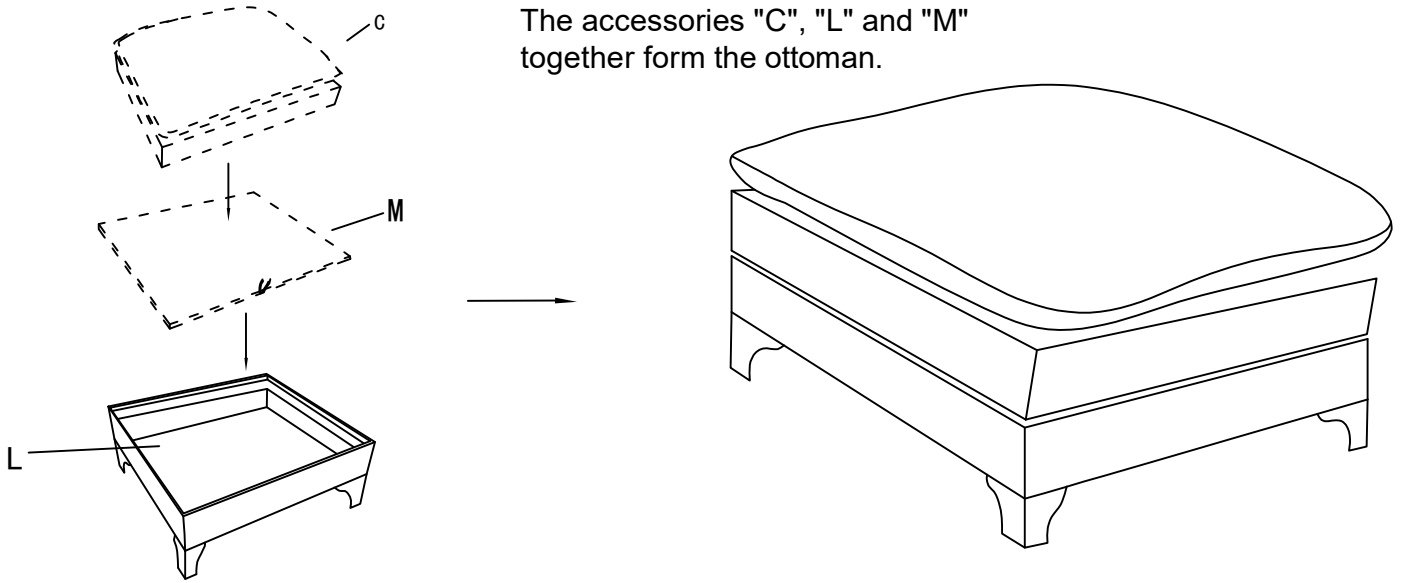
The number of seat frames is the one you have selected. It can be two, three, or even more. **This manual is presented based on a three-seater sofa as an example.**

**Please note: We provide fast after-sales service, don't worry if there is something wrong with the package you received. Please contact us first, we will reply you in time!**

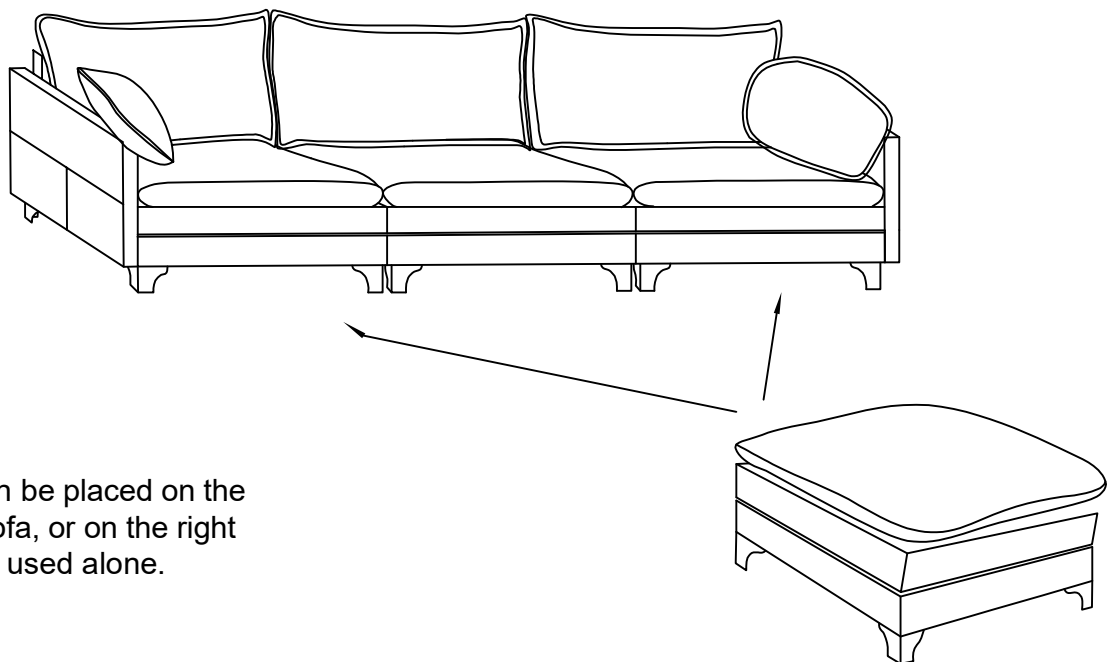
⑦ Use scissors to cut along the seal of the plastic bag, and then remove the seat cushion and the back cushion. Please be careful when cutting, to avoid damaging the fabric inside.



⑧ The accessories "C", "L" and "M" together form the ottoman.



⑨

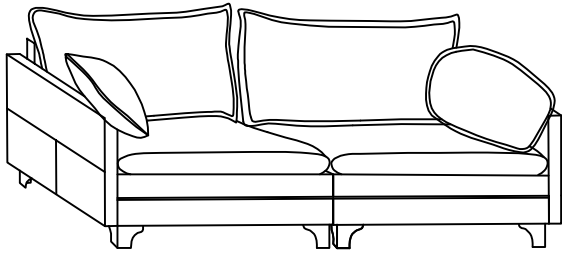


The Ottoman can be placed on the left side of the sofa, or on the right side, or it can be used alone.

**Please note: We provide fast after-sales service, don't worry if there is something wrong with the package you received. Please contact us first, we will reply you in time!**

**We can assemble the sofa sets into various styles based on the quantity purchased. More combinations await your discovery.**

Example 1



A+D

Example 2



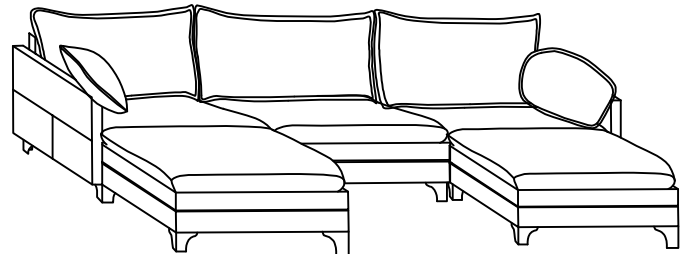
A+C+D

Example 3



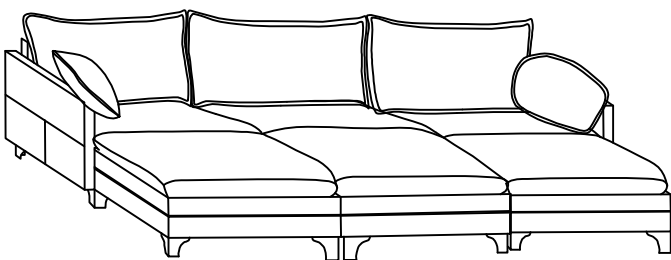
A+B+D

Example 4



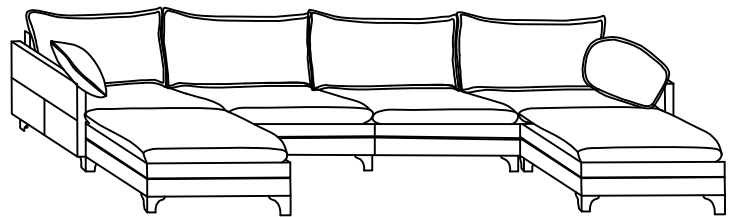
A+B+C+D

Example 5



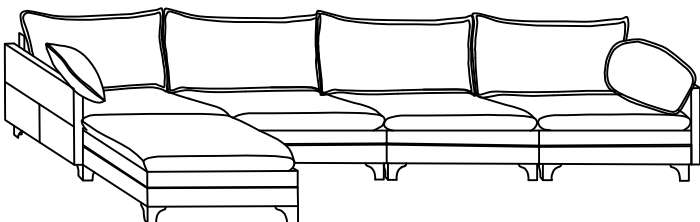
A+B+2C+D

Example 6



A+2B+D

Example 7



2A+C+D

Endless configurations inspired by your imagination